



US00D957144S

(12) **United States Design Patent**
Hwang

(10) **Patent No.:** **US D957,144 S**
(45) **Date of Patent:** **** Jul. 12, 2022**

- (54) **COSMETIC BRUSH**
- (71) Applicant: **F.S.KOREA INDUSTRIES INC.**,
Seoul (KR)
- (72) Inventor: **Jae Kwang Hwang**, Seoul (KR)
- (73) Assignee: **F.S.KOREA INDUSTRIES INC.**,
Seoul (KR)
- (**) Term: **15 Years**
- (21) Appl. No.: **29/720,307**
- (22) Filed: **Jan. 10, 2020**

- D645,665 S * 9/2011 Del Ponte D4/138
- D664,251 S * 7/2012 Ruiz, Sr. D28/7
- D676,666 S * 2/2013 Nelson D4/138
- D758,742 S * 6/2016 Nicoline D4/138
- D776,941 S * 1/2017 Nicoline D4/138
- D782,730 S * 3/2017 Zhang D28/7
- D788,471 S * 6/2017 Dunaway D4/138
- D794,966 S * 8/2017 Salm D4/138
- D795,596 S * 8/2017 Salm D4/138
- D802,308 S * 11/2017 Salm D4/138
- D814,197 S * 4/2018 Salm D4/138
- D817,647 S * 5/2018 Nicoline D4/135
- D819,980 S * 6/2018 Salm D4/138
- D821,760 S * 7/2018 Yan D4/138
- D827,308 S * 9/2018 Nicoline D4/138
- D827,310 S * 9/2018 Allenback D4/138
- D827,311 S * 9/2018 Nicoline D4/138
- D866,986 S * 11/2019 Nicoline D4/138

(30) **Foreign Application Priority Data**

Aug. 12, 2019 (KR) 30-2019-0038524

- (51) **LOC (13) Cl.** **04-99**
- (52) **U.S. Cl.**
USPC **D4/138**
- (58) **Field of Classification Search**
USPC D4/138, 135, 132, 128, 127, 120, 118;
D28/7; D9/439
CPC A46B 5/00; A46B 5/02; A46B 9/02; A46B
9/021; A46B 2200/1046; A46B
2200/1053
See application file for complete search history.

(56) **References Cited**

U.S. PATENT DOCUMENTS

- 3,276,062 A * 10/1966 Palumbo B01L 99/00
15/207.2
- D380,677 S * 7/1997 Joergensen D9/439
- D402,197 S * 12/1998 Poulin D9/712
- D404,647 S * 1/1999 Federighi D9/439
- D446,212 S * 8/2001 Chang D14/411
- D522,866 S * 6/2006 Bakic D9/529
- D522,898 S * 6/2006 Yarski D10/113.2
- D630,437 S * 1/2011 Carey D4/135

* cited by examiner

Primary Examiner — Michelle E. Wilson

Assistant Examiner — Clese Moore, Jr.

(74) *Attorney, Agent, or Firm* — Heedong Chae; Lucem,
PC

(57) **CLAIM**

The ornamental design for a cosmetic brush, as shown and described.

DESCRIPTION

FIG. 1 is a perspective view of the cosmetic brush showing my new design;
 FIG. 2 is a front elevational view thereof;
 FIG. 3 is a rear elevational view thereof;
 FIG. 4 is a left side view thereof;
 FIG. 5 is a right side view thereof;
 FIG. 6 is a top plan view thereof; and,
 FIG. 7 is a bottom plan view thereof.
 The broken lines throughout the drawing figures depict portions of the cosmetic brush that form no part of the claimed design.

1 Claim, 6 Drawing Sheets

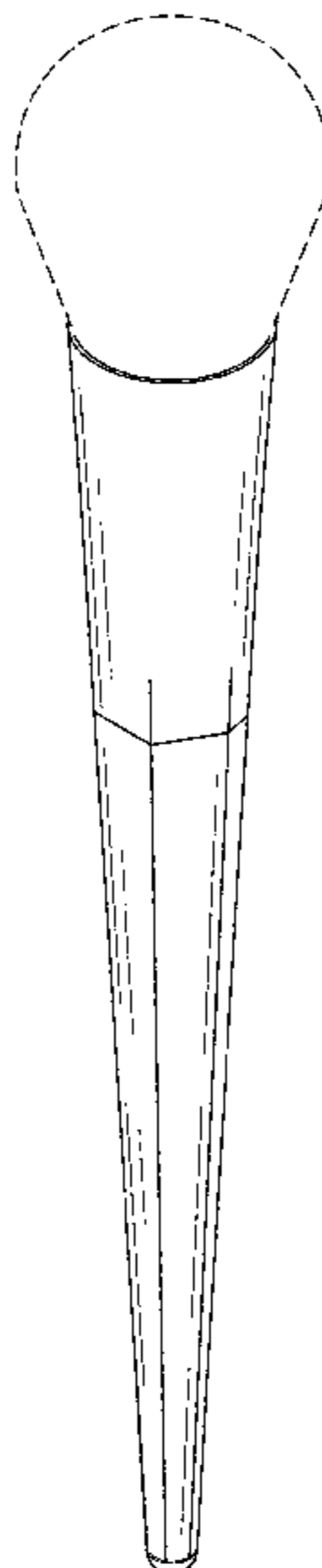


FIG. 1

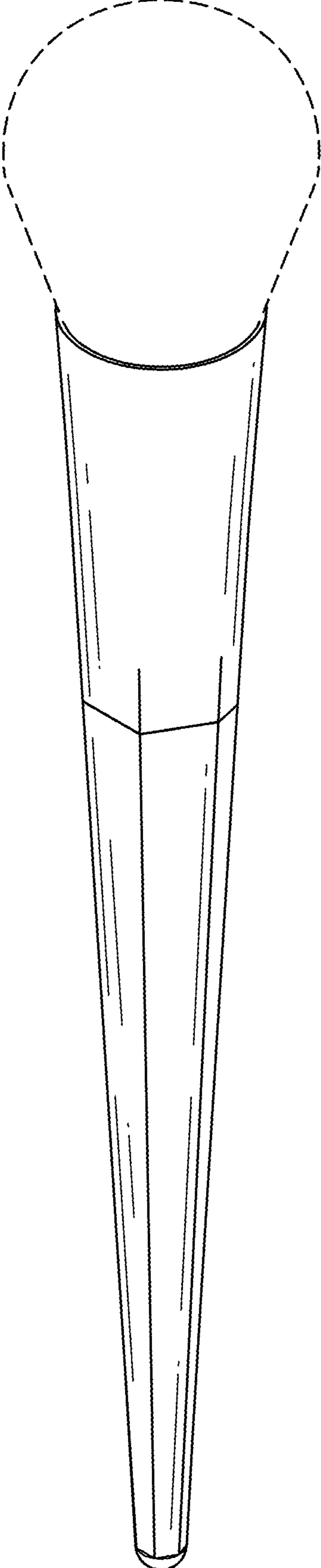


FIG. 2

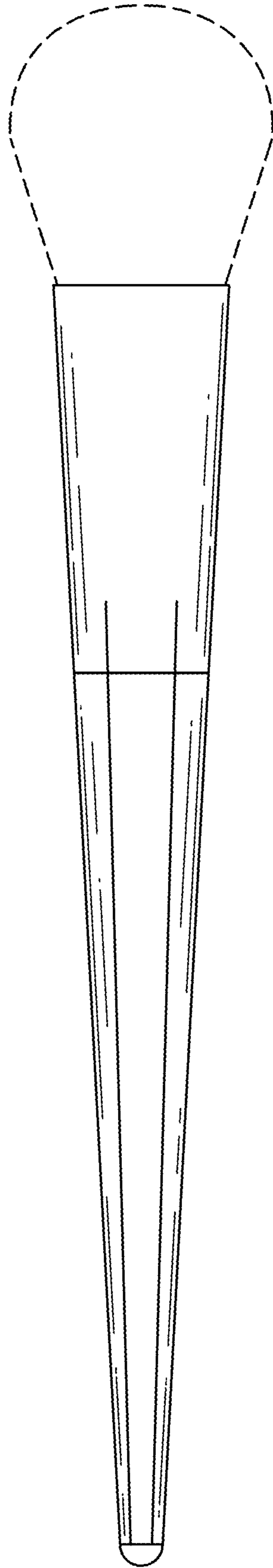


FIG. 3

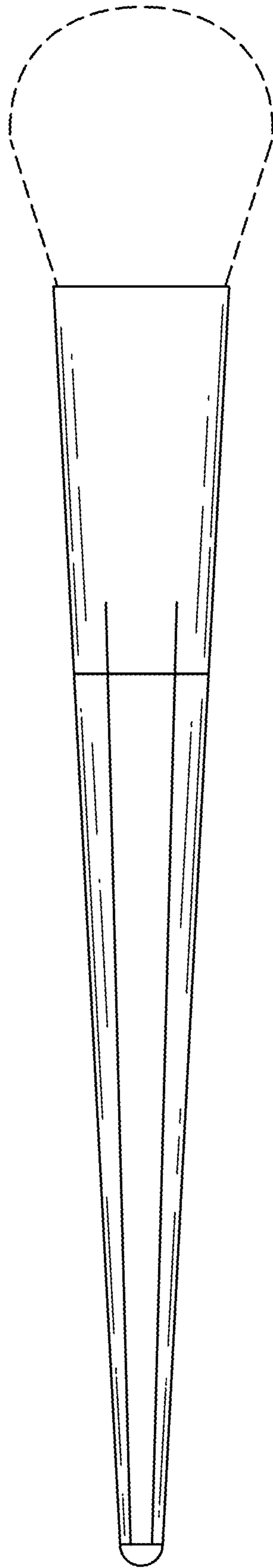


FIG. 4

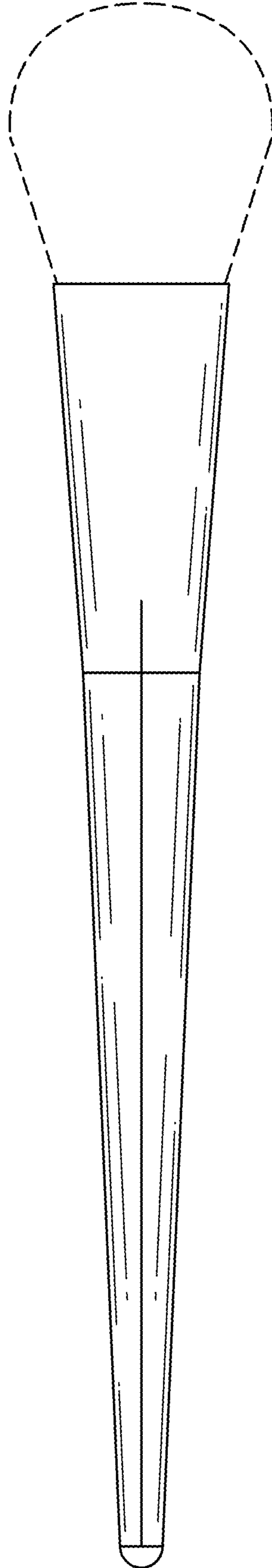


FIG. 5

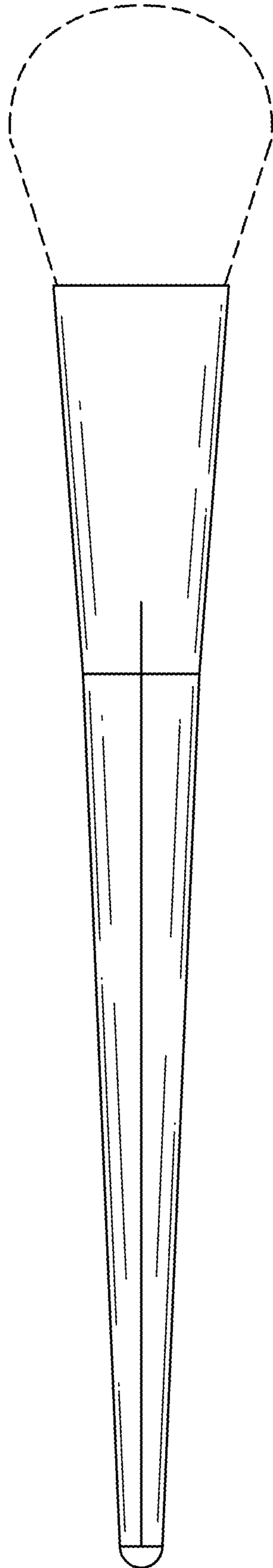


FIG. 6

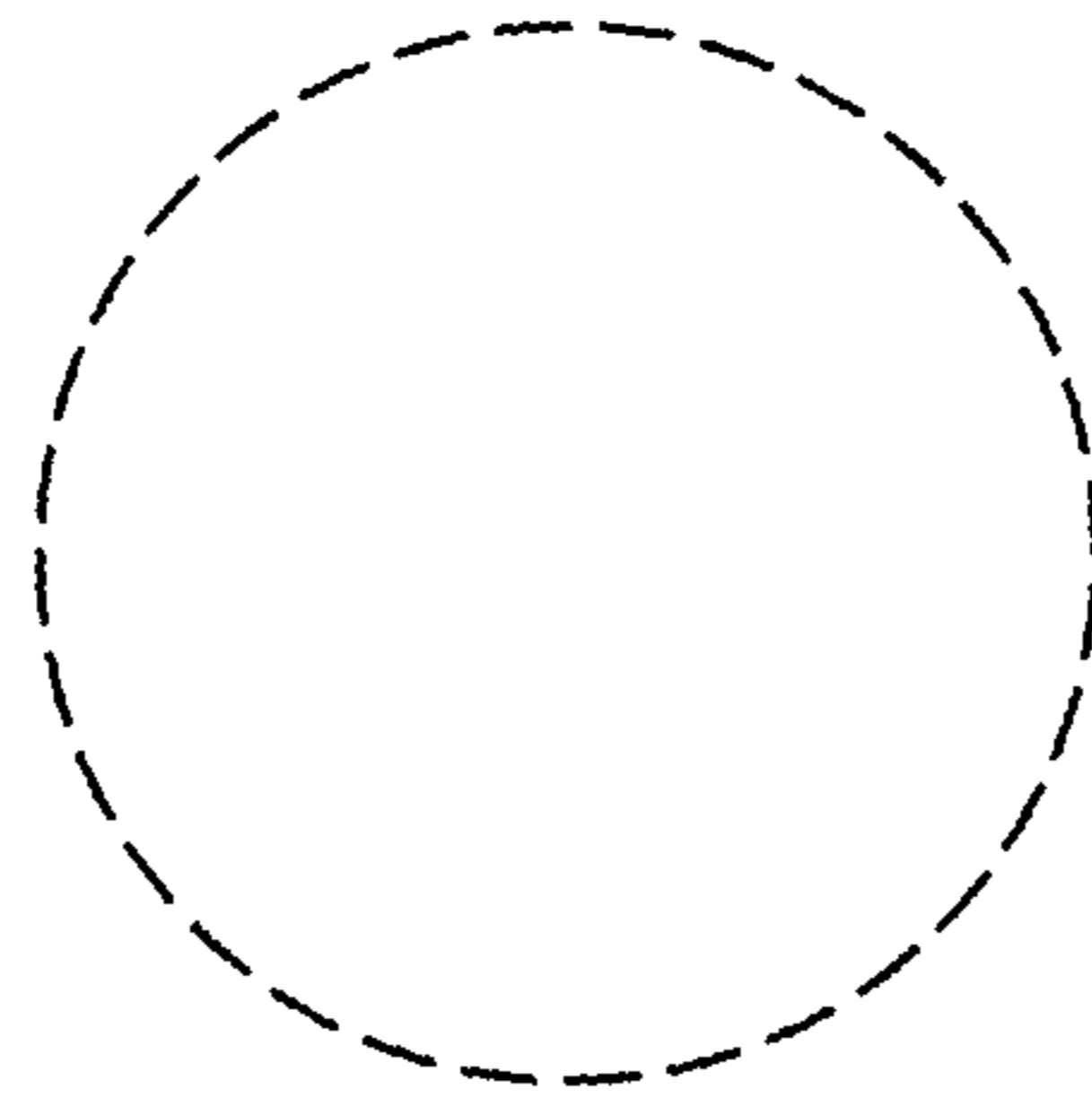


FIG. 7

