



US00D957142S

(12) **United States Design Patent**
Kan

(10) **Patent No.:** **US D957,142 S**

(45) **Date of Patent:** **** Jul. 12, 2022**

(54) **SILICONE SCALP MASSAGER BRUSH**

(71) Applicant: **Lohas Silicone Rubber Co., Ltd,**
Shenzhen (CN)

(72) Inventor: **Guangmin Kan,** Mingguang (CN)

(**) Term: **15 Years**

(21) Appl. No.: **29/752,760**

(22) Filed: **Sep. 29, 2020**

(51) **LOC (13) Cl.** **04-02**

(52) **U.S. Cl.**
USPC **D4/134**

(58) **Field of Classification Search**
USPC D4/100, 102, 121, 127, 126, 128, 129,
D4/130, 132, 133, 134, 135, 136, 138,
D4/199; D24/211, 214, 215; D30/158,
D30/159, 160; D32/35; D21/623
CPC A46B 2200/1006; A46B 2200/102; A46B
2200/10

See application file for complete search history.

(56) **References Cited**

U.S. PATENT DOCUMENTS

D164,207 S	*	8/1951	Teague et al.	D4/100
D321,434 S	*	11/1991	Strickler	D4/136
D496,077 S	*	9/2004	Rutherford	D21/623
D501,898 S	*	2/2005	Rutherford	D21/623
D619,371 S	*	7/2010	Nanda	D4/113
D619,372 S	*	7/2010	Nanda	D4/113

D699,903 S	*	2/2014	Singer	D30/159
D763,519 S	*	8/2016	Anderson	D30/160
D807,590 S	*	1/2018	Wills	D30/160
D829,445 S	*	10/2018	Kern	D4/127
D848,011 S	*	5/2019	Champeval	D24/215
D853,576 S	*	7/2019	Ma	D24/215
D872,294 S	*	1/2020	Yu	D24/214
D897,688 S	*	10/2020	Li	D4/128

FOREIGN PATENT DOCUMENTS

CN 305855362 * 6/2020

* cited by examiner

Primary Examiner — Karen E Eldridge Powers

(57) **CLAIM**

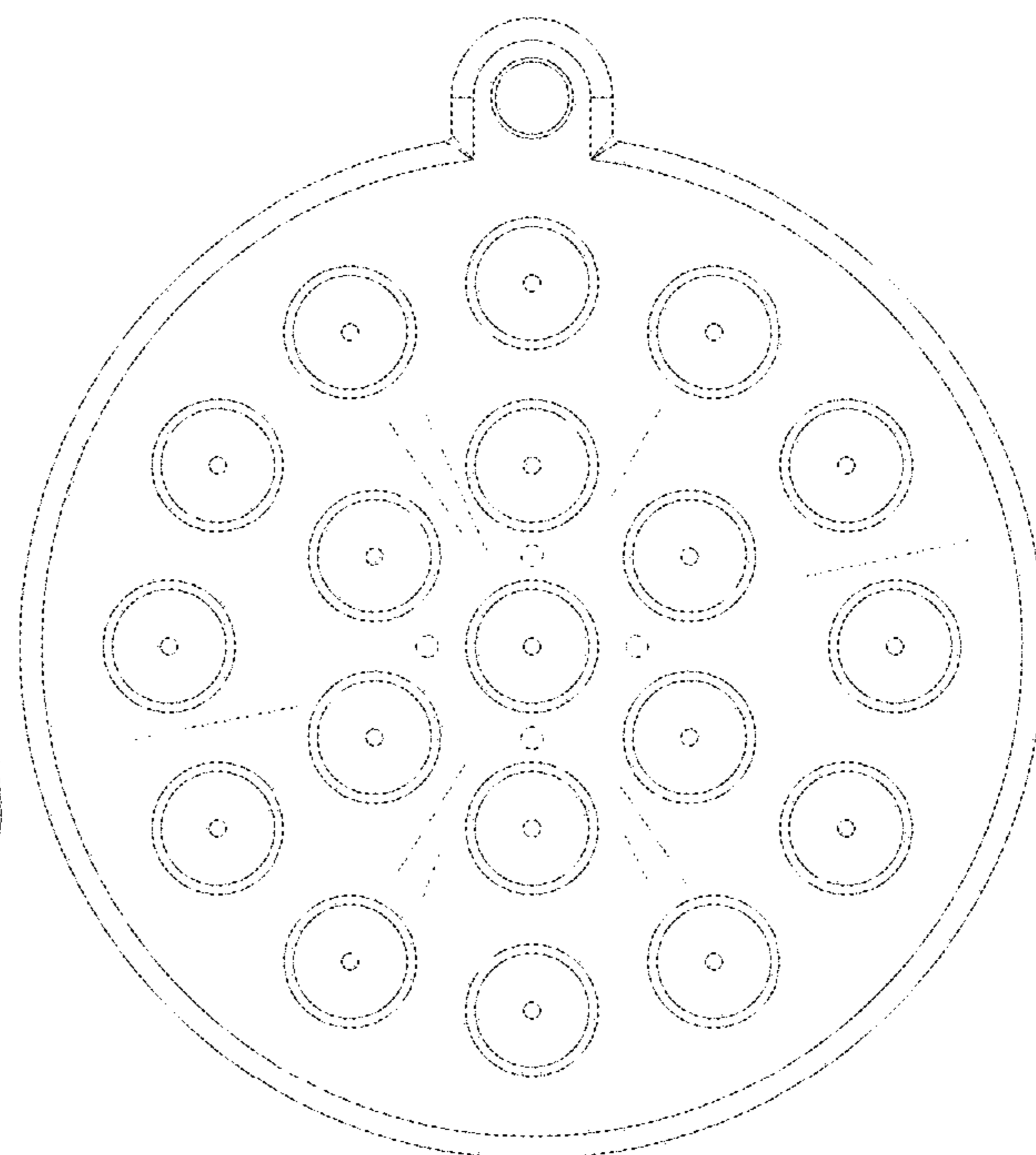
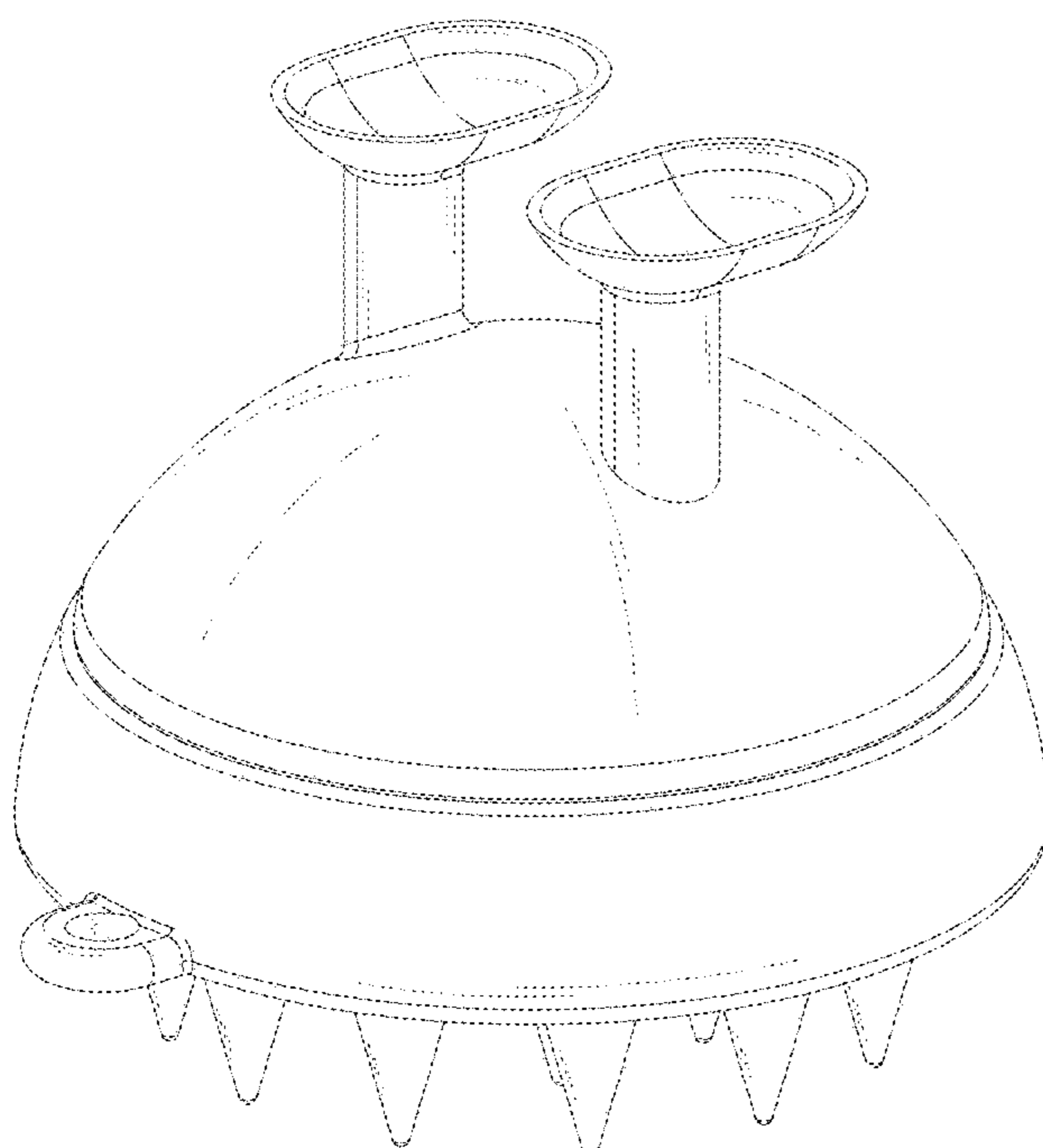
The ornamental design for a silicone scalp massager brush, as shown and described.

DESCRIPTION

FIG. 1 is a perspective view of a silicone scalp massager brush showing my new design;
FIG. 2 is a front elevation view thereof;
FIG. 3 is a back elevation view thereof;
FIG. 4 is a left side elevation view thereof;
FIG. 5 is a right side elevation view thereof;
FIG. 6 is a top plan view thereof; and,
FIG. 7 is a bottom plan view thereof.

The broken lines shown in the drawings depict portions of the silicone scalp massager brush in which the design is embodied that form no part of the claimed design.

1 Claim, 7 Drawing Sheets



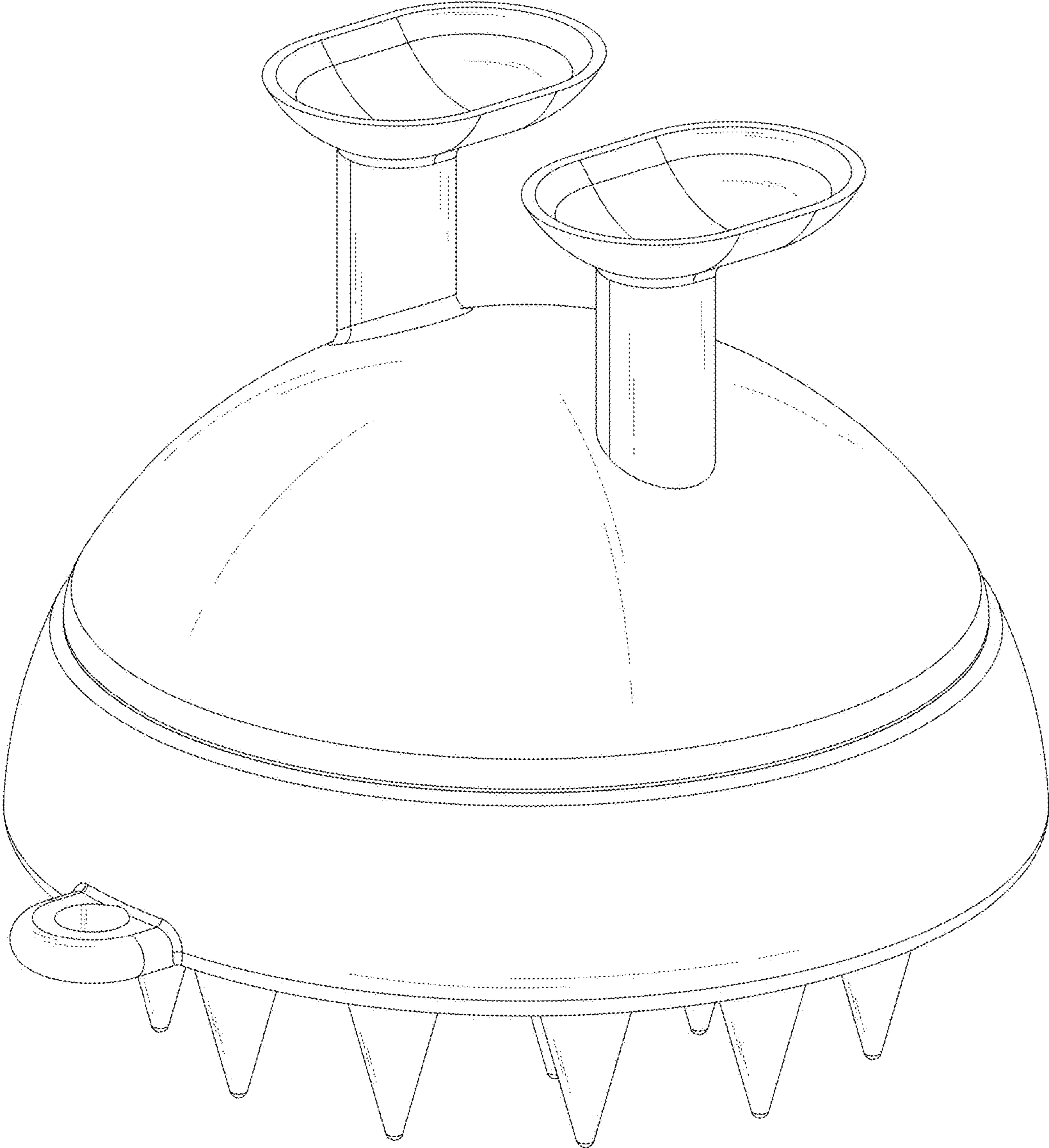


FIG.1

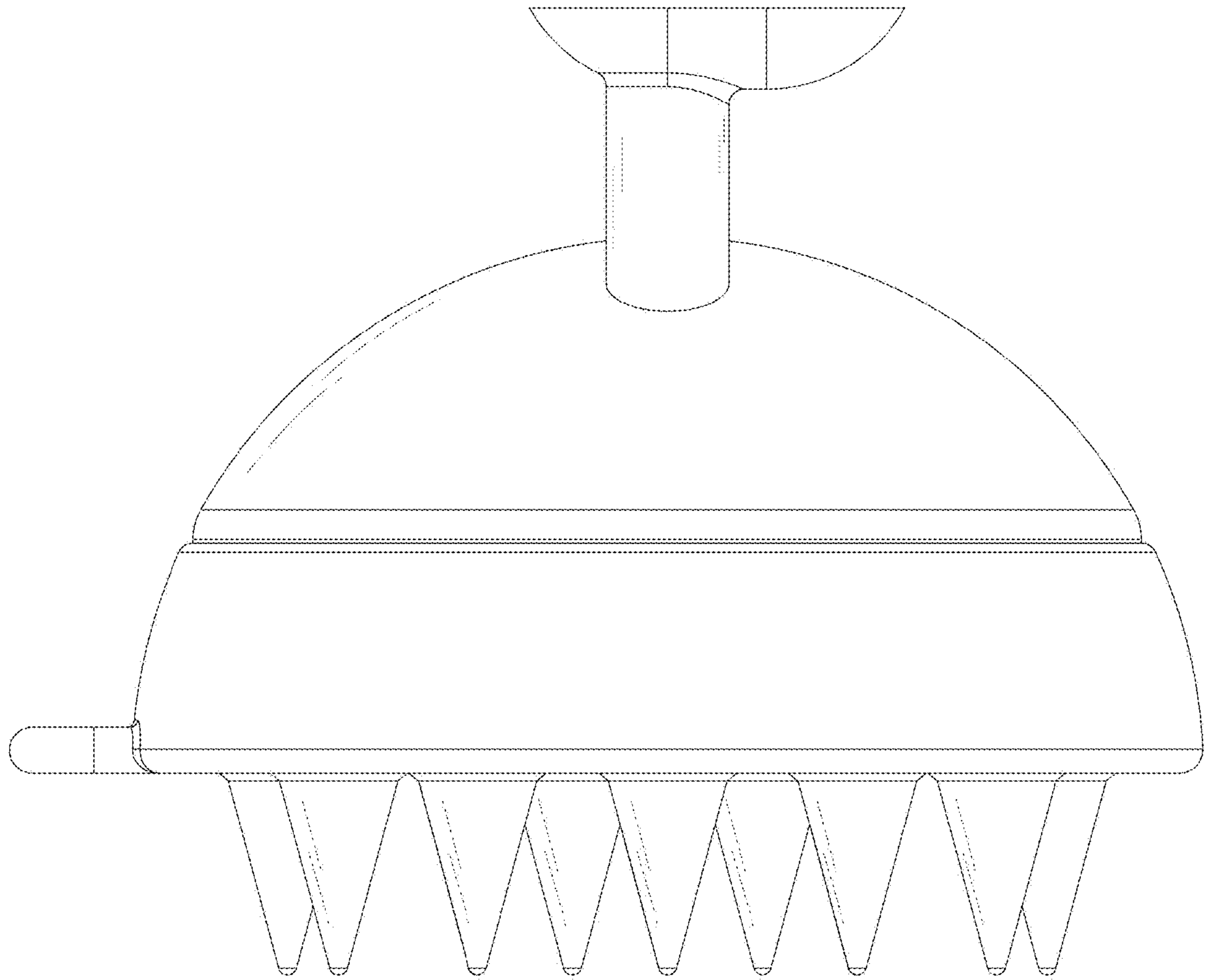


FIG.2

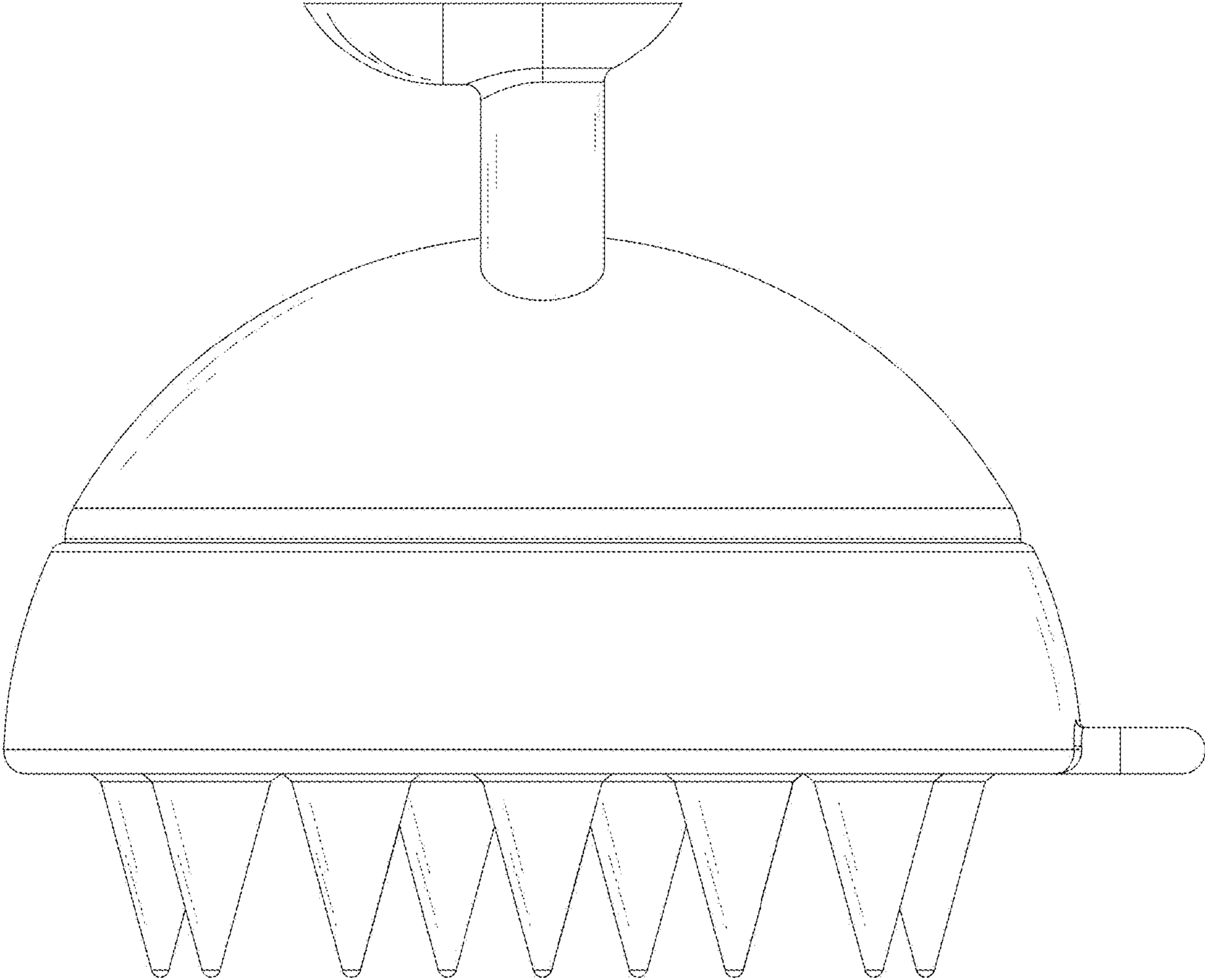


FIG. 3

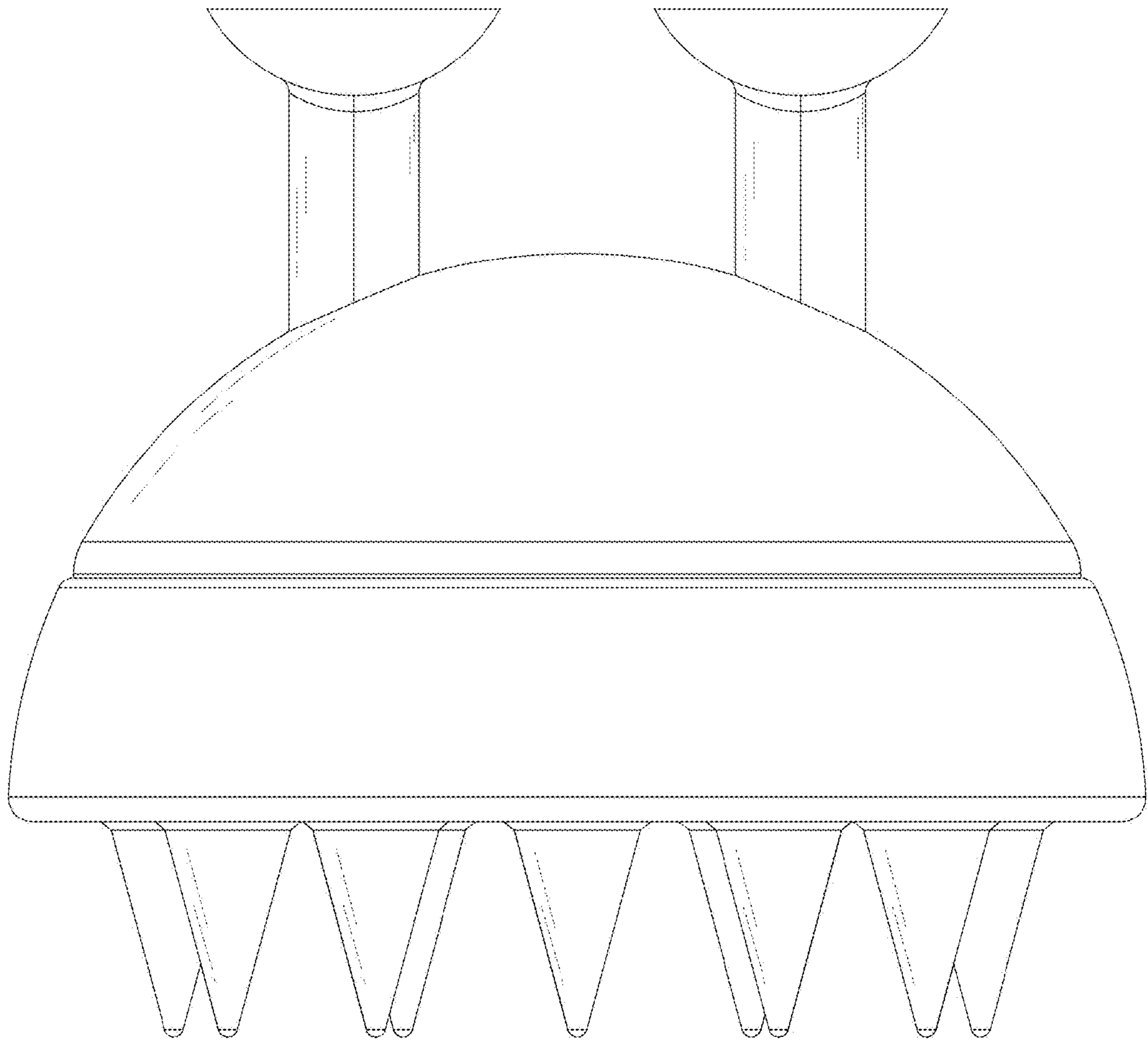


FIG.4

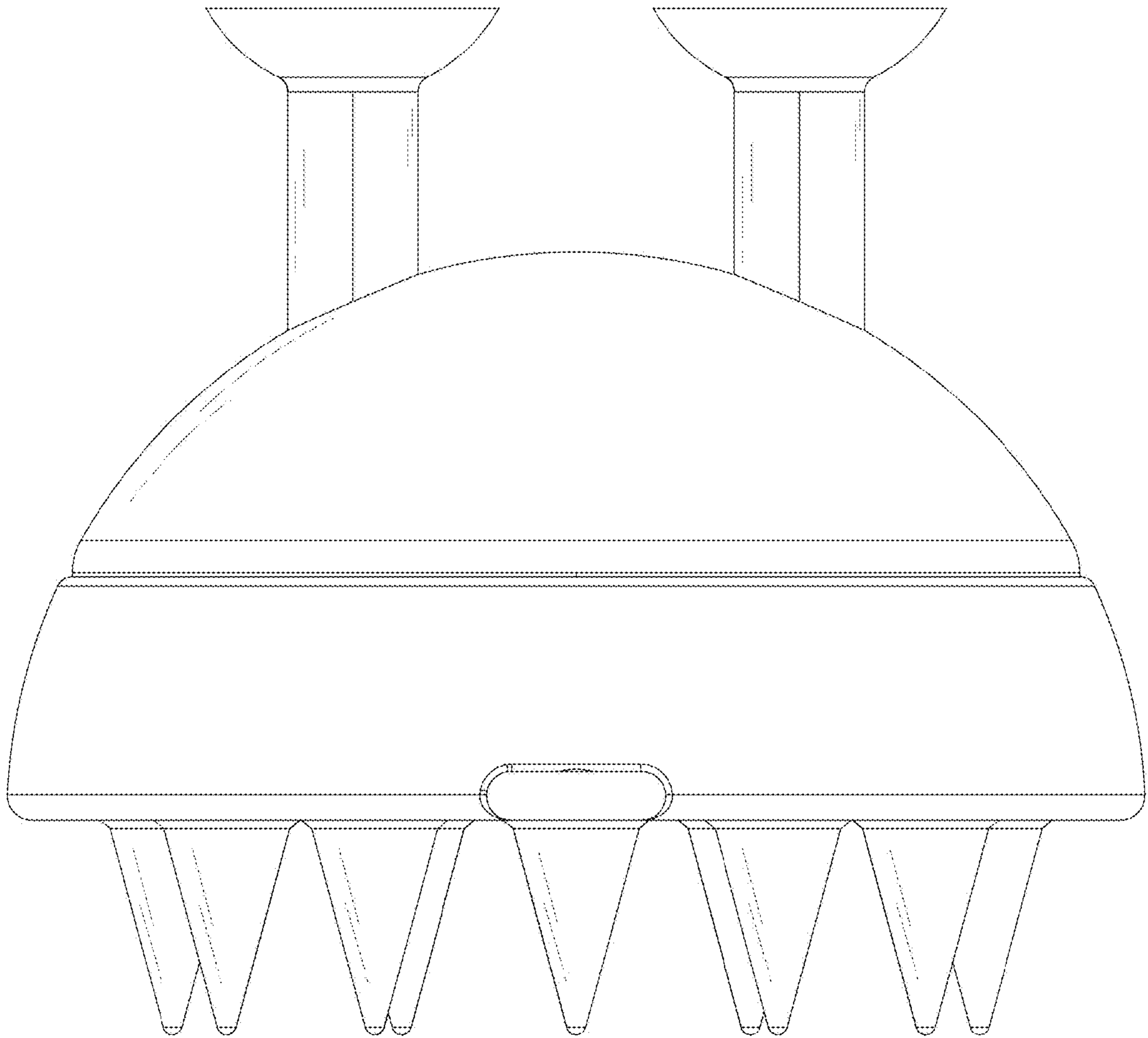


FIG. 5

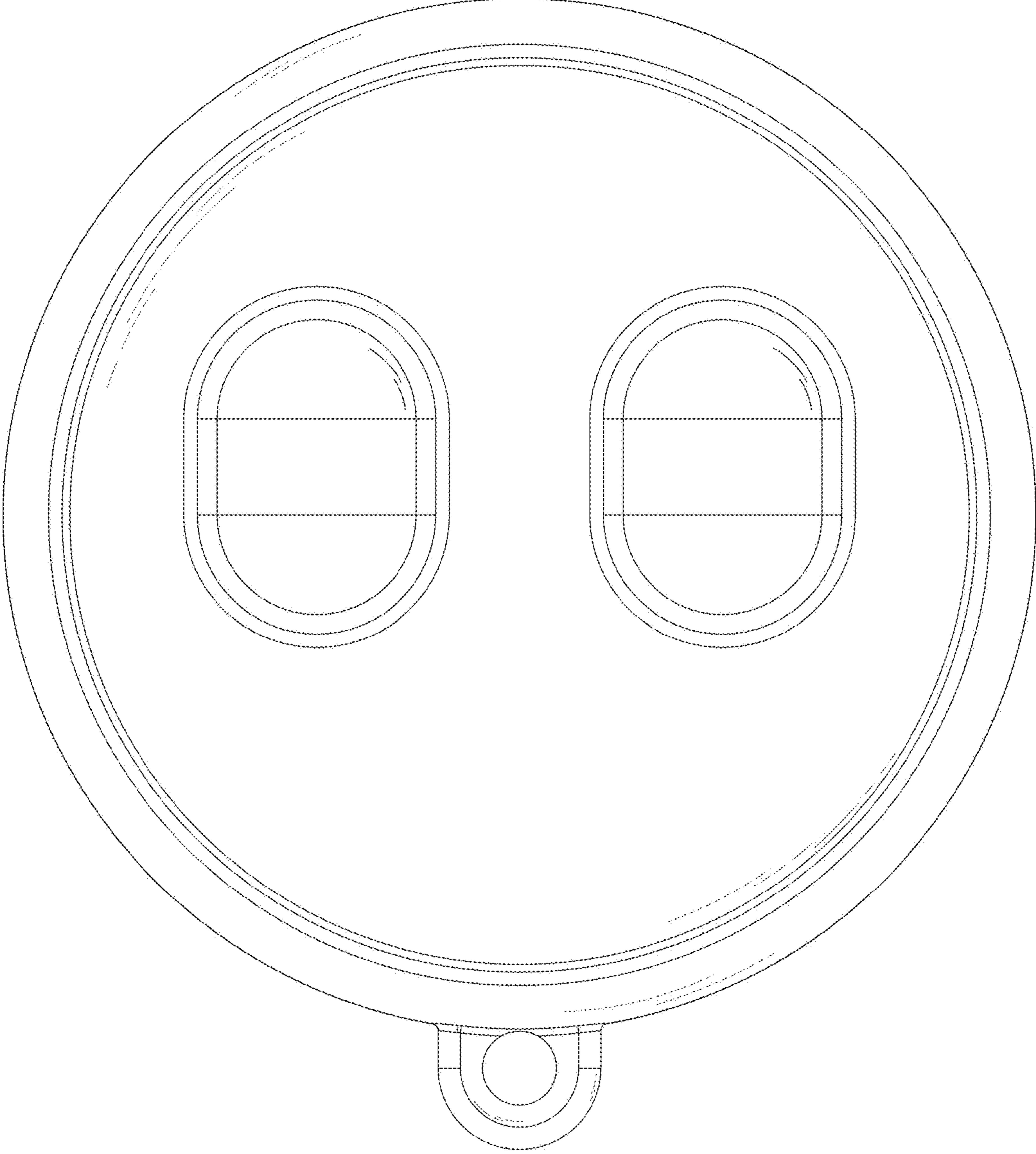


FIG.6

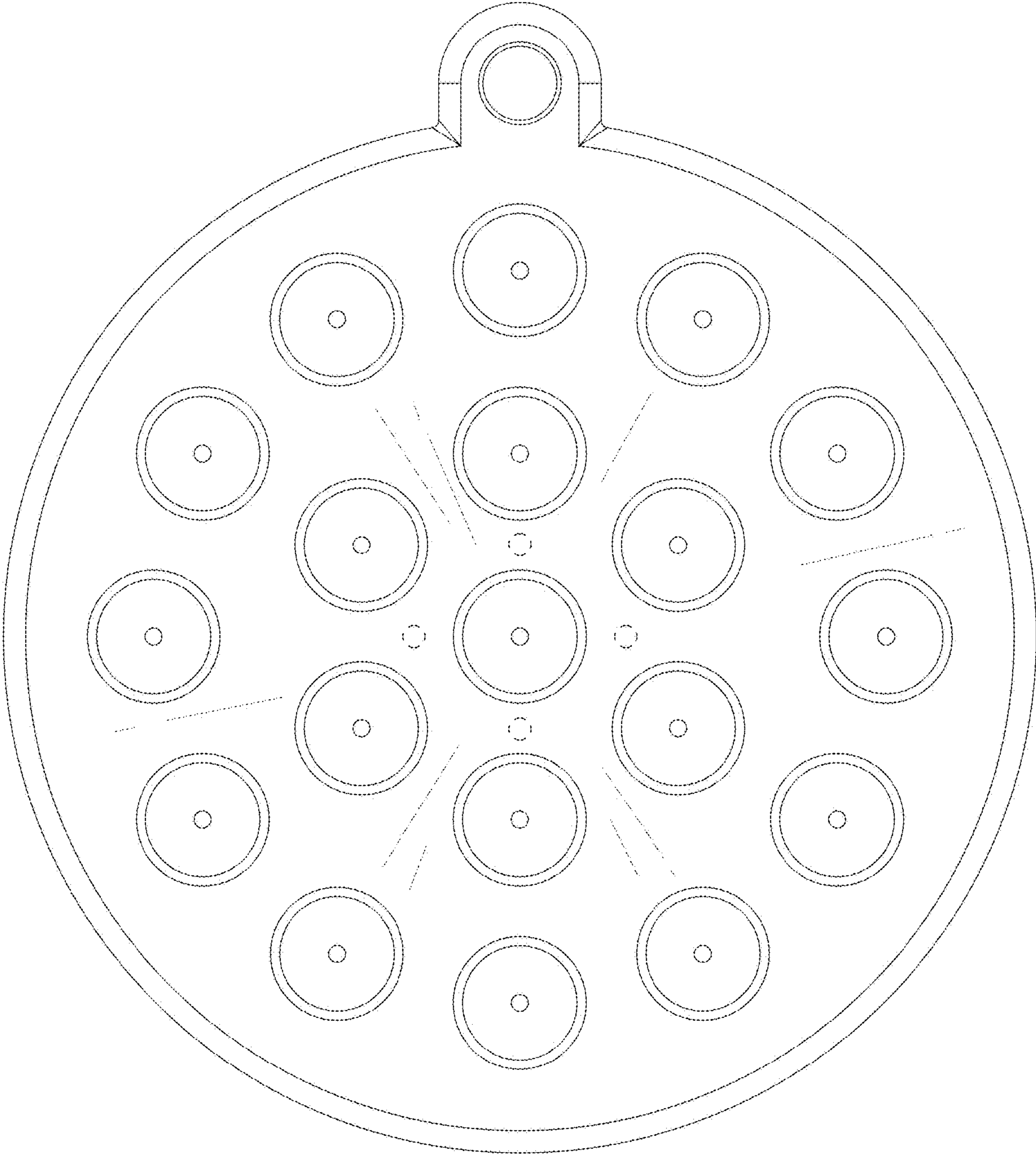


FIG. 7