



US00D957134S

(12) **United States Design Patent**  
**Shalev et al.**

(10) **Patent No.:** **US D957,134 S**  
(45) **Date of Patent:** **\*\* Jul. 12, 2022**

- (54) **DUAL-SIDED TOOTHBRUSH**
- (71) Applicant: **Elli & Nooli, LLC**, Los Angeles, CA (US)
- (72) Inventors: **Alma Elli Shalev**, Los Angeles, CA (US); **Maya Shalev**, Los Angeles, CA (US)
- (73) Assignee: **Elli & Nooli, LLC**, Los Angeles, CA (US)
- (\*\*) Term: **15 Years**
- (21) Appl. No.: **29/766,497**
- (22) Filed: **Jan. 15, 2021**

- 878,486 A \* 2/1908 Crowell ..... A46B 11/0093  
15/248.1
  - 1,501,020 A \* 7/1924 Small ..... A46B 11/0093  
15/248.1
  - 1,811,660 A \* 6/1931 Bausher ..... G09F 3/06  
40/314
  - D92,616 S \* 6/1934 Largever ..... D4/107
  - D165,248 S \* 11/1951 Sherrod et al. .... D4/104
- (Continued)

**FOREIGN PATENT DOCUMENTS**

- CN 303761240 \* 8/2016
  - CN 304259179 \* 8/2017
- (Continued)

*Primary Examiner* — Karen E Eldridge Powers  
(74) *Attorney, Agent, or Firm* — Ference & Associates LLC

**Related U.S. Application Data**

- (62) Division of application No. 29/674,781, filed on Dec. 26, 2018, now Pat. No. Des. 907,927.
- (51) **LOC (13) Cl.** ..... **04-02**
- (52) **U.S. Cl.**  
USPC ..... **D4/106**
- (58) **Field of Classification Search**  
USPC ..... D4/101, 104, 105, 106, 107, 108, 109,  
D4/110, 111, 112, 113, 138, 199;  
15/110; D28/76, 88, 89  
CPC .... A46B 3/00; A46B 9/02; A46B 9/04; A46B  
2200/1066; A46B 2200/1073; A46B  
2200/1086; A46B 17/00; A46B 15/0048  
See application file for complete search history.

(57) **CLAIM**

The ornamental design for a dual-sided toothbrush, as shown and described herein.

**DESCRIPTION**

FIG. 1 illustrates a front perspective view of a dual-sided toothbrush.

FIG. 2 illustrates a top view of the dual-sided toothbrush.

FIG. 3 illustrates a bottom view of the dual-sided toothbrush.

FIG. 4 illustrates a right-side view of the dual-sided toothbrush.

FIG. 5 illustrates a left-side view of the dual-sided toothbrush.

FIG. 6 illustrates a front view of the dual-sided toothbrush; and,

FIG. 7 illustrates a rear view of the dual-sided toothbrush.

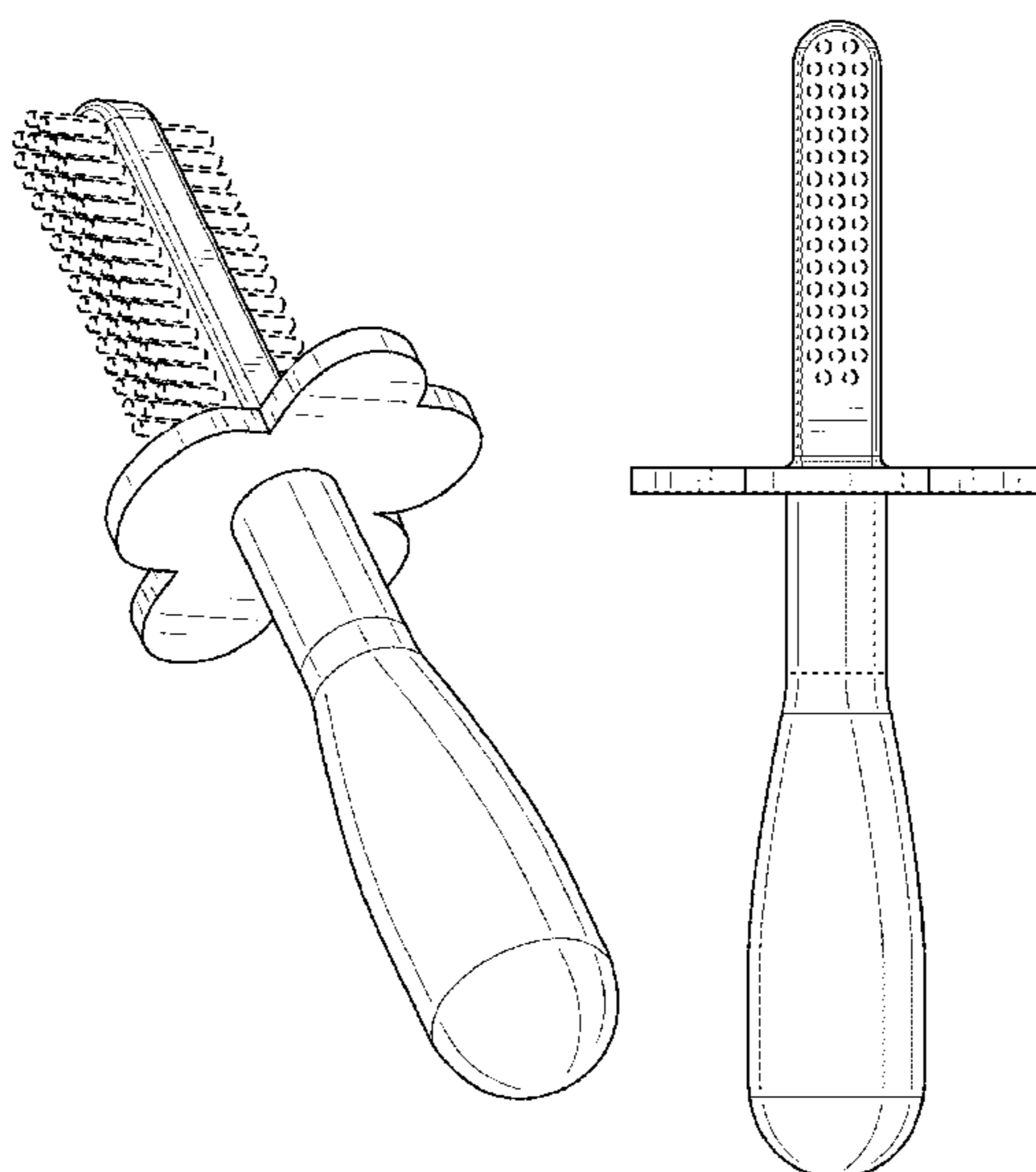
The features shown in broken lines in the drawings illustrate portions of the article of manufacture in which the design is embodied or to which it is applied that form no part of the claim.

(56) **References Cited**

**U.S. PATENT DOCUMENTS**

- 416,401 A \* 12/1889 Cushman ..... A46B 15/0002  
15/105
- 611,788 A \* 10/1898 Lincoln ..... A46B 11/0006  
401/191
- 876,317 A \* 1/1908 Booth ..... 40/314

**1 Claim, 4 Drawing Sheets**



(56)

**References Cited**

U.S. PATENT DOCUMENTS

D301,937	S *	7/1989	Thompson	.....	D4/104
D311,454	S *	10/1990	Rethman	.....	D4/106
D315,831	S *	4/1991	Kawano	.....	D4/104
5,875,516	A *	3/1999	Blue	.....	A46B 11/0093 132/308
D453,879	S *	2/2002	Carr	.....	D4/107
6,345,405	B1 *	2/2002	Brackin	.....	A46B 7/023 15/106
D588,363	S *	3/2009	Nanda	.....	D4/104
D588,364	S *	3/2009	Nanda	.....	D4/107
D592,403	S *	5/2009	Nanda	.....	D4/104
D628,806	S *	12/2010	van der Lande	.....	D4/104
D690,516	S *	10/2013	Erskine-Smith	.....	D4/104
D694,524	S *	12/2013	Erskine-Smith	.....	D4/104
D734,038	S *	7/2015	Suher	.....	D4/106
D752,871	S *	4/2016	Montebelli	.....	D4/104
D762,986	S *	8/2016	May	.....	D4/104
D799,280	S *	10/2017	Shalev	.....	D7/653
D799,910	S *	10/2017	Shalev	.....	D7/653
D853,731	S *	7/2019	Zhang	.....	D4/104
2010/0266983	A1 *	10/2010	Ng	.....	A61C 3/14 433/114
2012/0298135	A1 *	11/2012	Luttrell	.....	A46B 17/02 134/6

FOREIGN PATENT DOCUMENTS

CN	304383121	*	12/2017
CN	304621877	*	5/2018
CN	305127834	*	4/2019

\* cited by examiner

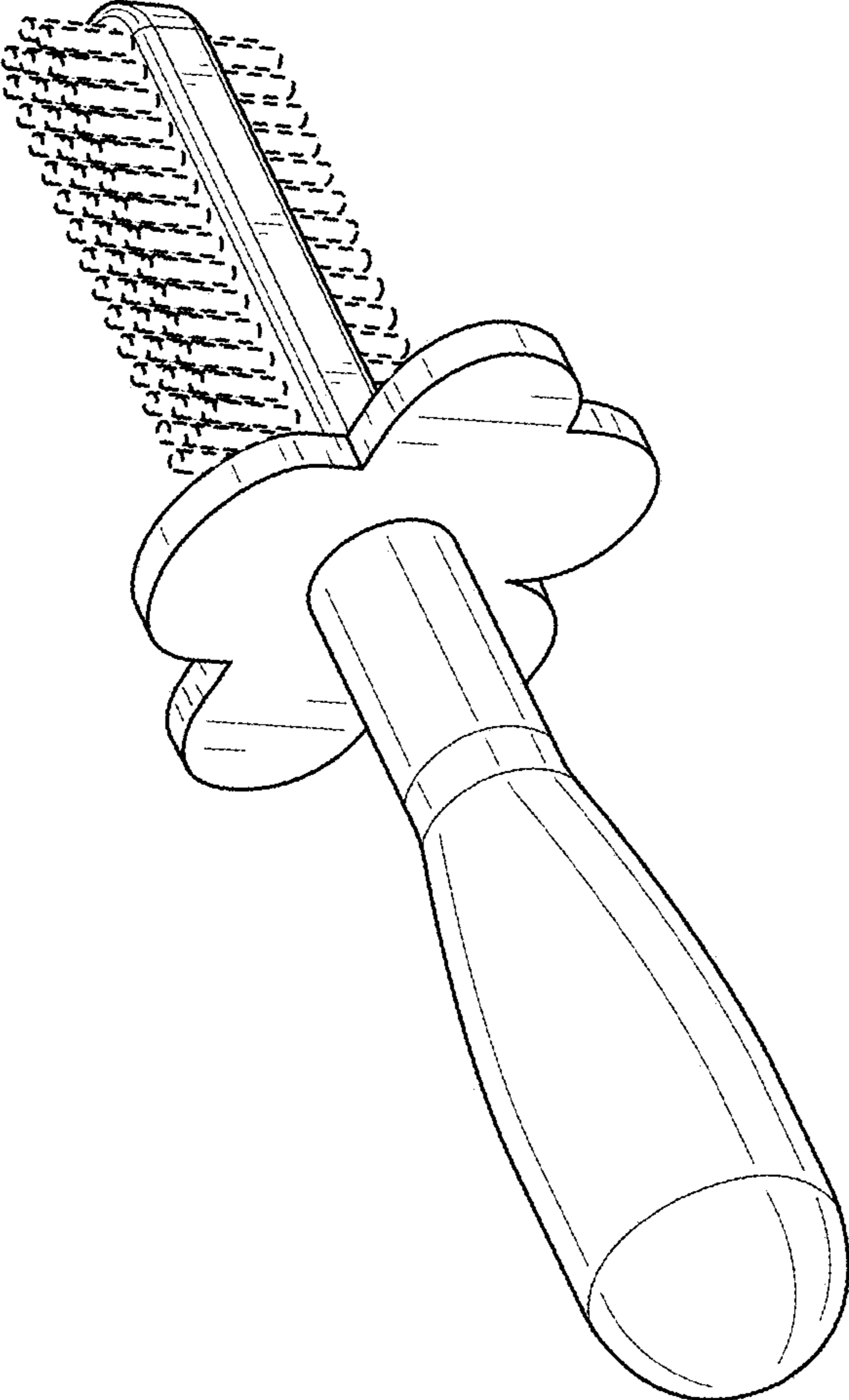


FIG. 1

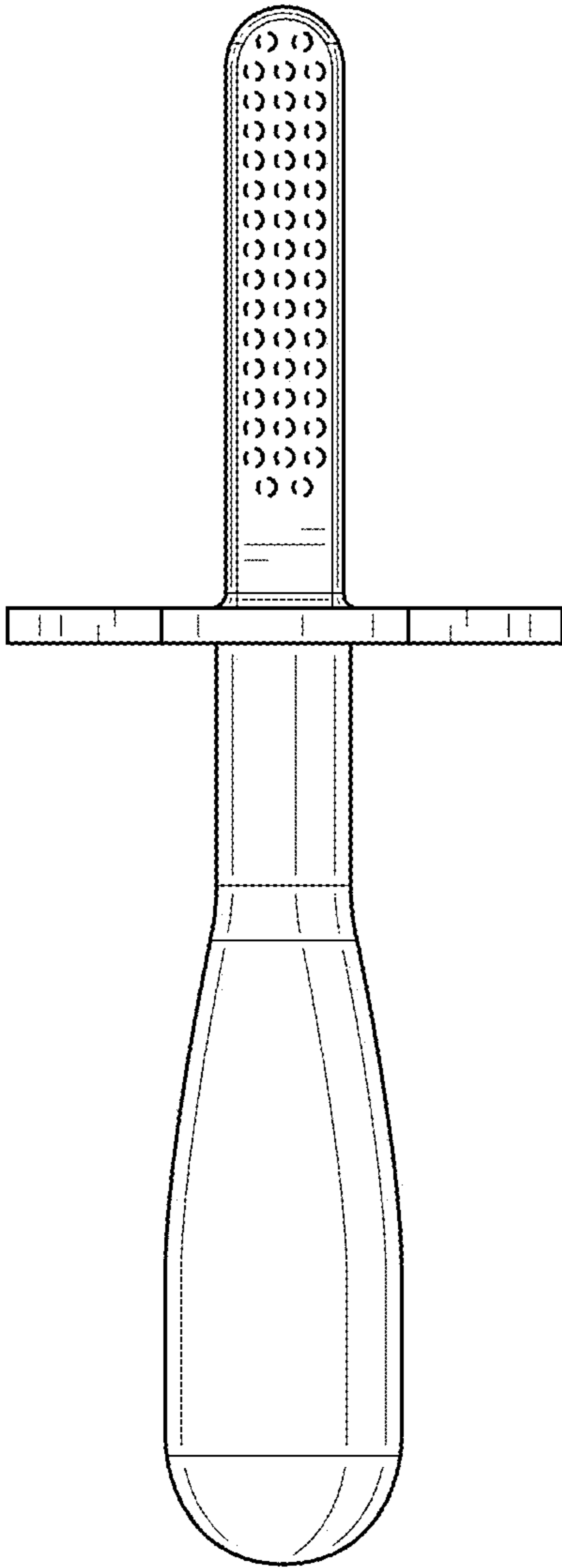


FIG. 2

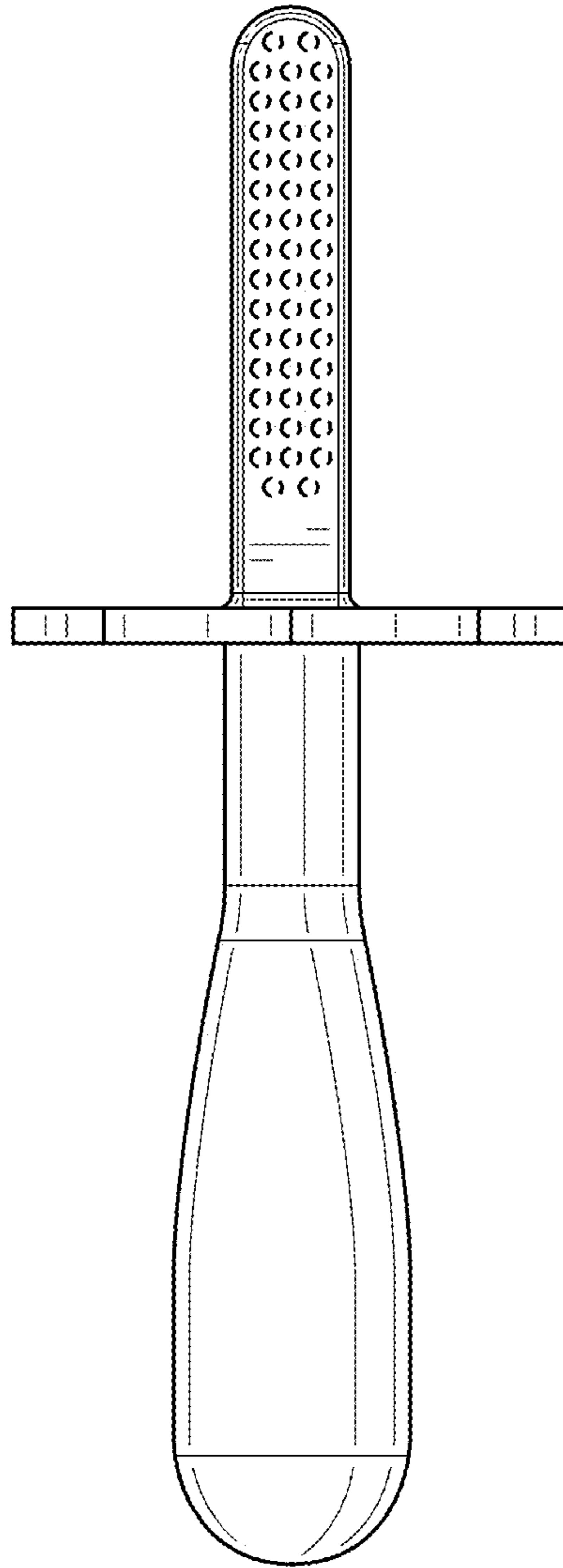


FIG. 3

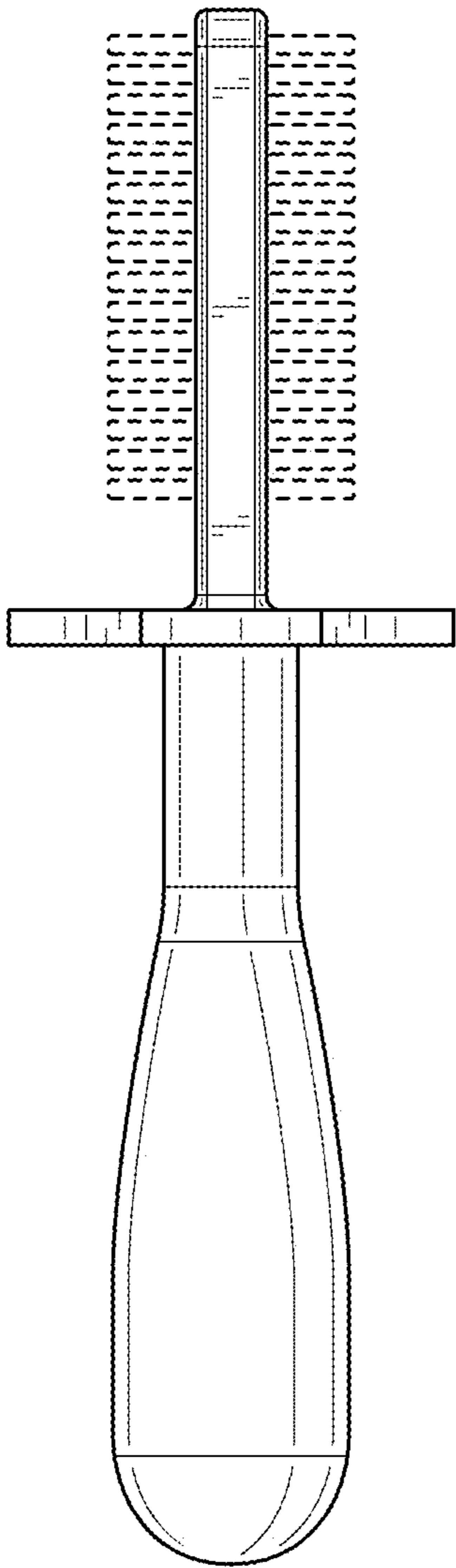


FIG. 4

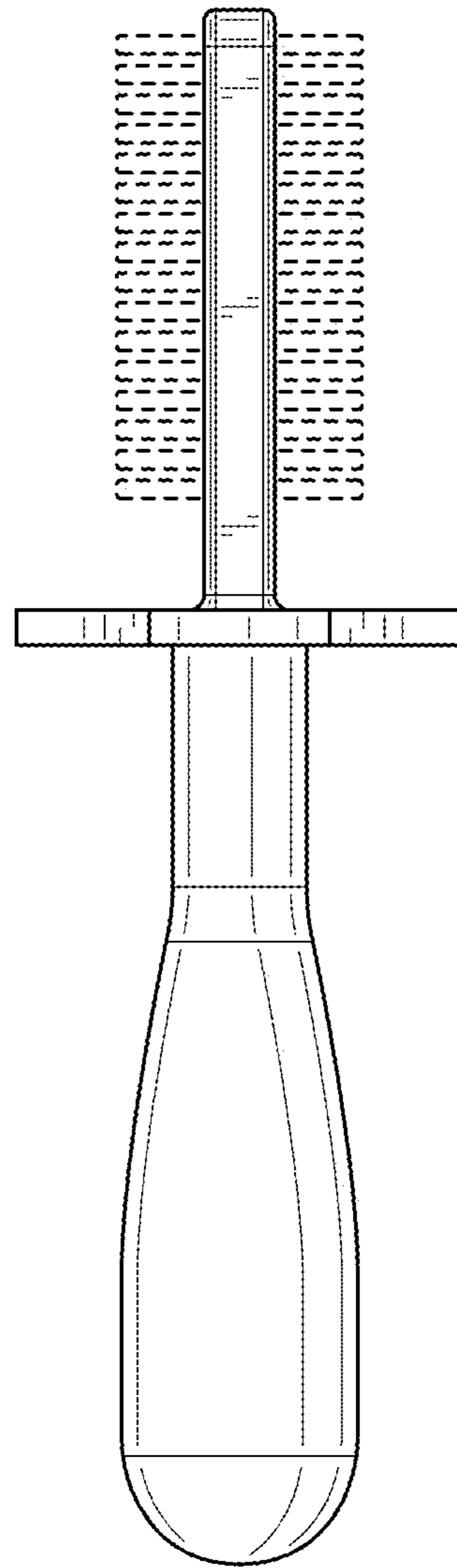


FIG. 5

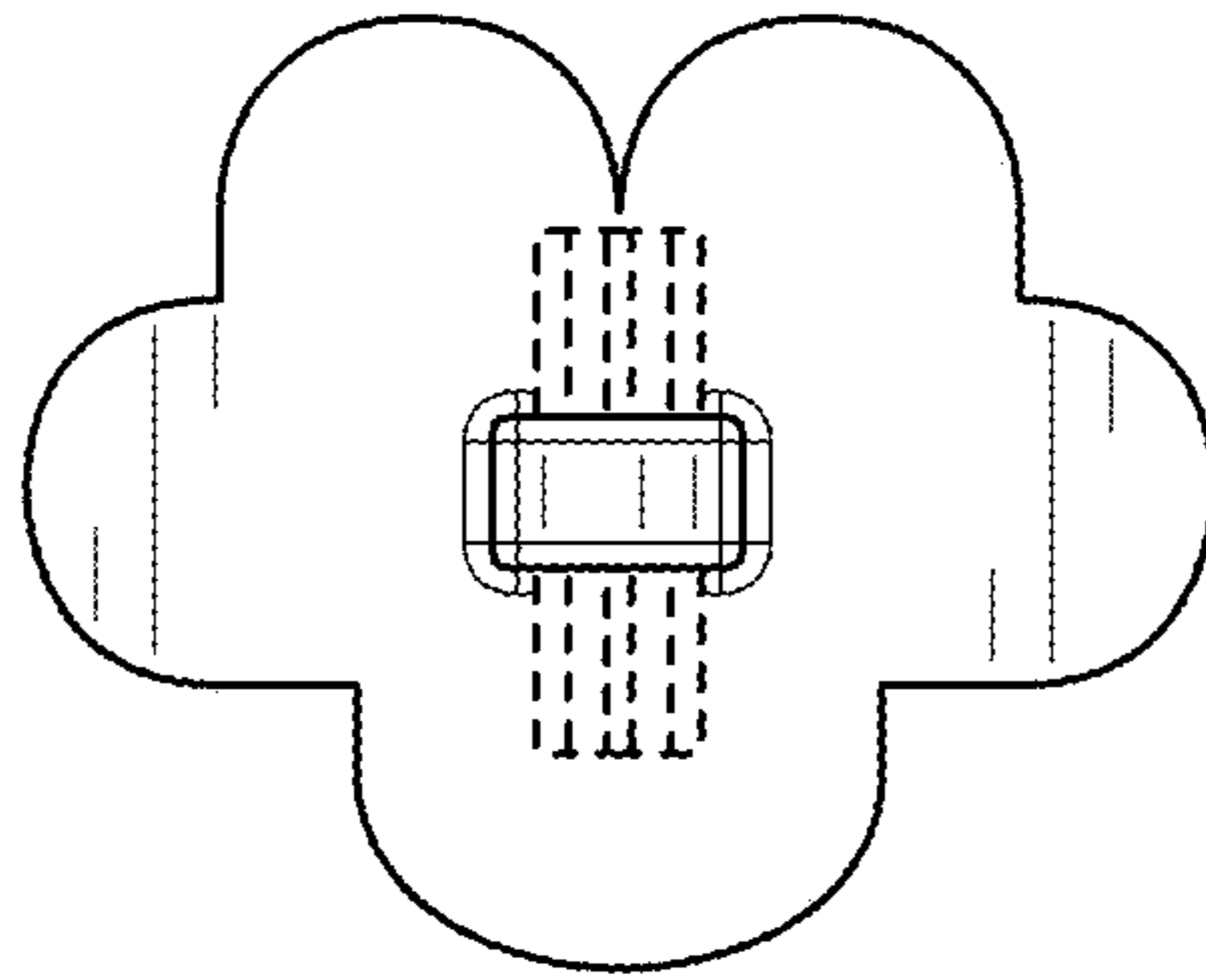


FIG. 6

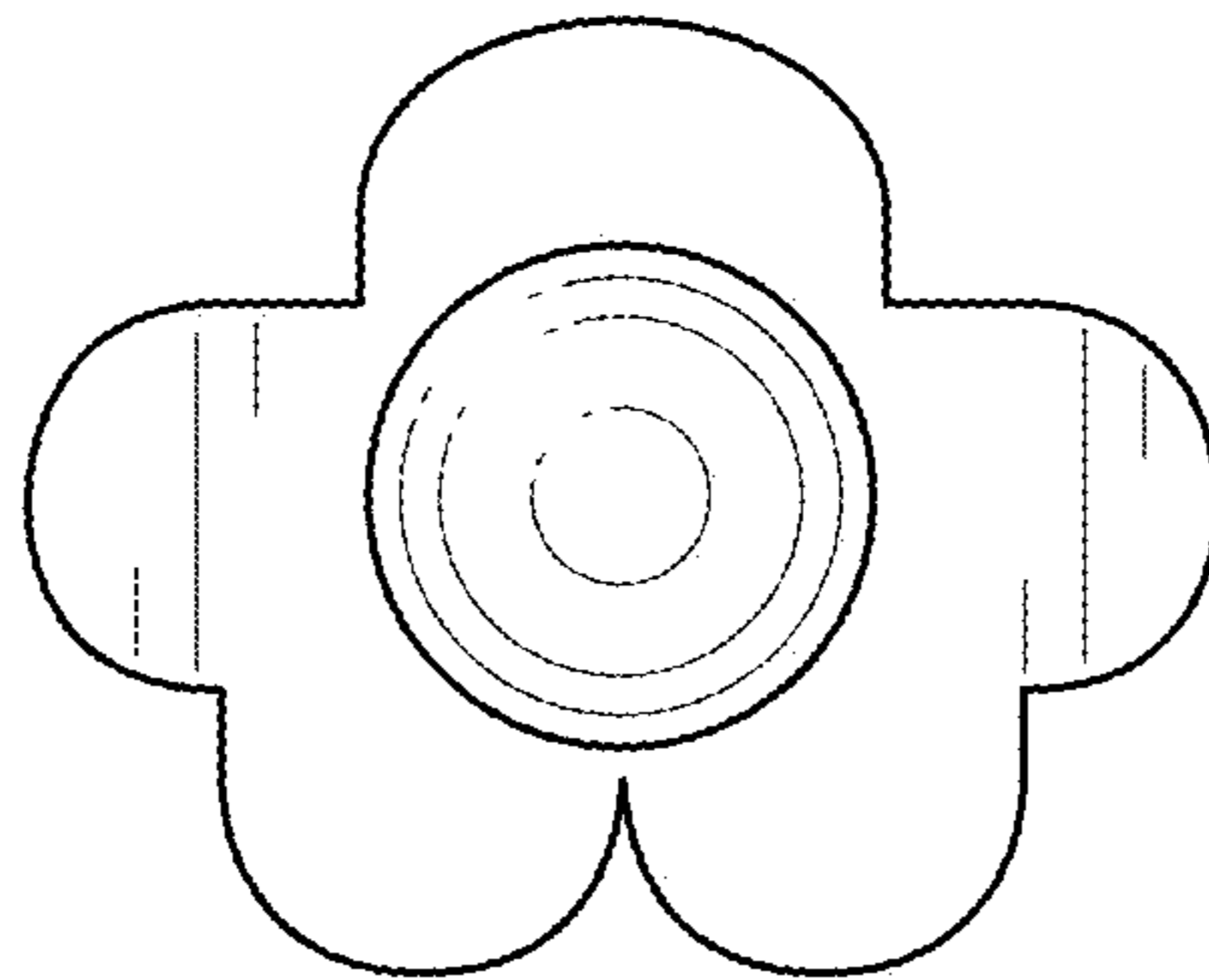


FIG. 7