



US00D957133S

(12) **United States Design Patent**
Wei

(10) **Patent No.:** **US D957,133 S**
(45) **Date of Patent:** **** Jul. 12, 2022**

- (54) **TOOTHBRUSH**
- (71) Applicant: **Jufen Wei**, Guilin (CN)
- (72) Inventor: **Jufen Wei**, Guilin (CN)
- (**) Term: **15 Years**
- (21) Appl. No.: **29/805,064**
- (22) Filed: **Aug. 24, 2021**
- (51) **LOC (13) Cl.** **04-02**
- (52) **U.S. Cl.**
USPC **D4/104**
- (58) **Field of Classification Search**
USPC D4/100, 101, 102, 104, 105, 106, 107,
D4/108, 109, 110, 111, 112, 113, 199,
D4/127, 128, 130, 132, 133, 134, 138;
D28/63
CPC A46B 2200/1066; A46B 9/04
See application file for complete search history.

6,499,174 B2 * 12/2002 Henrie A46B 9/02
D4/127
D474,030 S 5/2003 Ping
D523,642 S * 6/2006 Hollinger D4/134
D753,403 S * 4/2016 Zemel D4/138
D928,408 S * 8/2021 Meng D4/134
2019/0040561 A1 * 2/2019 Tanaka B26D 1/0006

FOREIGN PATENT DOCUMENTS

CN 306959176 * 8/2021

* cited by examiner

Primary Examiner — Karen E Eldridge Powers

(57) **CLAIM**

The ornamental design for a toothbrush, as shown and described.

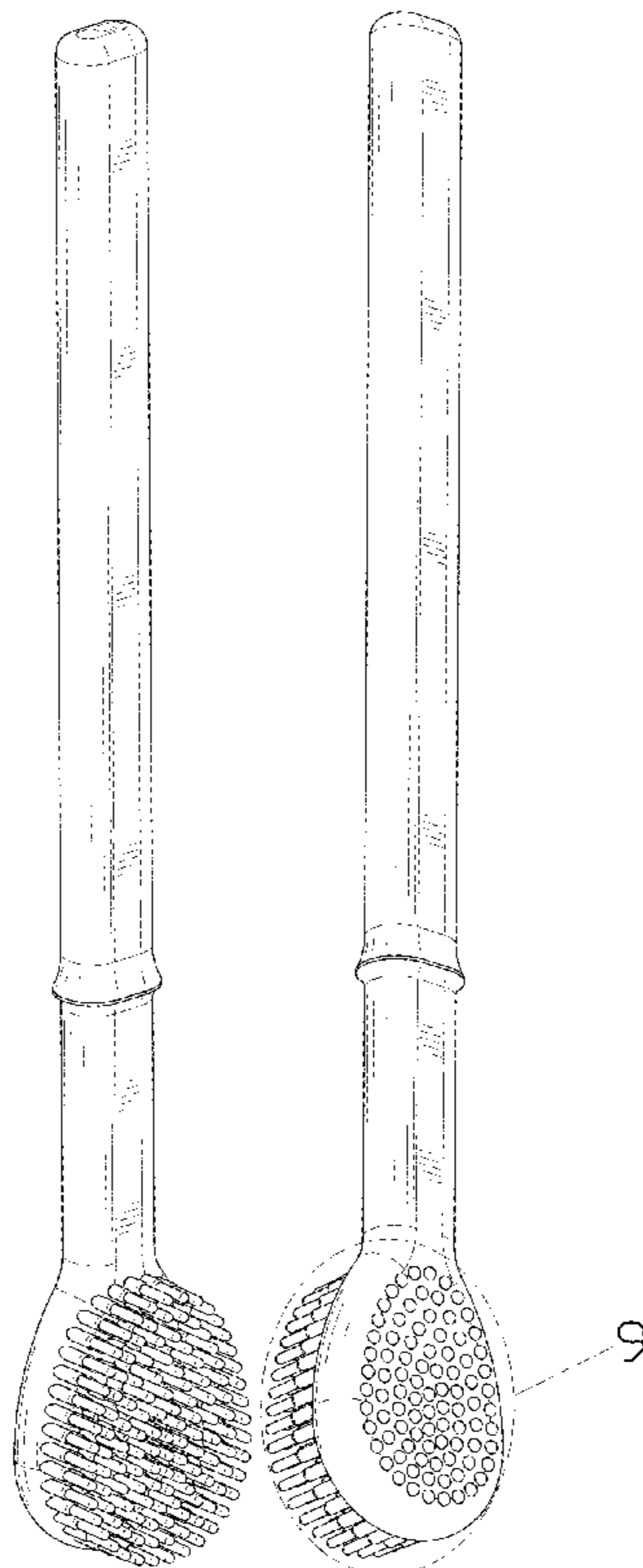
DESCRIPTION

FIG. 1 is a front, bottom and right side perspective view of a toothbrush showing my new design;
 FIG. 2 is a rear, top and left side perspective view thereof;
 FIG. 3 is a front elevational view thereof;
 FIG. 4 is a rear elevational view thereof;
 FIG. 5 is a left side elevational view thereof;
 FIG. 6 is a right side elevational view thereof;
 FIG. 7 is a top plan view thereof;
 FIG. 8 is a bottom plan view thereof; and,
 FIG. 9 is an enlarged view of portion 9 shown in FIG. 1.
 The dot-dash broken lines represent boundaries of the enlarged portion and form no part of the claimed design.

(56) **References Cited**
U.S. PATENT DOCUMENTS

D61,909 S *	2/1923	Goldberg	D28/63
D138,384 S *	7/1944	Rosengard	D4/109
D214,387 S *	6/1969	Holt	D4/114
D215,876 S *	11/1969	Linke	D28/63
D305,481 S *	1/1990	Bruno	D28/63
D309,528 S *	7/1990	Valenti	D4/134
D334,290 S *	3/1993	Gruberg	D4/199
D437,690 S *	2/2001	Stevenson	D4/138
D466,302 S	12/2002	Ping		

1 Claim, 9 Drawing Sheets



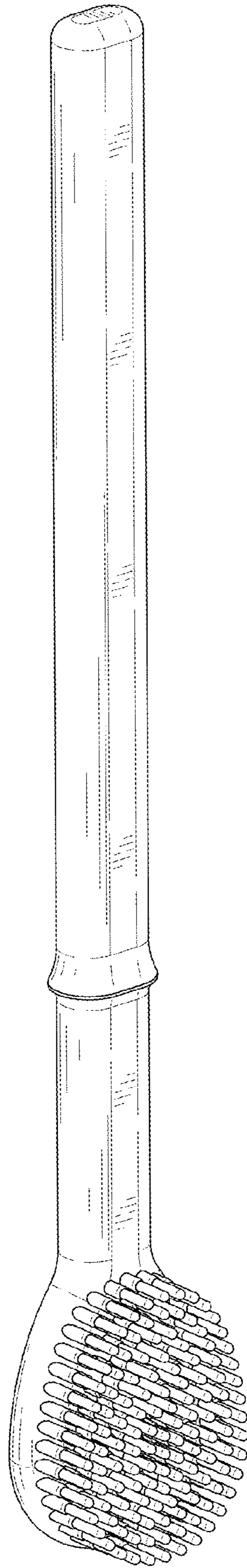


FIG. 1

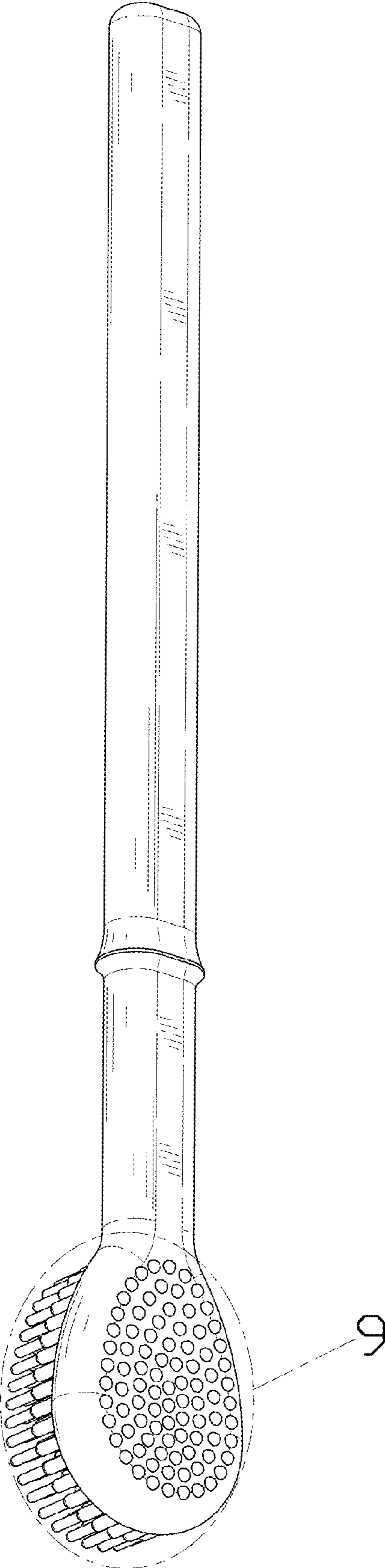


FIG. 2

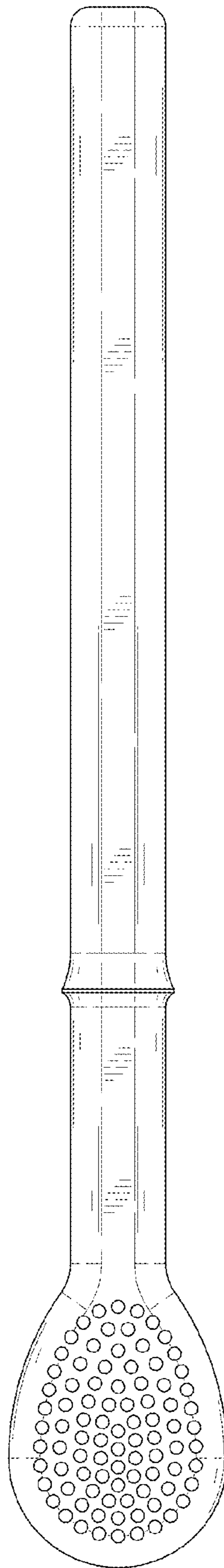


FIG. 3

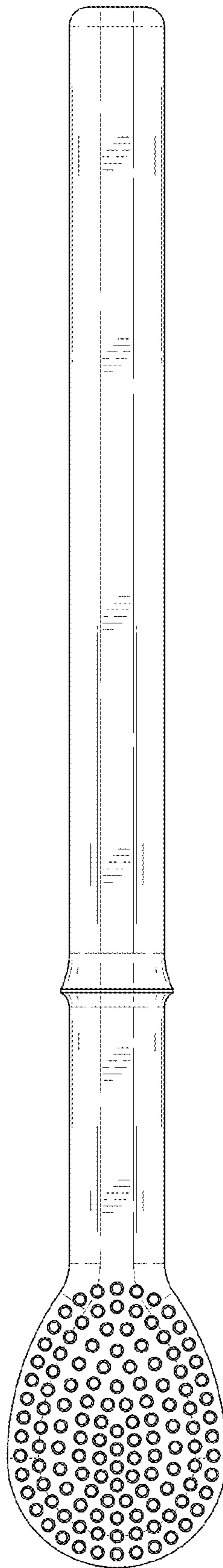


FIG. 4

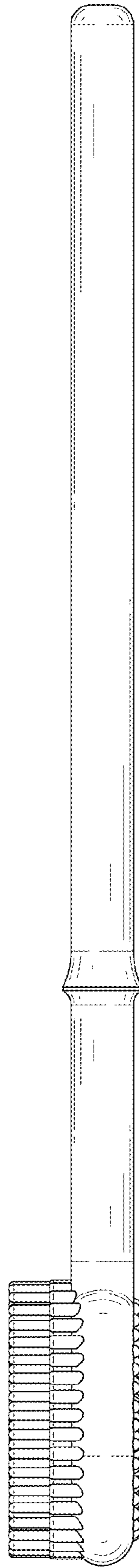


FIG. 5

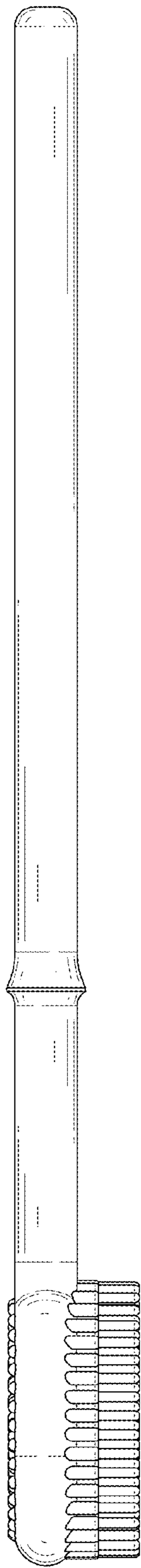


FIG. 6

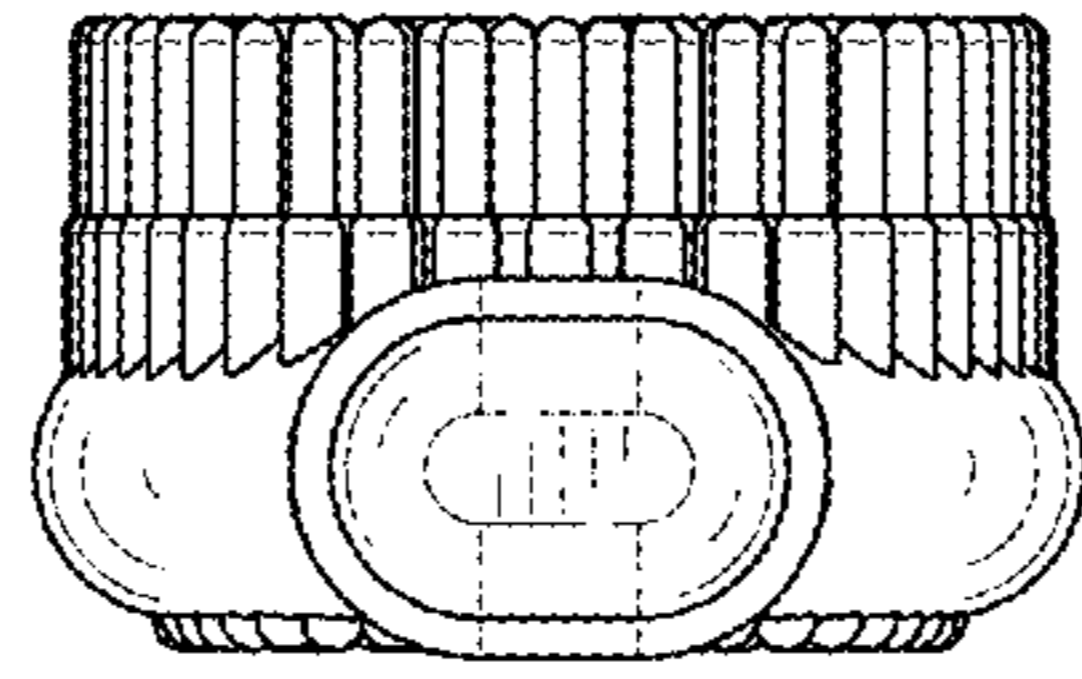


FIG. 7

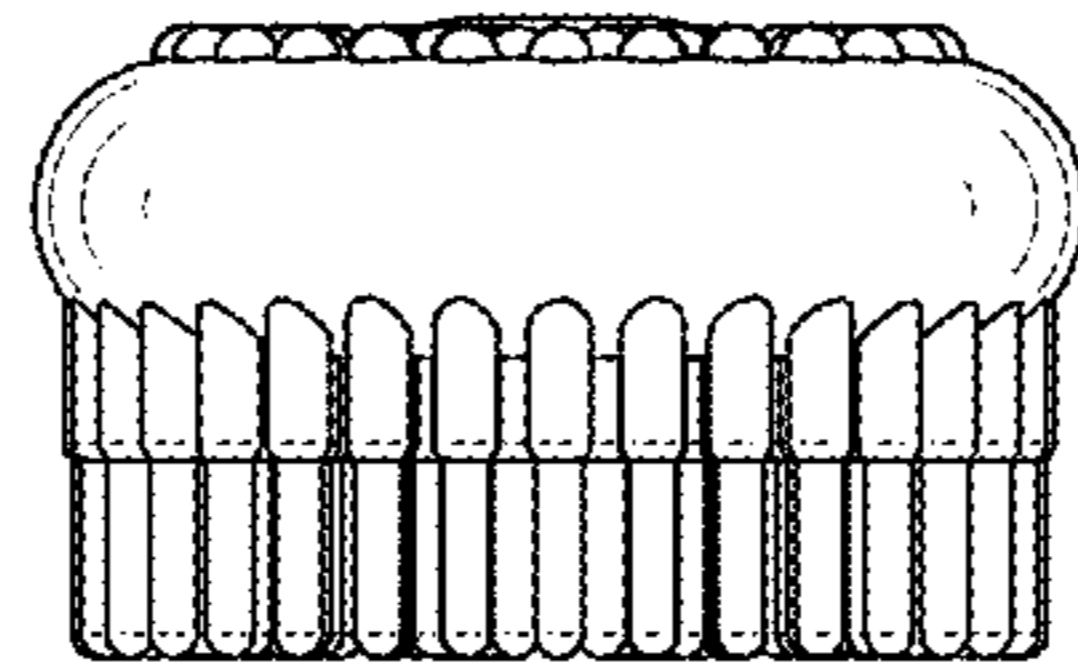


FIG. 8

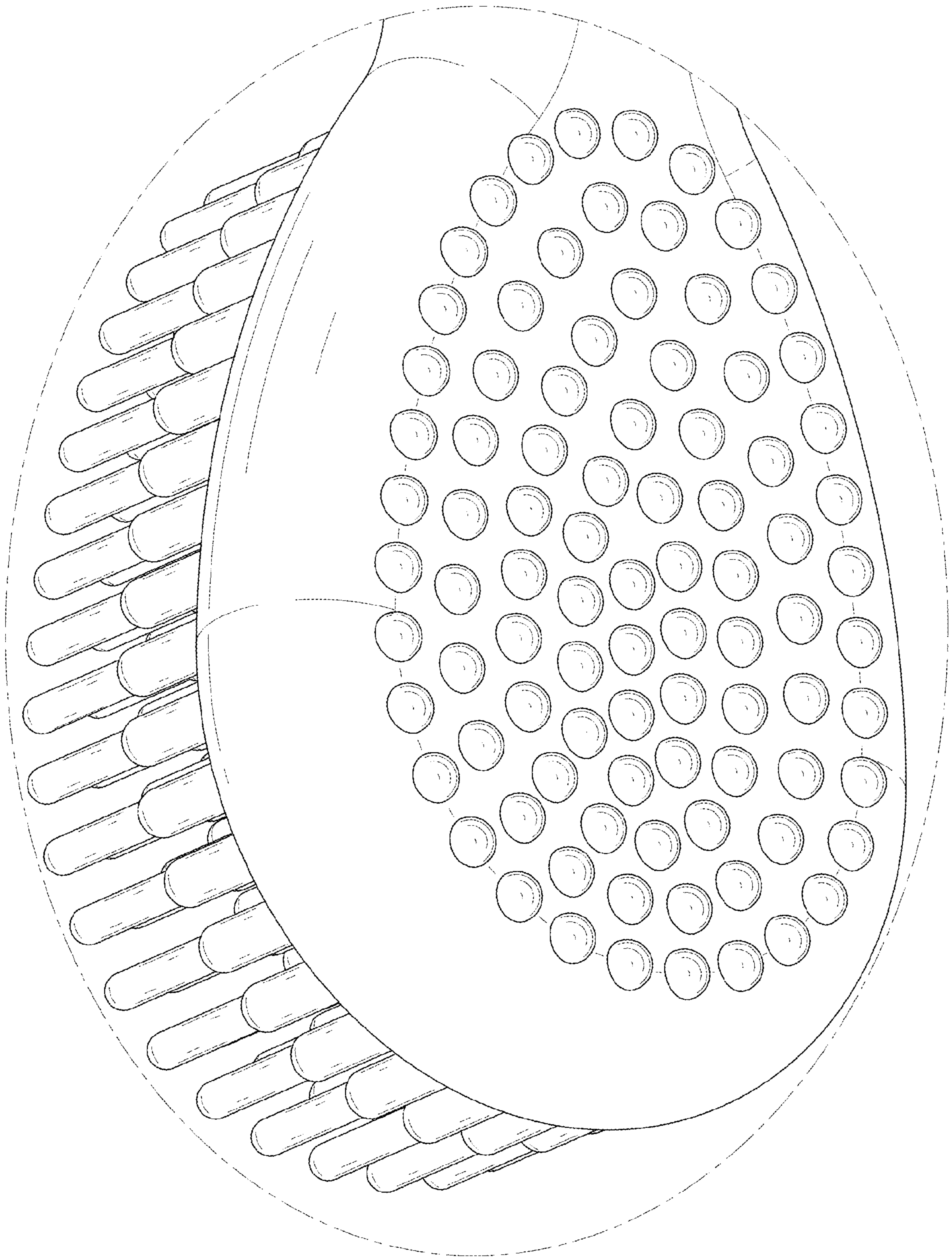


FIG. 9