



US00D957132S

(12) **United States Design Patent** (10) **Patent No.:** **US D957,132 S**
Guo (45) **Date of Patent:** **** Jul. 12, 2022**

(54) **MULTI-LAYER STORAGE BOX**

(71) Applicant: **Zebin Guo**, Shantou (CN)

(72) Inventor: **Zebin Guo**, Shantou (CN)

(**) Term: **15 Years**

(21) Appl. No.: **29/694,857**

(22) Filed: **Jun. 13, 2019**

(51) **LOC (13) Cl.** **03-01**

(52) **U.S. Cl.**
USPC **D3/302**

(58) **Field of Classification Search**
USPC D3/201, 203.1, 203.2, 203.3, 203.4, 262,
D3/272-274, 294, 295, 298, 302, 901,
D3/903, 905; D7/602, 605, 629, 591,
D7/596, 597, 701, 707; D27/172, 183,
D27/184, 186, 190

CPC B65D 21/00; B65D 21/0204; B65D
21/0233; B65D 25/04; B65D 81/3283;
A47J 47/02; A47J 47/10

See application file for complete search history.

(56) **References Cited**

U.S. PATENT DOCUMENTS

D325,281 S *	4/1992	Jordan	D3/302
D499,552 S *	12/2004	Nissanoff	D3/273
D723,878 S *	3/2015	Smith	D7/679
D738,111 S *	9/2015	Otto	D3/302
D740,029 S *	10/2015	Otto	D3/302
D779,811 S *	2/2017	Van Lanschot	D3/203.3
D802,836 S *	11/2017	Ghiotti	D27/186
D850,781 S *	6/2019	Danopoulos	D3/203.1
D911,701 S *	3/2021	Bestel	A61C 17/036
				D3/203.1
2009/0250368 A1 *	10/2009	Earl	B65D 25/04
				206/503
2014/0221945 A1 *	8/2014	Dos Santos	A61M 35/003
				604/311
2014/0346168 A1 *	11/2014	Wang	B65D 21/083
				220/23.83

OTHER PUBLICATIONS

Zevro Dial-a-Spice Multiple Spice Container (Set of 3), posted at walmart.com, no posting date, retrieved Jul. 14, 2021, online, URL: https://www.walmart.com/ip/Zevro-Dial-a-Spice-Multiple-Spice-Container-Set-of-3/40924849 (Year: 2021).*

* cited by examiner

Primary Examiner — Mary Shannon Malley

(74) *Attorney, Agent, or Firm* — Law Offices of Steven W. Weinrieb

(57) **CLAIM**

The ornamental design for a multi-layer storage box, as shown and described.

DESCRIPTION

FIG. 1 is a front, right side, top, exploded perspective view of a multi-layer storage box showing my new design; FIG. 2 is a front, right side, top, exploded perspective view thereof showing some of the components exploded still further;

FIG. 3 is a front, right side, top perspective view thereof showing all of the components put together in a compact state;

FIG. 4 is a rear, right side, bottom perspective view thereof showing all of the components in the compact state;

FIG. 5 is a front elevational view thereof;

FIG. 6 is a rear elevational view thereof;

FIG. 7 is a left side elevational view thereof;

FIG. 8 is a right side elevational view thereof;

FIG. 9 is a top plan view thereof; and,

FIG. 10 is a bottom plan view thereof.

The broken lines illustrate portions of the multi-layer storage box that form no part of the claimed design.

1 Claim, 10 Drawing Sheets

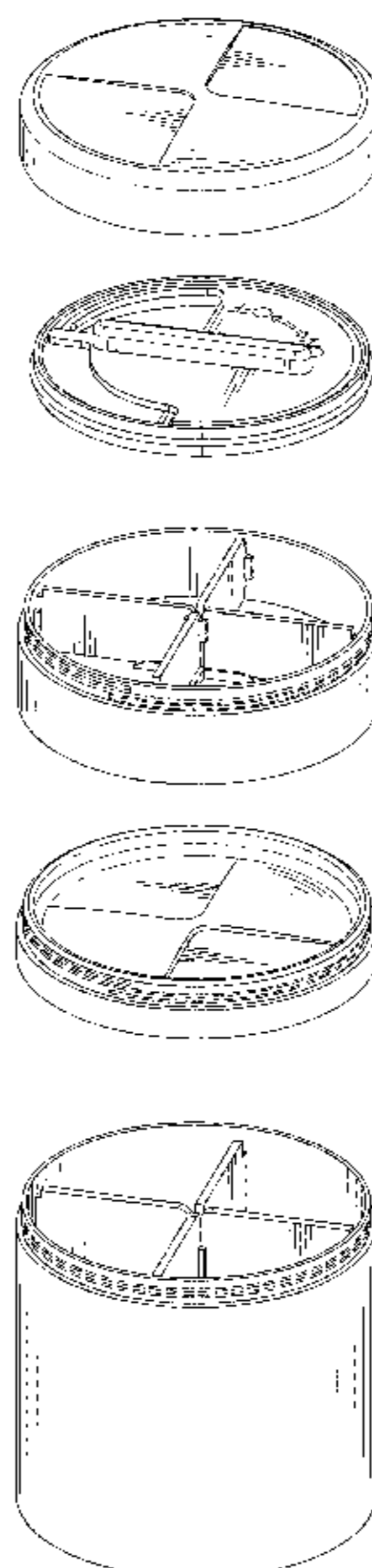


FIG. 1

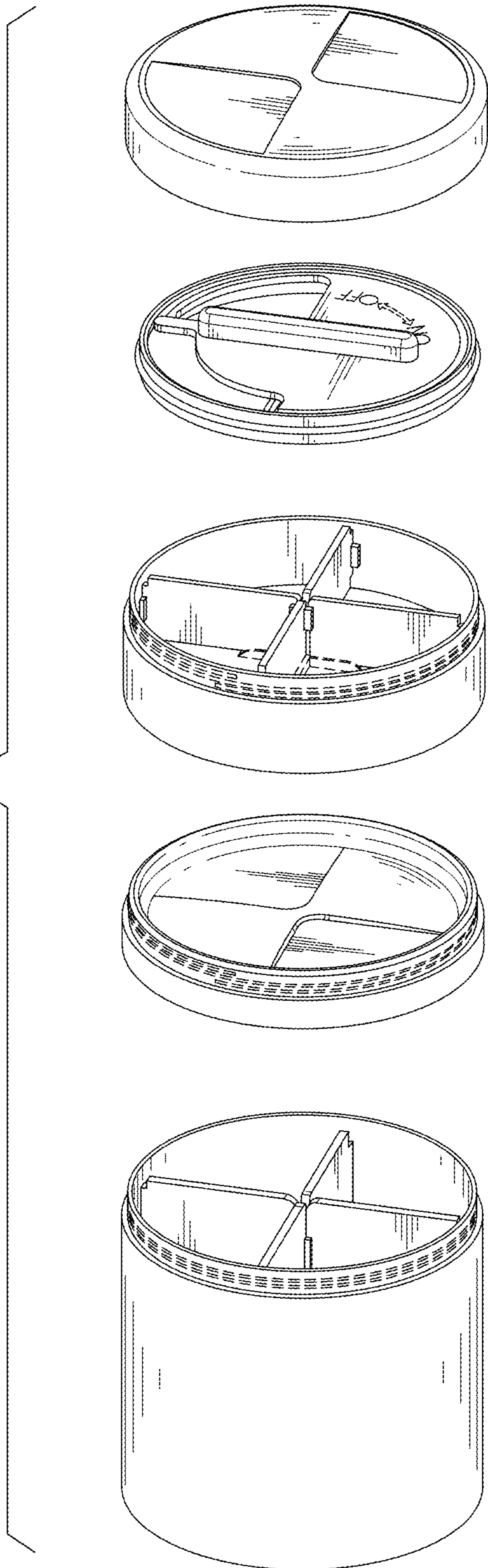
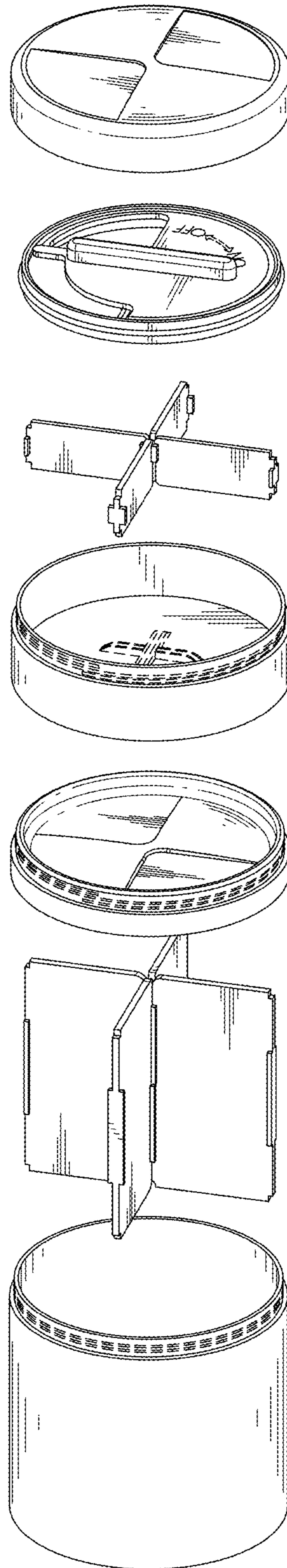


FIG. 2



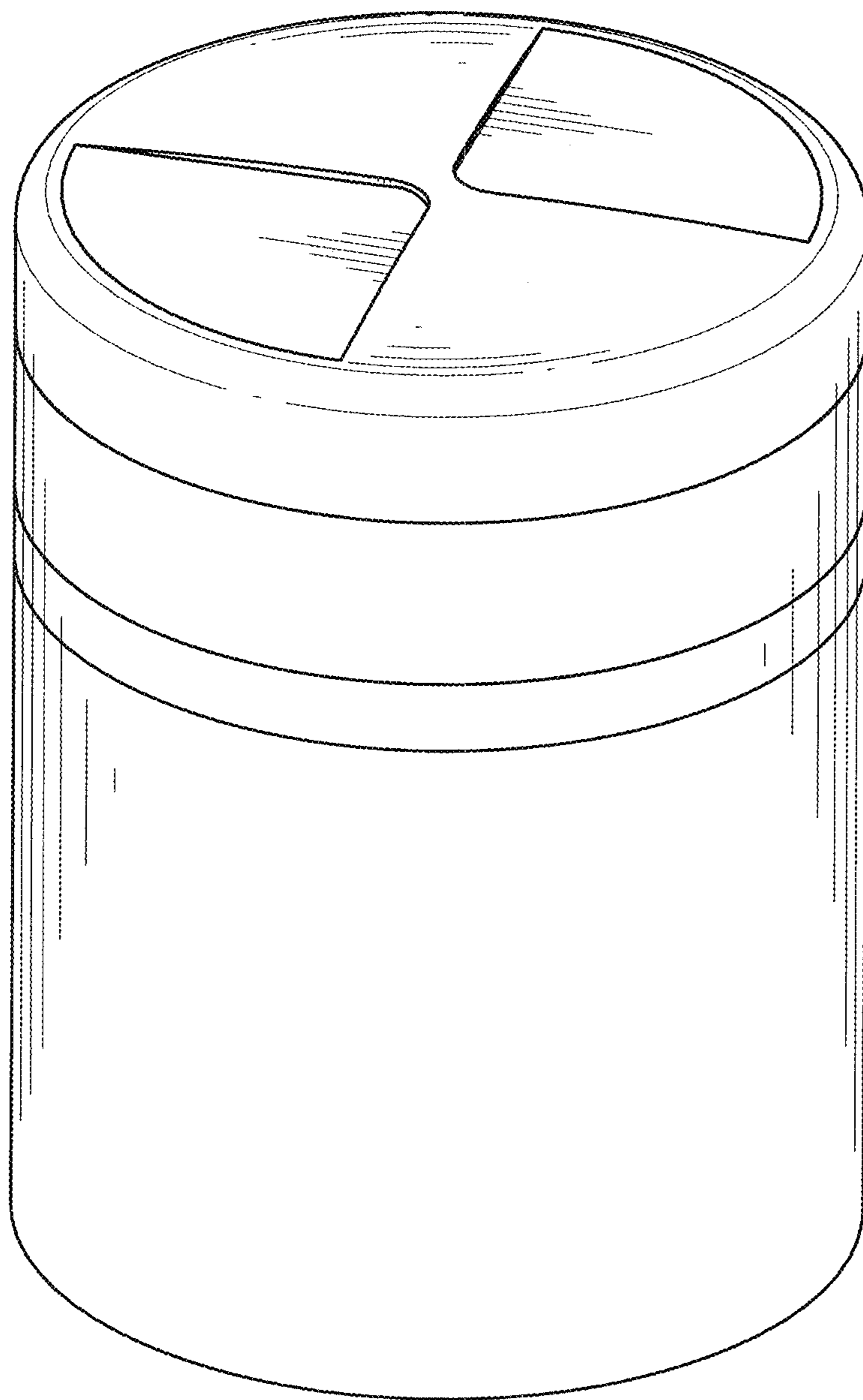


FIG. 3

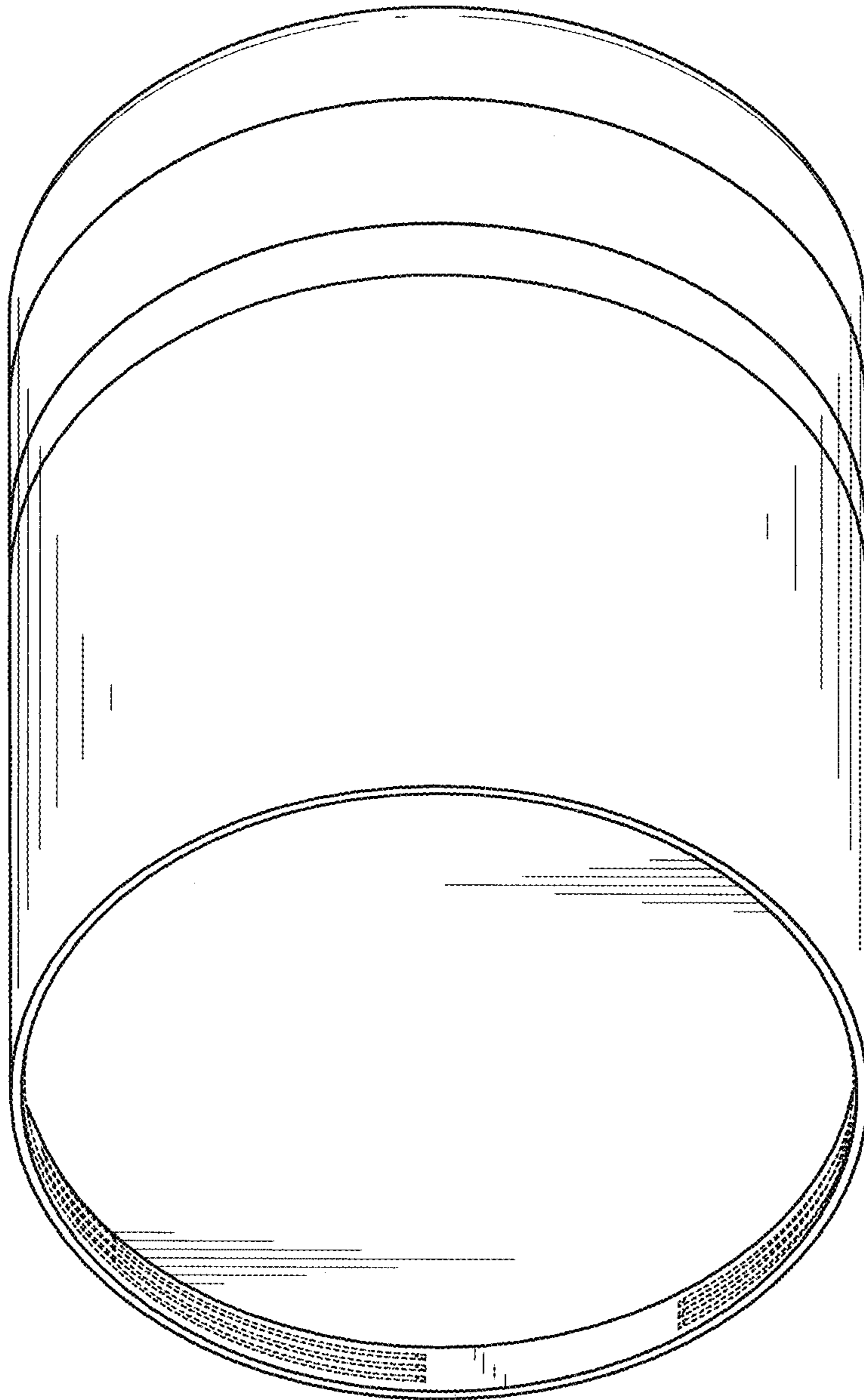


FIG. 4

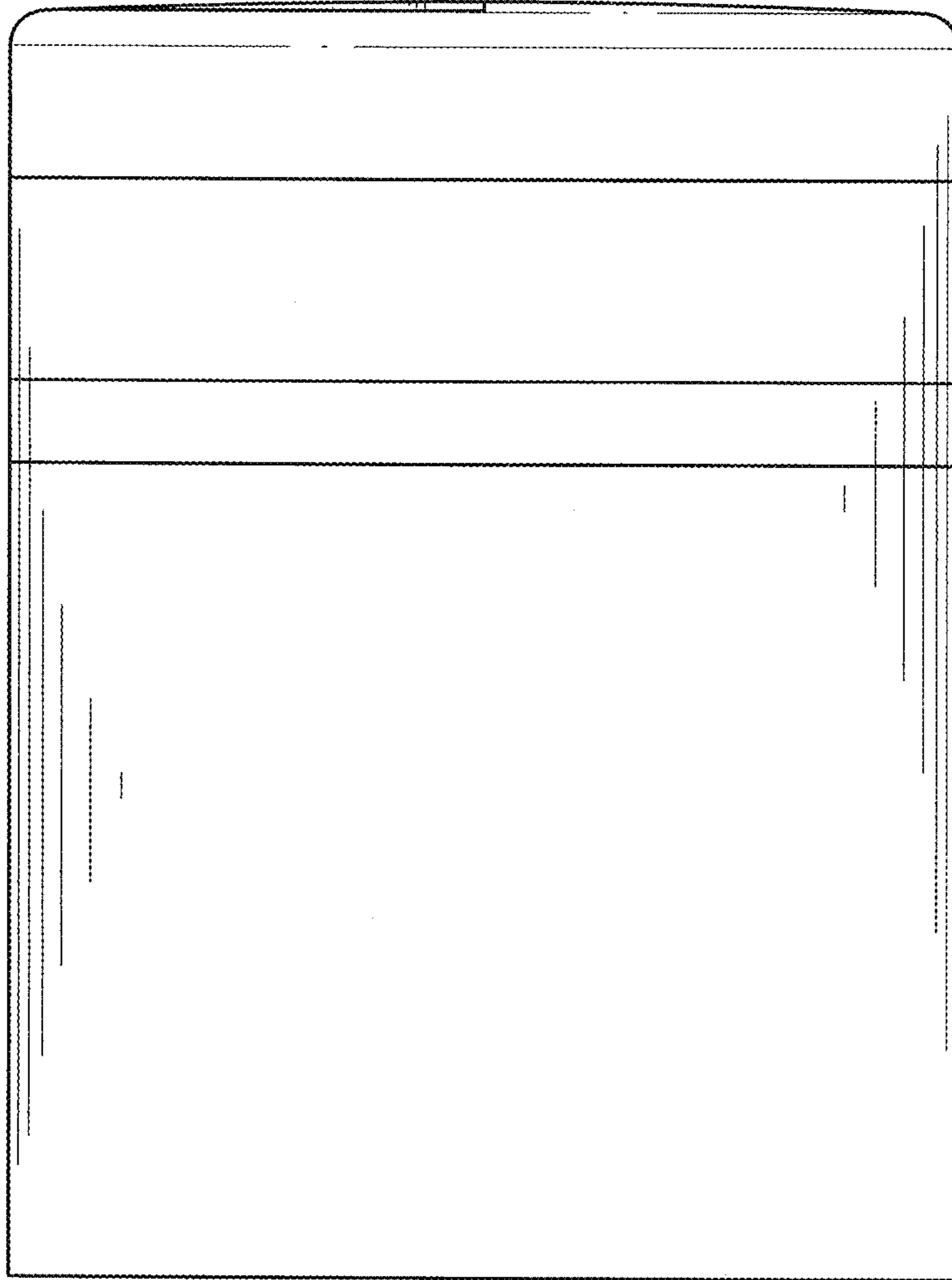


FIG. 5

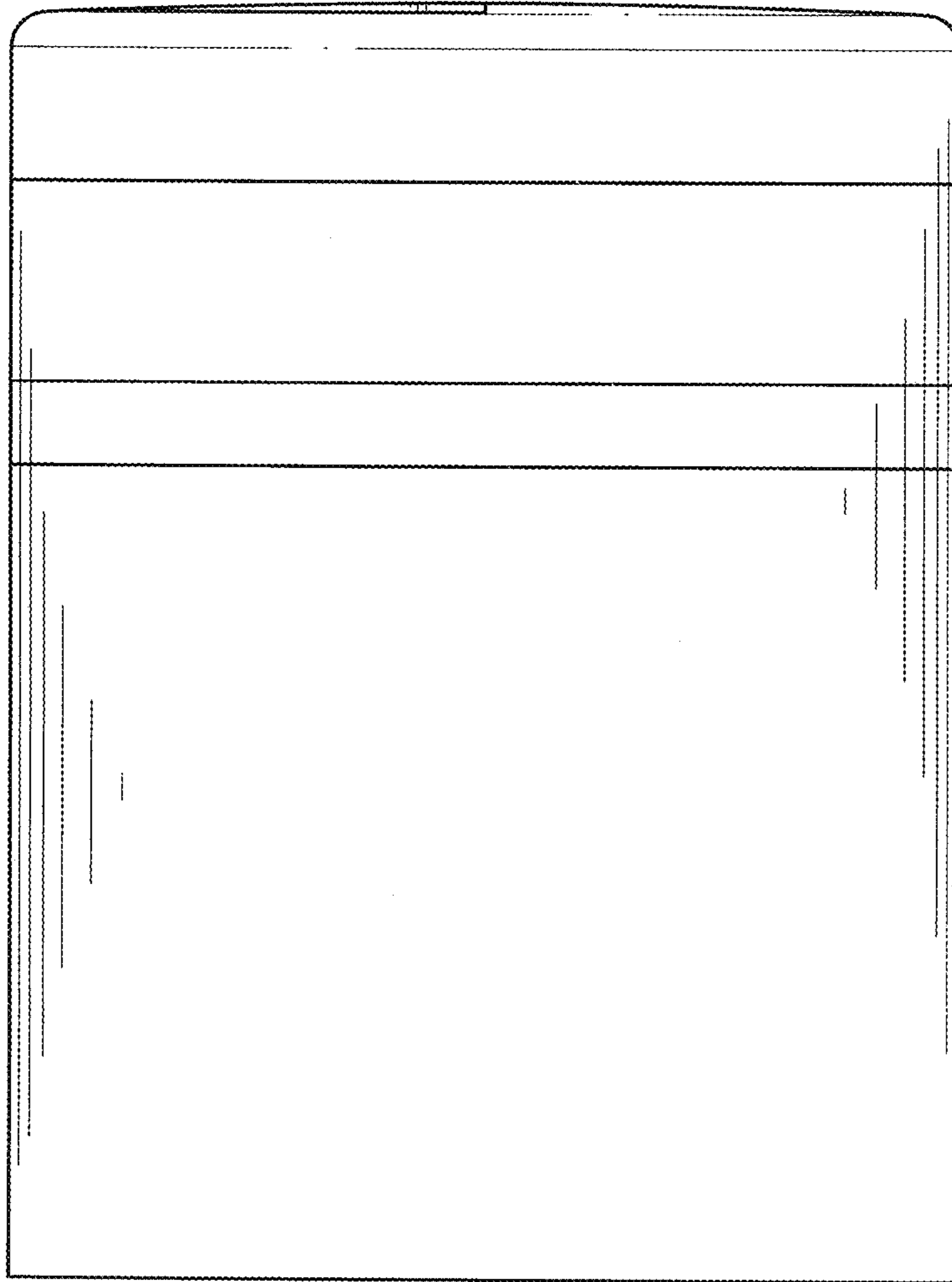


FIG. 6

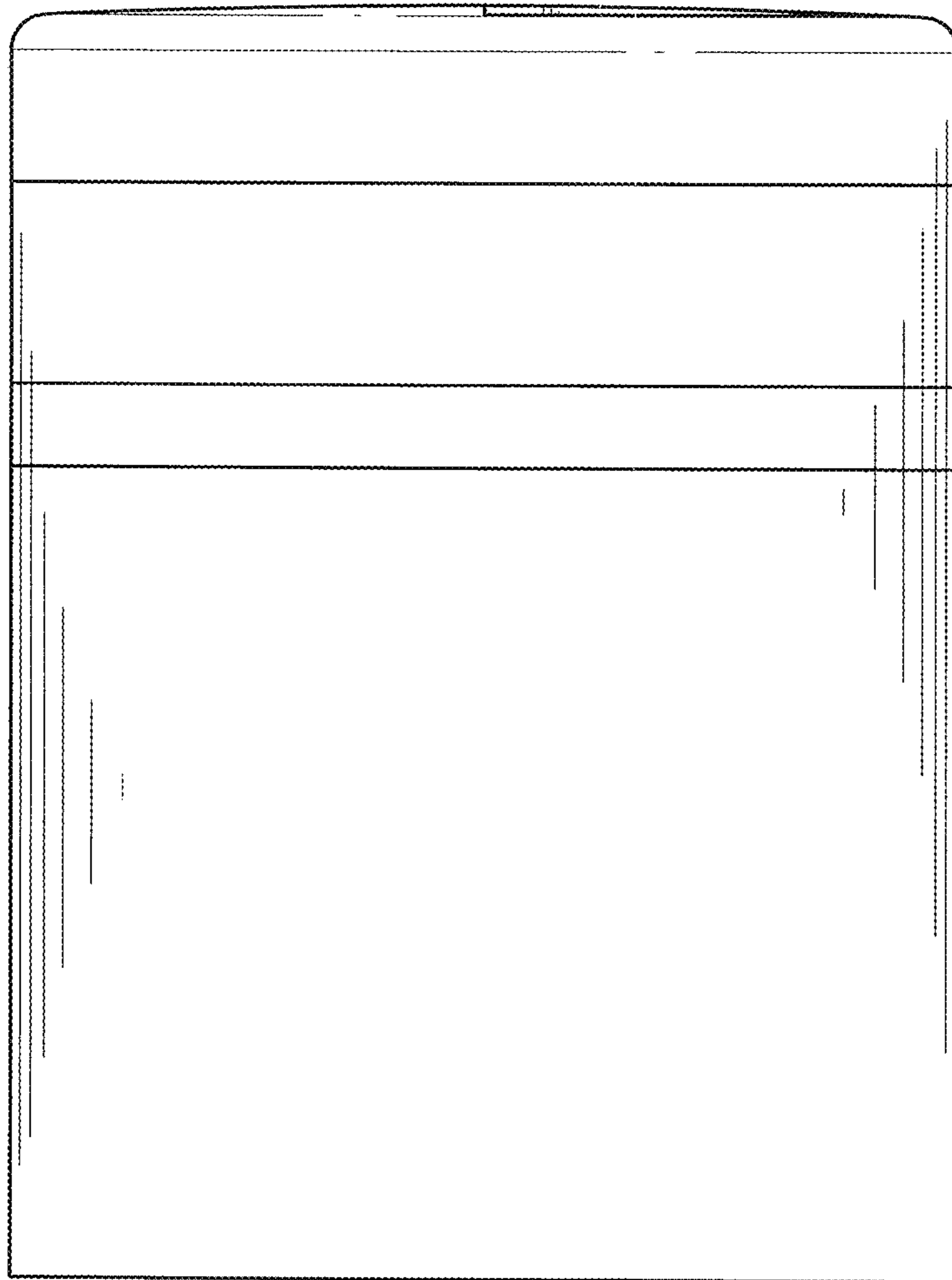


FIG. 7

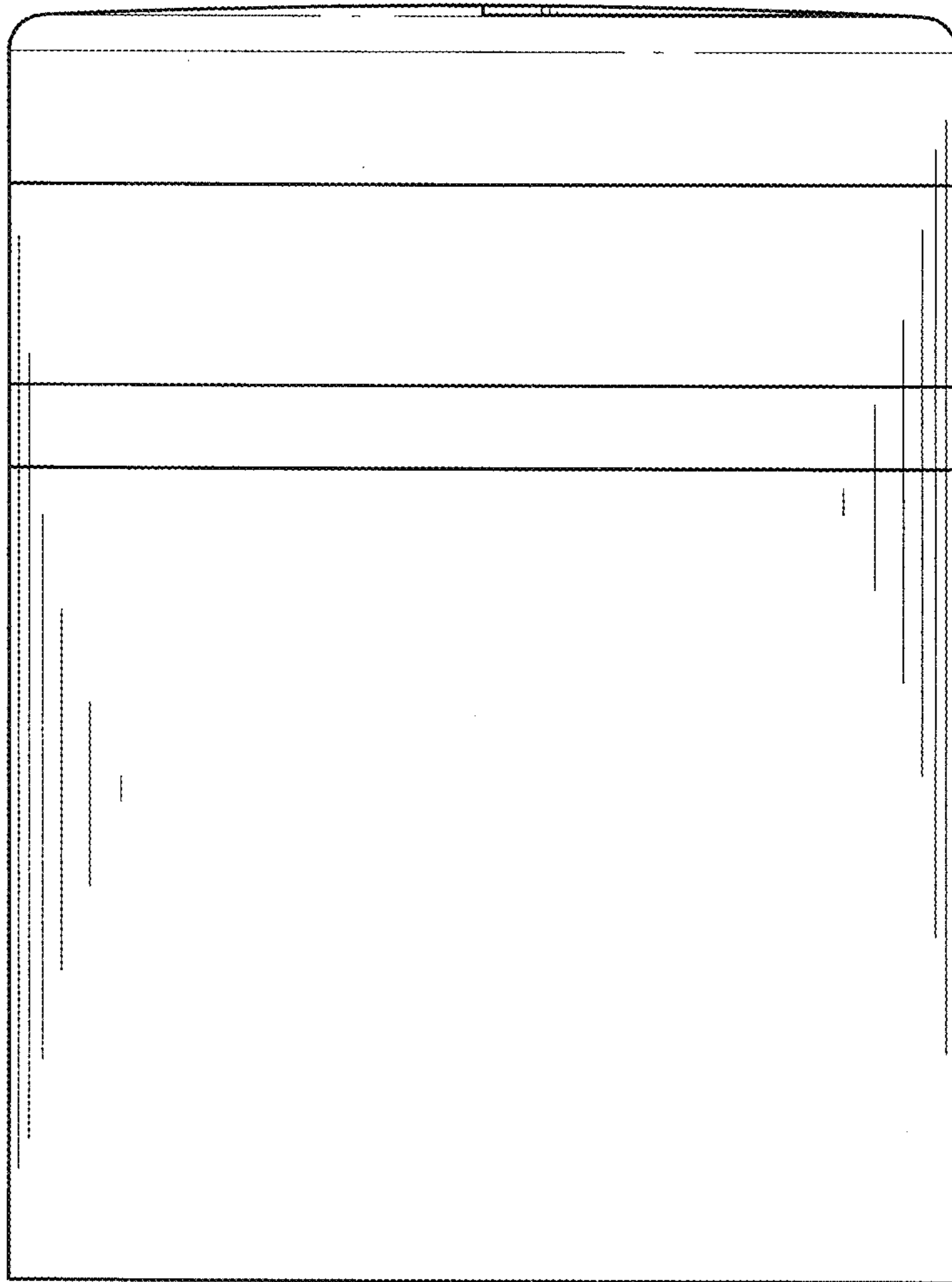


FIG. 8

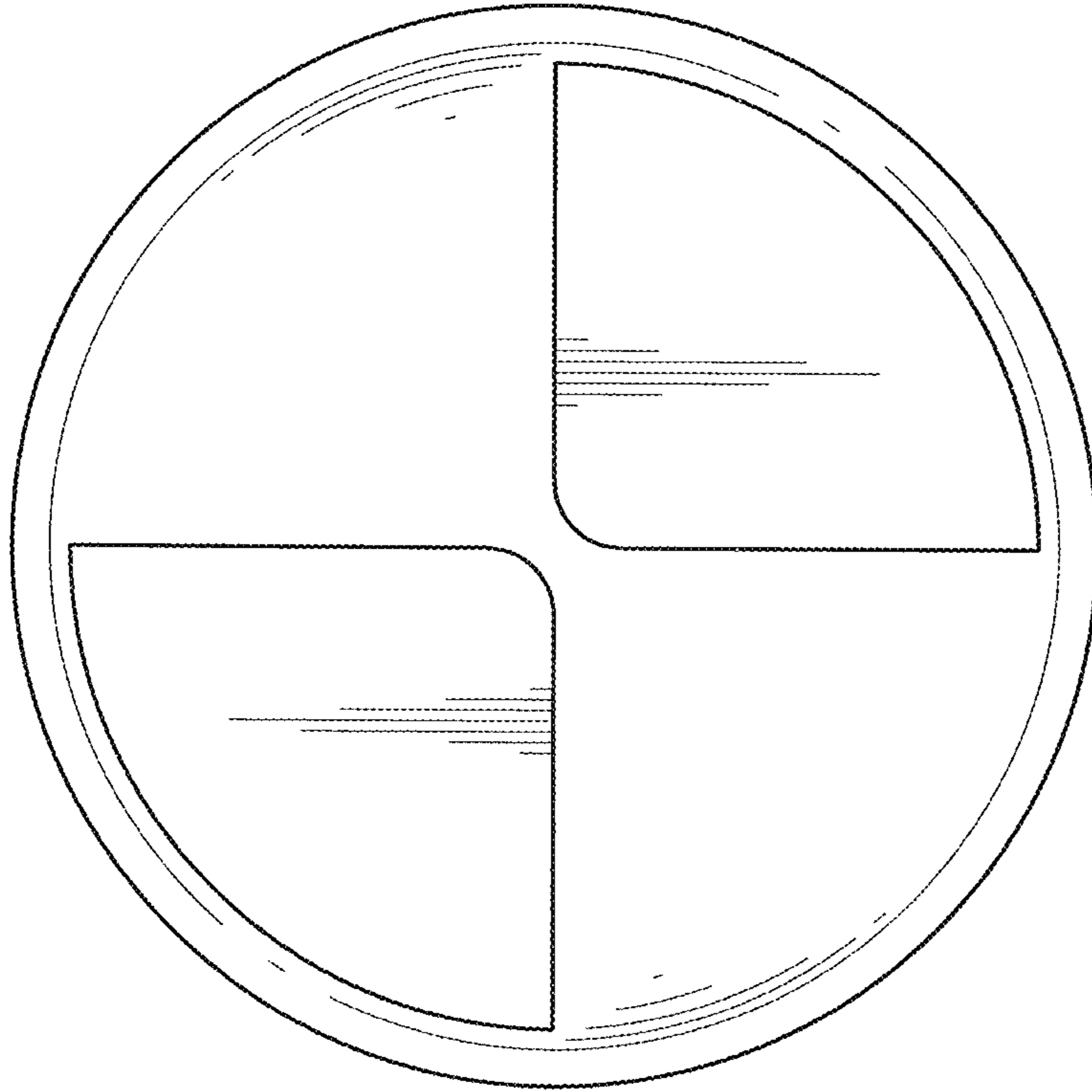


FIG. 9

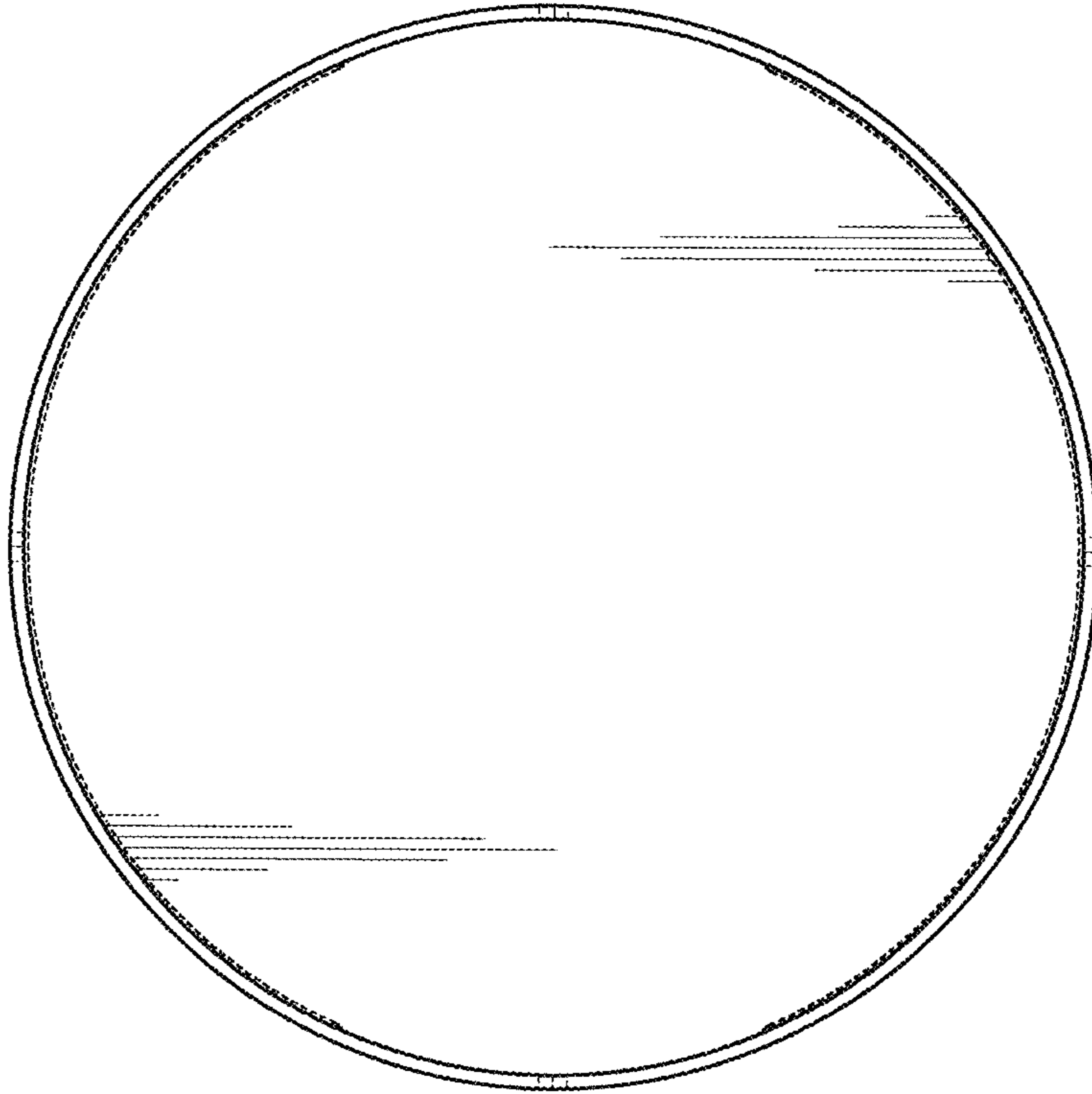


FIG. 10