



US00D957130S

(12) **United States Design Patent**
Tung

(10) **Patent No.:** **US D957,130 S**
(45) **Date of Patent:** **** Jul. 12, 2022**

(54) **CASE FOR SMOKERS' ACCESSORIES**

(71) Applicant: **PHILIP MORRIS PRODUCTS S.A.**,
Neuchatel (CH)

(72) Inventor: **Jeffrey Tung**, San Francisco, CA (US)

(73) Assignee: **PHILIP MORRIS PRODUCTS S.A.**,
Neuchatel (CH)

(**) Term: **15 Years**

(21) Appl. No.: **29/709,534**

(22) Filed: **Oct. 15, 2019**

(30) **Foreign Application Priority Data**

May 22, 2019	(EM)	006498200-0001
May 22, 2019	(EM)	006498200-0002
May 22, 2019	(EM)	006498200-0003
May 22, 2019	(EM)	006498200-0004
May 22, 2019	(EM)	006498200-0005
May 22, 2019	(EM)	006498200-0006

(Continued)

(51) **LOC (13) Cl.** **03-01**

(52) **U.S. Cl.**
USPC **D3/299**

(58) **Field of Classification Search**
USPC D3/201, 203.1, 203.2, 203.3, 203.4,
D3/203.5, 203.6, 203.7, 203.8, 205-212,
D3/226-230, 243, 247-249, 263-269,
D3/273, 299; D7/601, 602, 609, 619.1,
(Continued)

(56) **References Cited**

U.S. PATENT DOCUMENTS

1,722,507	A *	7/1929	Stanley	A45C 11/008
					D3/205
3,296,429	A *	1/1967	Schwartz	A45C 11/321
					362/116
D307,673	S *	5/1990	Brown	D3/218

(Continued)

FOREIGN PATENT DOCUMENTS

CN	304585987	*	4/2018
CN	304943042	*	12/2018

(Continued)

OTHER PUBLICATIONS

Iqos 3.0 Electronic Cigarette Fabric case, available at dhgate.com, date not available [online], site visited Feb. 18, 2022, available from the internet URL: <https://www.dhgate.com/product/new-arrival-iqos-3-0-electronic-cigarette/441036919.html> (Year: 2022).*

(Continued)

Primary Examiner — S. Bryan Reinholdt, Jr.

Assistant Examiner — Jillian Mazzola

(74) *Attorney, Agent, or Firm* — Oblon, McClelland,
Maier & Neustadt, L.L.P.

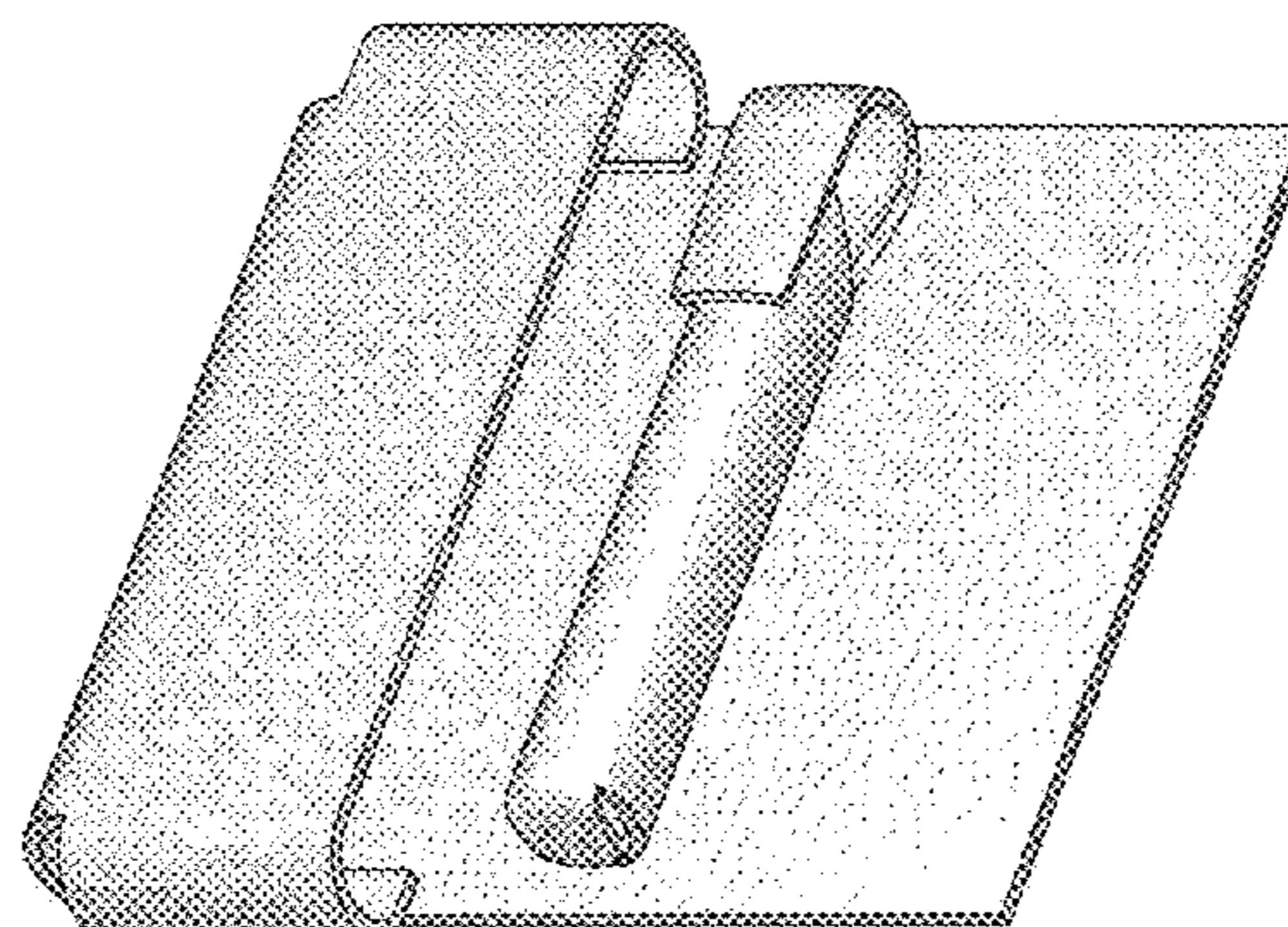
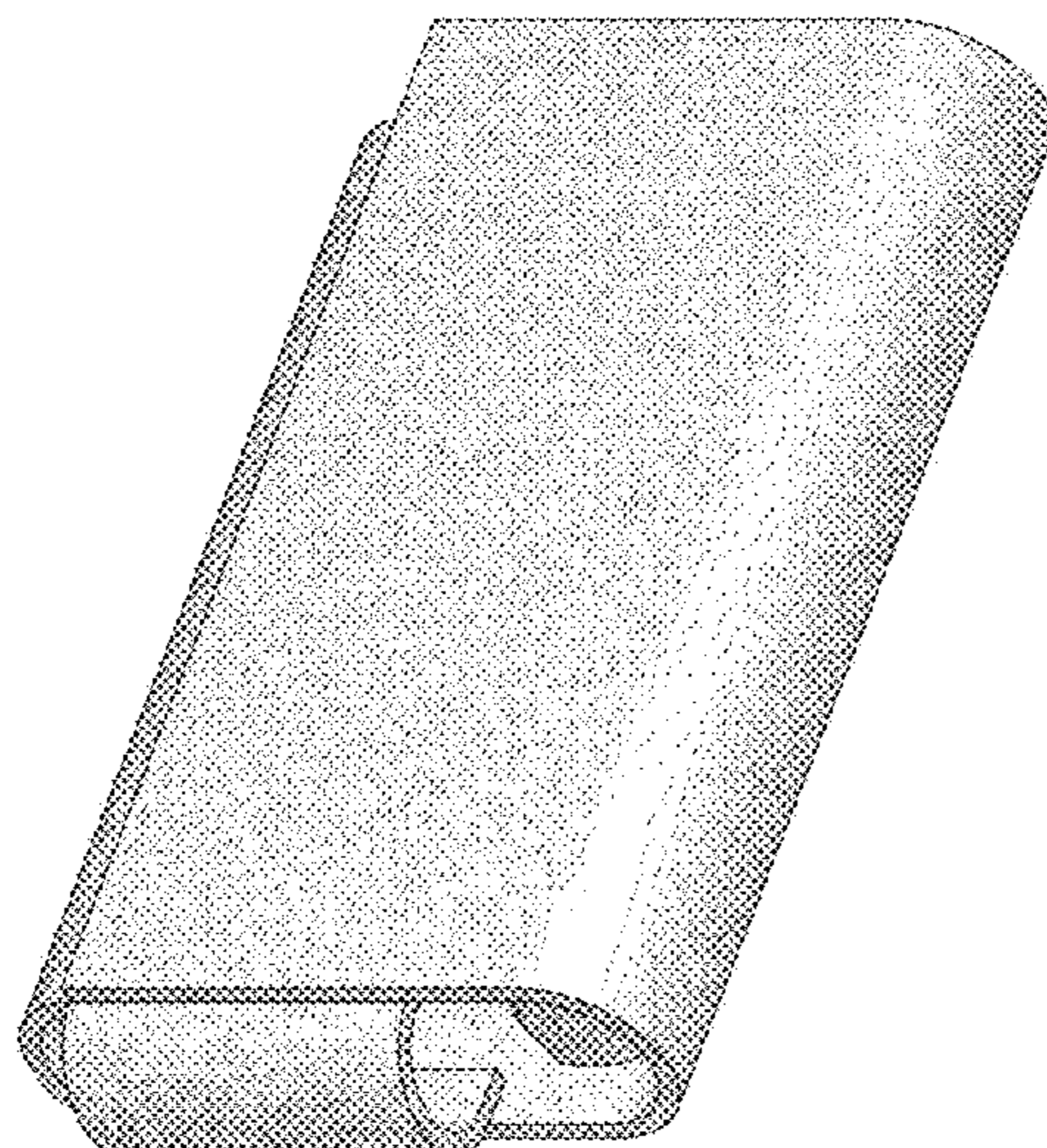
(57) **CLAIM**

The ornamental design for a case for smokers' accessories, as shown and described.

DESCRIPTION

FIG. 1 is a front, bottom, and right side perspective view of a case for smokers' accessories showing the new design; FIG. 2 is a front elevational view thereof; FIG. 3 is a rear elevational view thereof; FIG. 4 is a top plan view thereof; FIG. 5 is a bottom plan view thereof; FIG. 6 is a left side elevational view thereof; and FIG. 7 is a right side elevational view thereof; and, FIG. 8 is a front, bottom, and right side perspective view of the case for smokers' accessories in an open configuration.

1 Claim, 8 Drawing Sheets



(30) Foreign Application Priority Data

May 22, 2019 (EM) 006498200-0007
 May 22, 2019 (EM) 006498200-0008

(58) Field of Classification Search

USPC D7/631–633, 635, 637, 638; D9/414,
 D9/420–423, 434, 435, 499, 700, 701
 See application file for complete search history.

D834,820 S * 12/2018 Pedrin D3/299
 D845,615 S * 4/2019 Mehregany D3/203.3
 D893,177 S * 8/2020 Berghoff D3/247
 D911,162 S * 2/2021 Tung D9/418
 D930,898 S * 9/2021 Choe D27/189
 D937,578 S * 12/2021 Cruice D27/186
 D937,579 S * 12/2021 Cruice D27/189
 2006/0042993 A1 * 3/2006 Tuhkru A45C 11/008
 2014/0190840 A1 * 7/2014 Scribner A45C 11/043
 206/581
 206/5

(56) References Cited

U.S. PATENT DOCUMENTS

D314,213 S * 1/1991 Bishop D3/249
 D408,137 S * 4/1999 Leininger D3/231
 D414,033 S * 9/1999 Rohm D3/249
 D422,406 S * 4/2000 Dweck D3/253
 D439,742 S * 4/2001 Fujino D3/273
 D451,672 S * 12/2001 Rasmussen D3/276
 D458,752 S * 6/2002 Wolf D3/299
 D506,066 S * 6/2005 Nieves D3/299
 D518,954 S * 4/2006 Wald D3/901
 D551,846 S * 10/2007 Ko D3/201
 D566,397 S * 4/2008 Jones D3/299
 D587,012 S * 2/2009 Webb D9/711
 D606,299 S * 12/2009 Boomhour D3/218
 D611,703 S * 3/2010 Fahrendorff D3/218
 D620,258 S * 7/2010 Fahrendorff D3/299
 D621,780 S * 8/2010 Ferber D13/108
 D628,374 S * 12/2010 Lee D3/201
 D661,897 S * 6/2012 Kohler D3/294
 D674,592 S * 1/2013 Basmaji D3/218
 D680,318 S * 4/2013 Denzinger D3/203.2
 D684,366 S * 6/2013 Phillips D3/301
 D684,367 S * 6/2013 Phillips D3/301
 D700,773 S * 3/2014 Lupkas D3/203.2
 D706,537 S * 6/2014 Brandt D3/247
 D715,546 S * 10/2014 Olsson D3/266
 D741,064 S * 10/2015 Ramos D3/299
 D806,378 S * 1/2018 Lerenthal D3/201

FOREIGN PATENT DOCUMENTS

CN 305556625 * 1/2020
 EM 006402814-0015 * 5/2019

OTHER PUBLICATIONS

Case For IQOS 3.0 Multi Cigarette (Fashion Edition), available at duxducis.com, earliest date available Dec. 3, 2018 [online], site visited Feb. 18, 2022, available from the internet URL: <https://www.duxducis.com/case-for-iqos-3-0-multi-cigarette-fashion-edition/> (Year: 2018).*

Case, available at aliexpress.com, earliest customer review date Jul. 29, 2019 [online], site visited Feb. 18, 2022, available from the internet URL: <https://www.aliexpress.com/i/33015469365.html> (Year: 2019).*

Pouch Holder IQOS3 Wallet Case, available at g2a.com, date not available [online], site visited Feb. 18, 2022, available from the internet URL: <https://www.g2a.com/pouch-bag-protective-holder-iqos3-wallet-case-electronic-cigarette-pu-leather-carrying-case-holder-cover-brown-i10000188225003> (Year: 2022).*

Leather Pocket Moleskine Journal Cover—Natural, available at galenleather.com, earliest customer review date May 6, 2016 [online], site visited Feb. 18, 2022, available from the internet URL: <https://www.galenleather.com/products/leather-pocket-moleskine-journal-cover-natural> (Year: 2016).*

* cited by examiner

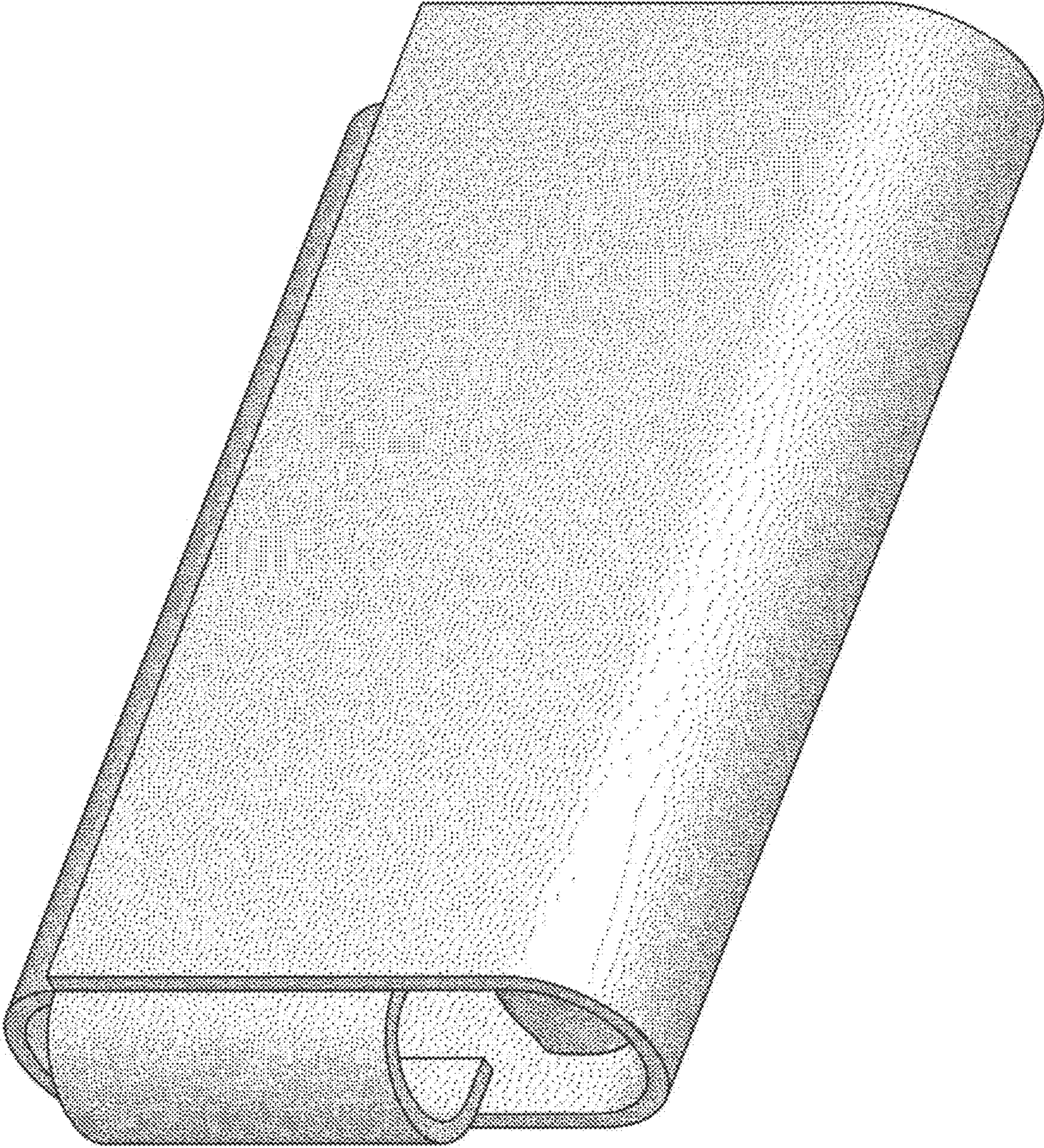


FIG. 1

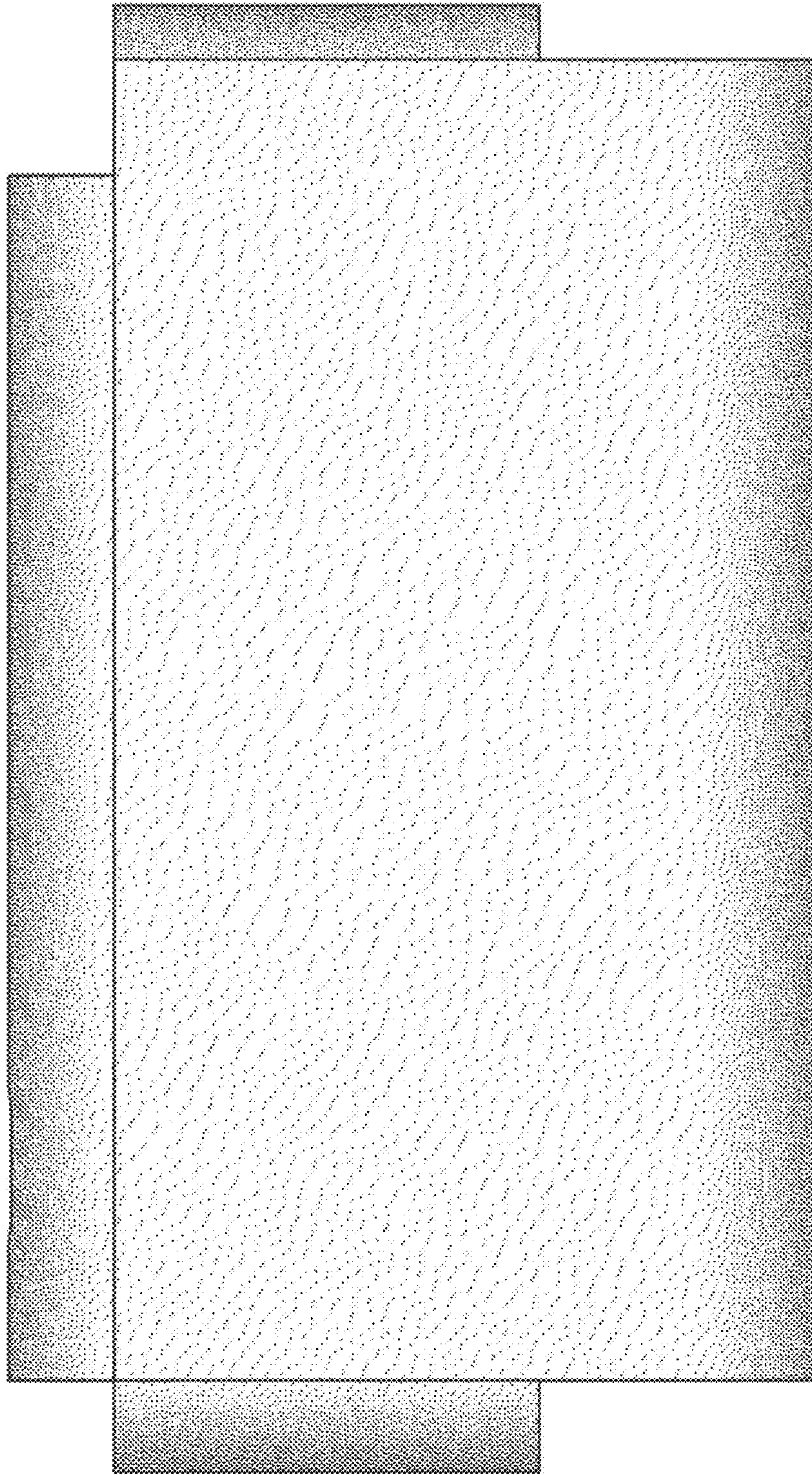


FIG. 2

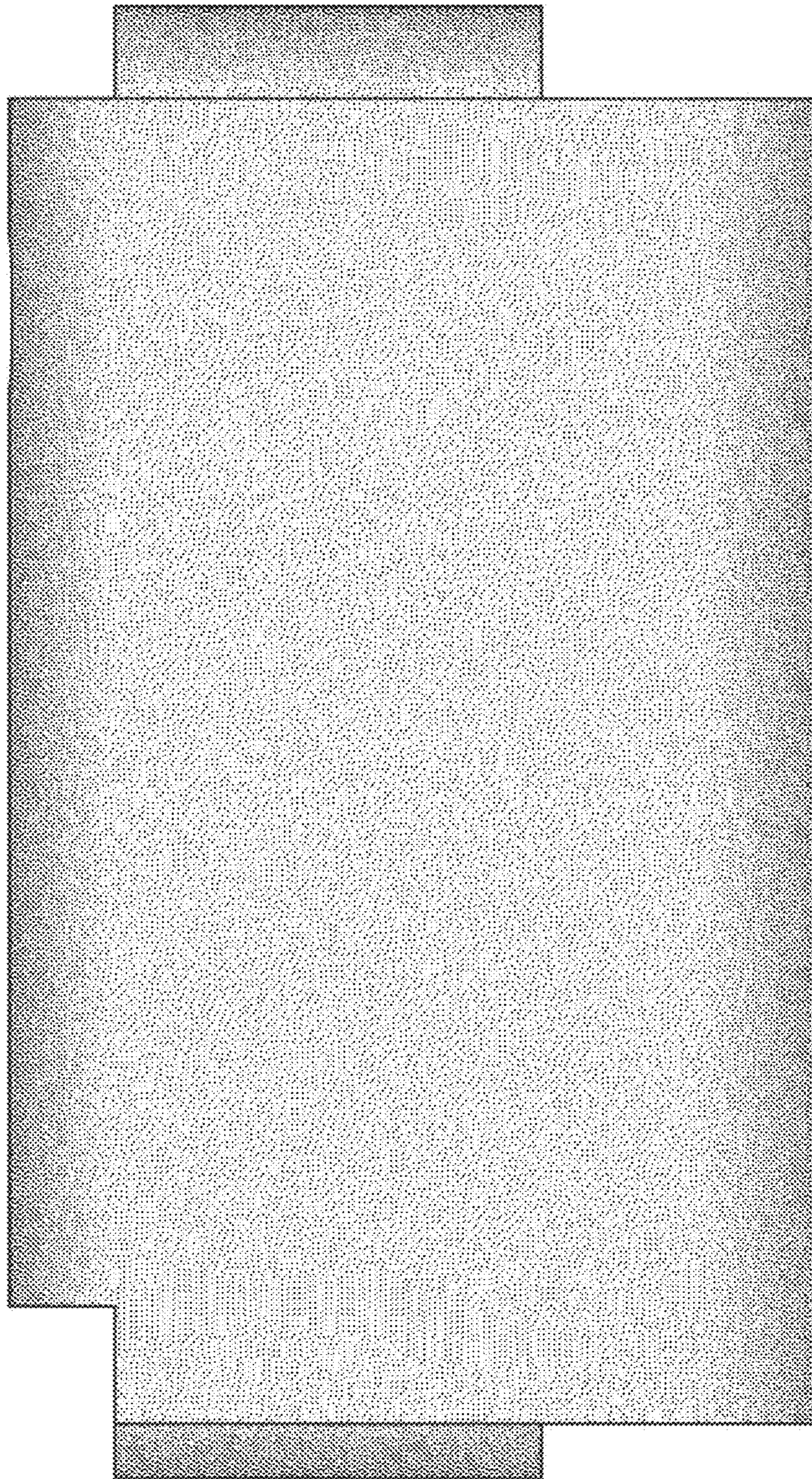


FIG. 3

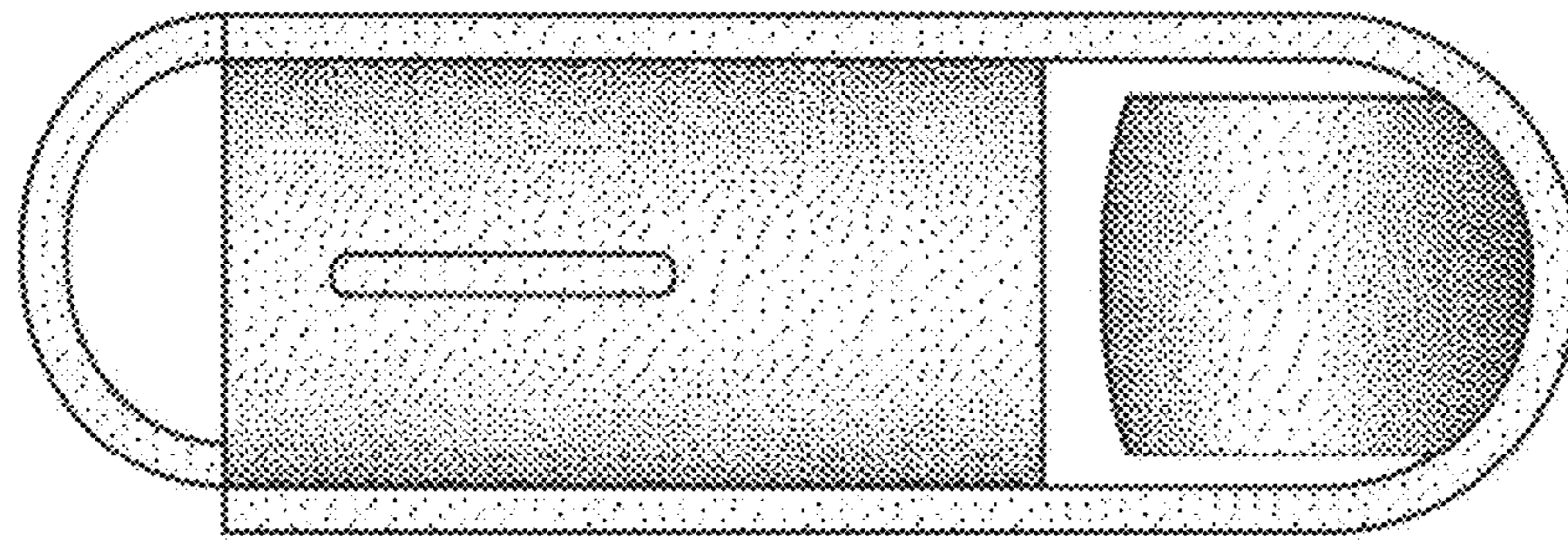


FIG. 4

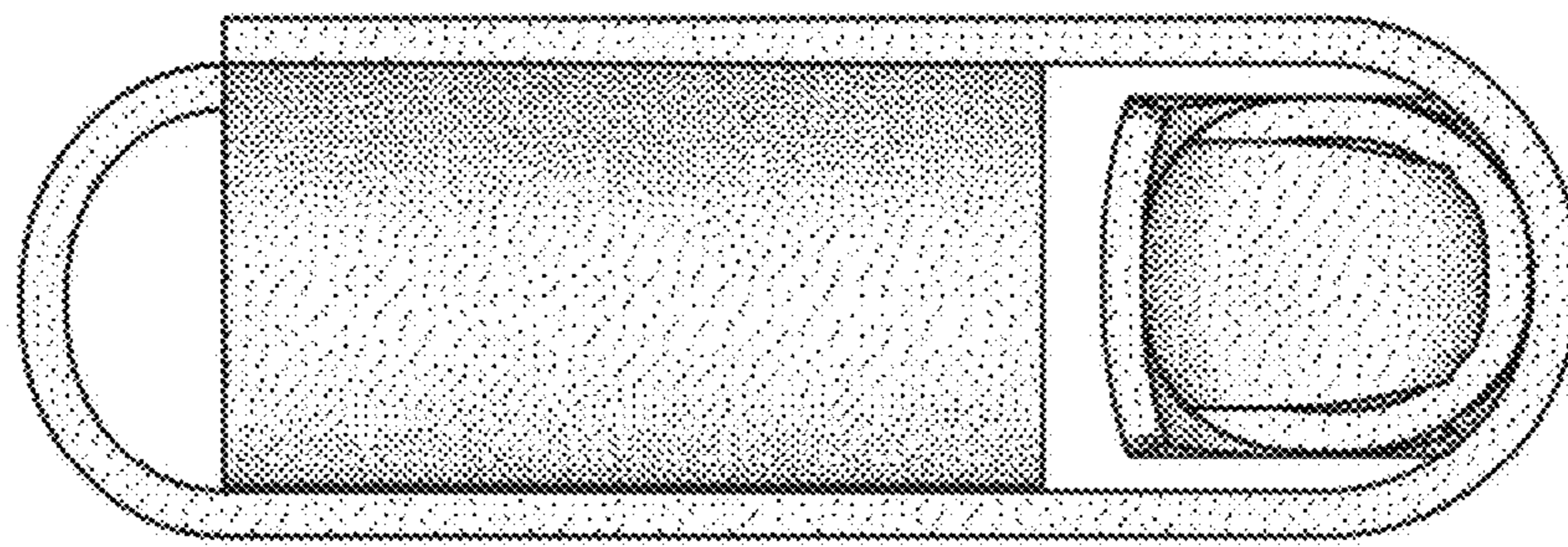


FIG. 5

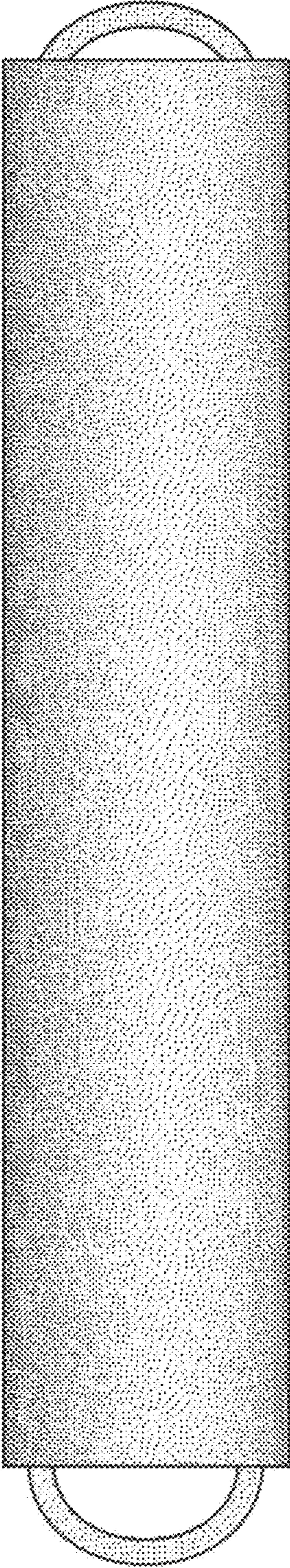


FIG. 6

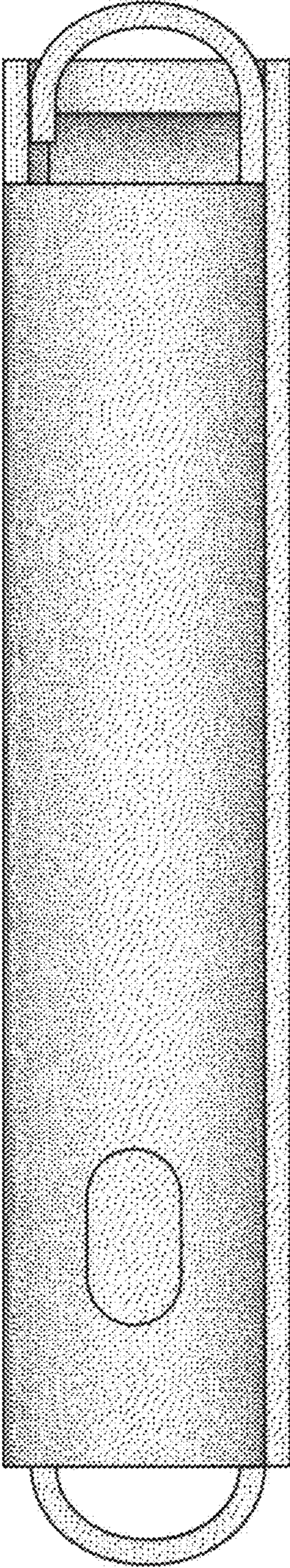


FIG. 7

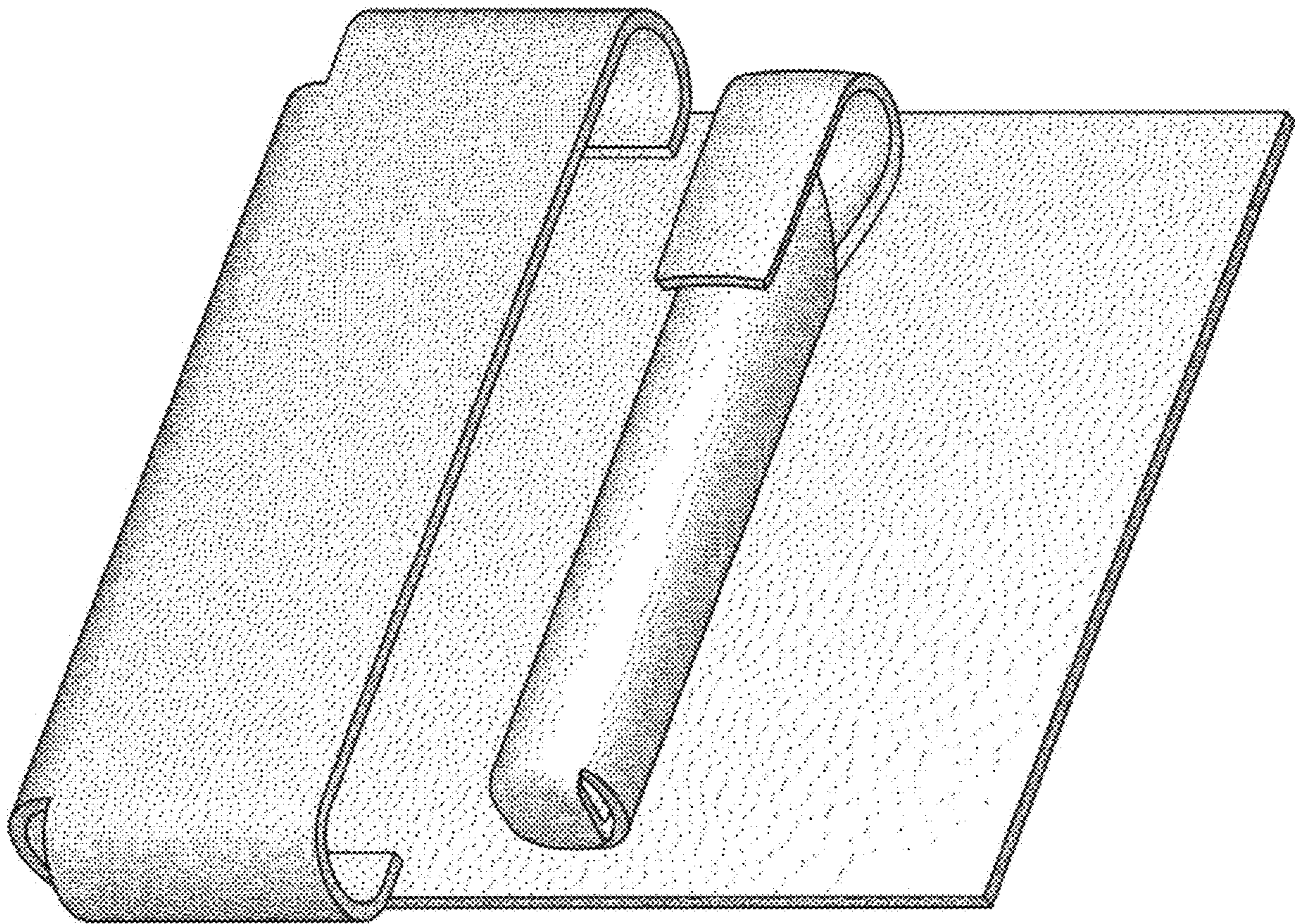


FIG. 8