



US00D957124S

(12) **United States Design Patent**
Luo

(10) **Patent No.:** **US D957,124 S**
(45) **Date of Patent:** **** Jul. 12, 2022**

(54) **COMBINED WIRELESS EARPHONE AND EARPHONE BOX**

(71) Applicant: **Xinhui Luo**, Guangdong (CN)

(72) Inventor: **Xinhui Luo**, Guangdong (CN)

(73) Assignee: **Shenzhen Jiuhe Electronics Co., Ltd.**,
Guangdong (CN)

(**) Term: **15 Years**

(21) Appl. No.: **29/727,269**

(22) Filed: **Mar. 10, 2020**

(51) **LOC (13) Cl.** **03-01**

(52) **U.S. Cl.**
USPC **D3/274**; D14/223; D13/108

(58) **Field of Classification Search**

USPC D3/272, 273, 274, 201, 205, 206, 218,
D3/269, 282, 294, 302; D6/315, 326;
D7/391, 601, 641; D13/107, 108;
D14/201, 223; D32/9, 58; D19/86;
D9/420, 423, 426, 428, 430, 431, 432,
D9/436, 499, 558, 717, 721, 422, 424
CPC H04R 1/1025; H02J 7/0044; Y02E 60/12;
Y01R 13/6675; B65D 85/182; B65D
73/02; A47F 8/02

See application file for complete search history.

(56) **References Cited**

U.S. PATENT DOCUMENTS

D397,865 S * 9/1998 Lin D3/218
D407,972 S * 4/1999 Hilton D9/422
D520,063 S * 5/2006 Scimone D19/75
D535,185 S * 1/2007 Tanner D9/422
D556,444 S * 12/2007 Ipsen D3/203.1
D595,125 S * 6/2009 Doyle D3/298

(Continued)

FOREIGN PATENT DOCUMENTS

EM 006792735-0002 * 11/2019
GB 9006309324-0001 * 3/2019

OTHER PUBLICATIONS

Amazon.com, Site visited Nov. 29, 2021, TOP Bluetooth Earbuds, First available Jan. 20, 2019, <https://www.amazon.com/TOP-Bluetooth-Headphones-Earphones-Waterproof/dp/B07PXX37X3> (Year: 2019).*

(Continued)

Primary Examiner — Brett Miller

Assistant Examiner — Jessica M Gebhart

(57) **CLAIM**

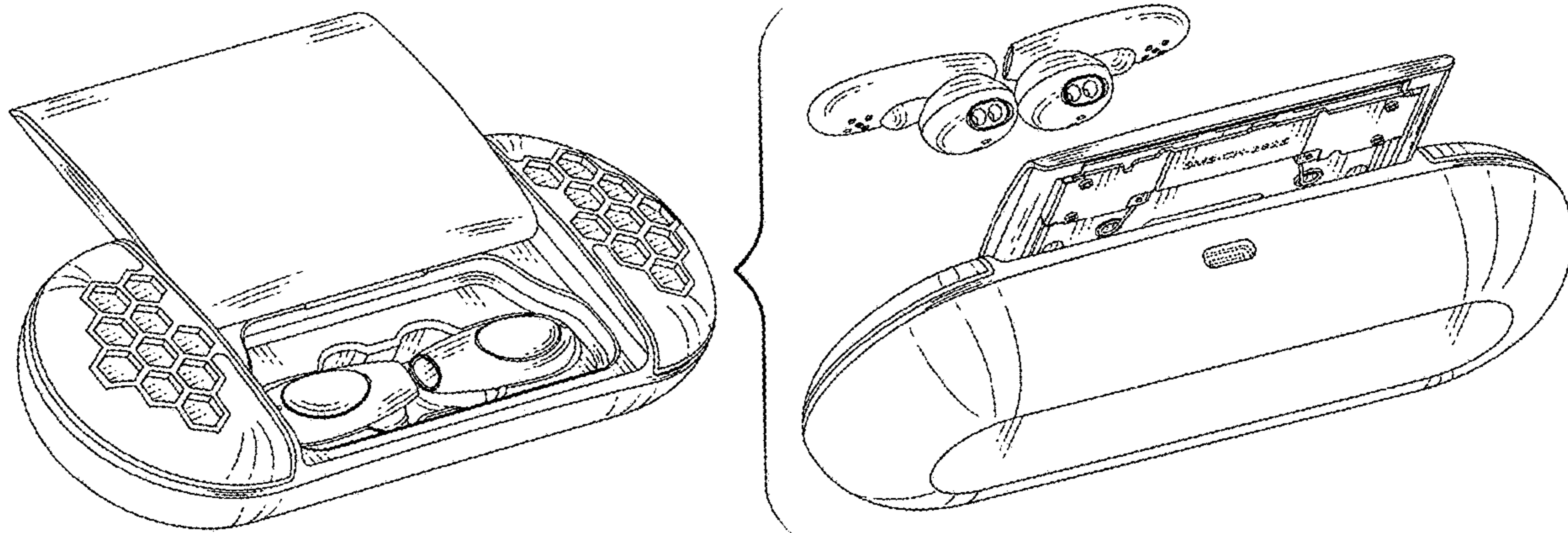
The ornamental design for a combined wireless earphone and earphone box, as shown and described.

DESCRIPTION

FIG. 1 is a perspective view of a combined wireless earphone and earphone box showing my new design; FIG. 2 is a front elevational view thereof; FIG. 3 is a rear elevational view thereof; FIG. 4 is a left side elevational view thereof; FIG. 5 is a right side elevational view thereof; FIG. 6 is a top plan view thereof; FIG. 7 is a bottom plan view thereof; FIG. 8 is a rear side perspective view thereof; FIG. 9 is a front side perspective view thereof, shown the state of a pair of wireless earphones is out of the earphone box; FIG. 10 is a rear side perspective view thereof, shown the state of a pair of wireless earphones is out of the earphone box; and, FIG. 11 is another rear side perspective view thereof, shown the state of a pair of wireless earphones is out of the earphone box.

The broken lines in the drawings depict portions of the combined wireless earphone and earphone box that form no part of the claimed design.

1 Claim, 11 Drawing Sheets



(56)

References Cited

U.S. PATENT DOCUMENTS

D640,132 S *	6/2011	Cohen	D9/428
D642,903 S *	8/2011	Pourian	D9/422
D789,784 S *	6/2017	Hendricks	D9/424
9,981,783 B2 *	5/2018	Valley, III	B65D 43/20
D883,197 S *	5/2020	Doucet	D13/107
D886,454 S *	6/2020	Williamson	D3/294
D888,423 S *	6/2020	Chen	D3/274
D904,295 S *	12/2020	Cai	D13/108
D904,760 S *	12/2020	Hyun	D3/273
D908,960 S *	1/2021	Ramm	D28/47
D917,389 S *	4/2021	Ye	D13/108
D933,004 S *	10/2021	Li	D13/108

OTHER PUBLICATIONS

Youtube.com, Site visited Nov. 29, 2021, "Review: PaMu Slide—Best Budget TWS Wireless Earbuds?!" uploaded by OS Reviews on Jul. 7, 2019, <https://youtu.be/Ka513pWMTLE> (Year: 2019).*

Youtube.com, Site visited Nov. 29, 2021, "Solid True Wireless Earbuds with Metal Charging Case—EWA T200," uploaded by OCD Reviews on Sep. 28, 2019, <https://www.youtube.com/watch?v=QSFStilFbel> (Year: 2019).*

* cited by examiner

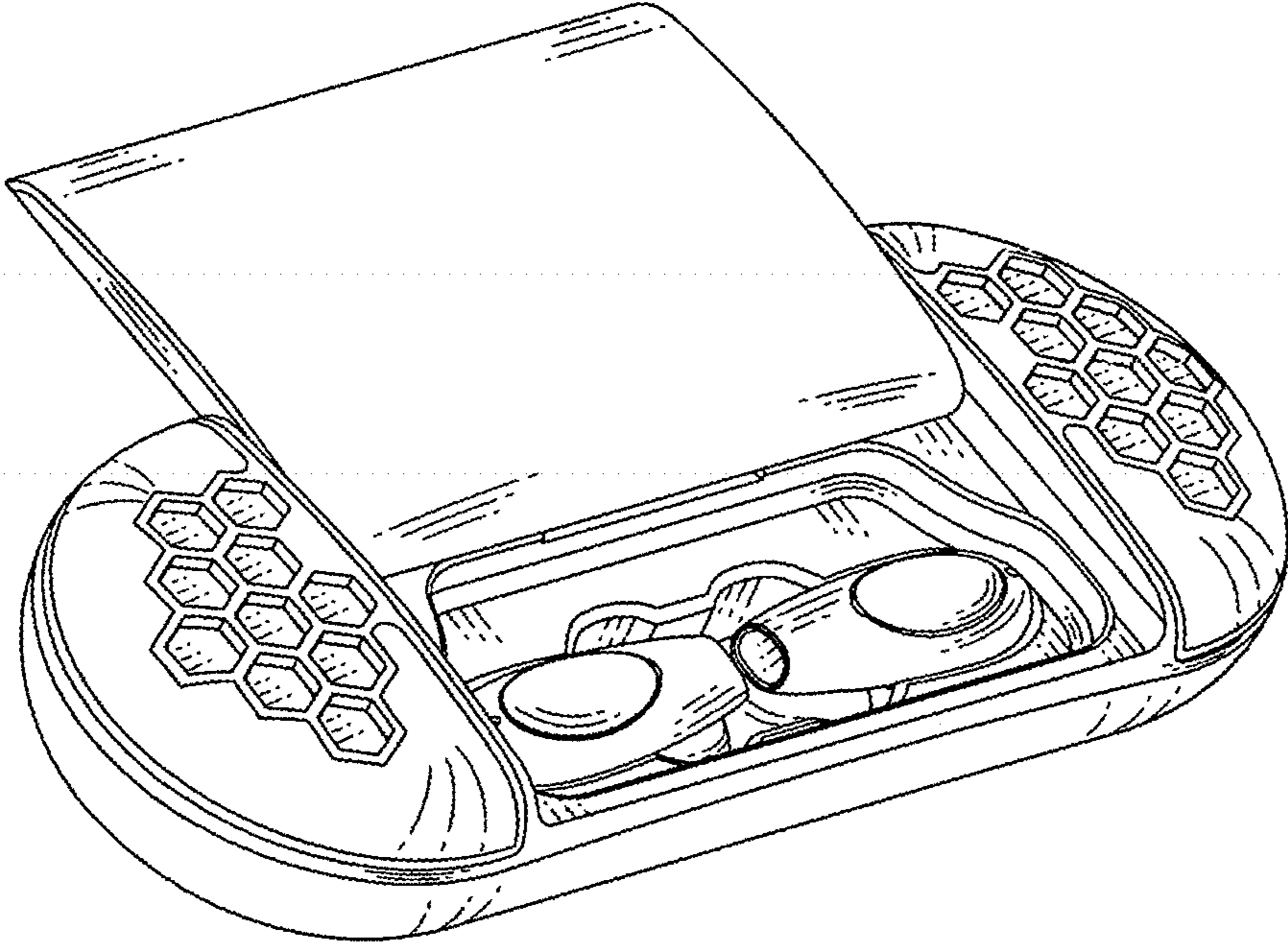


FIG. 1

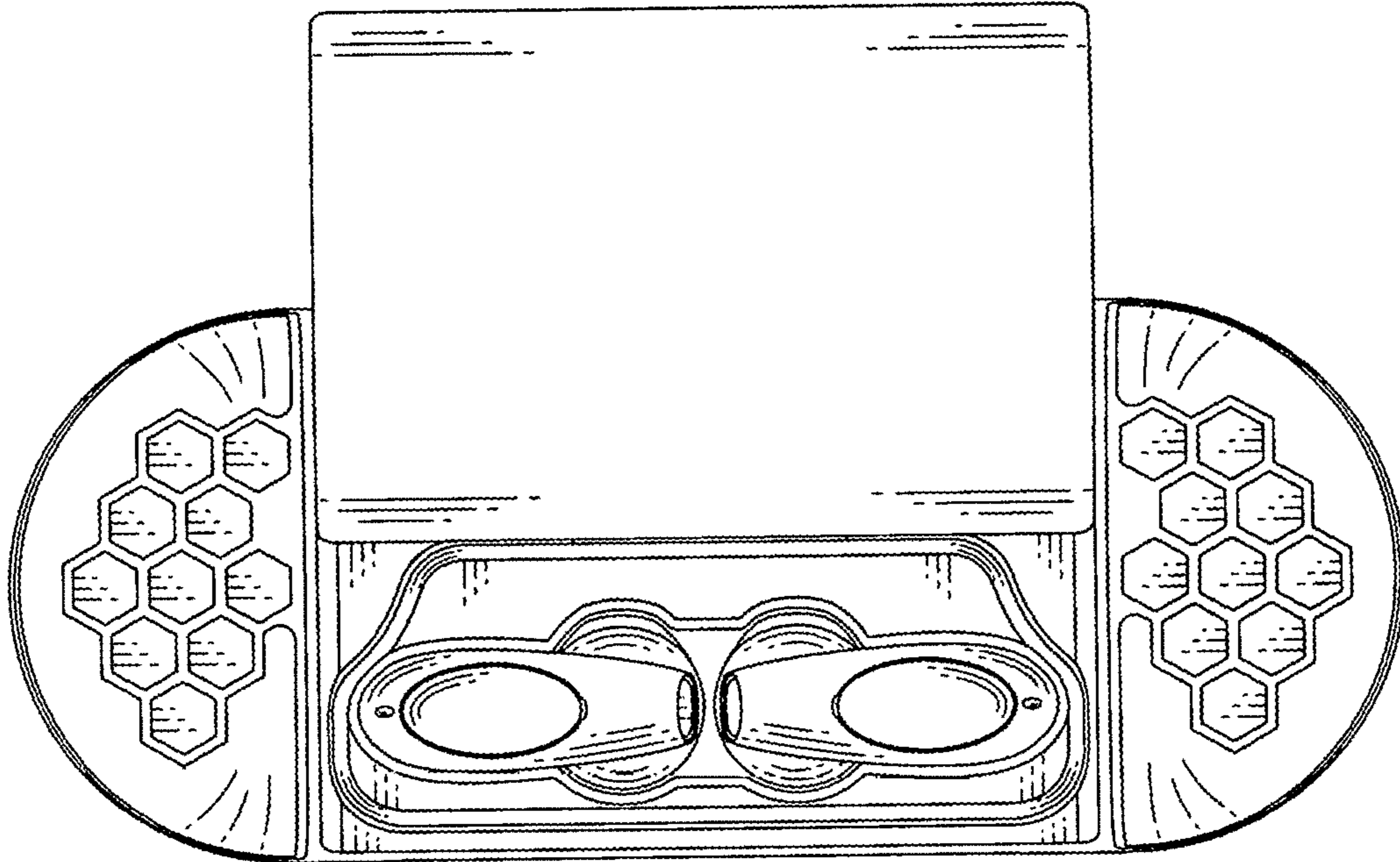


FIG. 2

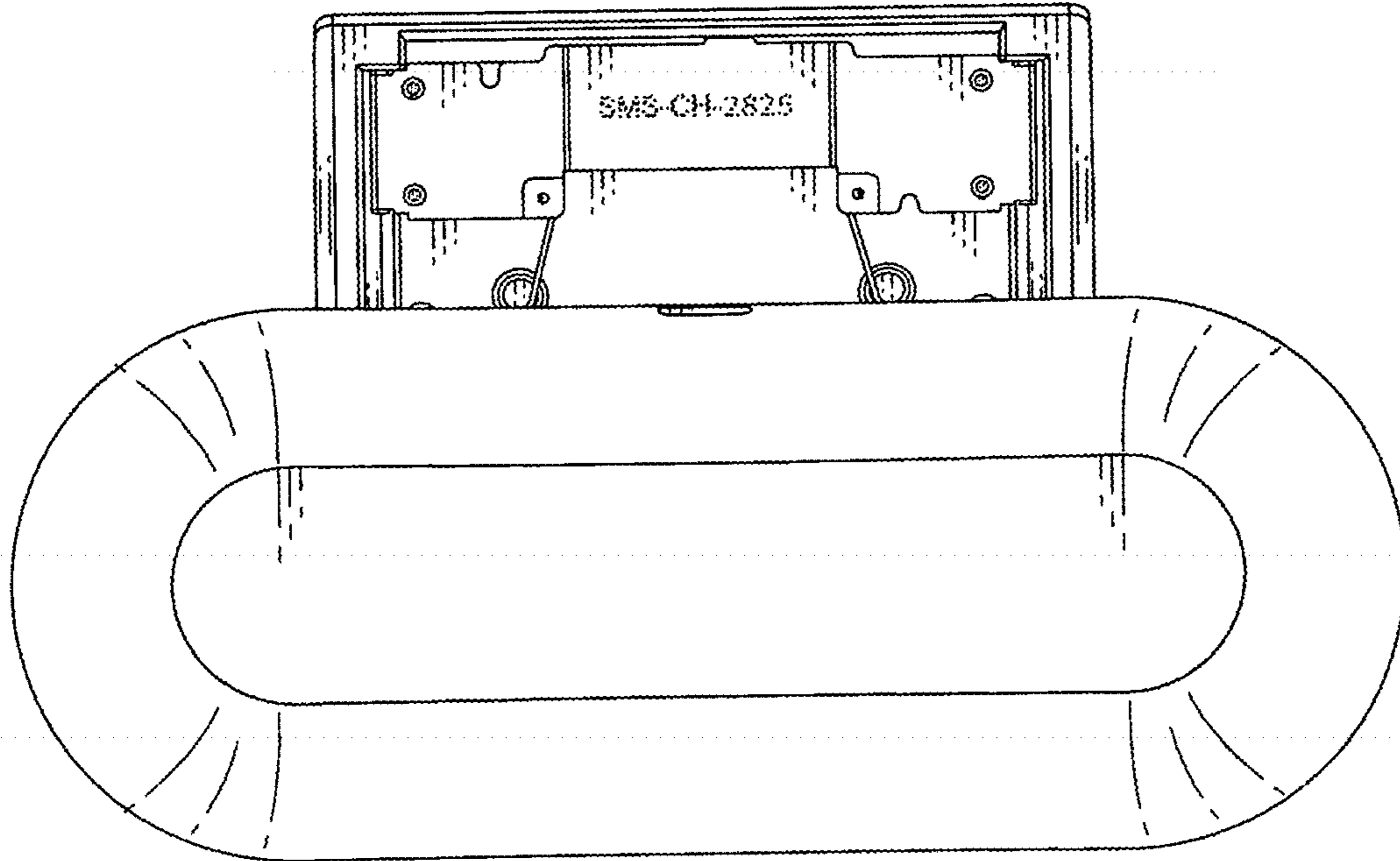


FIG. 3

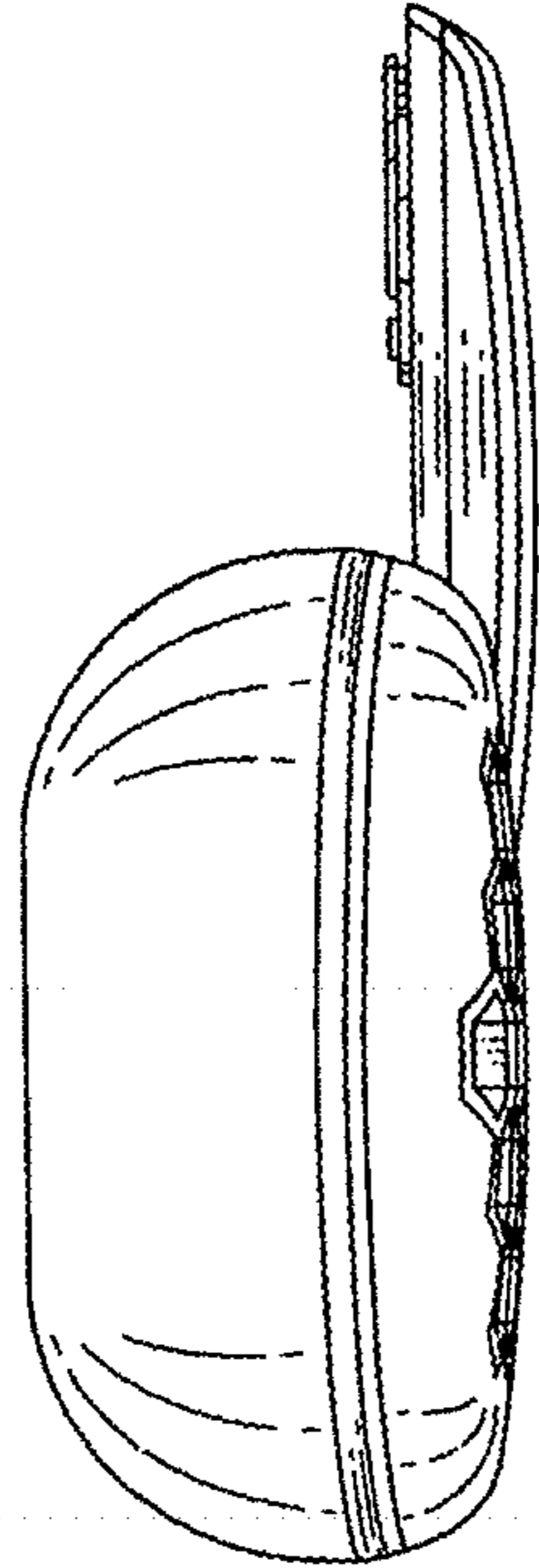


FIG. 4

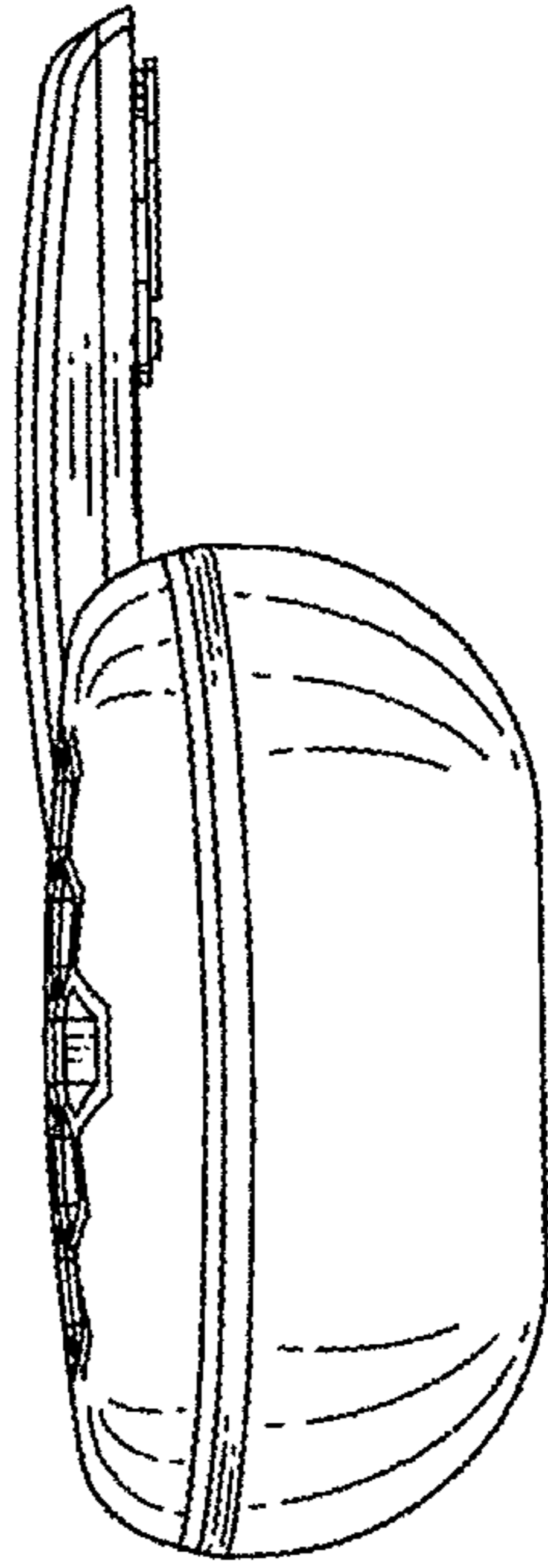


FIG. 5

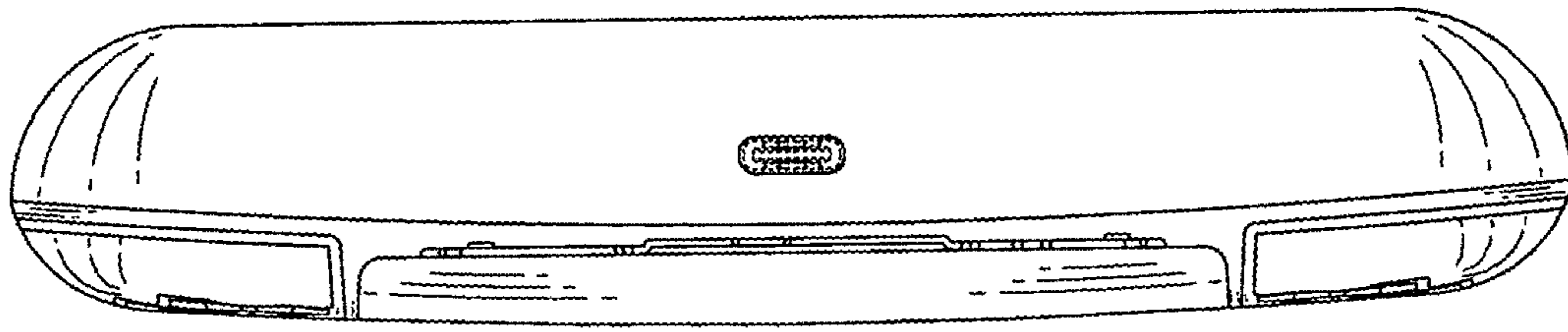


FIG. 6

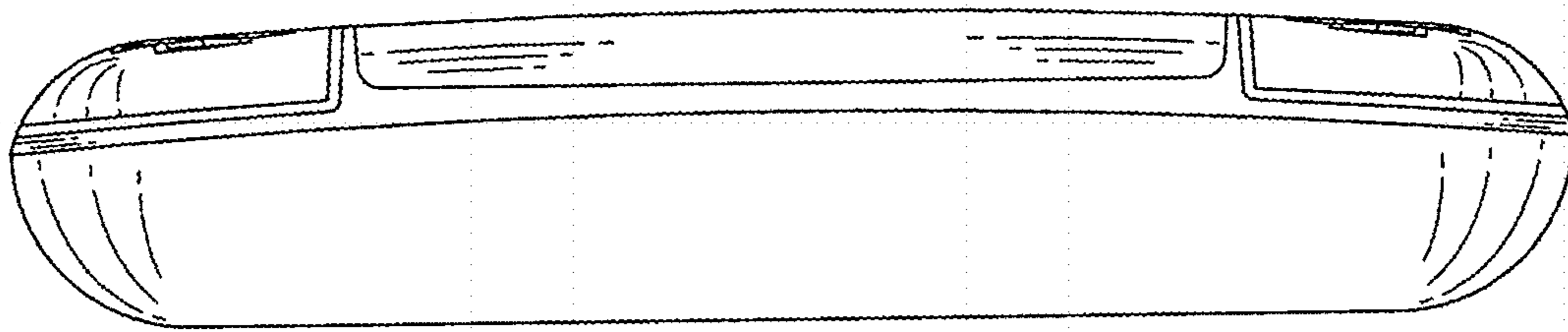


FIG. 7

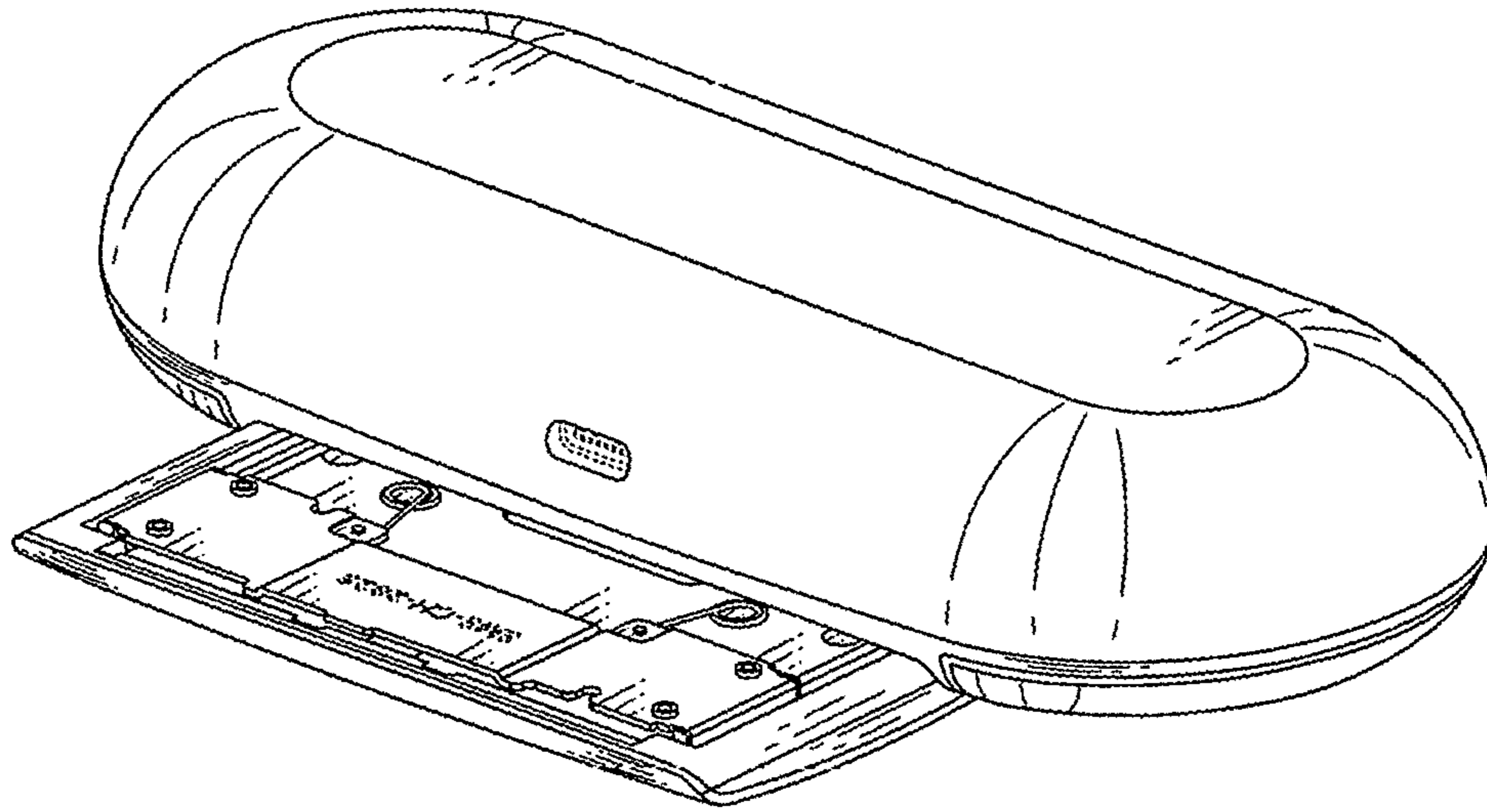


FIG. 8

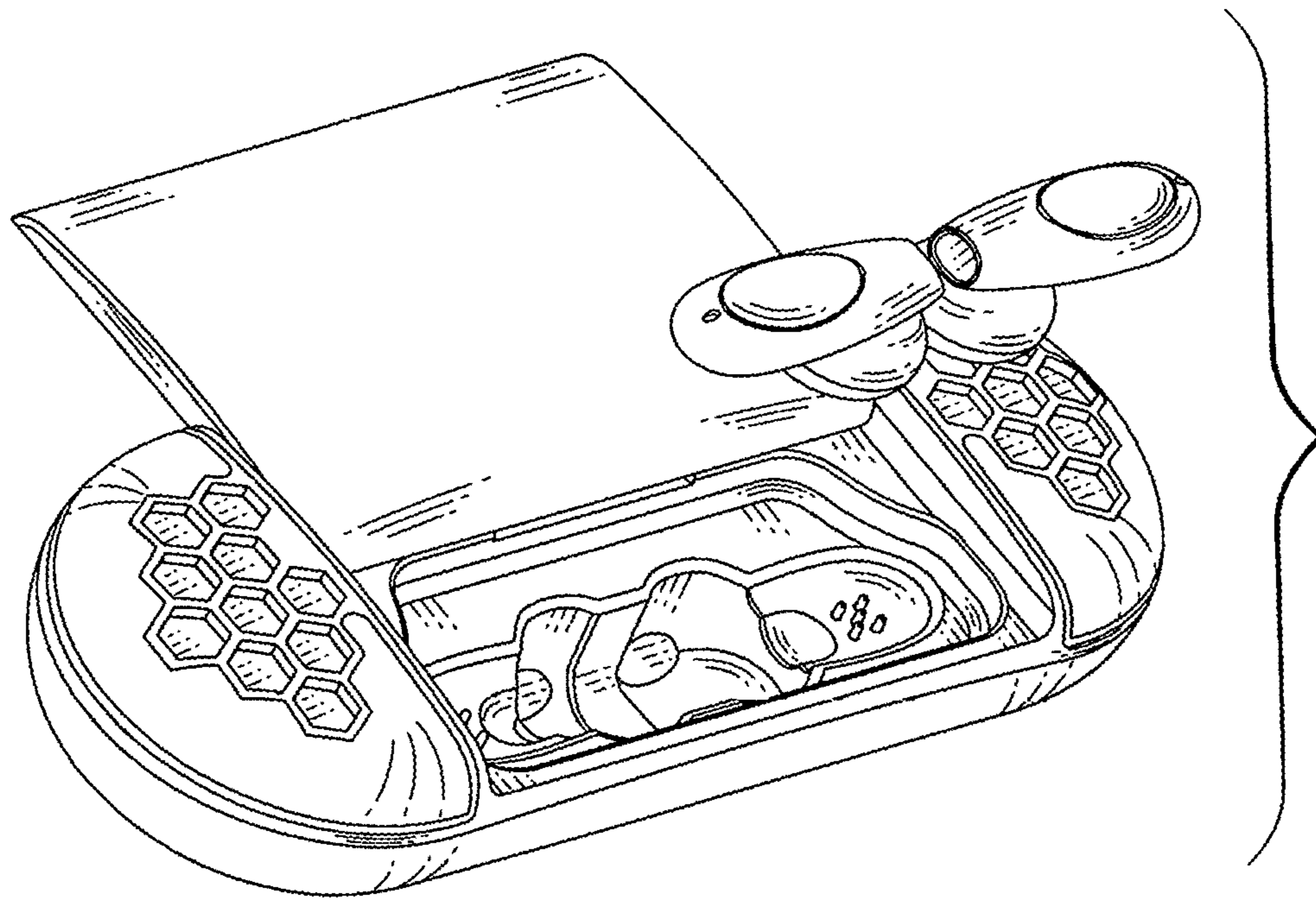


FIG. 9

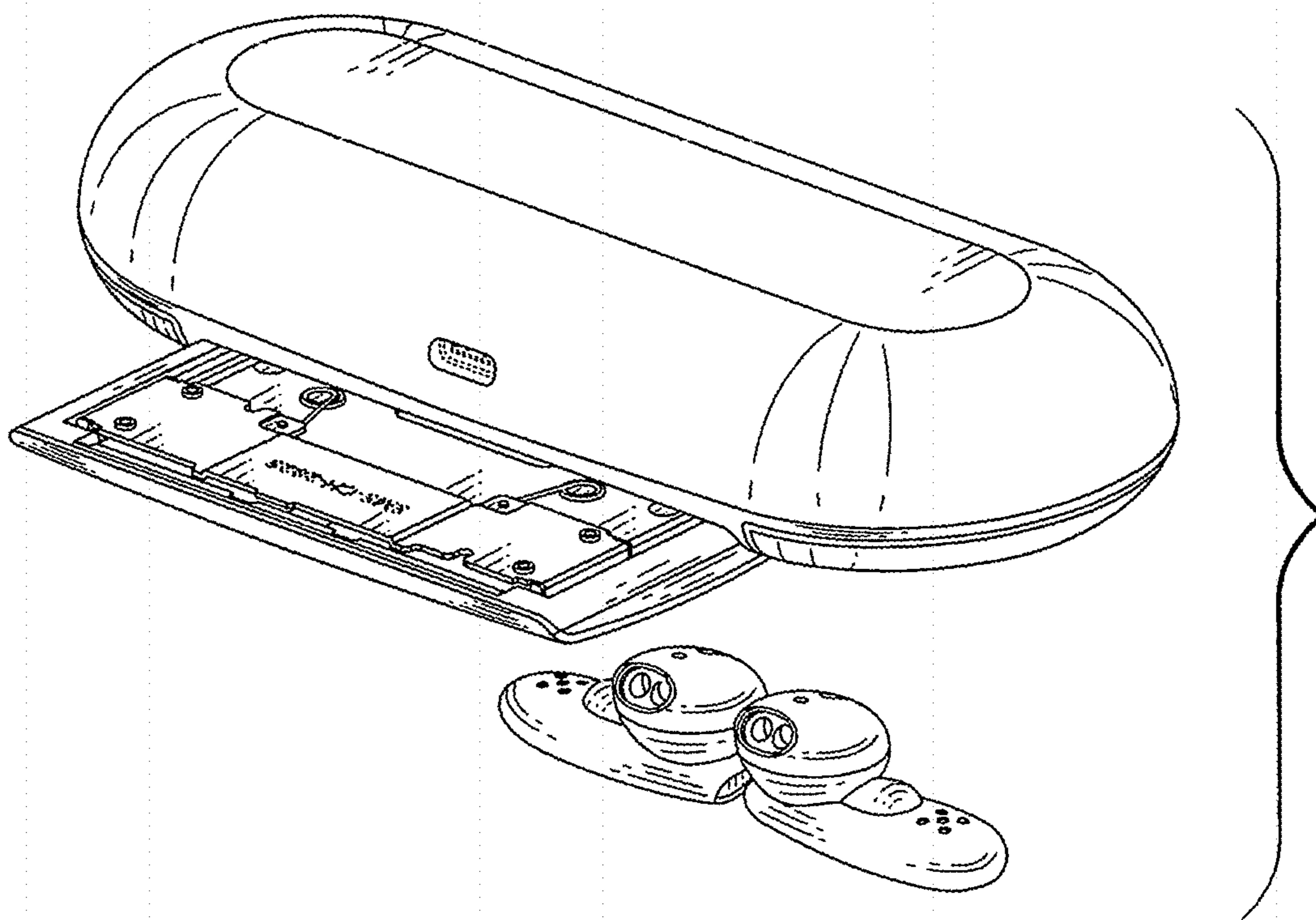


FIG. 10

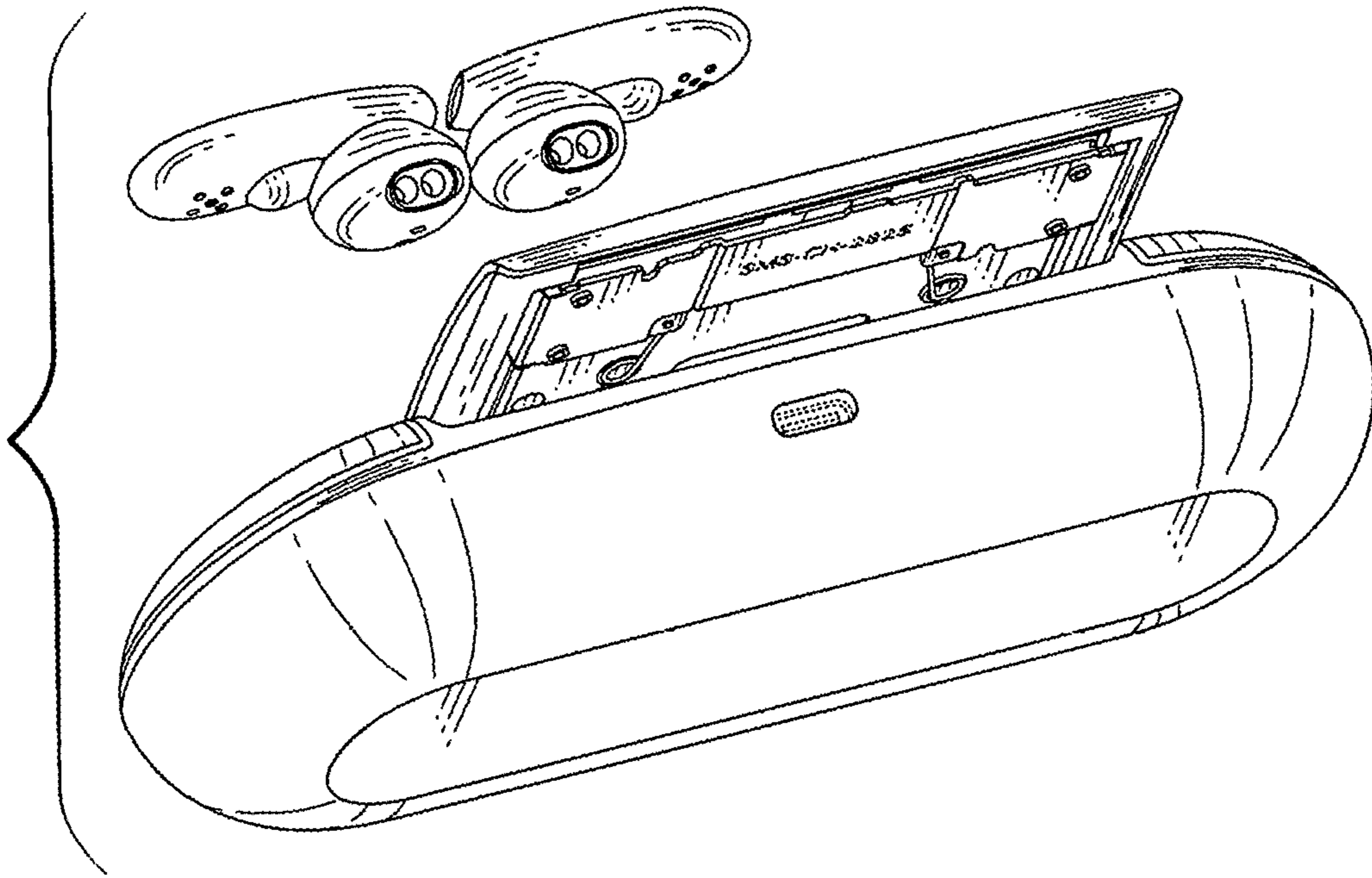


FIG. 11