



US00D957122S

(12) **United States Design Patent** (10) **Patent No.:** **US D957,122 S**
Jones (45) **Date of Patent:** **** Jul. 12, 2022**

(54) **FIREARM-MOUNTED AMMUNITION HOLDER**

(71) Applicant: **Alpine Innovations LLC**, Lehi, UT (US)

(72) Inventor: **Darren Jones**, American Fork, UT (US)

(73) Assignee: **Alpine Innovations LLC**, Lehi, UT (US)

(**) Term: **15 Years**

(21) Appl. No.: **29/616,331**

(22) Filed: **Sep. 5, 2017**

(51) **LOC (13) Cl.** **03-01**

(52) **U.S. Cl.**
USPC **D3/262; D3/303**

(58) **Field of Classification Search**
USPC D3/221, 215, 224, 226, 228, 225, 230;
224/245, 671, 679, 680, 219, 222, 267,
224/269, 655; D22/108, 199

(Continued)

(56) **References Cited**

U.S. PATENT DOCUMENTS

D379,713 S * 6/1997 MacLean D3/232
D410,331 S * 6/1999 Hamilton D3/221

(Continued)

FOREIGN PATENT DOCUMENTS

EM 000897806-0001 * 4/2008

OTHER PUBLICATIONS

Ammo Slicker Product Video, posted at youtube.com, posted Oct. 26, 2018, online, URL:<https://www.youtube.com/watch?v=rCcn84kGfLM> (Year: 2018).*

Primary Examiner — Mary Shannon Malley
(74) *Attorney, Agent, or Firm* — Thorpe North & Western, LLP; David W. Osborne

(57) **CLAIM**

What is claimed is the ornamental design for a firearm-mounted ammunition holder, as shown and described.

DESCRIPTION

FIG. 1 is a front view of a firearm mounted ammunition holder showing the new design in a flattened state of non-use;

FIG. 2 is a back view thereof;

FIG. 3 is a top view thereof;

FIG. 4 is a bottom view thereof;

FIG. 5 is a left side view thereof;

FIG. 6 is right side view thereof;

FIG. 7 is a left side perspective view thereof;

FIG. 8 is a front view thereof with an open front flap;

FIG. 9 is a front view thereof with an open front flap and a back flap detached from a front surface of a pocket flap to create an open bottom;

FIG. 10 is a front view with an open front flap and a pocket flap laid back on an interior surface of the front flap to expose interior surfaces of the pocket flap and the back flap;

FIG. 11 is a left side perspective view with the front flap open and the back flap detached from a front surface of a pocket flap;

FIG. 12 is a front view of the design in a state of use, whereby the article is shown with an opening allowing it to be mounted on a firearm;

FIG. 13 is a back view thereof;

FIG. 14 is a top view thereof;

FIG. 15 is a bottom view thereof;

FIG. 16 is a left side view thereof;

FIG. 17 is right side view thereof;

FIG. 18 is a left side perspective view thereof;

FIG. 19 is a front view of the design mounted on a firearm;

FIG. 20 is a front view thereof with a front flap open;

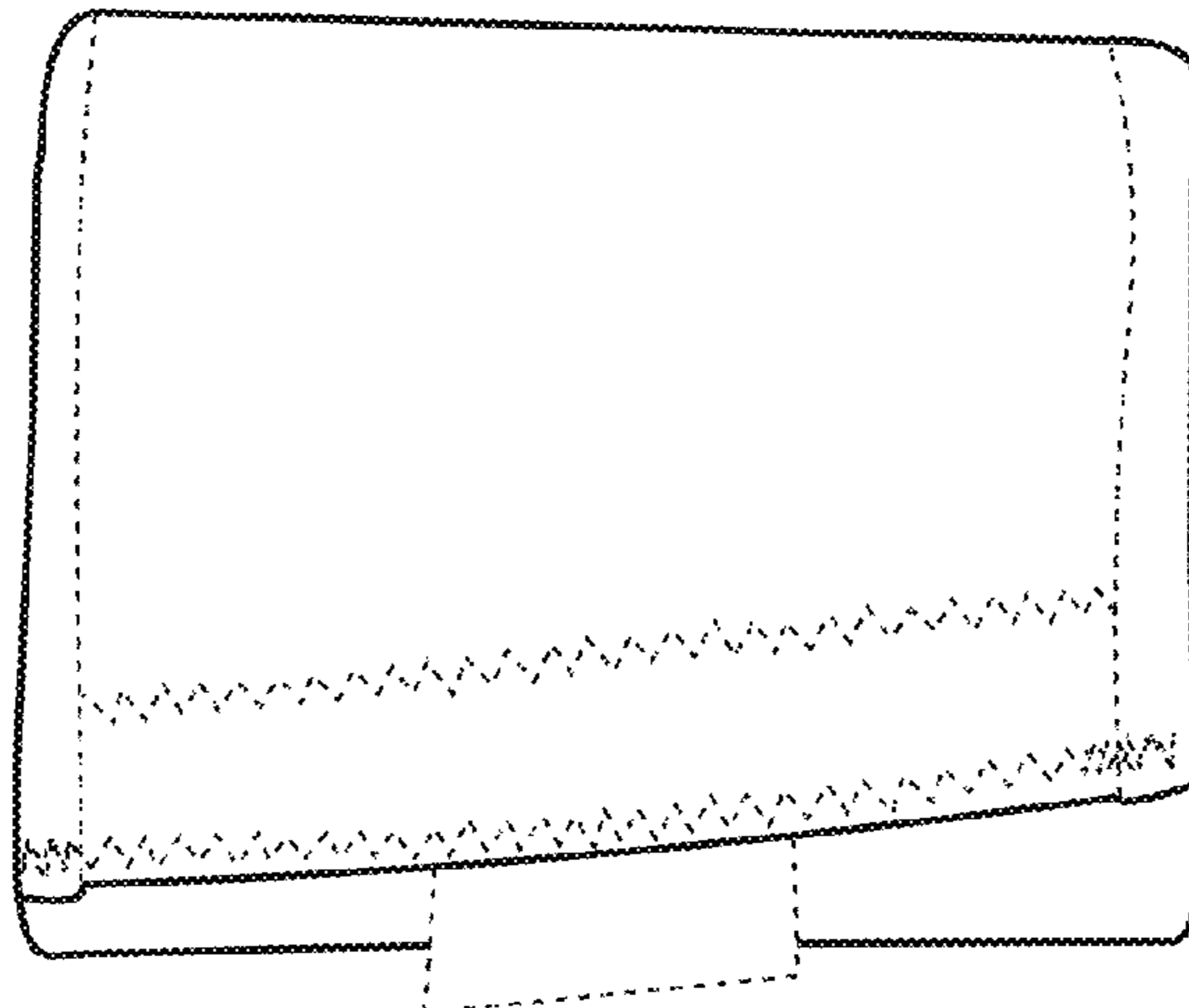
FIG. 21 is a front view thereof with a front flap open and articulated behind a back flap;

FIG. 22 is a perspective view thereof;

FIG. 23 is a perspective view thereof with a front flap open; and,

FIG. 24 is a perspective view thereof with a front flap open and articulated behind a back flap.

(Continued)



The broken lines depicting a firearm and ammunition are directed towards environment and form no part of the claimed design. The broken lines showing stitching do not form part of the claimed design. All other broken lines show portions of the firearm mounted ammunition holder that form no part of the claimed design.

1 Claim, 14 Drawing Sheets

(58) Field of Classification Search

CPC A45F 5/02; A45F 5/021; A45F 2003/144;
A45F 2200/0591; F42B 39/02

See application file for complete search history.

(56) References Cited

U.S. PATENT DOCUMENTS

D680,321	S	*	4/2013	Jones	D3/215
D721,888	S	*	2/2015	Nabet, Jr.	D3/226
D737,048	S	*	8/2015	Sekula	D3/224
D793,078	S	*	8/2017	Casadesus	D3/221
D797,443	S	*	9/2017	Holmes	D3/226
D799,212	S	*	10/2017	Huante	D3/303
D804,179	S	*	12/2017	Kolstad	D3/303
D820,585	S	*	6/2018	O'Brien	D3/224
2005/0263550	A1	*	12/2005	Williams	A45F 5/00 224/221
2009/0178218	A1	*	7/2009	Jones	A47L 13/16 15/105
2011/0290676	A1	*	12/2011	Kershenstein	A45C 11/00 206/37

* cited by examiner

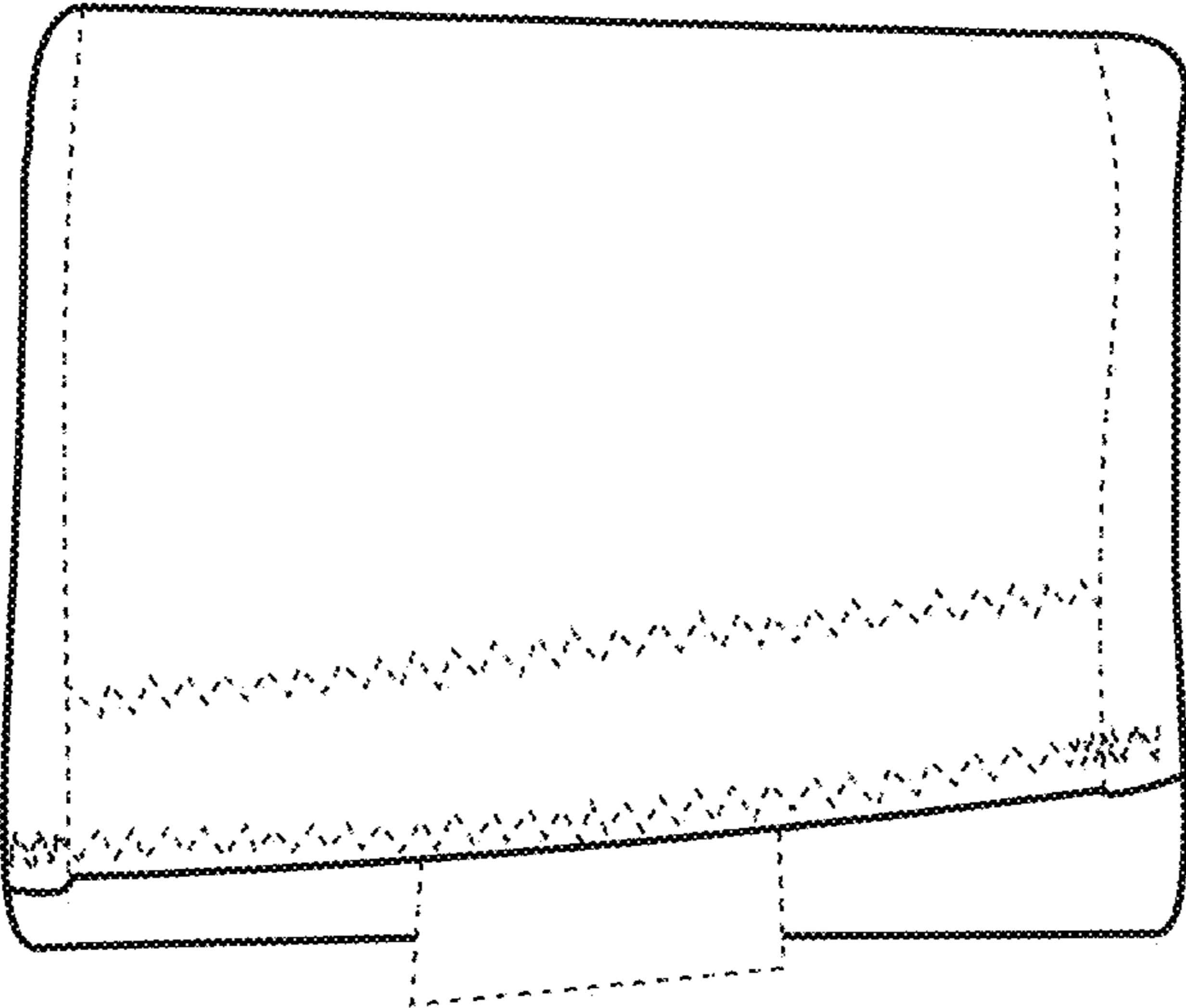


FIG. 1

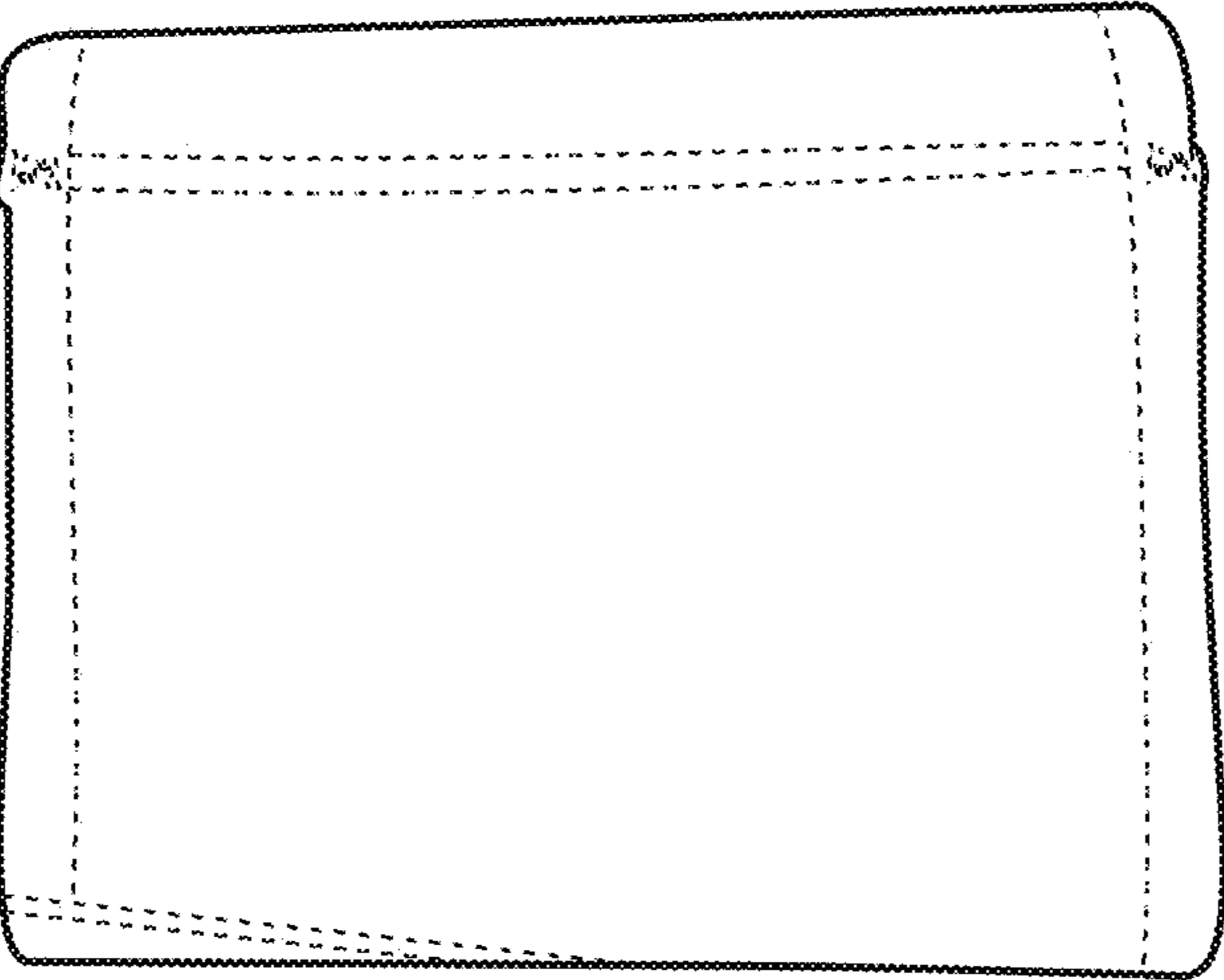


FIG. 2

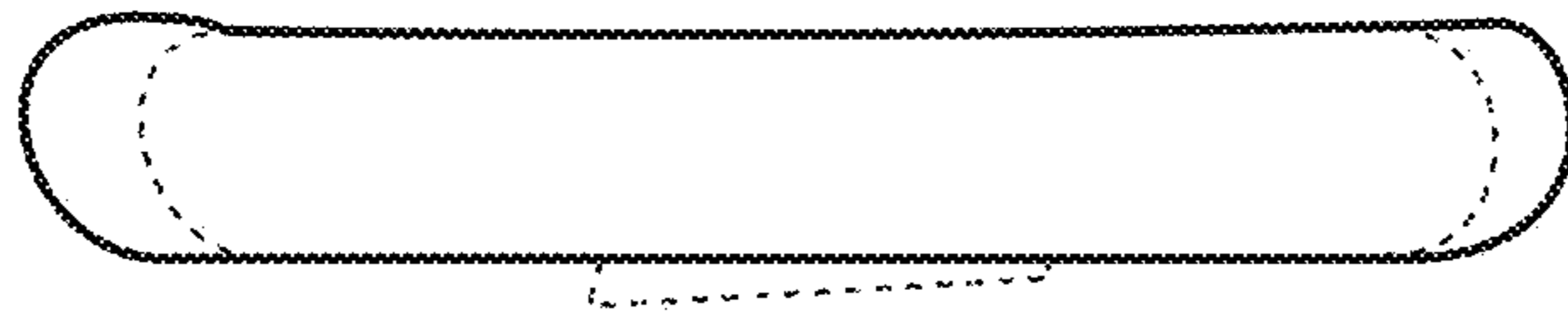


FIG. 3

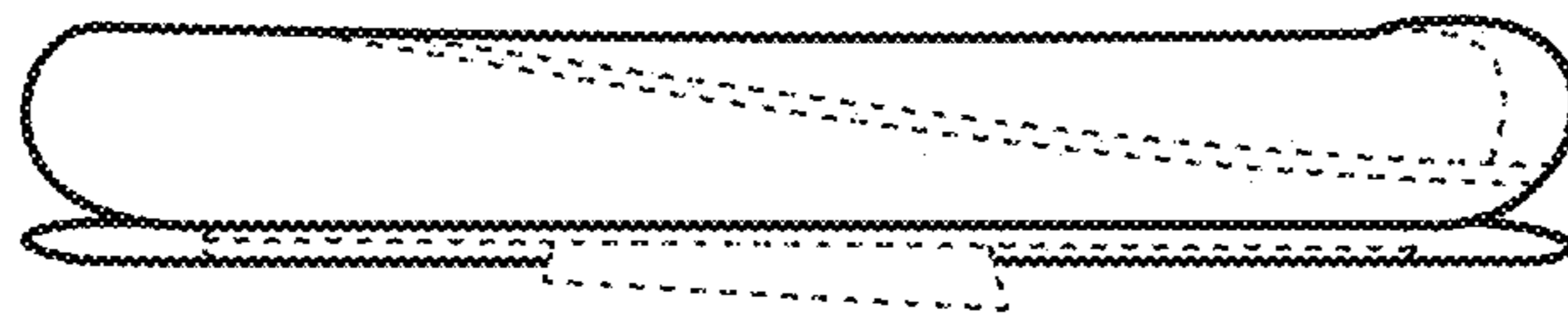


FIG. 4

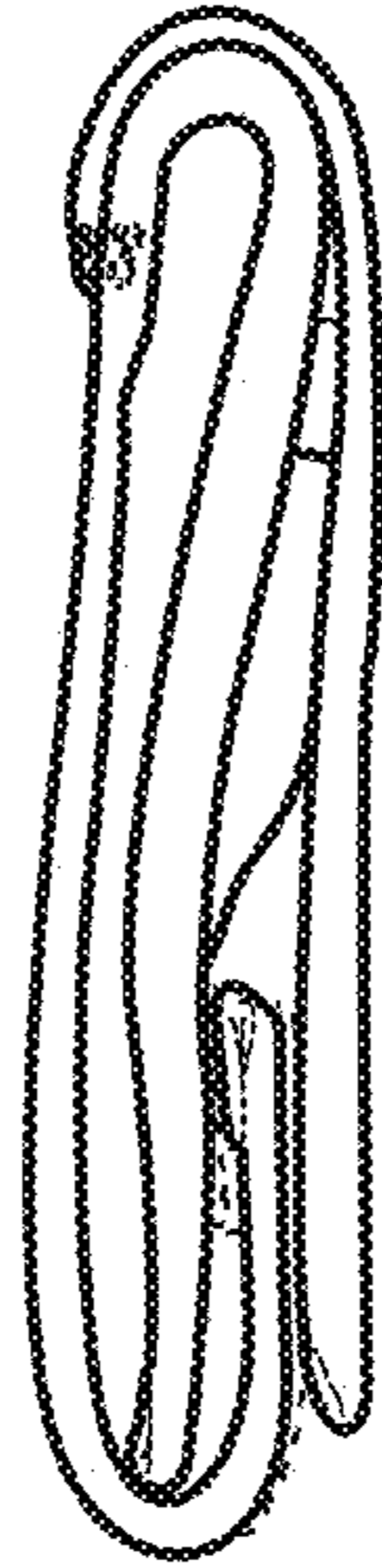


FIG. 5

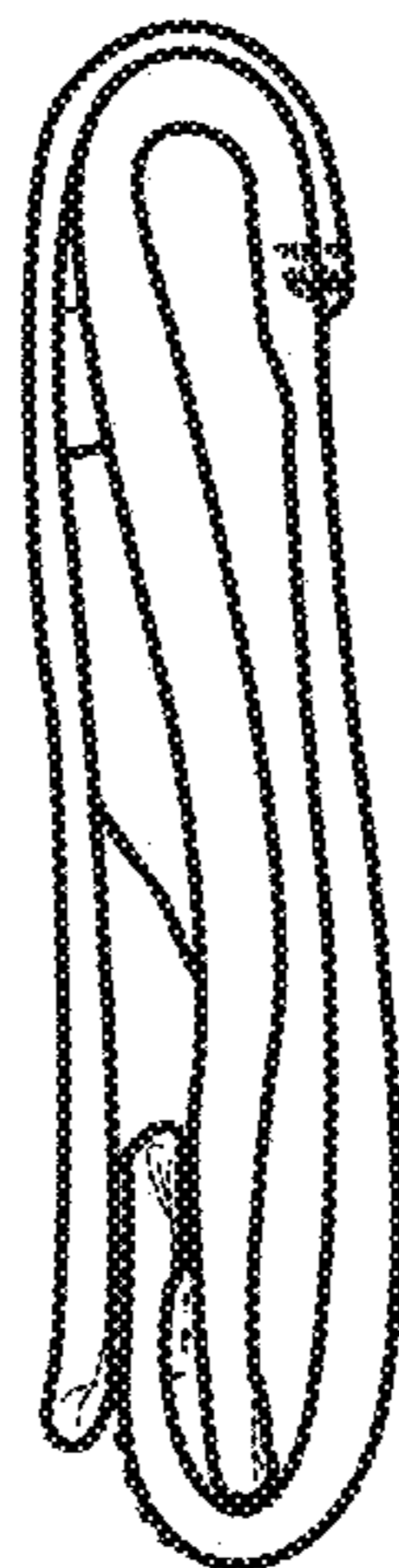


FIG. 6

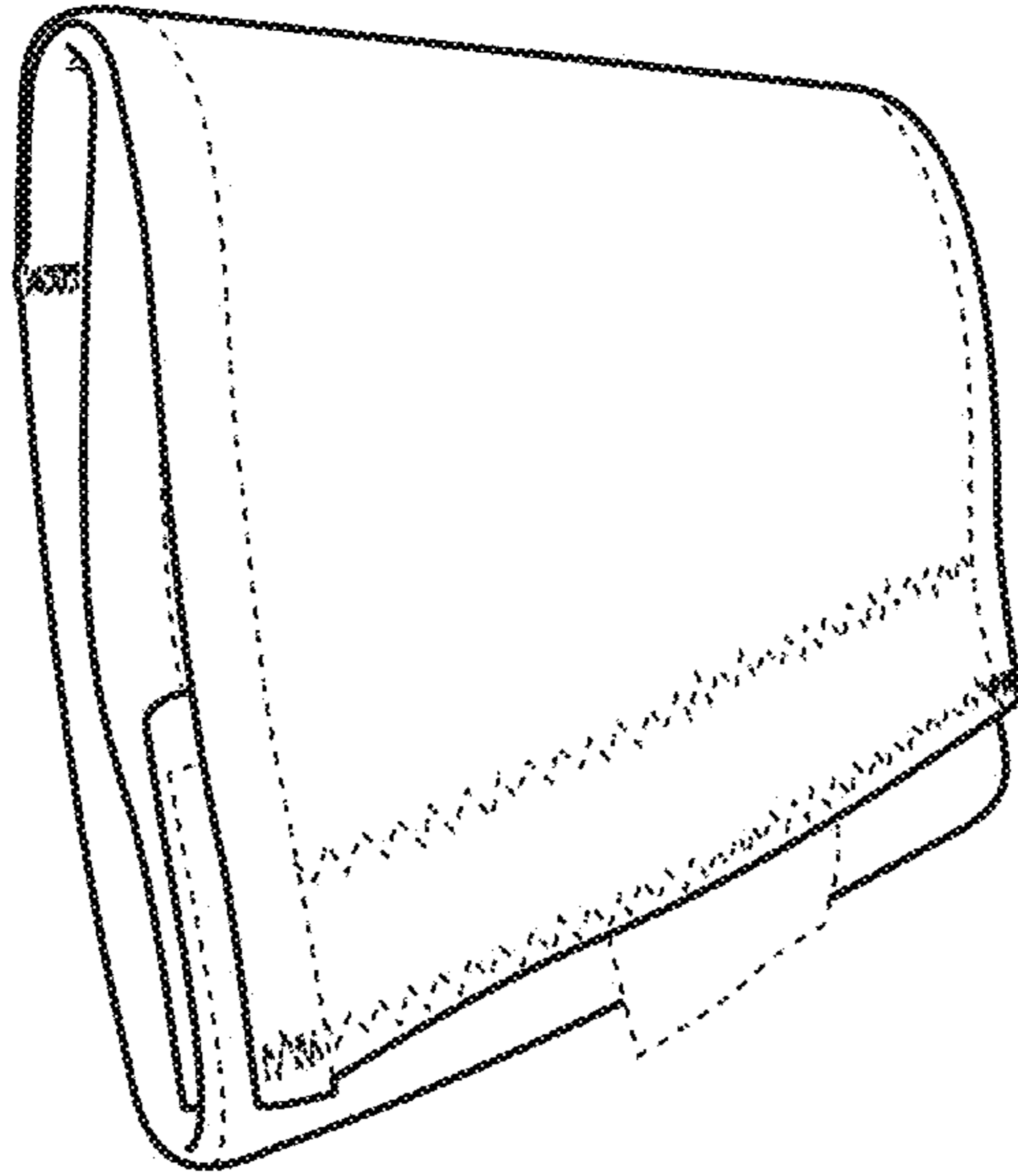


FIG. 7

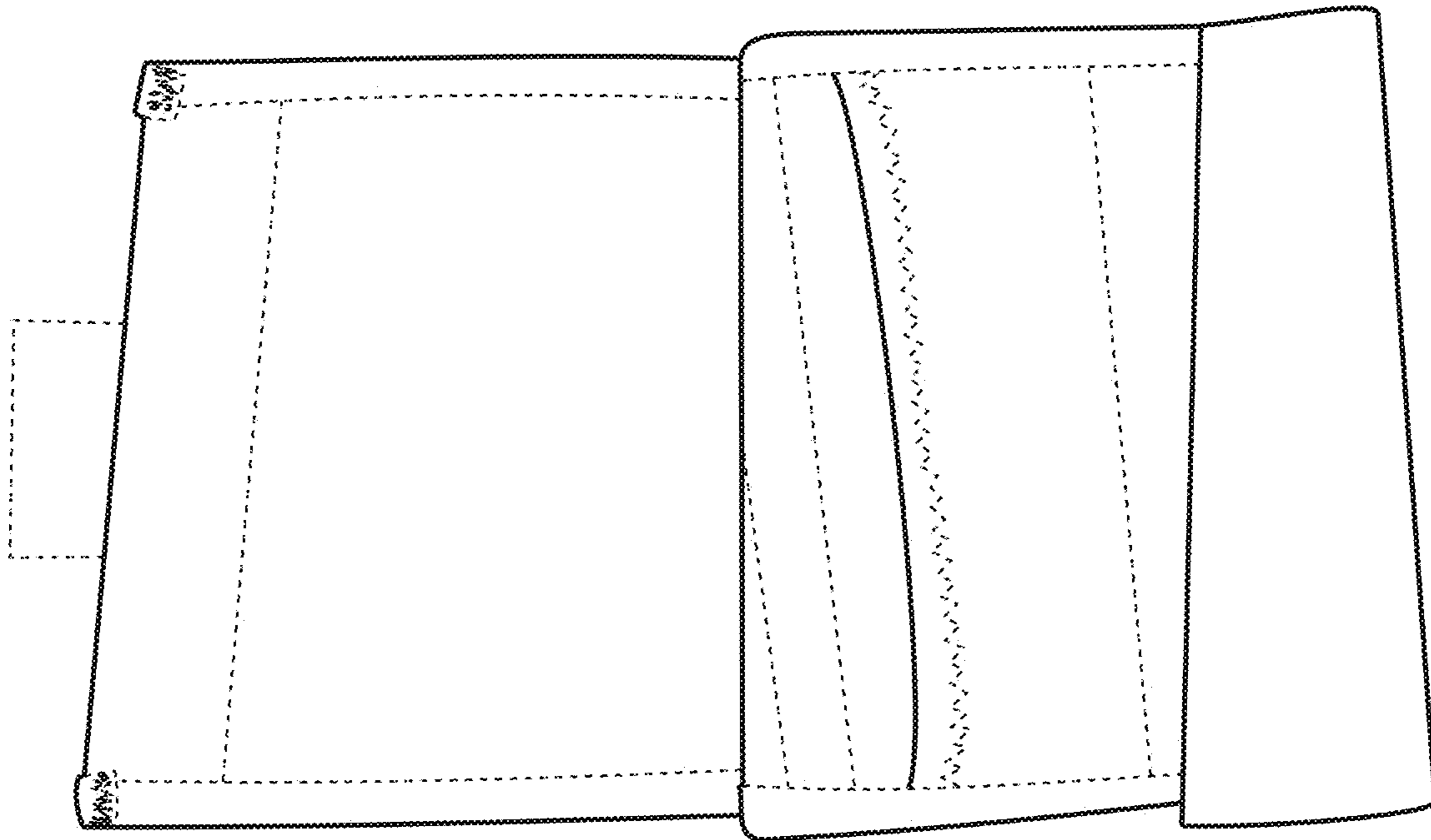


FIG. 8

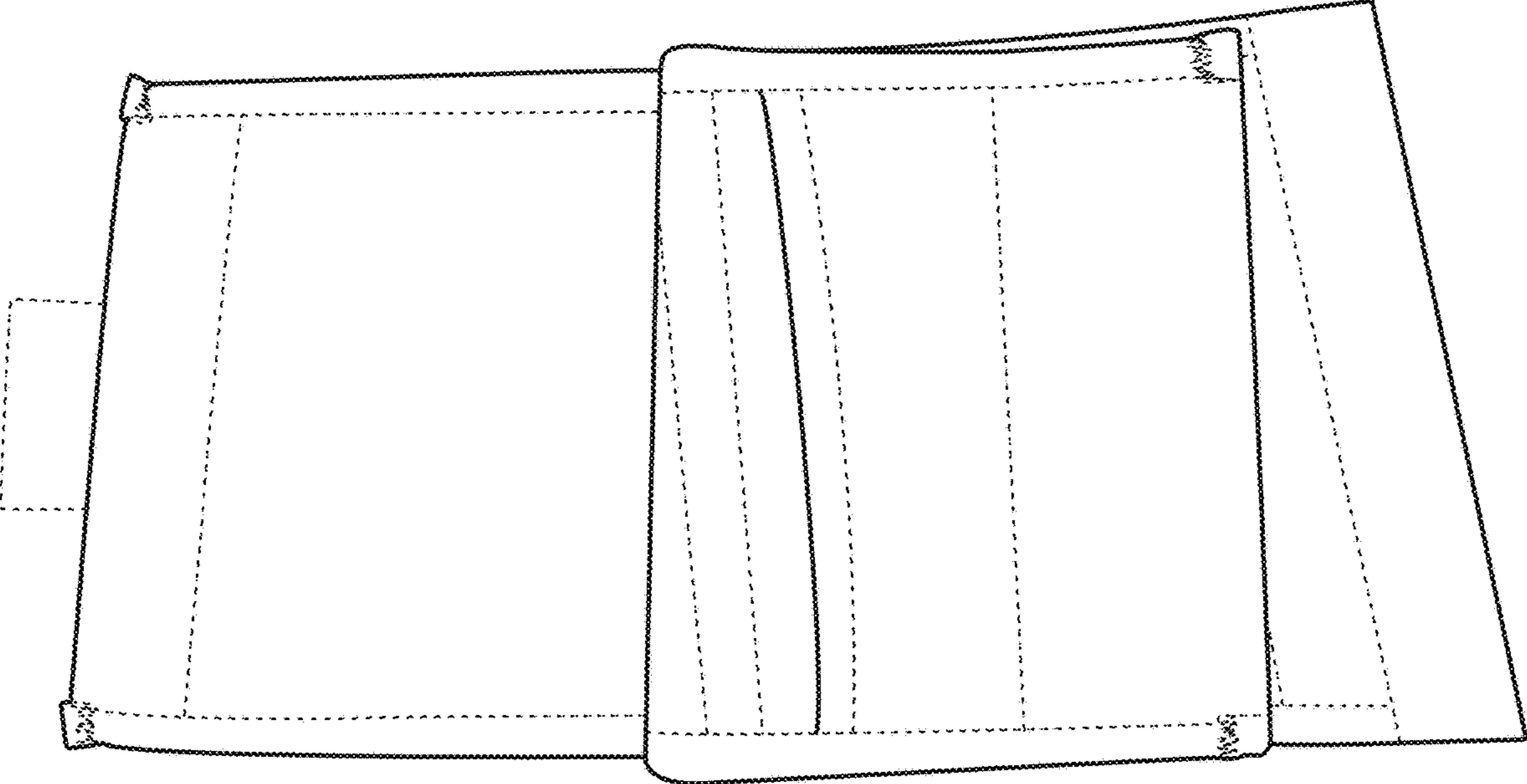


FIG. 9

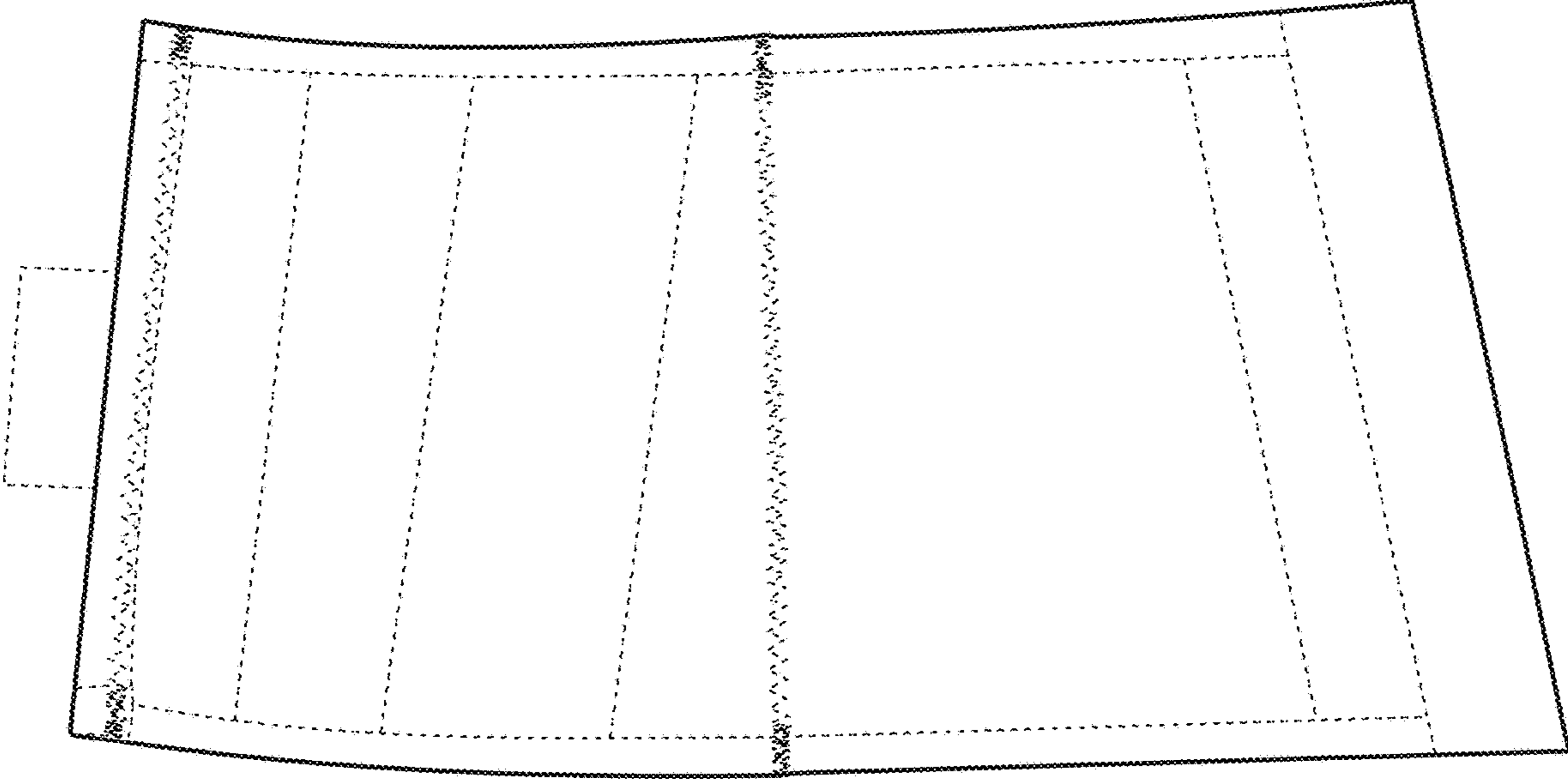


FIG. 10

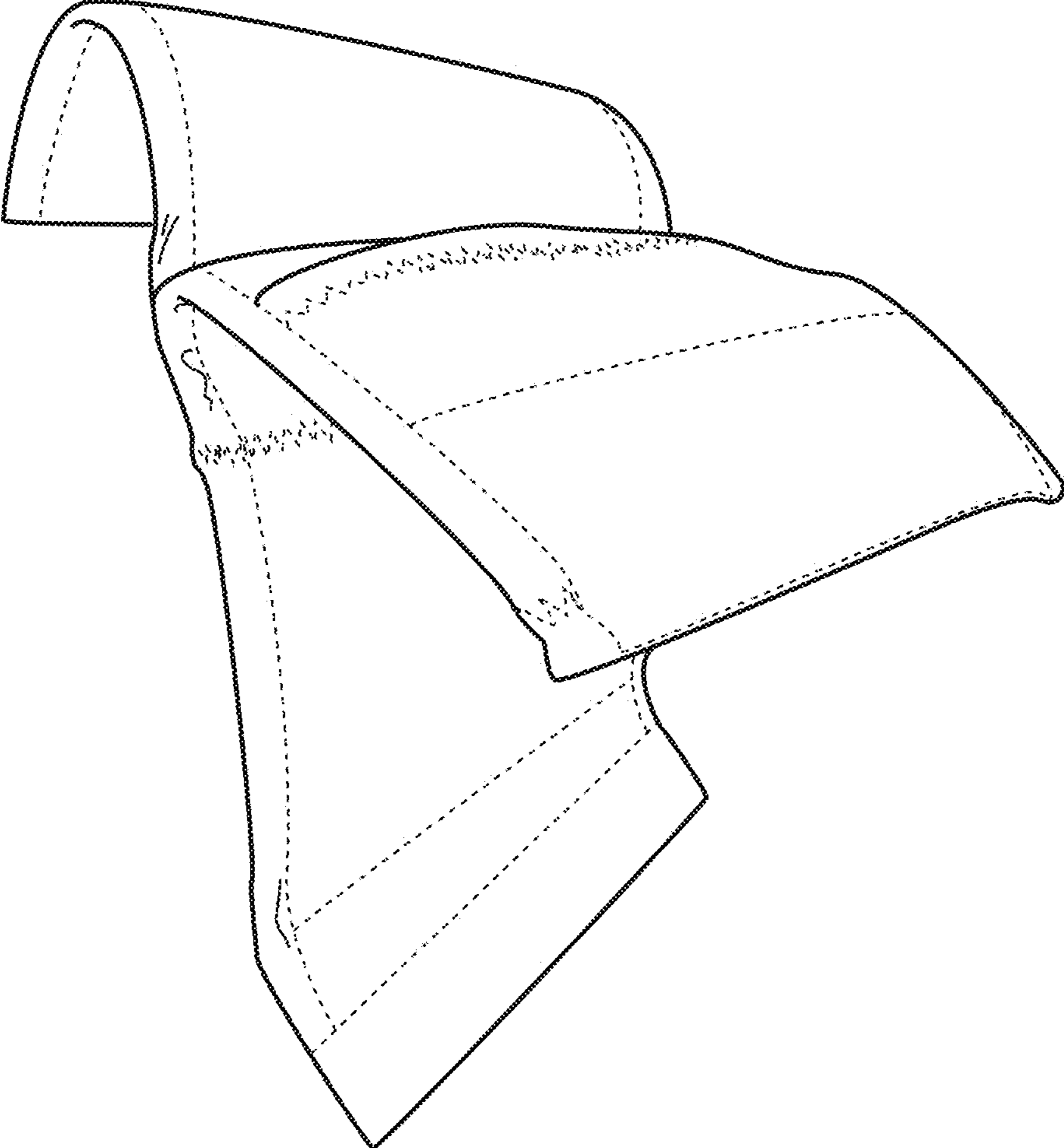


FIG. 11

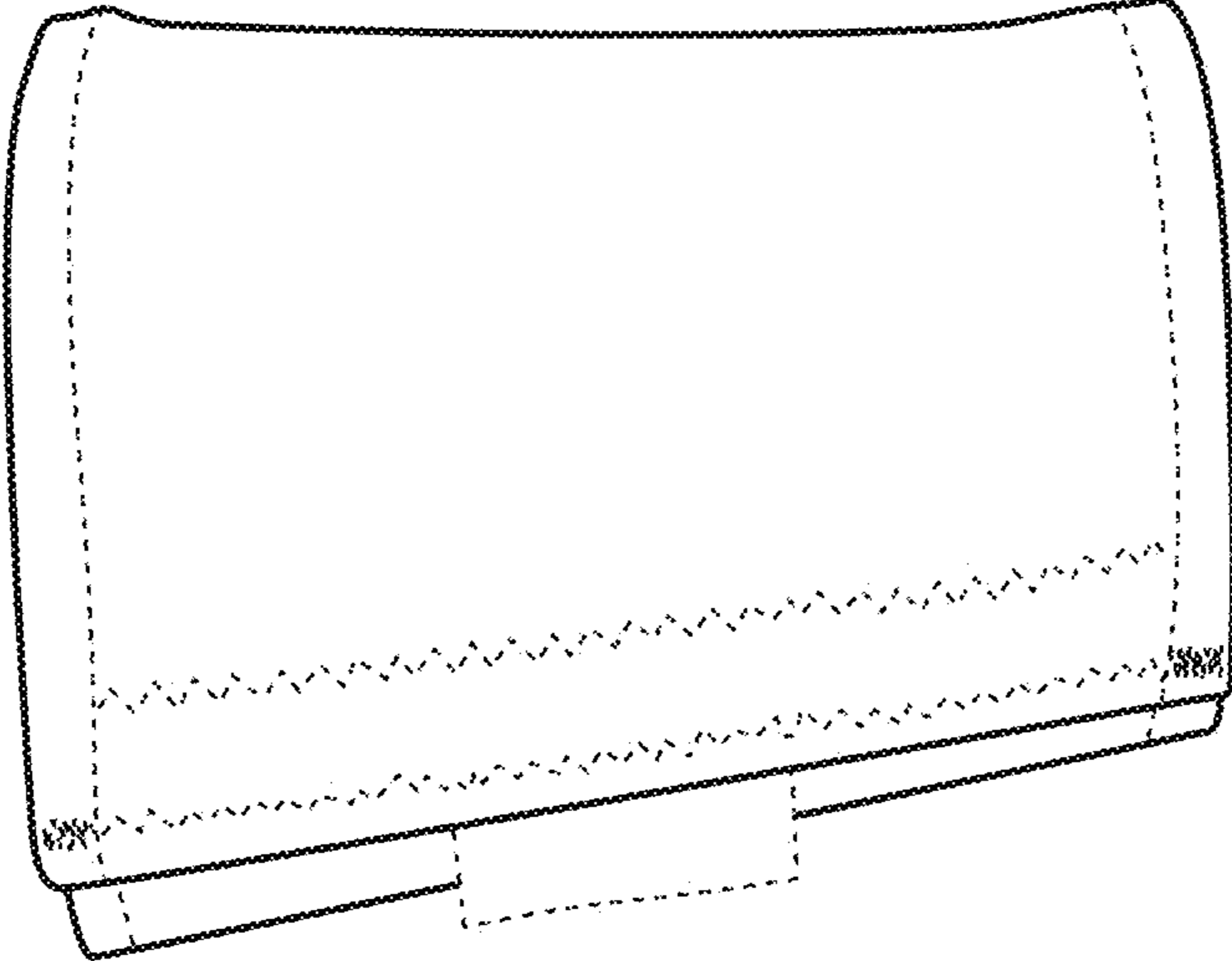


FIG. 12

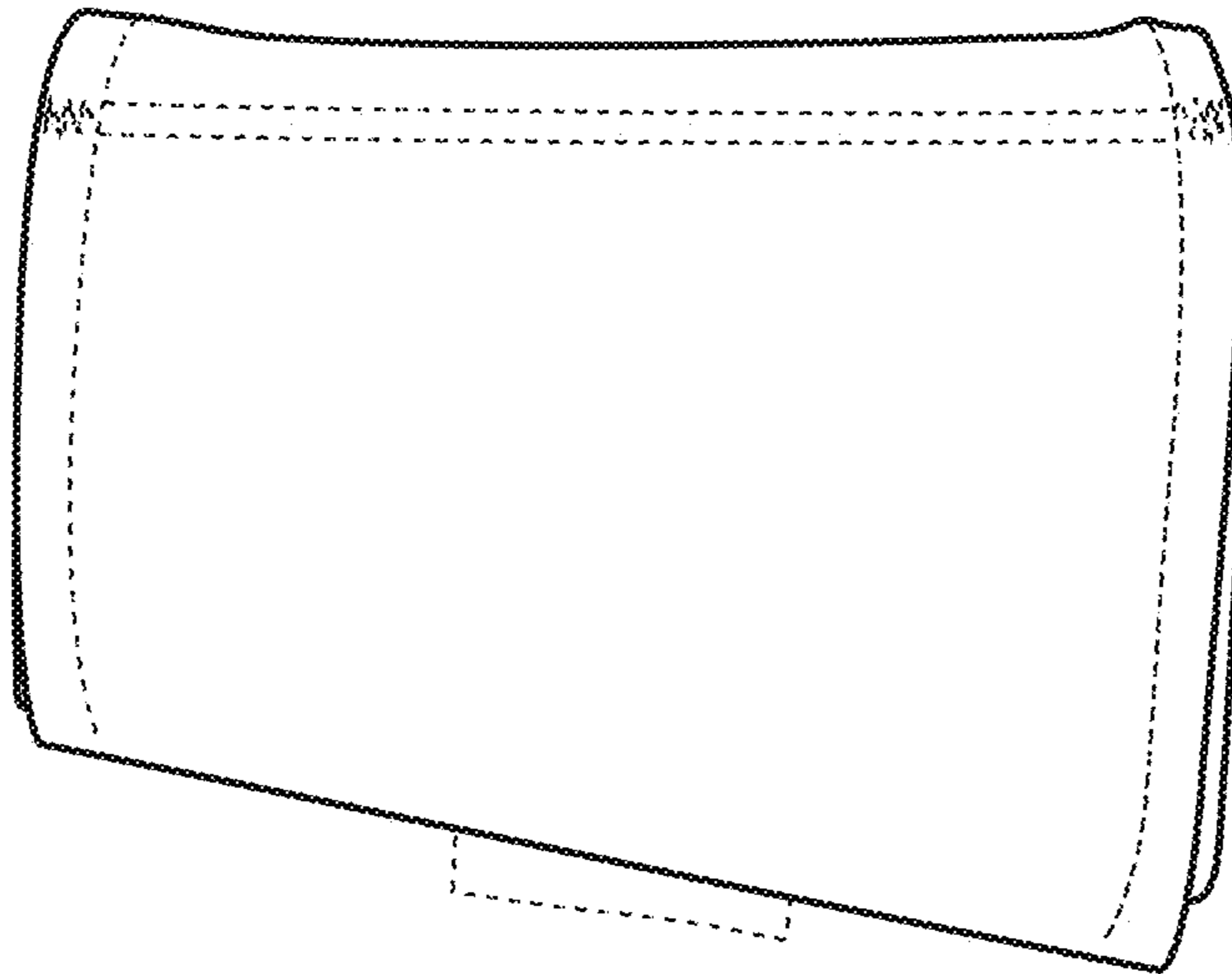


FIG. 13

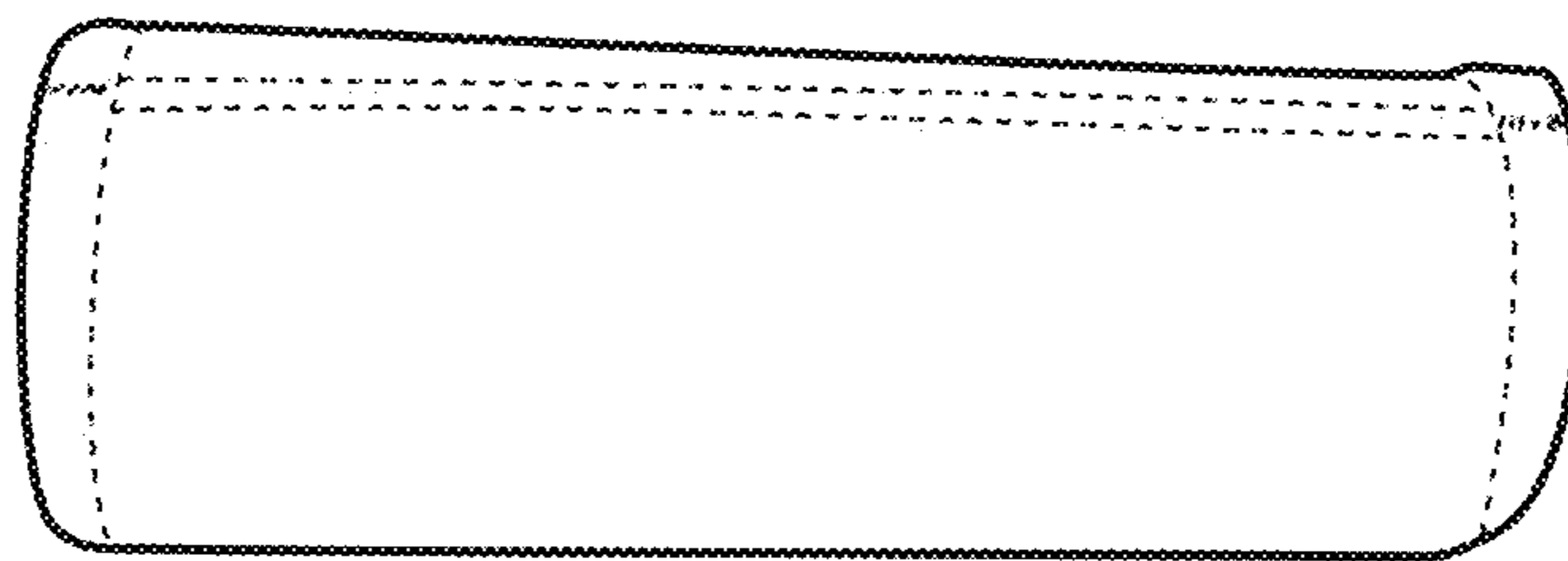


FIG. 14

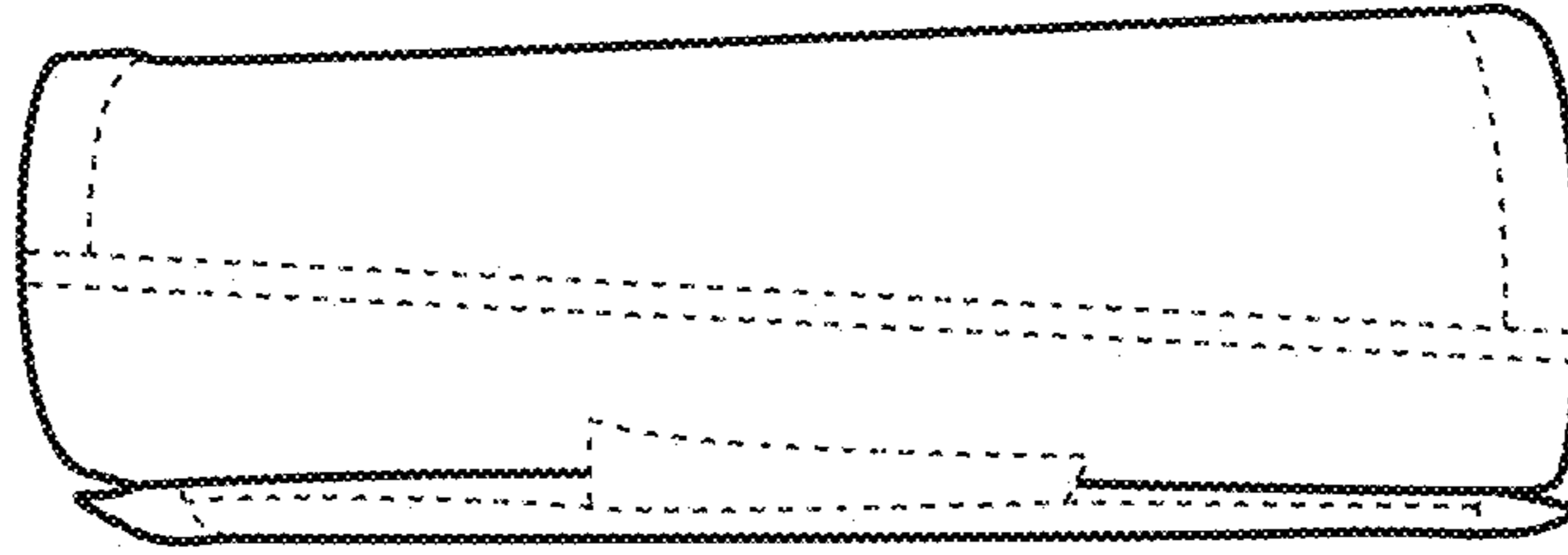


FIG. 15

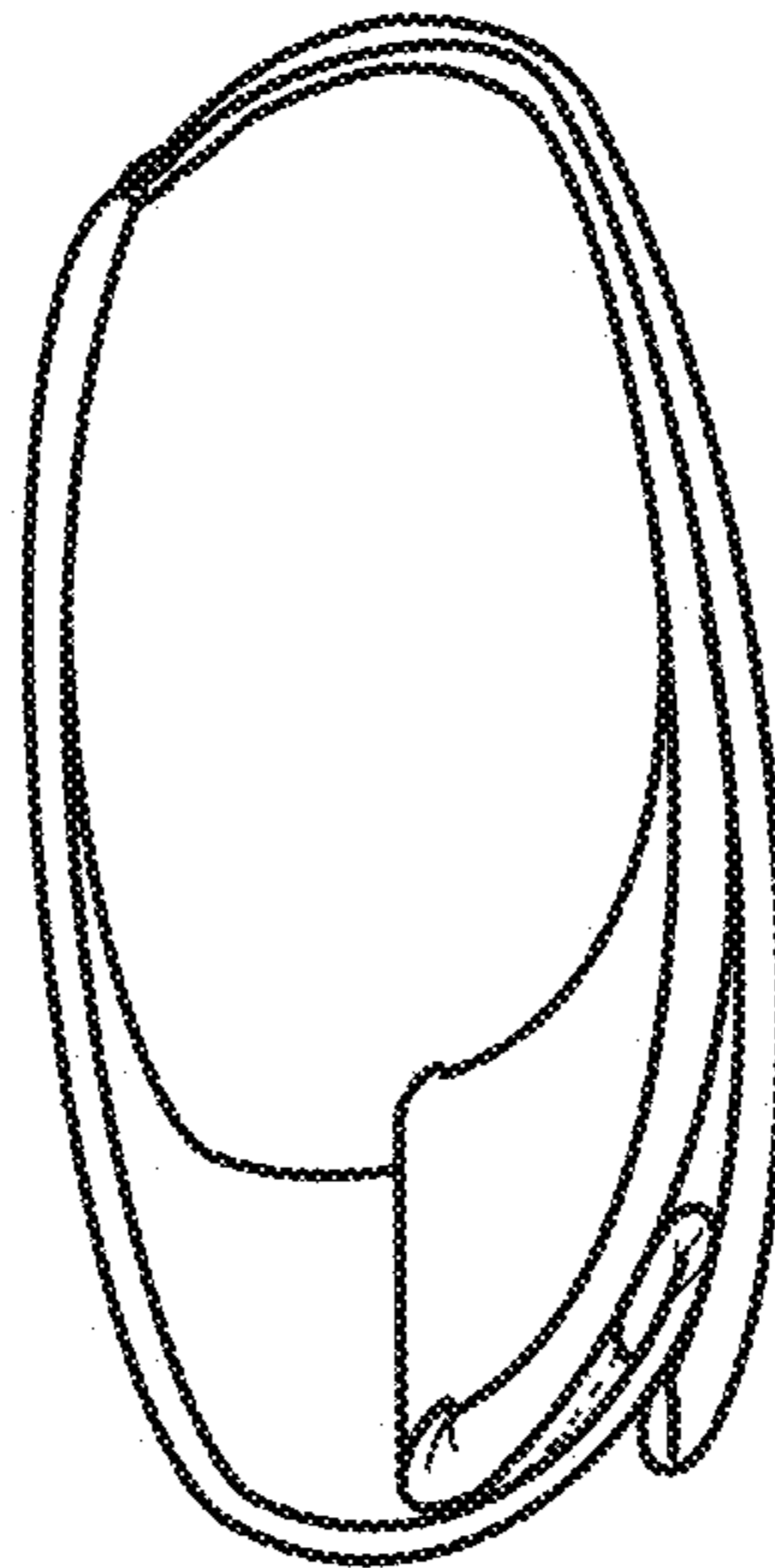


FIG. 16

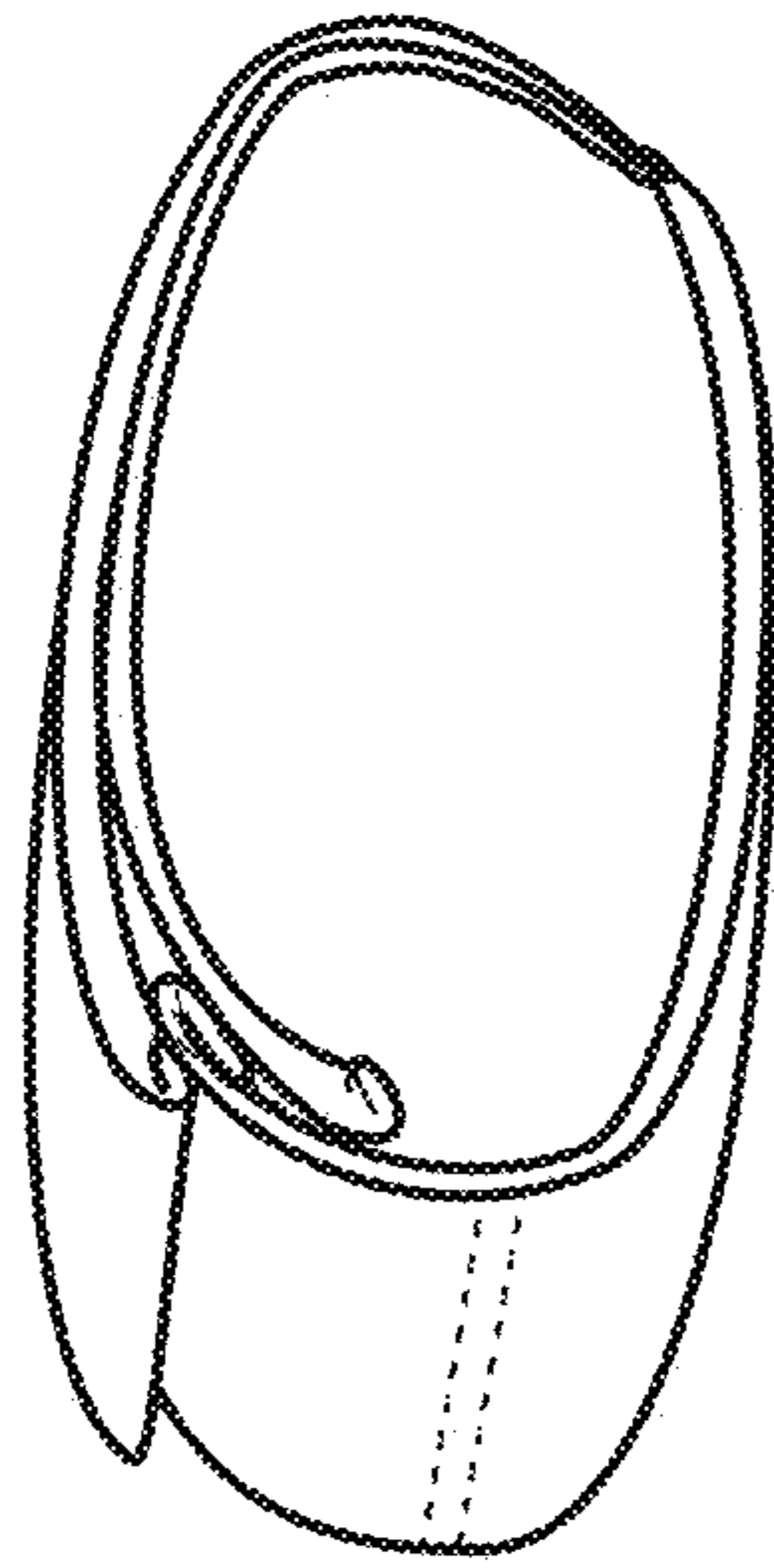


FIG. 17

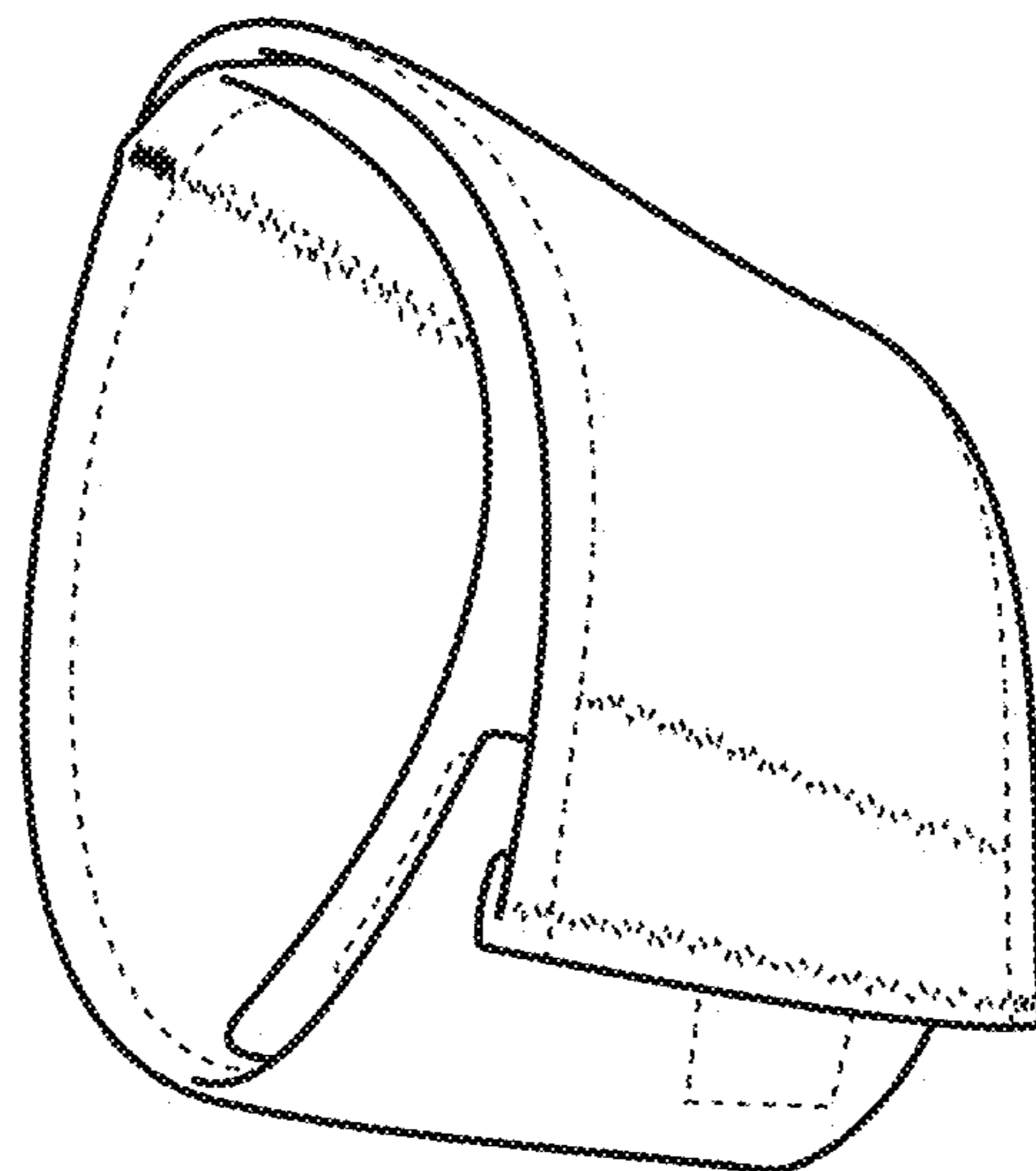


FIG. 18

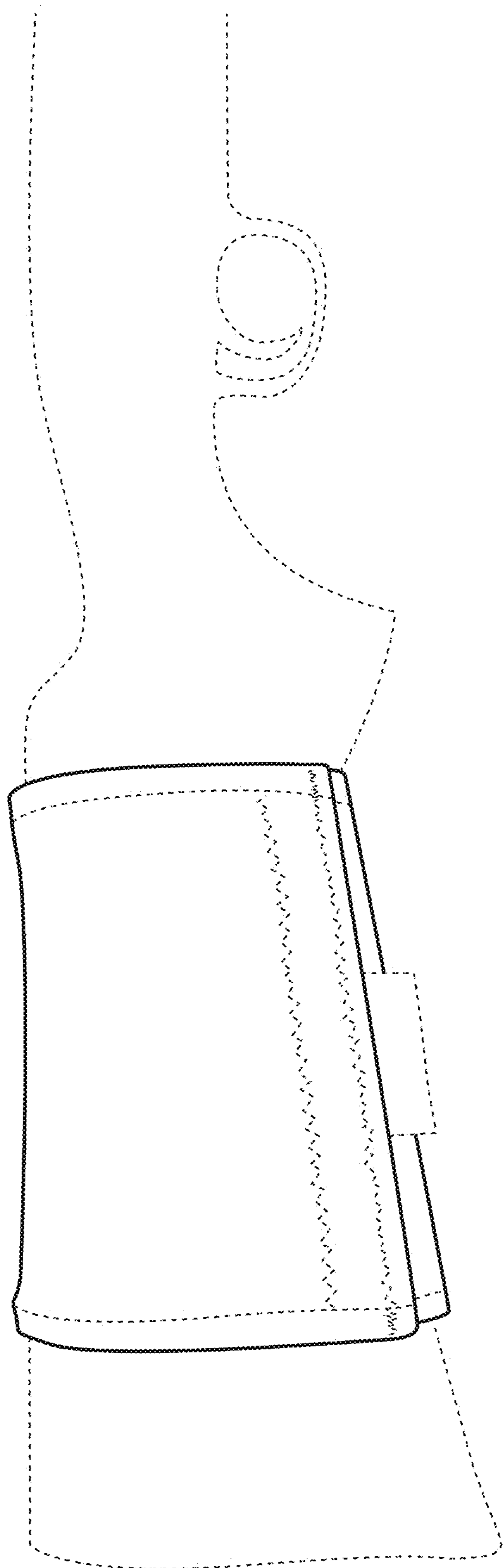


FIG. 19

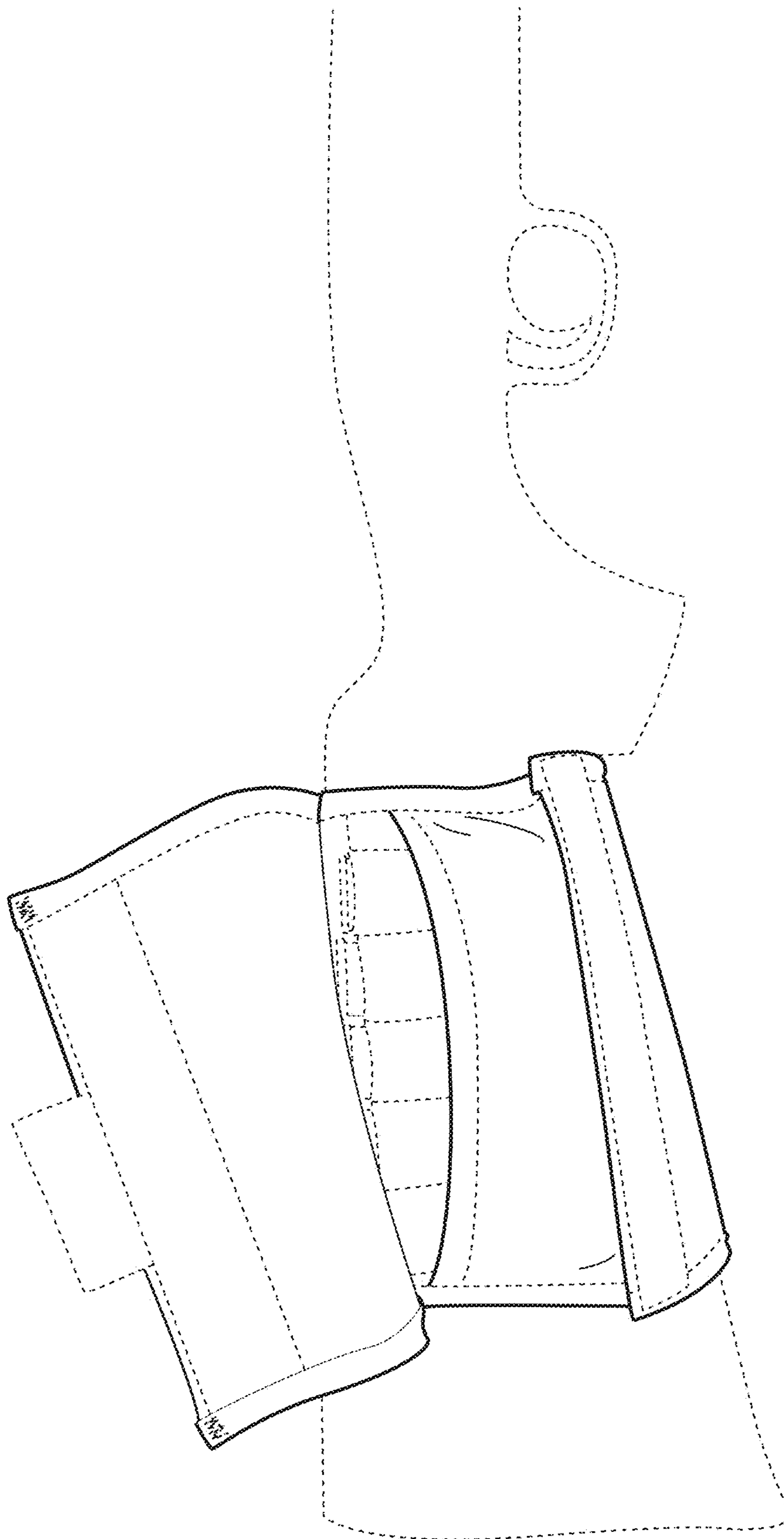


FIG. 20

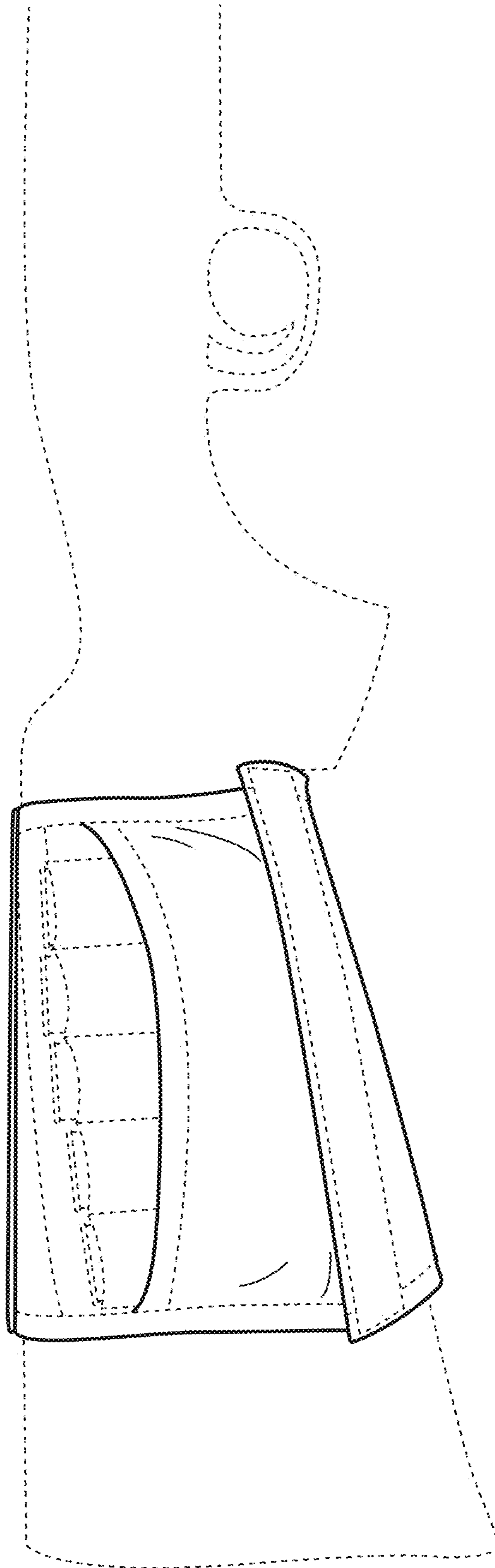


FIG. 21

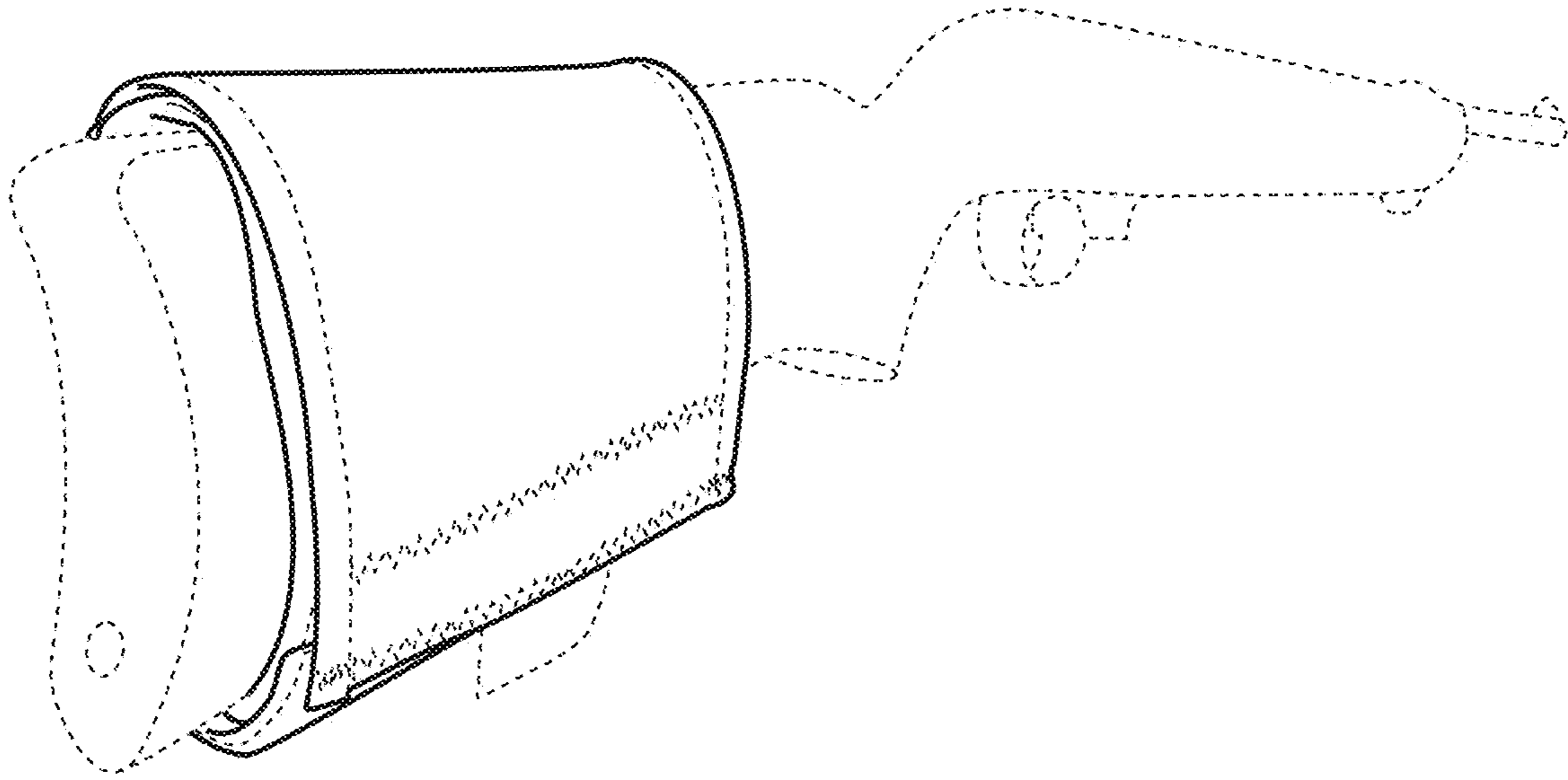


FIG. 22

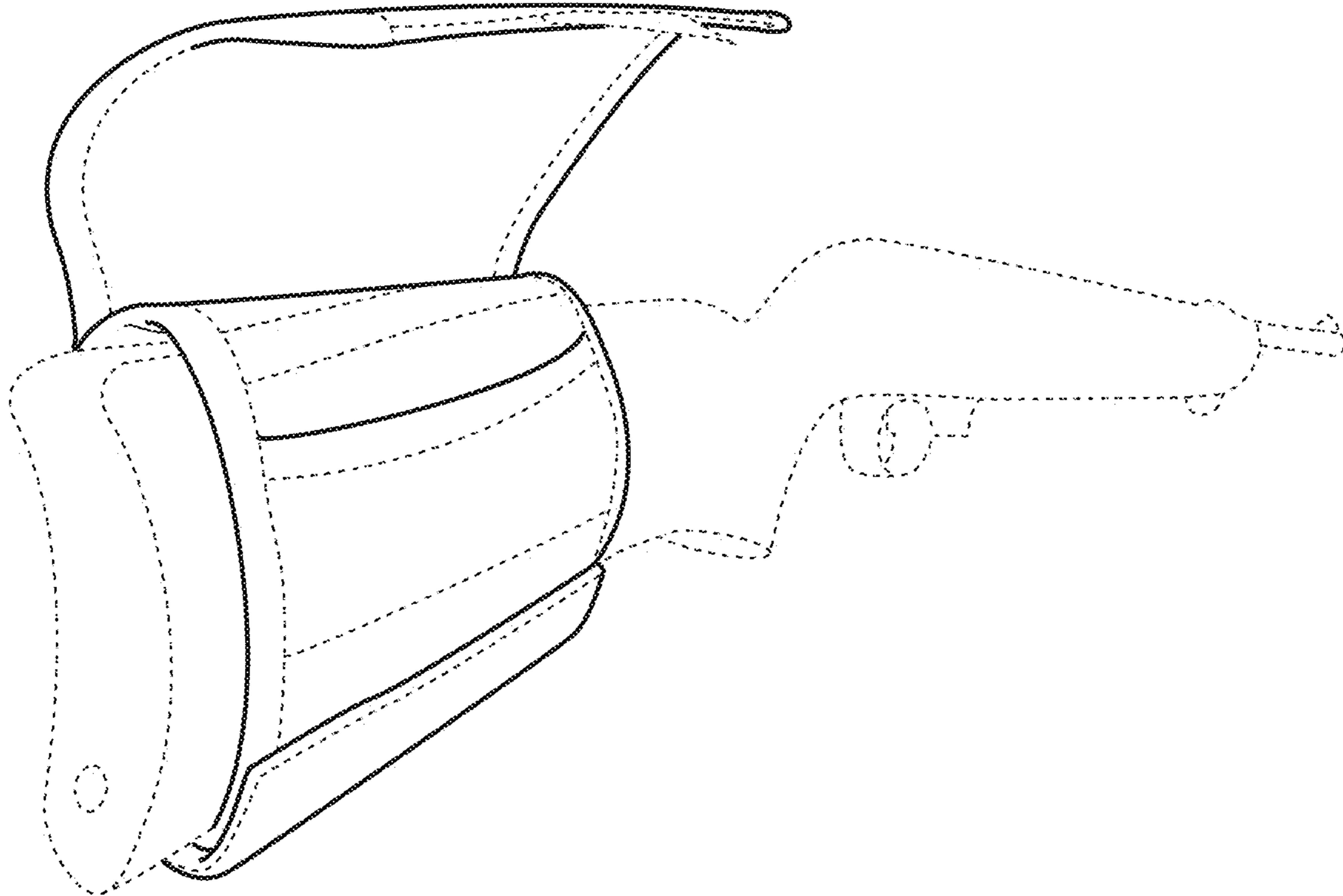


FIG. 23

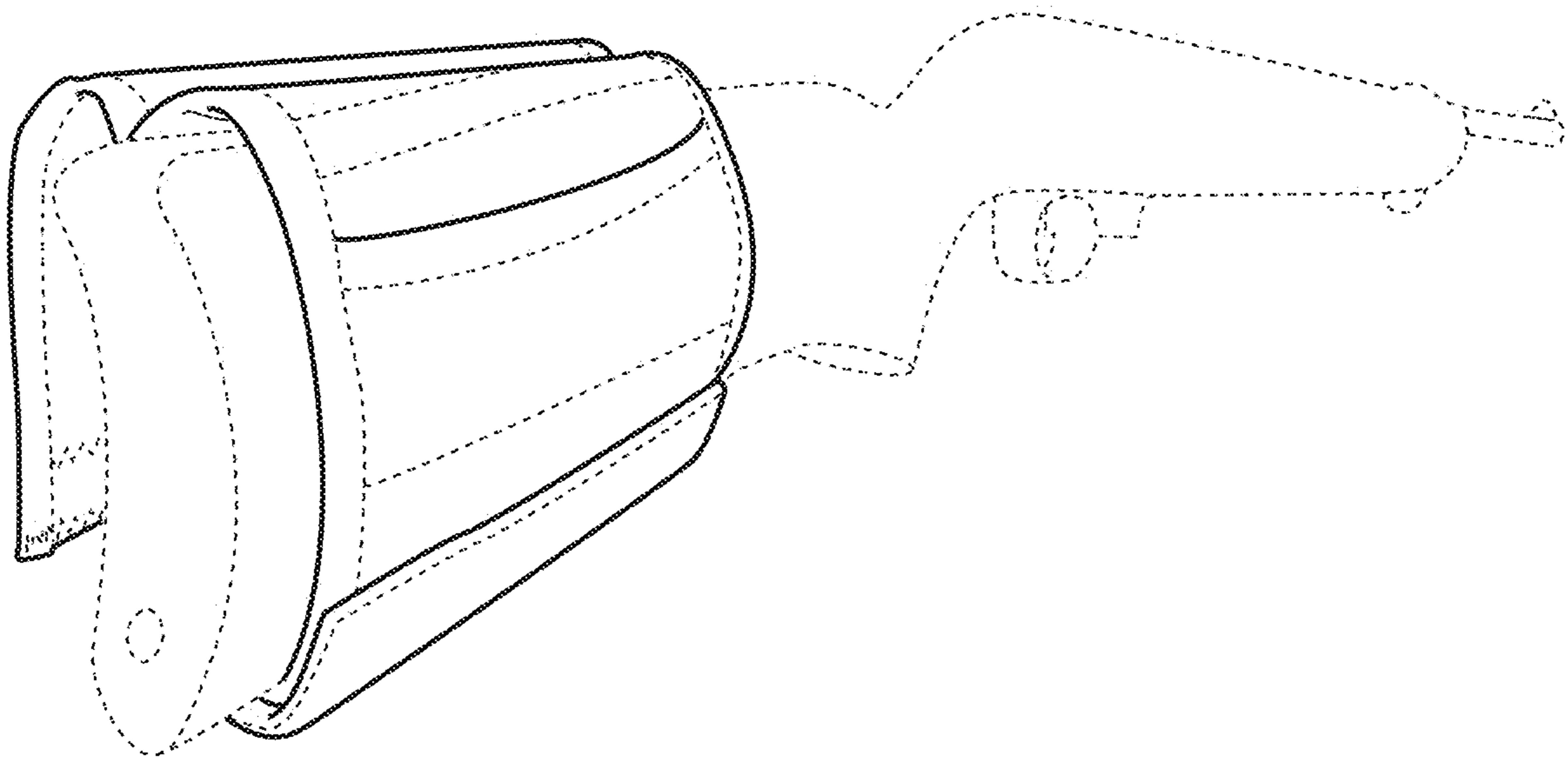


FIG. 24