



US00D957119S

(12) **United States Design Patent** (10) **Patent No.:** **US D957,119 S**
Hu (45) **Date of Patent:** **** Jul. 12, 2022**

(54) **HOLSTER**
(71) Applicant: **Haijun Hu**, Shaoyang (CN)
(72) Inventor: **Haijun Hu**, Shaoyang (CN)
(**) Term: **15 Years**

D735,471 S * 8/2015 Faifer D3/222
D776,424 S * 1/2017 Faifer D3/222
D838,102 S * 1/2019 Sereday D3/222
D838,474 S * 1/2019 Tang D3/222
D841,320 S * 2/2019 Tang D3/222
(Continued)

(21) Appl. No.: **29/738,940**
(22) Filed: **Jun. 22, 2020**
(51) **LOC (13) Cl.** **03-01**
(52) **U.S. Cl.**
USPC **D3/222**

FOREIGN PATENT DOCUMENTS

CN 305547724 * 1/2020

(58) **Field of Classification Search**
USPC D2/627, 629, 639; D3/215, 220–226,
D3/228–230, 262, 269, 303–304, 318,
D3/327–328, 218; D8/71; D22/108–109,
D22/117–118, 199; D19/75, 77, 81,
D19/84–85, 102, 107
CPC F41C 33/001; F41C 33/002; F41C 33/003;
F41C 33/01; F41C 33/0209; F41C
33/0227; F41C 33/0236; F41C 33/0254;
F41C 33/0263; F41C 33/041; F41C
33/043; F41C 33/045; F41C 33/046;
F41C 33/048; F41C 33/06; A45F 3/005;
A45F 3/02; A45F 3/06; A45F 3/14; A45F
2003/001; A45F 2003/006; A45F
2003/007; A45F 2003/045; A45F
2003/047; A45F 2003/148; A45F 5/00;
A45F 5/02; A45F 5/021; A45F 2005/025;
A45F 2200/025; A45F 2200/05; A45F
2200/0525; A45F 2200/0508; A45F
2200/0516; A45F 2200/0575; A45F
2200/0591; A45C 11/04; A41F 11/00;
A41F 11/16; Y10S 224/911
See application file for complete search history.

OTHER PUBLICATIONS

Taurus G2C Holster . . . , first available Jun. 25, 2020, amazon.com
[online], [site visited Oct. 6, 2021], Available at internet URL:
<https://www.amazon.com/Holster-Holsters-Waistband-Concealed-Man-Adj-Cant/dp/B08BWL2FHX> (Year: 2020).*
(Continued)

Primary Examiner — Jeffrey D Asch
Assistant Examiner — Caitlin A Laverty

(57) **CLAIM**

The ornamental design for a holster, as shown and described.

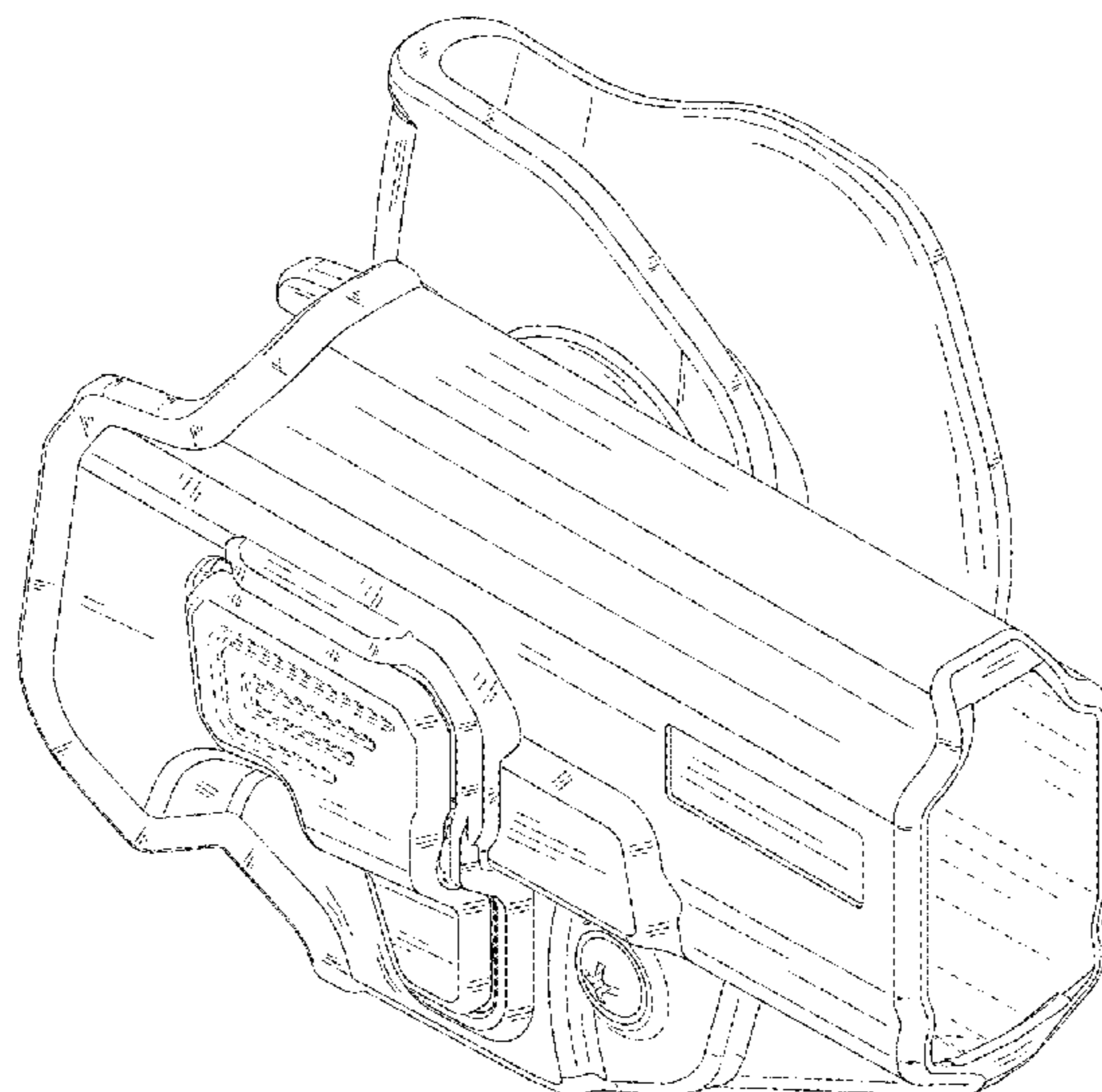
DESCRIPTION

FIG. 1 is a perspective view of a holster showing my new design;
FIG. 2 is another perspective view thereof;
FIG. 3 is a front elevational view thereof;
FIG. 4 is a rear elevational view thereof;
FIG. 5 is a left side elevational view thereof;
FIG. 6 is a right side elevational view thereof;
FIG. 7 is a top plan view thereof; and,
FIG. 8 is a bottom plan view thereof.
The broken lines immediately adjacent to the surfaces included in the claim are boundaries of the claim, and form no part of the claimed design. All other broken lines show portions of the article that form no part of the claimed design.

(56) **References Cited**
U.S. PATENT DOCUMENTS

D594,649 S * 6/2009 Zusman D3/222
D603,159 S * 11/2009 Zusman D3/222

1 Claim, 8 Drawing Sheets



(56)

References Cited

U.S. PATENT DOCUMENTS

D853,110	S *	7/2019	Sereday	D3/222
D874,131	S *	2/2020	Zhang	D3/222
D925,216	S *	7/2021	Wu	D3/222
D928,503	S *	8/2021	Cai	D3/222
D930,979	S *	9/2021	Tang	D3/222
D933,952	S *	10/2021	Sun	D3/222
D945,149	S *	3/2022	Zhang	D3/222
2018/0142988	A1 *	5/2018	Tedder	F41C 33/0236
2019/0316876	A1 *	10/2019	Zhang	F41C 33/045
2020/0232755	A1 *	7/2020	Houck	F41C 33/041
2020/0393214	A1 *	12/2020	De Oliveira Ribas	F41C 33/0209
2021/0348880	A1 *	11/2021	Zhang	F41C 33/0272
2021/0389082	A1 *	12/2021	Smith	F41C 33/0236
2022/0011073	A1 *	1/2022	Clawson	F41C 33/041
2022/0057169	A1 *	2/2022	Corsetti	F41C 33/0209
2022/0107159	A1 *	4/2022	Yeates	F41C 33/041

OTHER PUBLICATIONS

G2c Taurus Holsters . . . , first available Mar. 19, 2019, amazon.com [online], [site visited Oct. 6, 2021], Available at internet URL: <https://www.amazon.com/dp/B07PDC7C3F/> (Year: 2019).*

Umarex Paddle Holster for Walther PPQ, unknown first available date, asmc.com [online], [site visited Oct. 6, 2021], Available at internet URL: <https://www.asmc.com/umarex-paddle-holster-for-walther-ppq> (Year: 2021).*

* cited by examiner

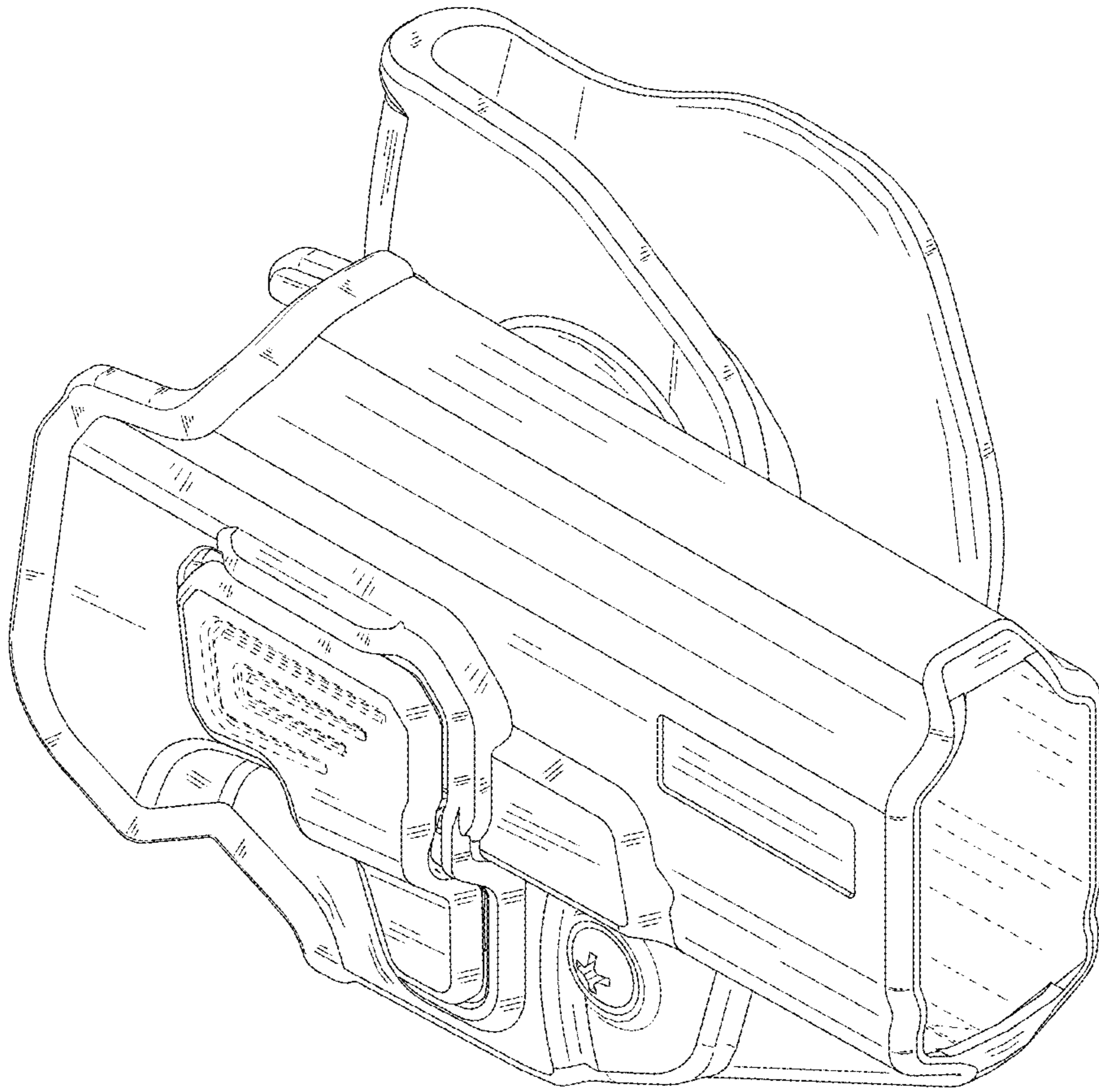


FIG. 1

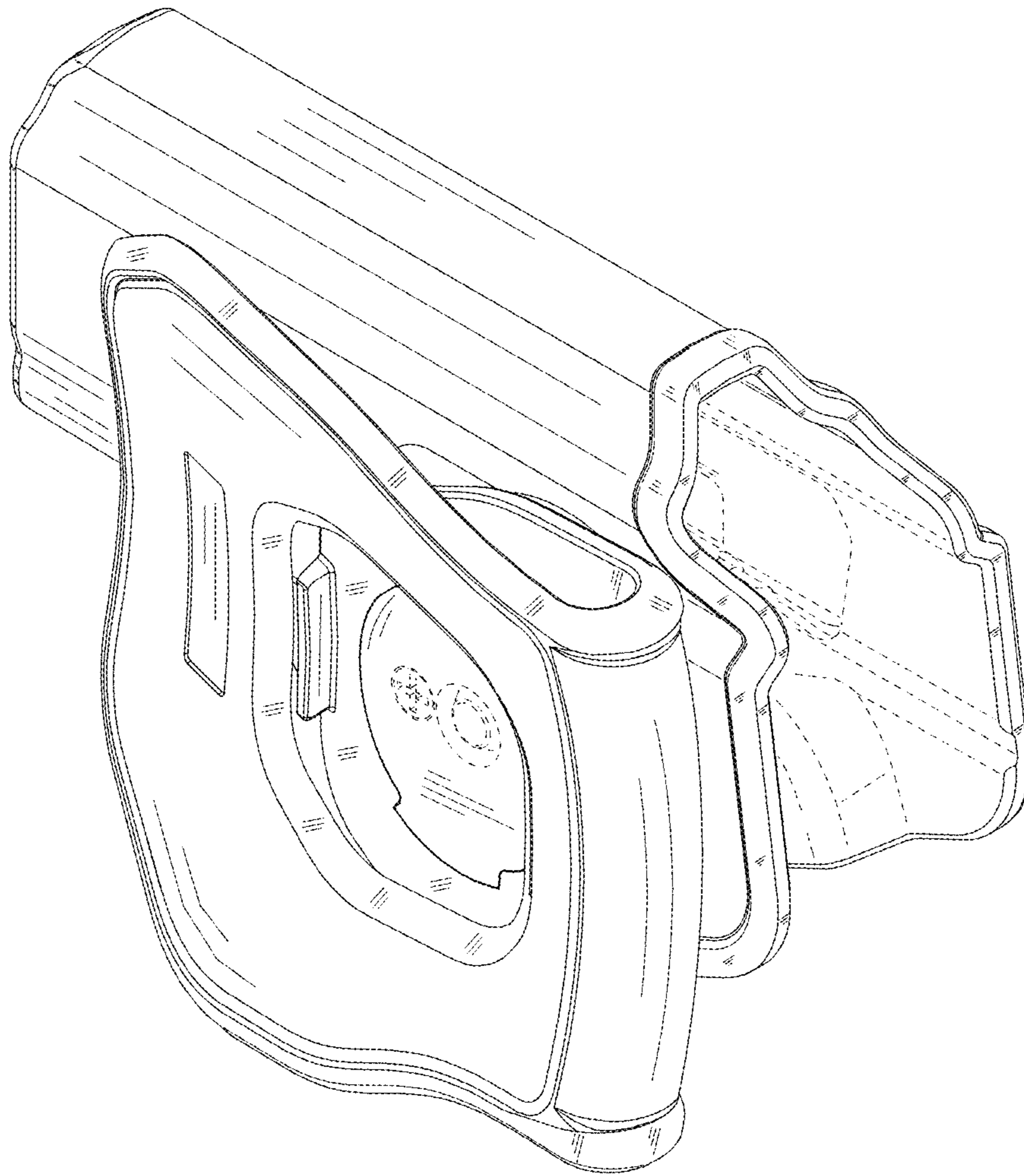


FIG. 2

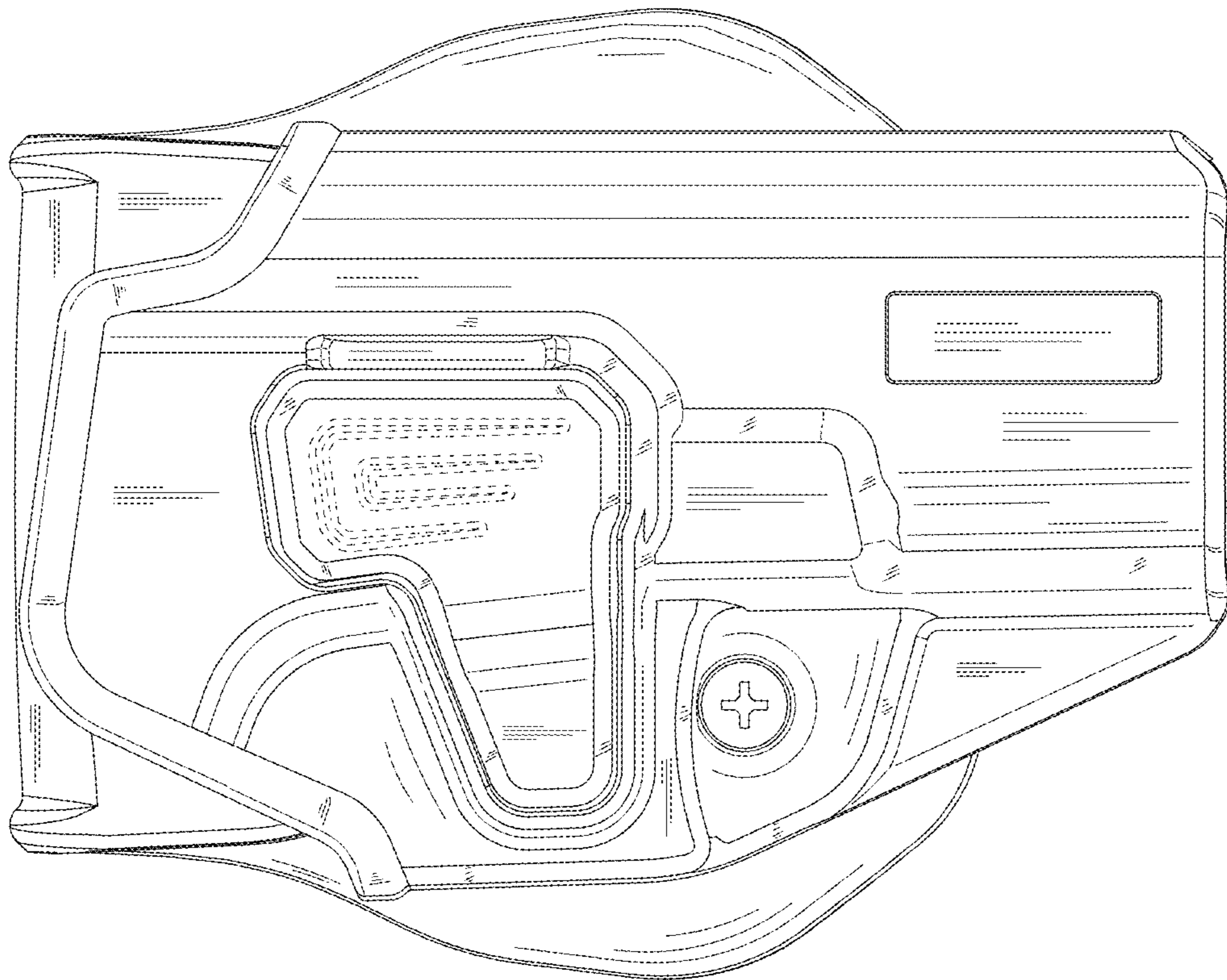


FIG. 3

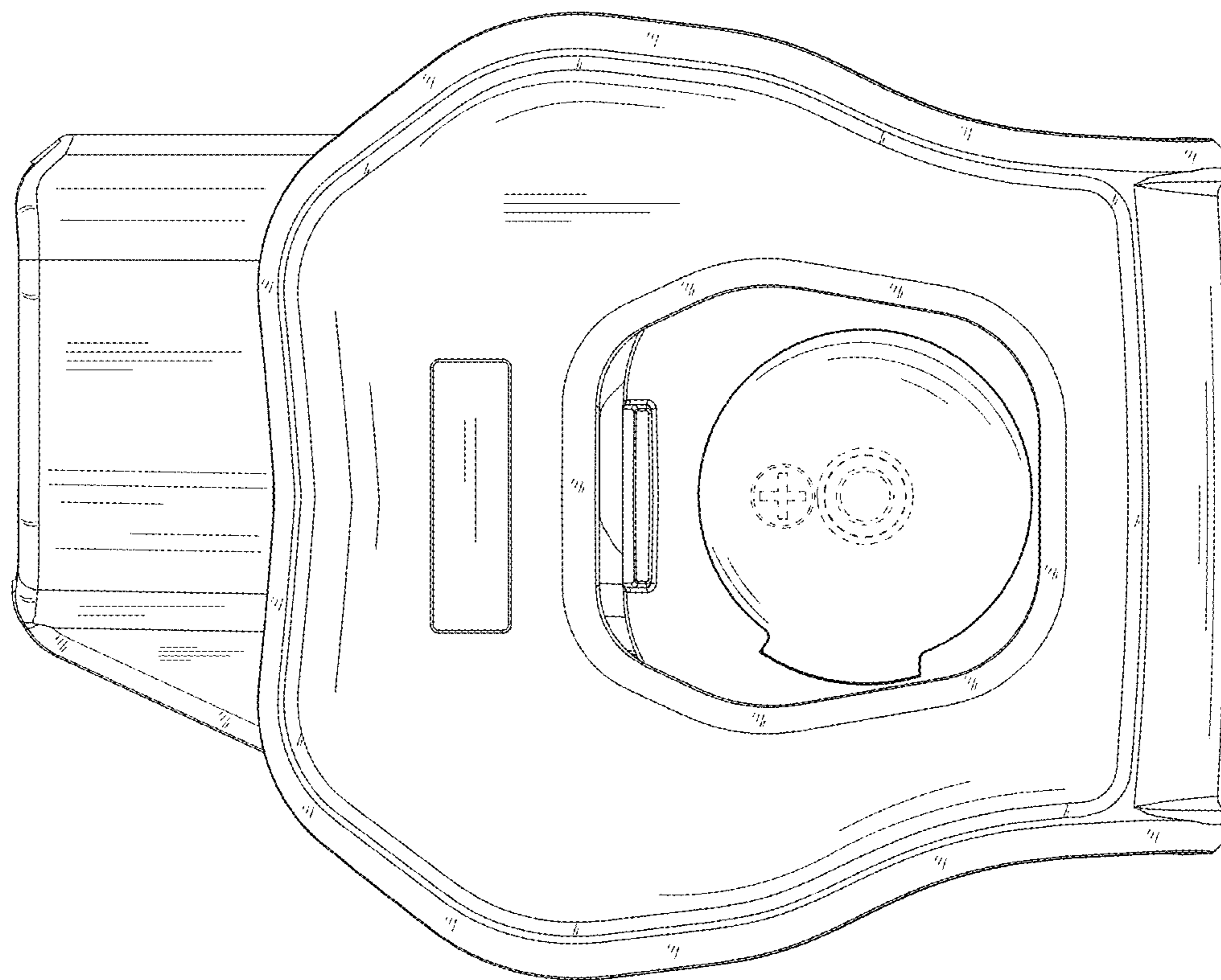


FIG. 4

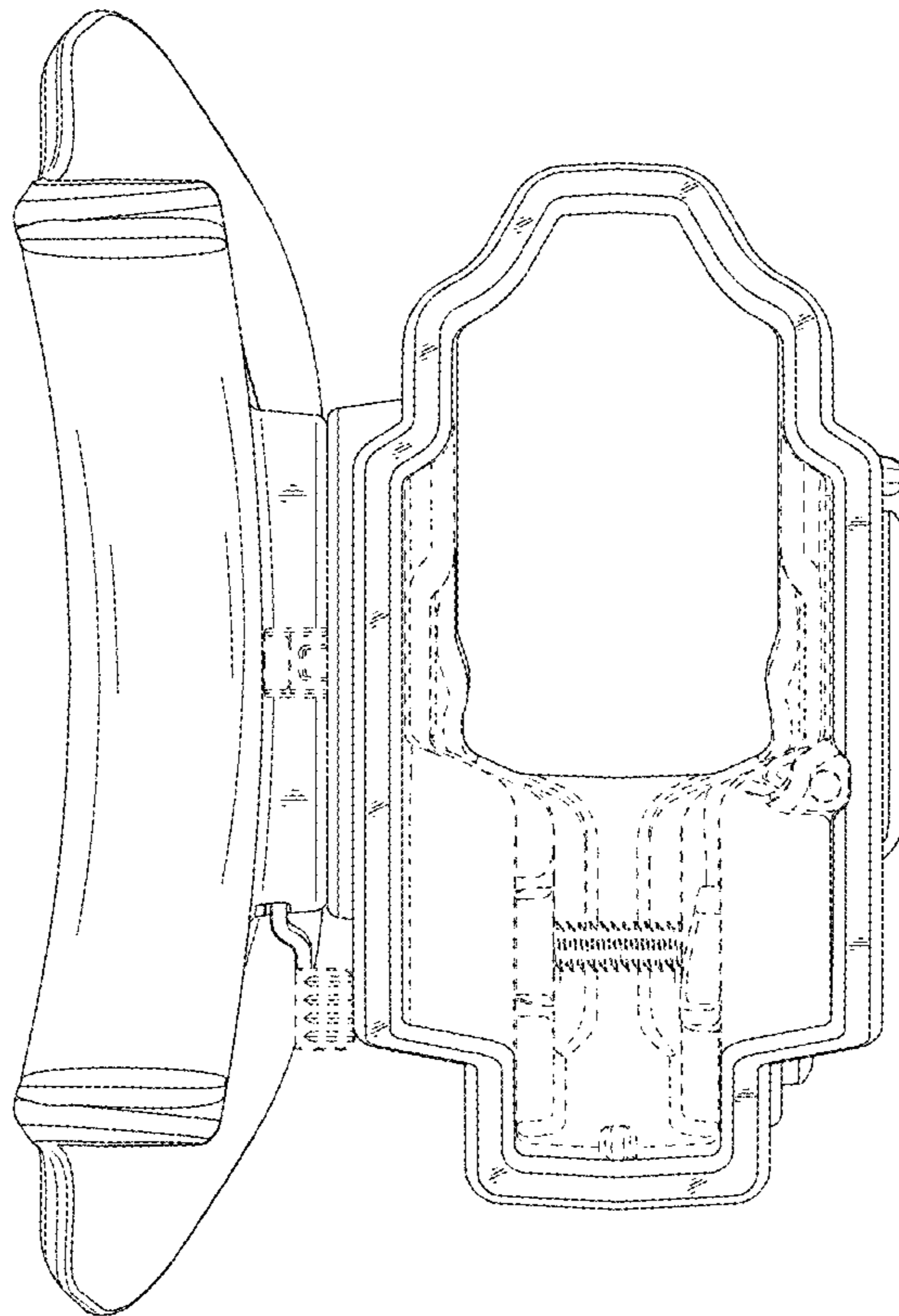


FIG. 5

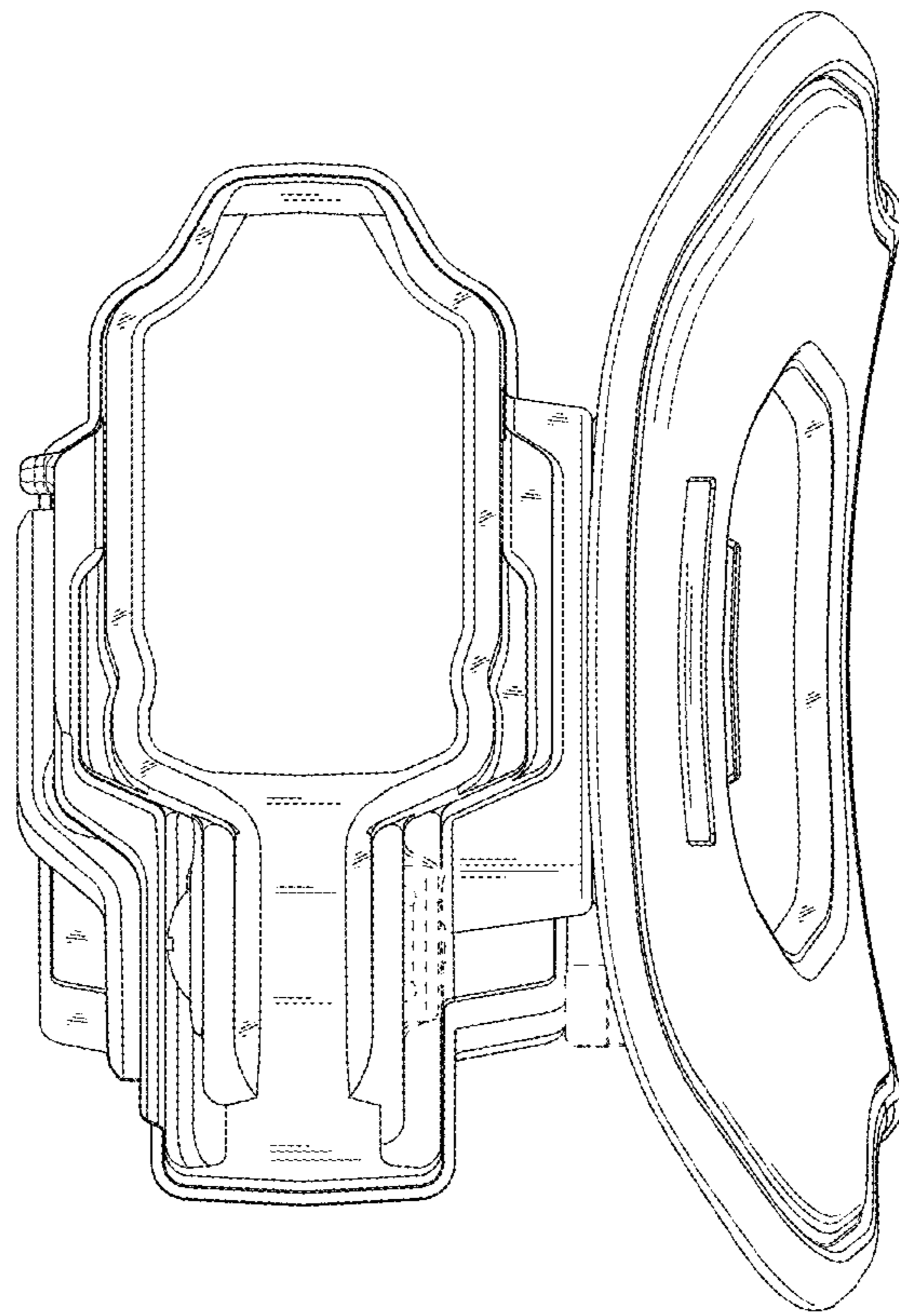


FIG. 6

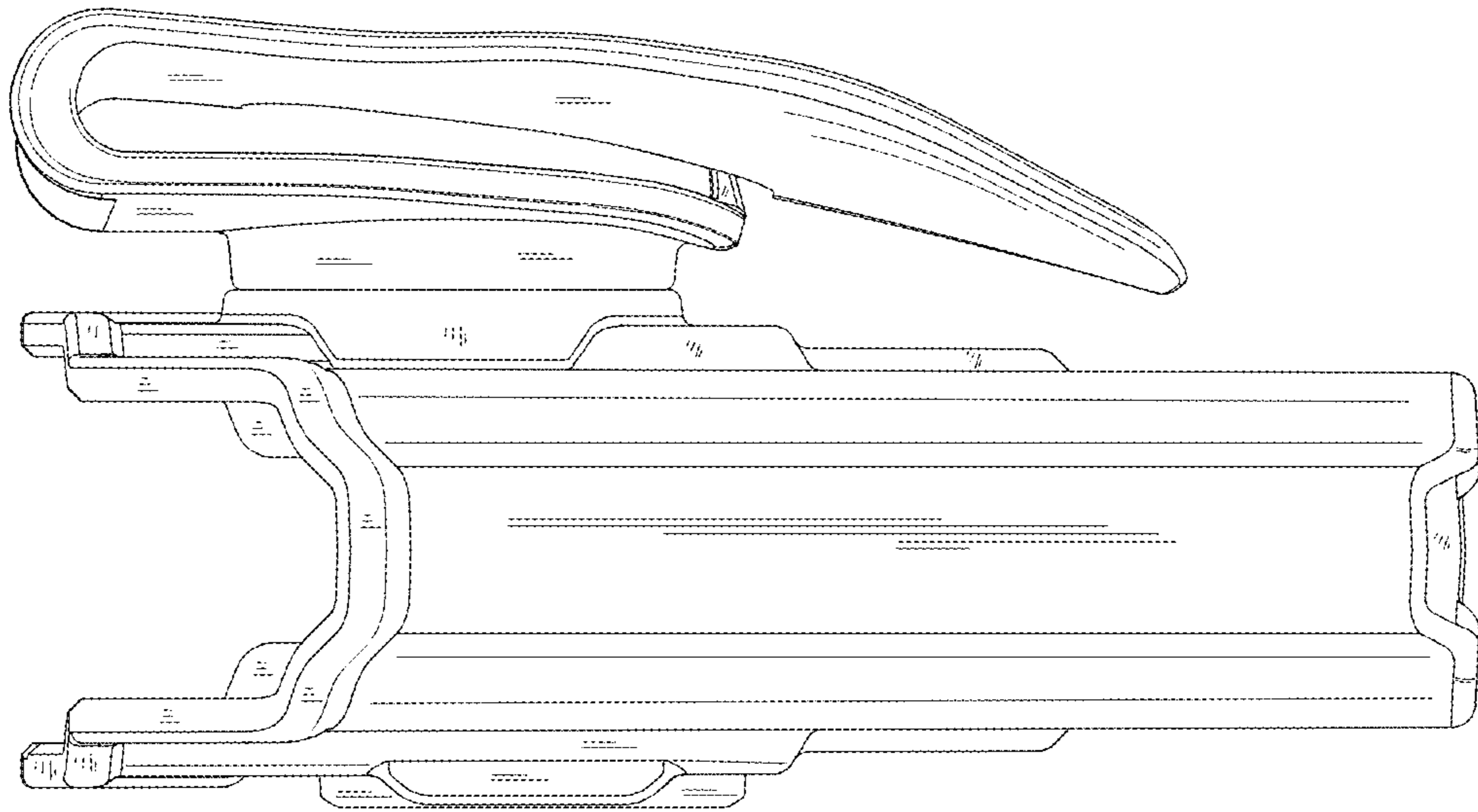


FIG. 7

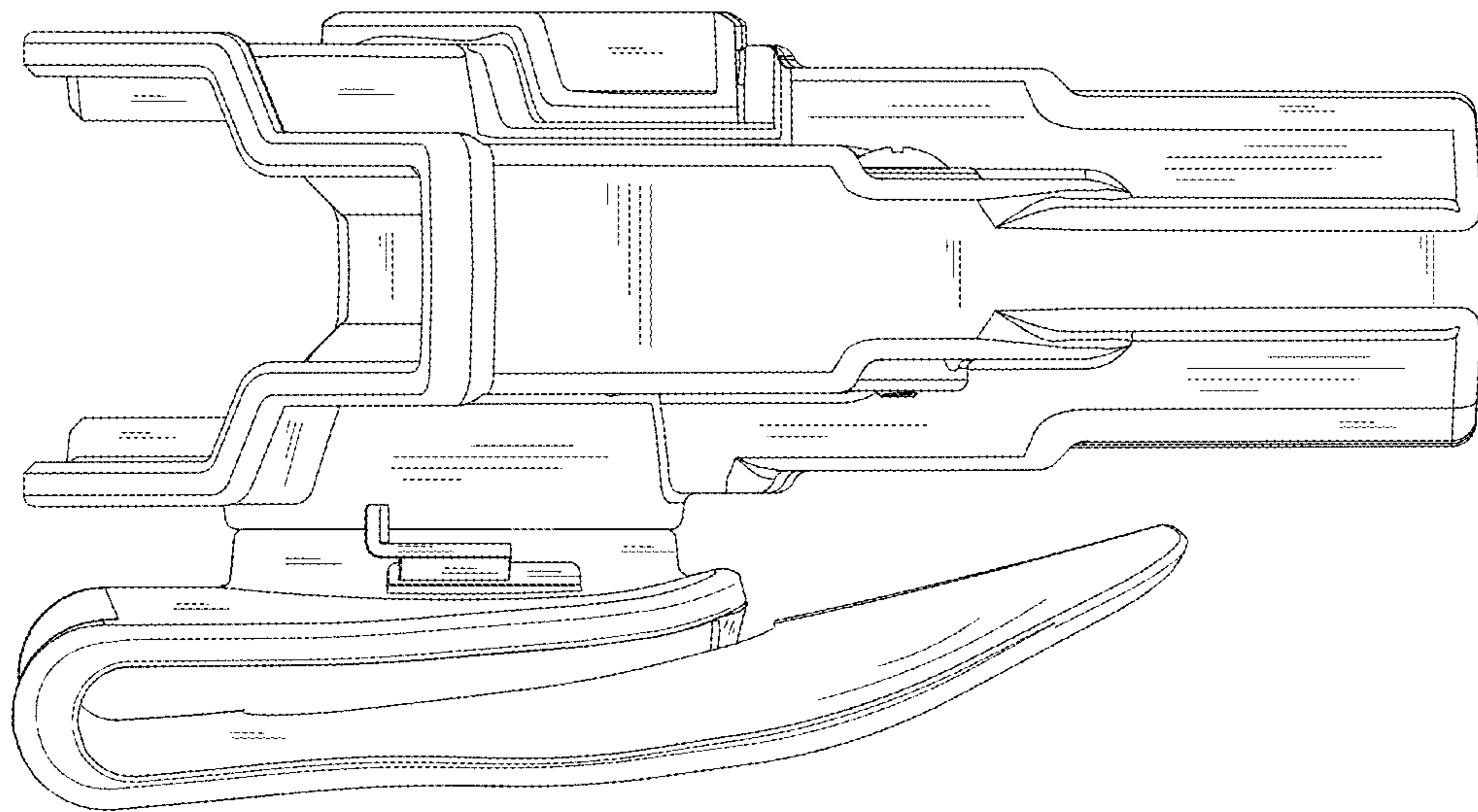


FIG. 8