



US00D957118S

(12) **United States Design Patent**
Munie et al.

(10) **Patent No.:** **US D957,118 S**
(45) **Date of Patent:** **** Jul. 12, 2022**

- (54) **BACKPACK**
- (71) Applicant: **YETI Coolers, LLC**, Austin, TX (US)
- (72) Inventors: **Jeffrey Charles Munie**, Austin, TX (US); **John Loudenslager**, Austin, TX (US); **Kyle Edward Rogers**, Austin, TX (US); **John W. Dow**, Austin, TX (US)

5,140,833 A 8/1992 Whalen
 5,377,887 A 1/1995 Garcia
 5,415,332 A 5/1995 Kliot
 5,671,698 A 9/1997 Farrugia
 5,927,581 A 7/1999 Reddy et al.
 (Continued)

FOREIGN PATENT DOCUMENTS

CA 2300014 A1 8/2001
 CA 2327764 A1 6/2002
 (Continued)

- (73) Assignee: **YETI Coolers, LLC**, Austin, TX (US)
- (**) Term: **15 Years**

OTHER PUBLICATIONS

- (21) Appl. No.: **29/714,398**
- (22) Filed: **Nov. 22, 2019**
- (51) **LOC (13) Cl.** **03-01**
- (52) **U.S. Cl.**
USPC **D3/217**
- (58) **Field of Classification Search**
USPC D3/215-218, 221, 224-226, 230-233,
D3/242-246, 303, 318
CPC A45F 3/04; A45F 3/047; A45F 2003/045;
A45F 4/02
See application file for complete search history.

Amazon, "Seattle Sports FrostPak Soft Cooler", First reviewed Jun. 17, 2014, Accessed Jan. 31, 2016. (<https://www.amazon.com/Seattle-Sports-FrostPak-Soft-Cooler/dp/BOOLGZ28FI>).
 (Continued)

Primary Examiner — Mary Shannon Malley
 (74) *Attorney, Agent, or Firm* — Banner & Witcoff, Ltd.

(57) **CLAIM**

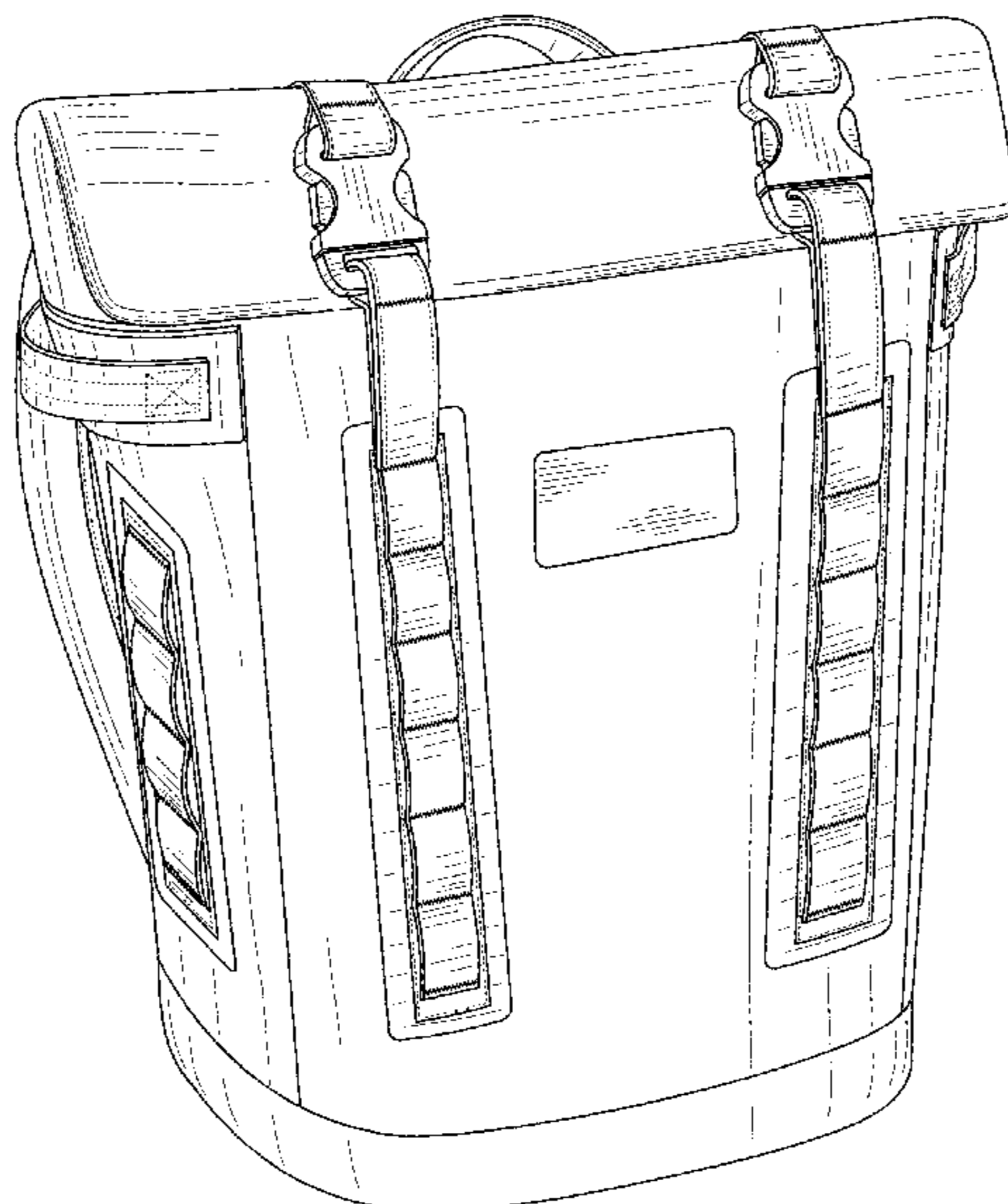
The ornamental design for a backpack, as shown and described.

DESCRIPTION

FIG. 1 is a top, front, left perspective view of a backpack showing my new design;
 FIG. 2 is a front view thereof;
 FIG. 3 is a rear view thereof;
 FIG. 4 is a right side view thereof;
 FIG. 5 is a left side view thereof;
 FIG. 6 is a top view thereof; and,
 FIG. 7 is a bottom view thereof.
 The broken lines within the shaded areas depict stitching that forms no part of the claimed design. The broken lines within the unshaded area of FIG. 7 show features that form no part of the claimed design.

- (56) **References Cited**
U.S. PATENT DOCUMENTS
- | | | |
|-------------|---------|------------------|
| 2,228,066 A | 1/1941 | Tashbook |
| 3,019,952 A | 2/1962 | Brewster |
| 3,254,816 A | 6/1966 | Gray |
| 3,802,613 A | 4/1974 | Draeger |
| 4,273,274 A | 6/1981 | Freistadt |
| D269,738 S | 7/1983 | Stark |
| D281,649 S | 12/1985 | Bomes et al. |
| 4,805,748 A | 2/1989 | Gerch |
| D304,264 S | 10/1989 | Peregrine et al. |
| D307,668 S | 5/1990 | Young |
| 5,005,679 A | 4/1991 | Hjelle |
| 5,007,250 A | 4/1991 | Musielak |
| D328,389 S | 8/1992 | Pardo |

1 Claim, 7 Drawing Sheets



(56)

References Cited

U.S. PATENT DOCUMENTS

6,092,661 A 7/2000 Mogil
D434,900 S 12/2000 Spence, Jr. et al.
6,286,461 B1 9/2001 Martz
6,338,180 B1 1/2002 Massard
6,409,066 B1 6/2002 Schneider et al.
6,460,746 B1 10/2002 Amram
D465,924 S 11/2002 Gisser
D481,540 S 11/2003 Van Himbeeck
D495,489 S 9/2004 Messina-Brown
6,793,112 B2 9/2004 Ammerman
D509,959 S 9/2005 Nykoluk
D516,307 S 3/2006 Koenig et al.
D528,792 S 9/2006 Marttila
D535,820 S 1/2007 Kamiya
7,160,028 B1 1/2007 Linday
7,207,426 B2 4/2007 Godshaw et al.
D548,966 S 8/2007 Aliberti et al.
7,334,684 B1 2/2008 Fontanilla et al.
7,344,028 B2 3/2008 Hanson
D569,610 S 5/2008 Wang
D575,059 S 8/2008 Cappiello et al.
7,597,478 B2 10/2009 Pruchnicki et al.
D609,466 S 2/2010 Stulman
D620,708 S 8/2010 Sanz
7,861,857 B2 1/2011 Vorderkunz
D632,888 S 2/2011 Jobert
D648,533 S 11/2011 Sosnovsky
D661,085 S 6/2012 Custer
D667,043 S 9/2012 Couch, III
D667,219 S 9/2012 Munson
D674,603 S 1/2013 Gerbi
8,453,899 B1 6/2013 Calkin
D688,457 S 8/2013 Harris
D688,458 S 8/2013 Harris
D689,283 S 9/2013 Berkowitz
D692,662 S 11/2013 Pignotti
D698,150 S 1/2014 Sabounjian
8,695,770 B2 4/2014 Santy
D713,639 S 9/2014 Whitlock et al.
D717,040 S 11/2014 Swartzel et al.
D725,903 S 4/2015 Kuster et al.
D727,017 S 4/2015 Aberg et al.
D732,824 S 6/2015 Tzortzis
D738,107 S 9/2015 Adler et al.
D738,108 S 9/2015 Adler et al.
9,138,036 B2 9/2015 Andreasson et al.
D740,550 S 10/2015 Shabou
D740,551 S 10/2015 Shabou
D740,552 S 10/2015 Shabou
D742,646 S 11/2015 Amago
D745,778 S 12/2015 Shabou
9,215,918 B2 12/2015 Kao et al.
D747,873 S 1/2016 Peng
D749,318 S 2/2016 LoNigro
D758,075 S 6/2016 Quarry et al.
D761,562 S 7/2016 Venturini Fendi
D766,571 S 9/2016 Boroski
D770,761 S 11/2016 Deioma et al.
D777,425 S 1/2017 Shin et al.
D782,820 S 4/2017 Thompson
D784,908 S 4/2017 Kalchuri et al.
D785,325 S 5/2017 Samrelius et al.
D789,682 S 6/2017 Maeng
D792,167 S 7/2017 Bradley
D794,323 S 8/2017 Dumas
D794,947 S 8/2017 Gavriel et al.
9,737,122 B1 8/2017 Ives et al.
D802,298 S 11/2017 Sassi
D805,851 S * 12/2017 Sullivan D7/607
D808,173 S 1/2018 Seiders et al.
D808,174 S 1/2018 Seiders et al.
D808,175 S 1/2018 Seiders et al.
D808,225 S 1/2018 Seiders et al.
D810,435 S 2/2018 Hoppe et al.
D811,738 S 3/2018 Dumas

D811,746 S 3/2018 Seiders et al.
D812,898 S 3/2018 Lai
D813,539 S 3/2018 Van Assche
D817,107 S 5/2018 Larson et al.
D819,327 S 6/2018 Jusic
D822,987 S 7/2018 Seiders et al.
D822,997 S 7/2018 Seiders et al.
D822,999 S 7/2018 Seiders et al.
D823,602 S 7/2018 Seiders et al.
D825,276 S 8/2018 Seiders et al.
D834,895 S * 12/2018 Triska D7/607
D844,975 S * 4/2019 Munie D3/217
D848,798 S * 5/2019 Munie D7/607
10,384,855 B2 * 8/2019 Seiders A45C 13/008
D867,823 S * 11/2019 Jacobsen D7/607
D868,544 S * 12/2019 Lin D7/605
D885,752 S * 6/2020 Dumas D3/217
D890,517 S * 7/2020 Smith D3/217
10,781,028 B2 * 9/2020 Munie B65D 81/3858
D902,664 S * 11/2020 Munie D7/605
D918,666 S * 5/2021 Munie D7/607
2005/0263432 A1 12/2005 Hanson
2006/0065500 A1 3/2006 Herrig
2008/0142558 A1 6/2008 Dexter
2013/0322786 A1 12/2013 Nassanian
2014/0248003 A1 9/2014 Mogil et al.
2014/0270591 A1 9/2014 Joly
2016/0206061 A1 7/2016 Ford
2016/0278491 A1 9/2016 Amago
2017/0036844 A1 2/2017 Seiders et al.

FOREIGN PATENT DOCUMENTS

CA 150323 12/2013
CA 150461 12/2013
CN 302623928 11/2013
CN 302852751 6/2014
CN 302946709 9/2014
CN 303092550 2/2015
CN 303620433 3/2016
EM 002307702-0003 9/2013
EM 002333591-0015 10/2013
EM 002348797-0001 11/2013
EM 002309591-0001 12/2013
EM 002309591-0002 12/2013
EM 002309591-0003 12/2013
EM 002309591-0005 12/2013
EM 002309591-0006 12/2013
EM 002309591-0007 12/2013
EM 002309591-0008 12/2013
EM 002309591-0009 12/2013
EM 002520213-0005 8/2014
EM 002599944-0001 1/2015
EM 002629964-0001 2/2015
EM 002119362-0001 4/2015
EM 002639724-0002 5/2015
EM 002734988-0003 7/2015
EM 002734988-0004 7/2015
EM 002760678-0005 9/2015
EM 002906594-0010 12/2015
EM 003146869-0001 8/2016
EM 003359199-0001 9/2016
EM 003359199-0002 9/2016
GB 4041233 8/2015
JP D1475659 7/2013
KR 300687326.0000 4/2013
WO D079659-001 12/2012

OTHER PUBLICATIONS

Kuiu, "Taku 3000", Accessed May 10, 2017. (<http://www.kuiu.com/gear-bags/taku-3000/96004.html>).
Amazon, "Seattle Sports Seattle Sports Downstream Duffel", First reviewed Oct. 26, 2009. Accessed Sep. 27, 2017. (<https://www.amazon.com/Seattle-Sports-FrostPak-Soft-Cooler/dp/BOOLGZ28FI>).

(56)

References Cited

OTHER PUBLICATIONS

Seattle Sports, “Wet/Dry Toploader Duffel”, Accessed Sep. 27, 2017. (<http://www.seattlesportsco.com/custom-gear/wetdry-toploader-duffel.html>).

REI, “Patagonia Black Hole Duffel—60L”, First reviewed “two years ago”. (<https://www.rei.com/product/884915/patagonia-black-hole-duffel-60l>) (Year: 2016).

Gear Junkie, “YETI Enters New Market: Meet the ‘Panga’ Submersible Duffel”, Posted on Jun. 29, 2017. (<http://gearjunkie.com/yeti-panga-submersible-duffel-review>) (Year: 2017).

Amazon, “Säk Gear DuffelS?k Pro Waterproof Duffel Bag”, First reviewed Jun. 20, 2018. (<https://www.amazon.com/dp/B07D1GVCC4/>) (Year: 2018).

Amazon, “Velomacchi Waterproof Hybrid Duffel Bag Backpack 50 Liter”, First reviewed Jun. 3, 2018. (<http://www.amazon.com/Velomacchi-Waterproof-Hybrid-Duffel-Backpack/dp/B07573PY96>) (Year: 2018).

Amazon, “Bago Field Duffel Bag/Backpack/Travel Tactical Duffel For Army Camping”, First on sale Nov. 7, 2016. (<https://www.amazon.com/dp/B01M6CSF2R>) (Year: 2016).

* cited by examiner

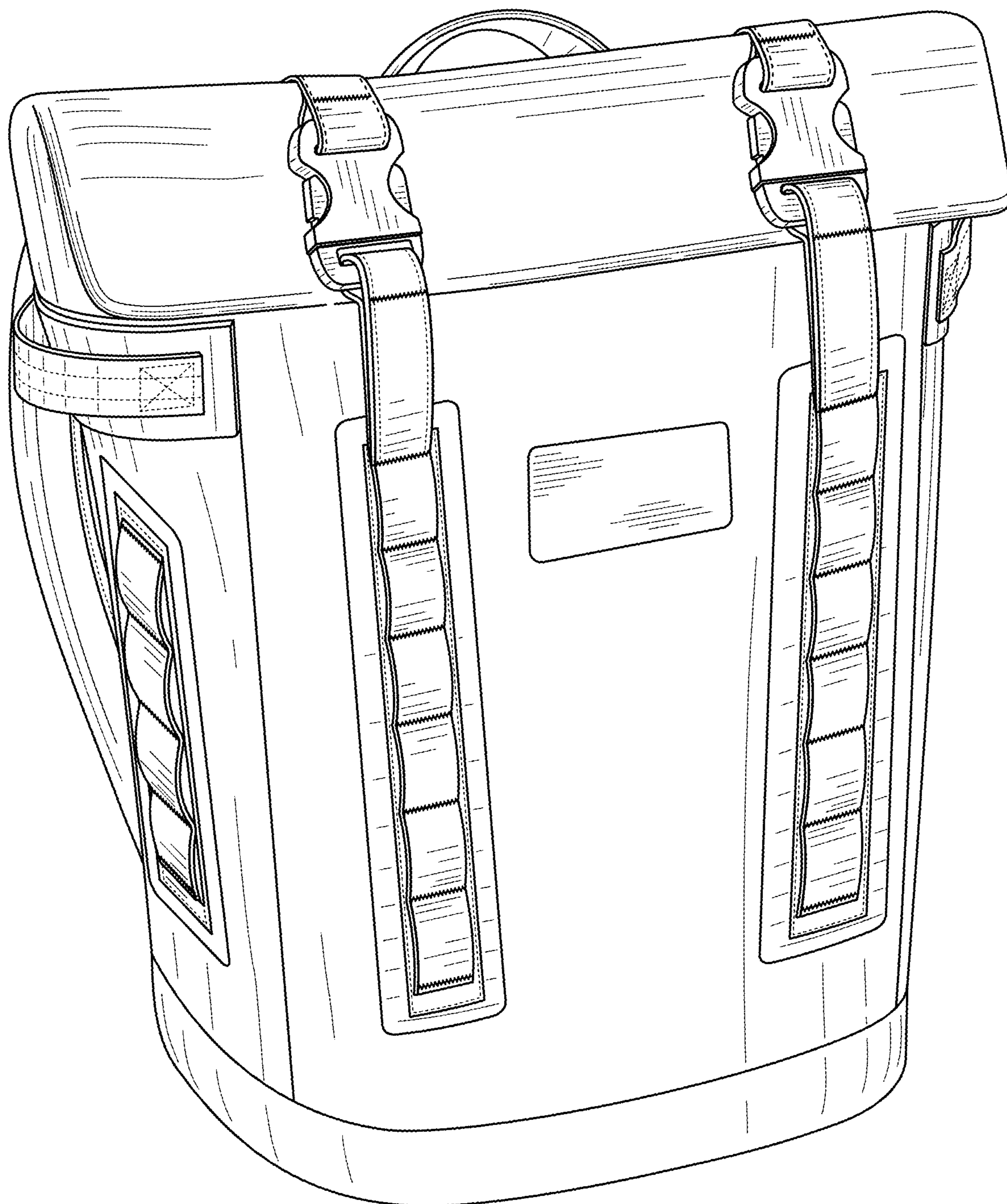


FIG. 1

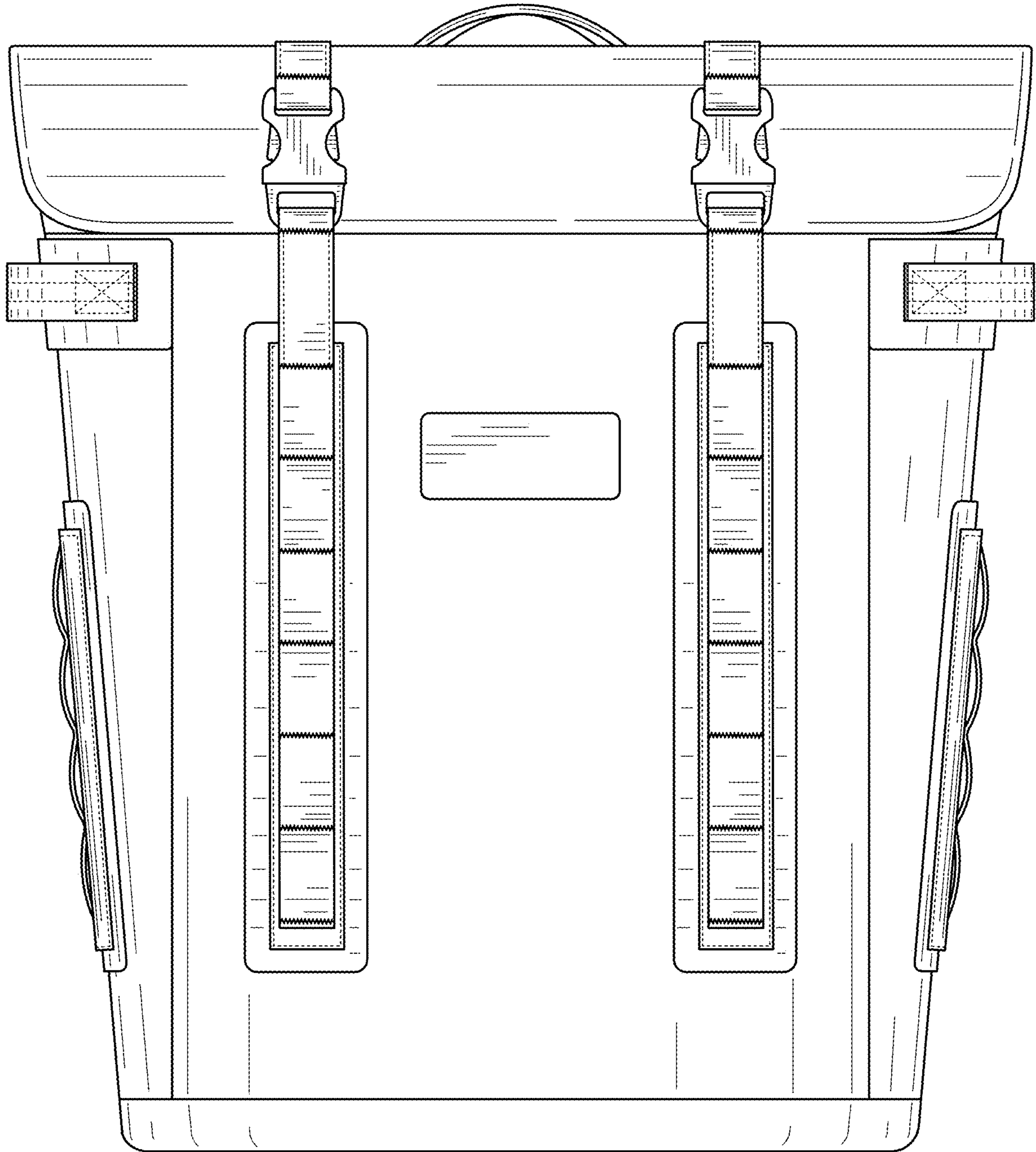


FIG. 2

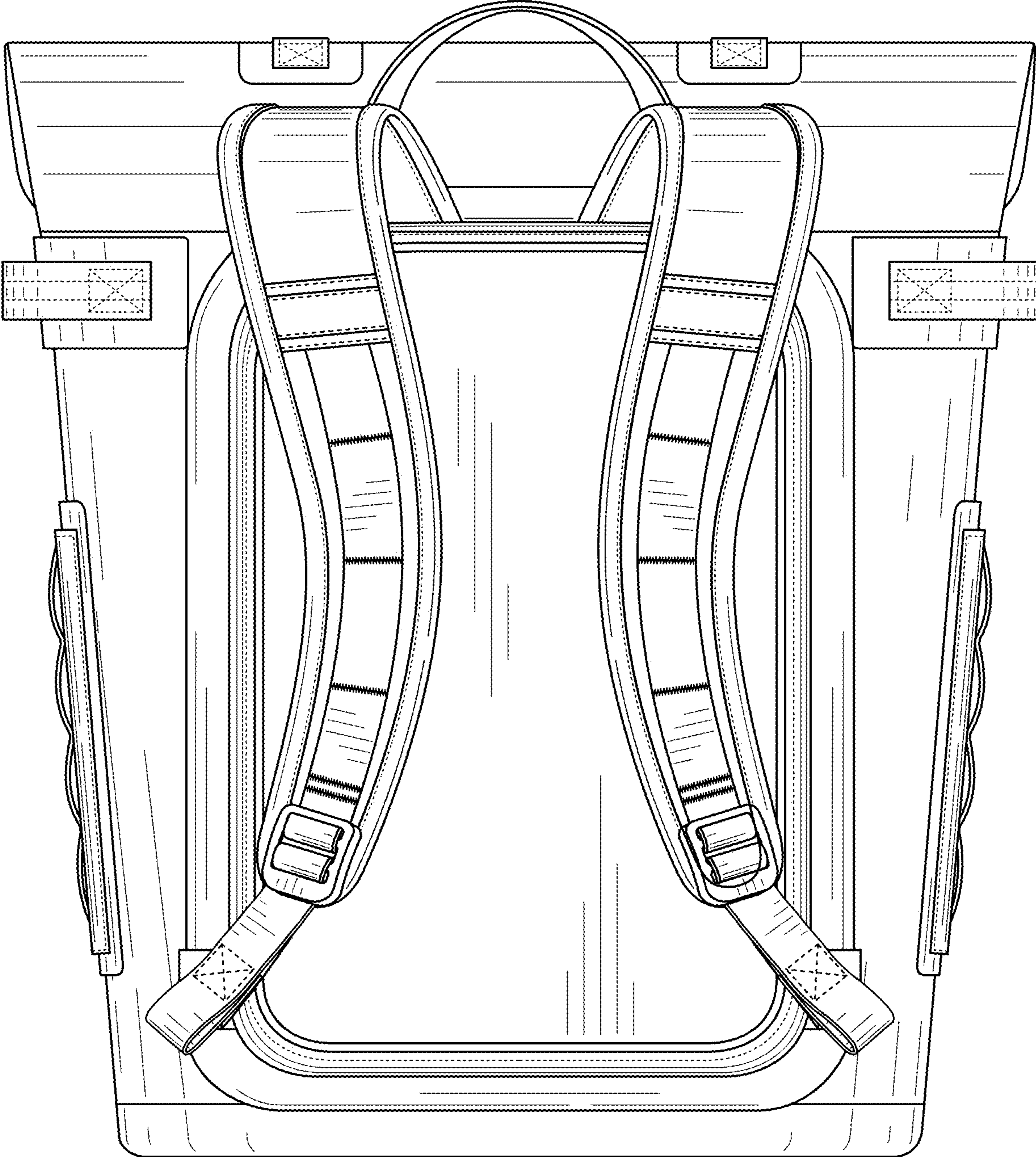


FIG. 3

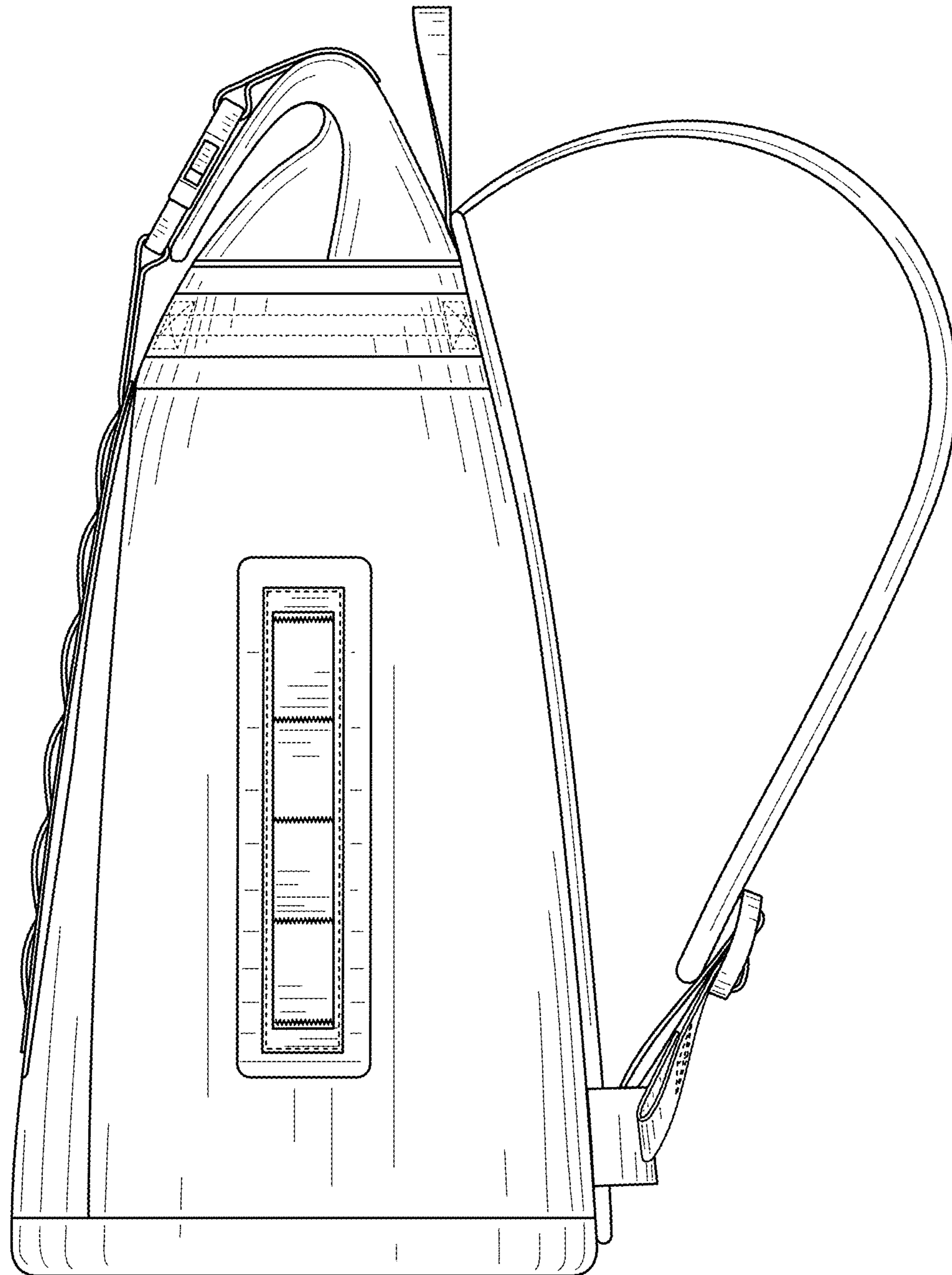


FIG. 4

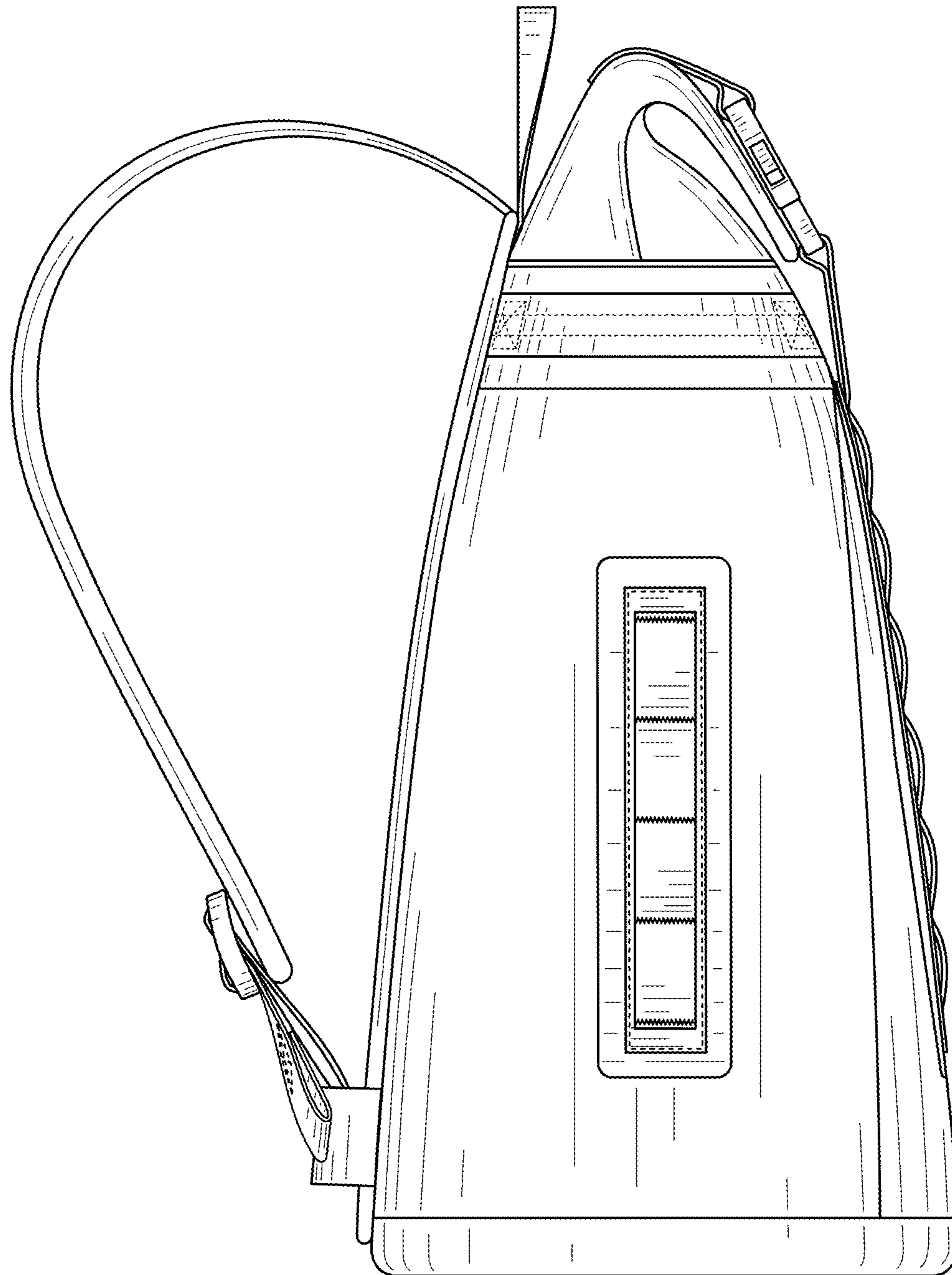


FIG. 5

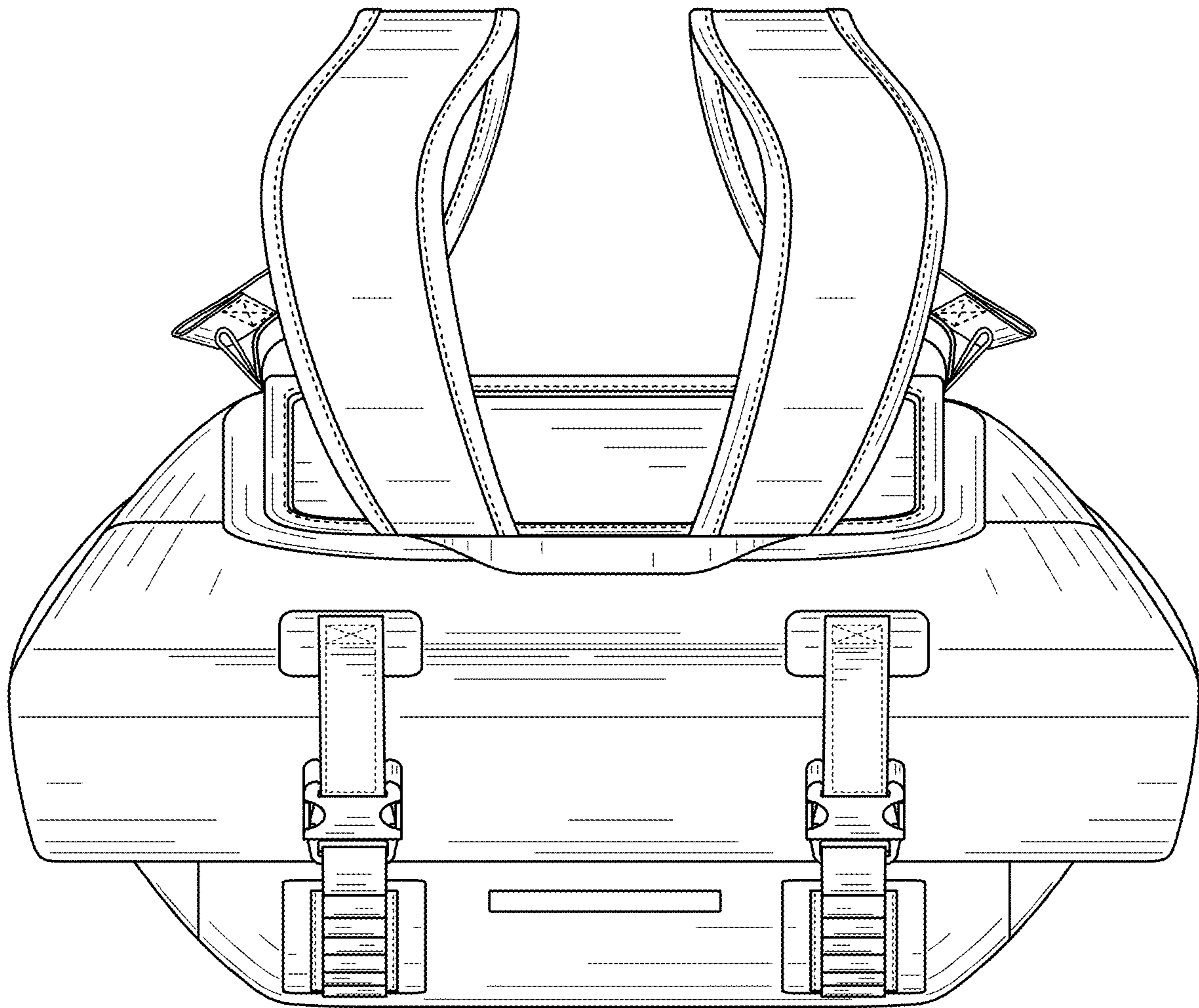


FIG. 6

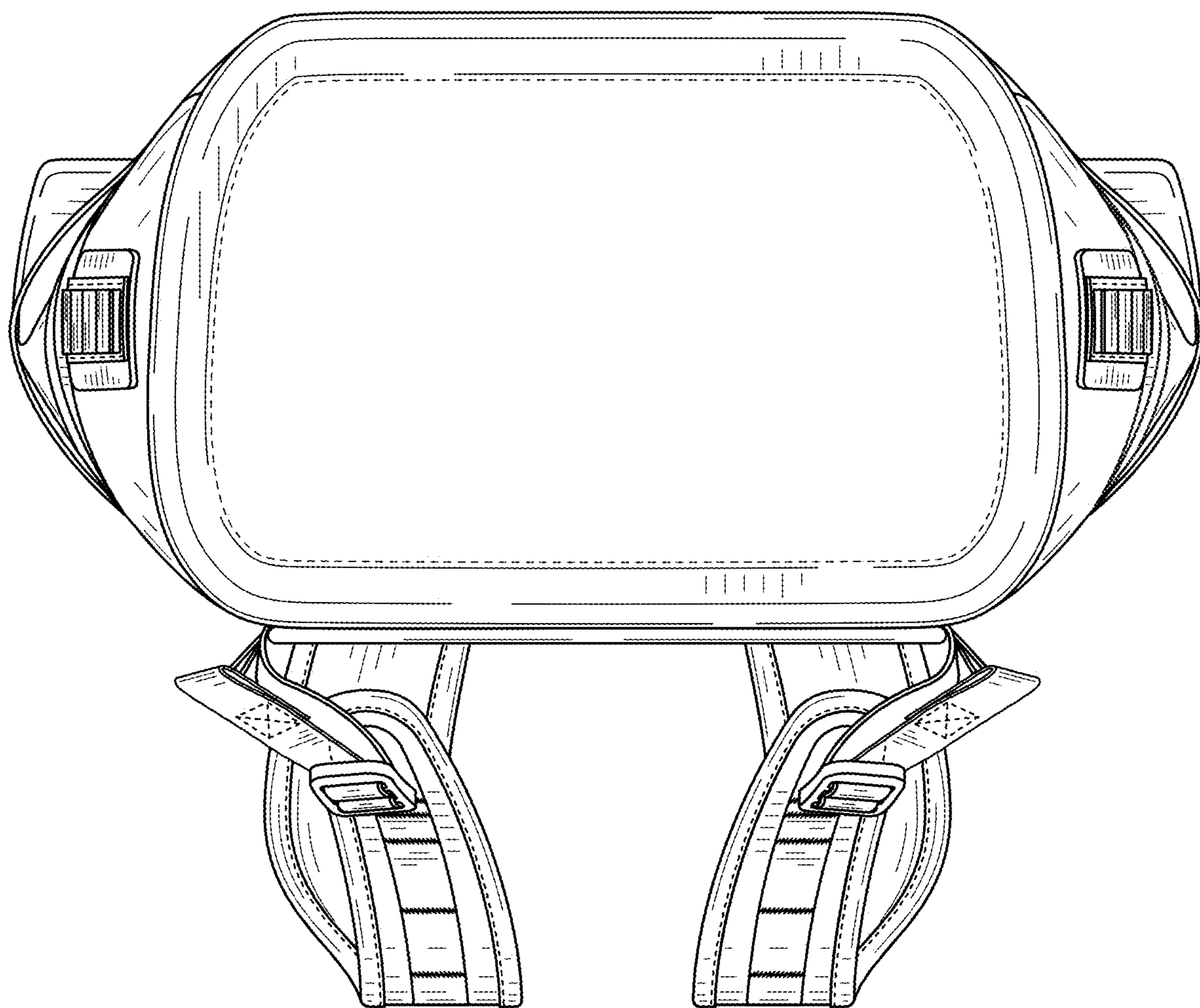


FIG. 7