



US00D957117S

(12) **United States Design Patent** (10) **Patent No.:** **US D957,117 S**
Wilcox (45) **Date of Patent:** **** Jul. 12, 2022**

(54) **BACKPACK**

(71) Applicant: **Albert Wilcox**, Locust Grove, GA (US)

(72) Inventor: **Albert Wilcox**, Locust Grove, GA (US)

(**) Term: **15 Years**

(21) Appl. No.: **29/711,963**

(22) Filed: **Nov. 4, 2019**

(51) **LOC (13) Cl.** **03-01**

(52) **U.S. Cl.**
USPC **D3/217**

(58) **Field of Classification Search**

USPC D3/215–218, 221, 224–226, 230–233,
D3/242–246, 303, 318

CPC A45F 3/04; A45F 3/047; A45F 2003/045;
A45F 4/02

See application file for complete search history.

(56) **References Cited**

U.S. PATENT DOCUMENTS

5,222,642	A *	6/1993	Solarz	A45C 13/08
					224/191
D351,943	S *	11/1994	Young	D3/216
D469,952	S *	2/2003	Daglow	D3/216
D673,362	S *	1/2013	Presman	D3/217
D732,287	S *	6/2015	Clark	D3/217
D775,817	S *	1/2017	Ridley	D3/217
D817,634	S *	5/2018	Fusi	D3/217
D847,494	S *	5/2019	Tang	D3/217
D867,750	S *	11/2019	Warren	D3/217
D877,494	S *	3/2020	Roure	D3/217
D890,515	S *	7/2020	Oviedo Polanco	D3/216
D895,271	S *	9/2020	Enriquez	D3/217
D909,050	S *	2/2021	Bloom	D3/216
2002/0176593	A1 *	11/2002	Magnusson	H04R 5/023
					381/301
2020/0113318	A1 *	4/2020	Hall	H04N 1/00344

OTHER PUBLICATIONS

The iPad Backpack Serves as a Communicative Link to Motorists, posted at trendhunter.com, posted on Apr. 26, 2013, retrieved Jun. 3, 2021, online, URL: <https://www.trendhunter.com/trends/ipad-backpack> (Year: 2013).*

* cited by examiner

Primary Examiner — Mary Shannon Malley

(74) *Attorney, Agent, or Firm* — Quickpatents, LLC; Kevin Prince

(57) **CLAIM**

The ornamental design for a backpack, as shown and described.

DESCRIPTION

FIG. 1 is a perspective view of a my backpack, showing my new design in a closed configuration;

FIG. 2 is a front elevational view of FIG. 1;

FIG. 3 is a rear elevational view of FIG. 1;

FIG. 4 is a left-side elevational view of FIG. 1;

FIG. 5 is a right-side elevational view of FIG. 1, FIG. 5 being a mirror-image of FIG. 4 but for the zipper pull;

FIG. 6 is a top plan view of FIG. 1;

FIG. 7 is a bottom plan view of FIG. 1;

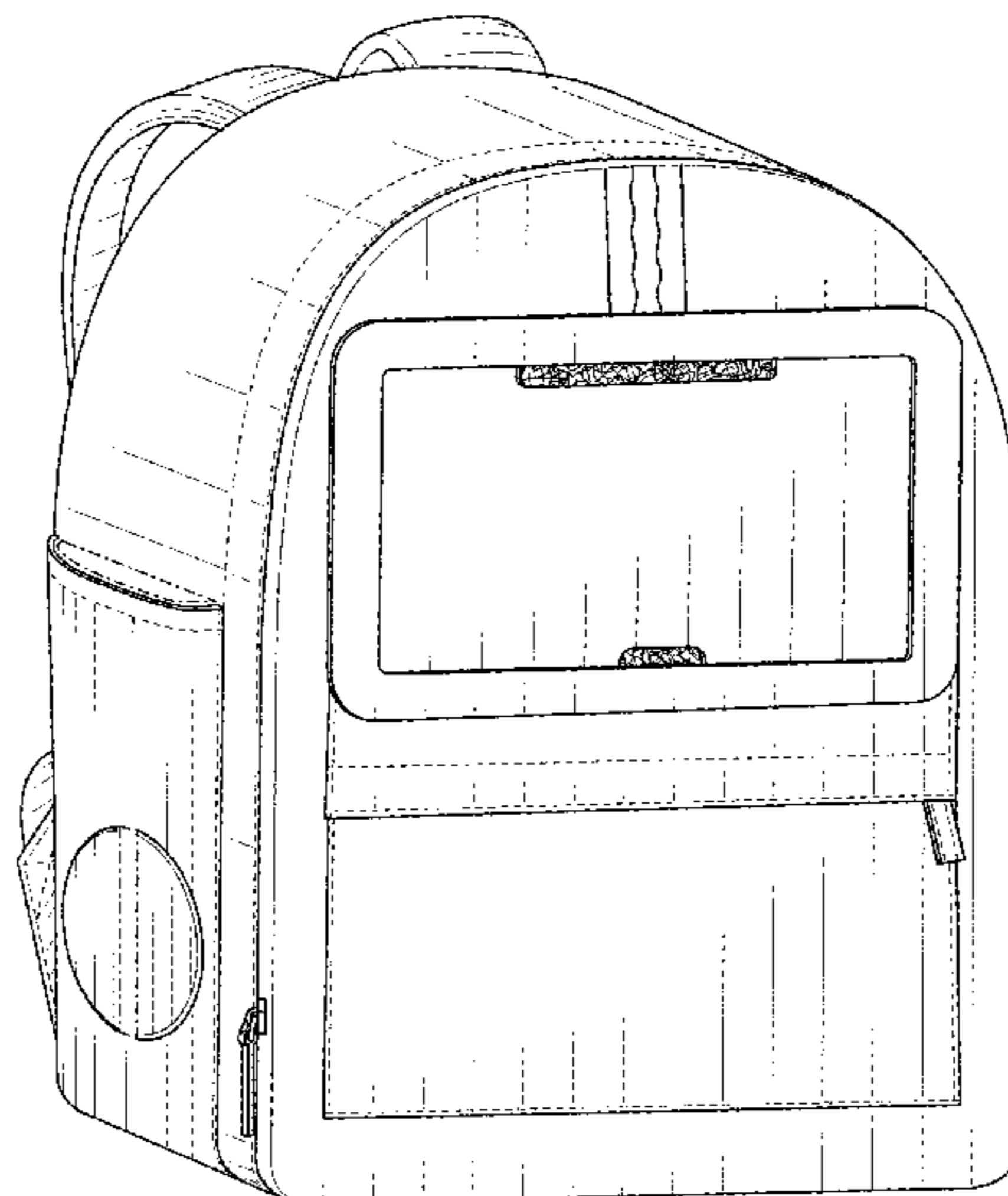
FIG. 8 is a top perspective view thereof, illustrated in an open configuration;

FIG. 9 is a rear perspective view of FIG. 8; and,

FIG. 10 is a front perspective view of FIG. 8 but showing the backpack in a fully open configuration.

The dot-dash broken lines depict portions of the backpack that form no part of the claimed design. The long dash lines in FIGS. 8-10 illustrating a tablet depict environmental subject matter that forms no part of the claimed design. The heavy weight broken lines in FIGS. 8-10 represent the zipper closure and are part of the claimed design. The remaining broken lines depict stitching, and are part of the claimed design.

1 Claim, 10 Drawing Sheets



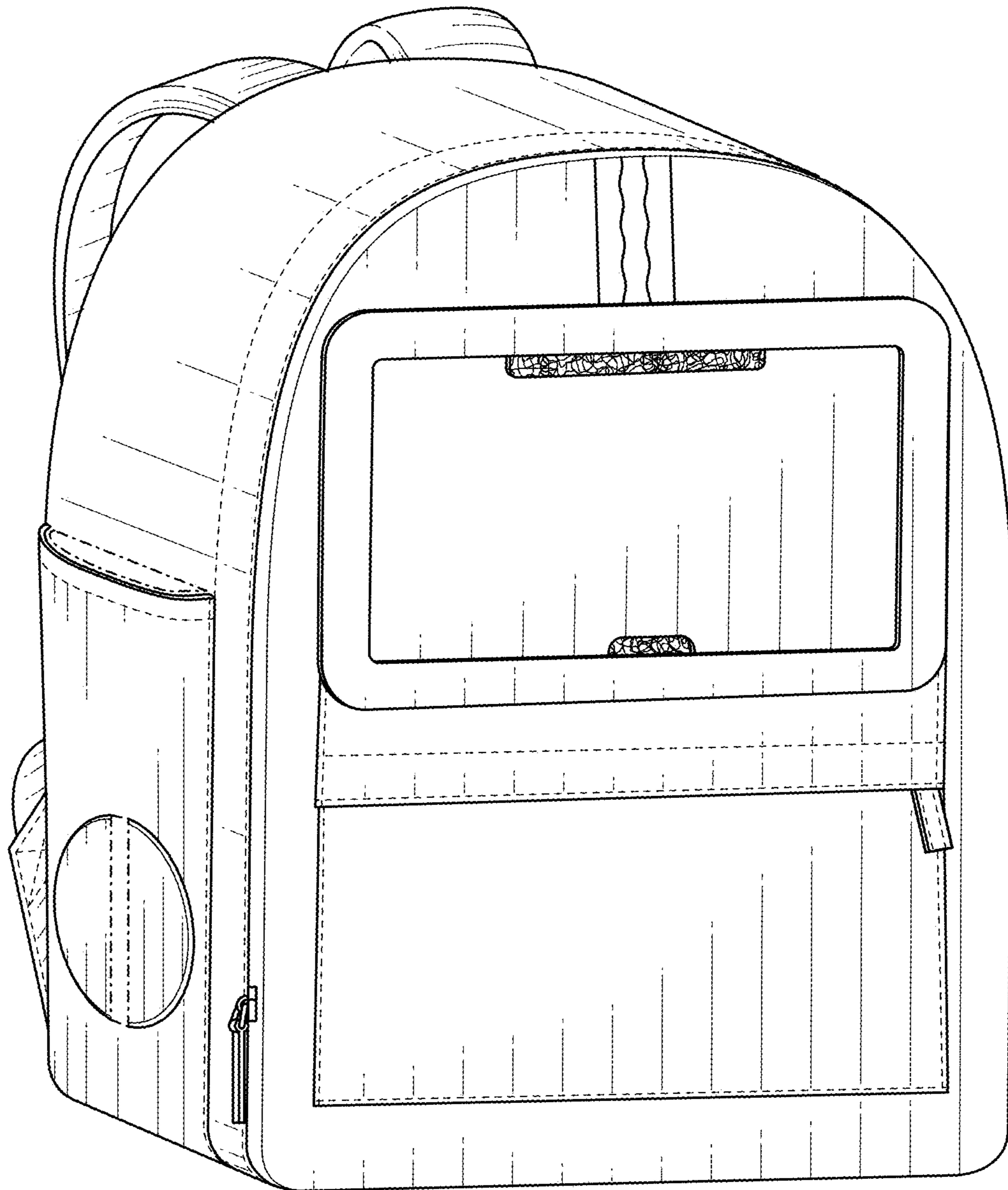


FIG. 1

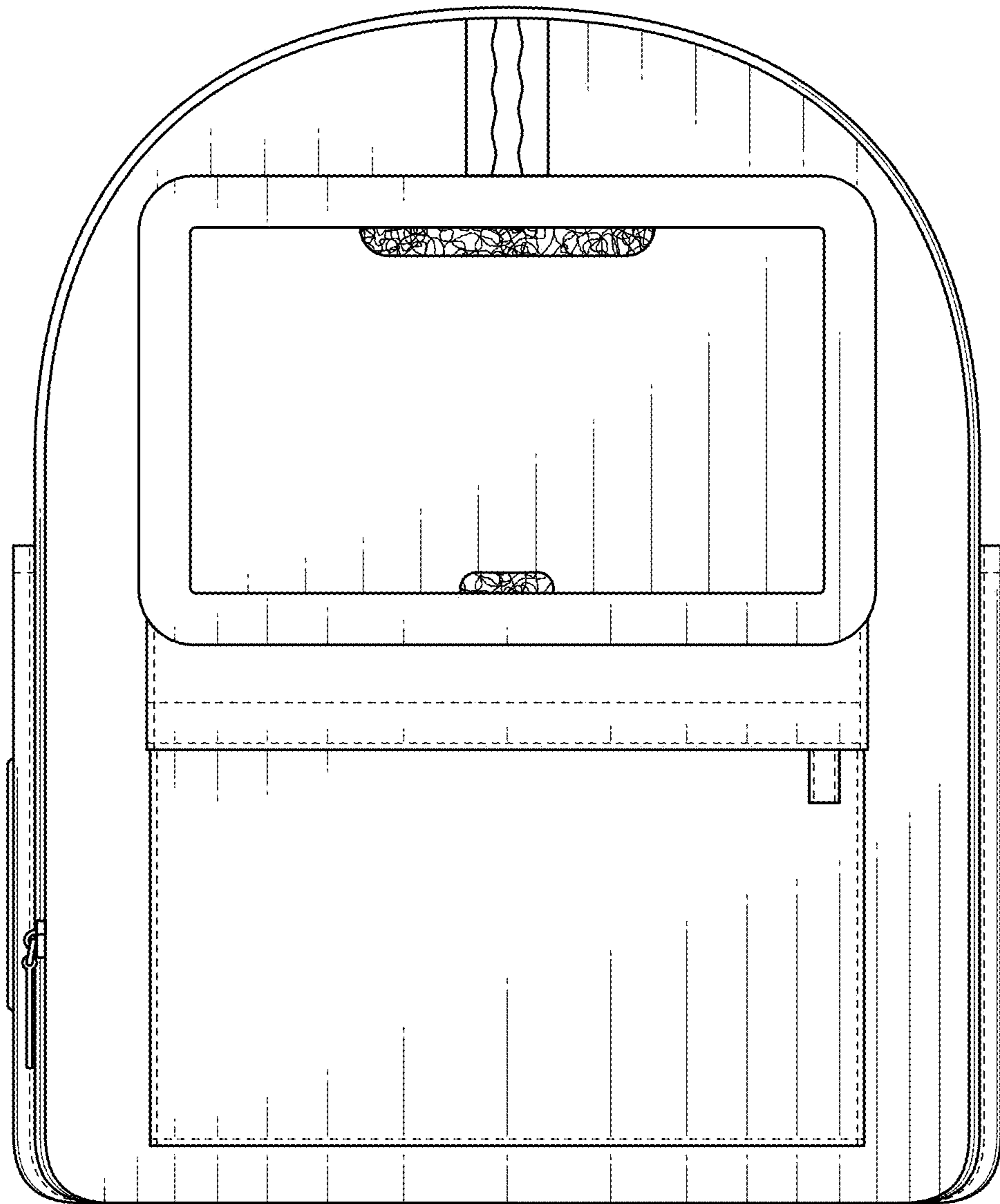


FIG. 2

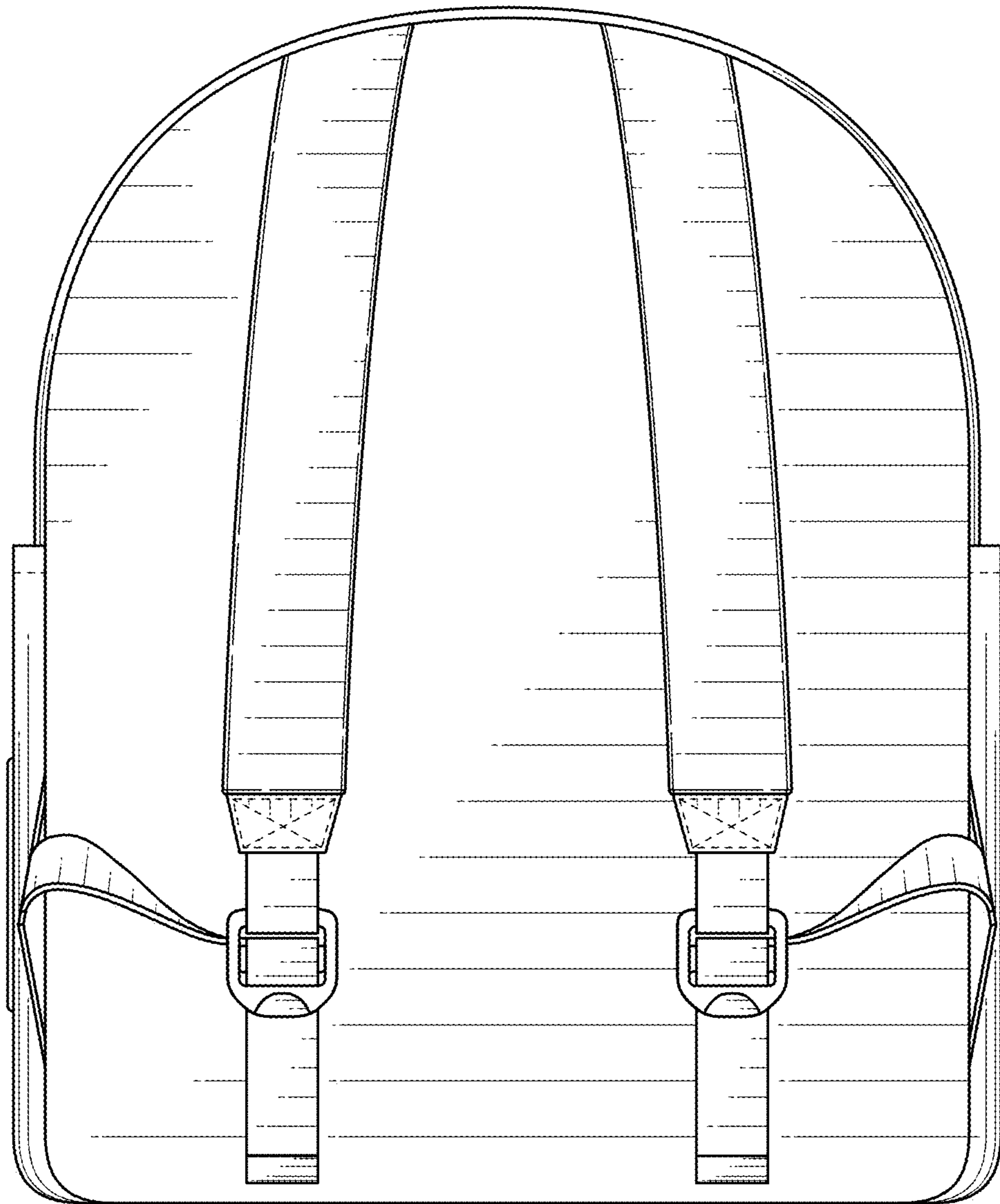


FIG. 3

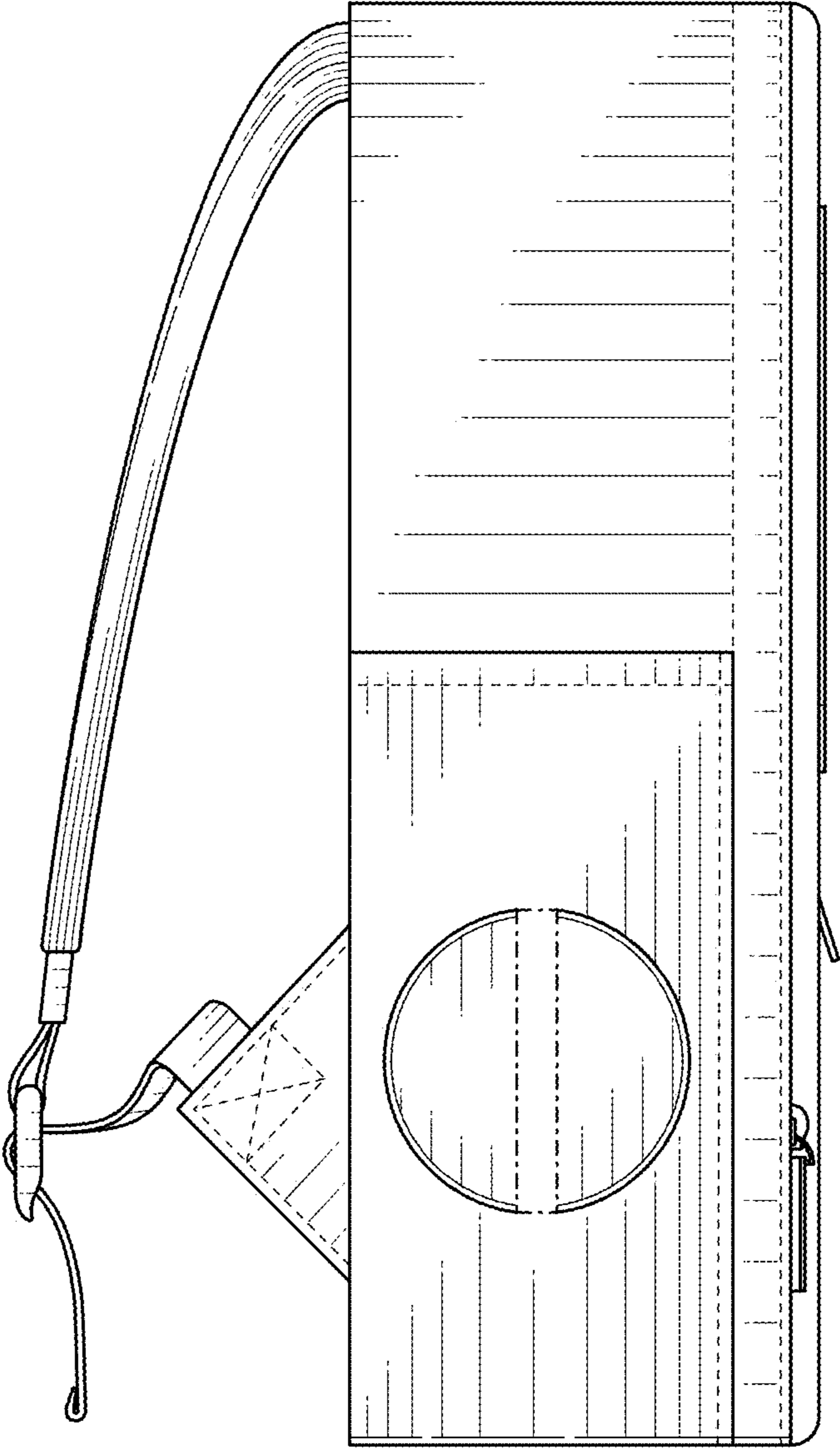


FIG. 4

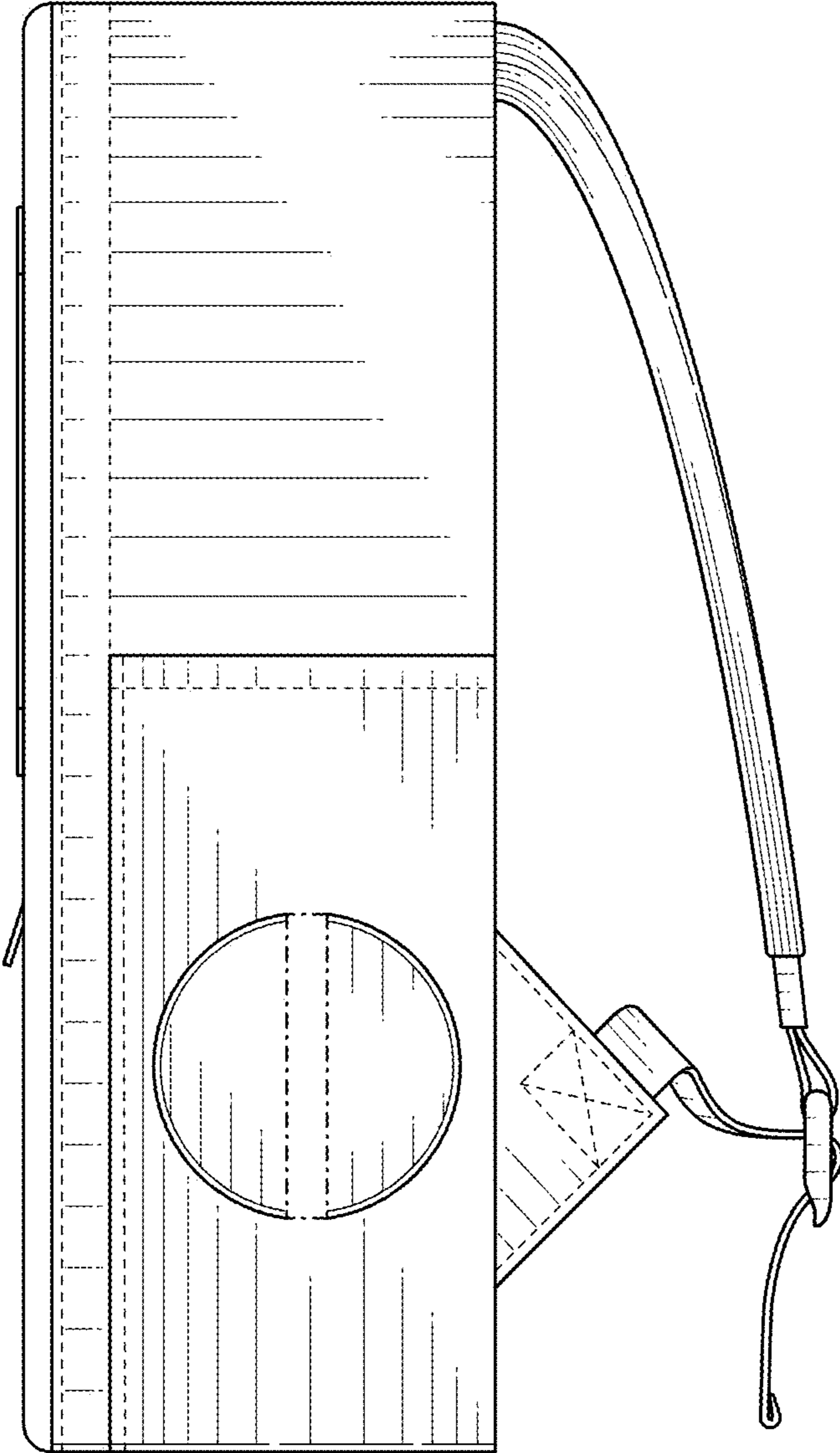


FIG. 5

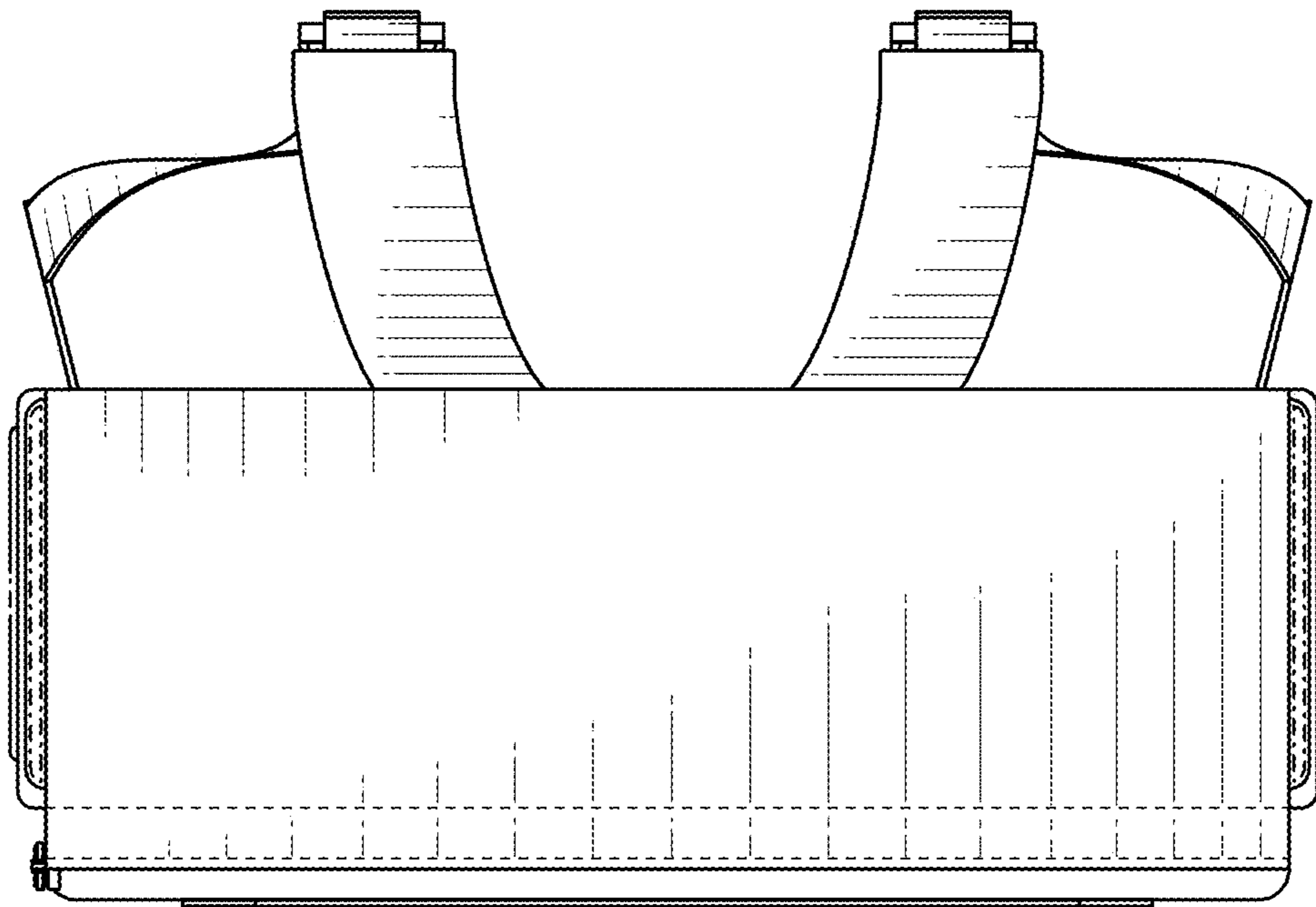


FIG. 6

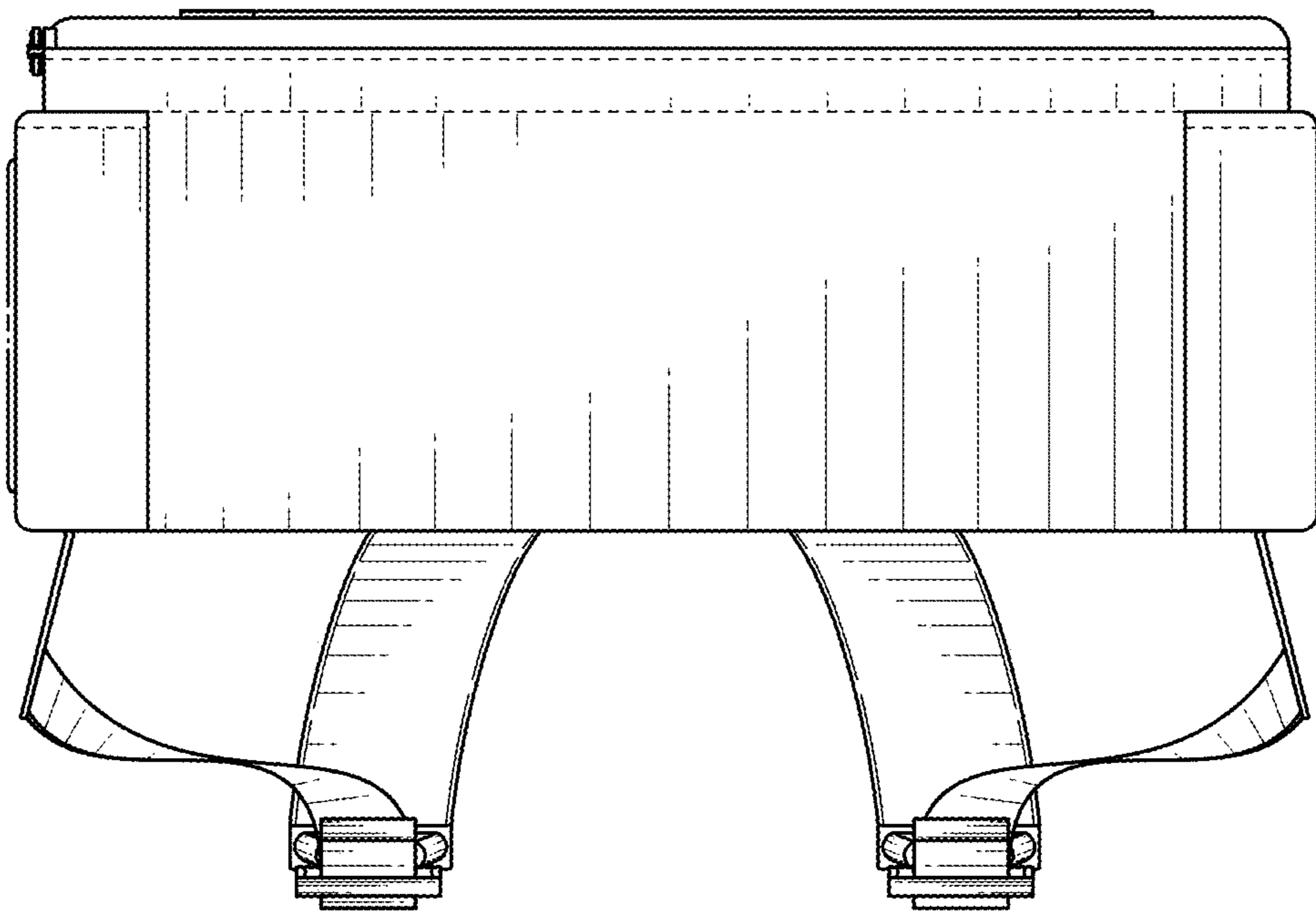


FIG. 7

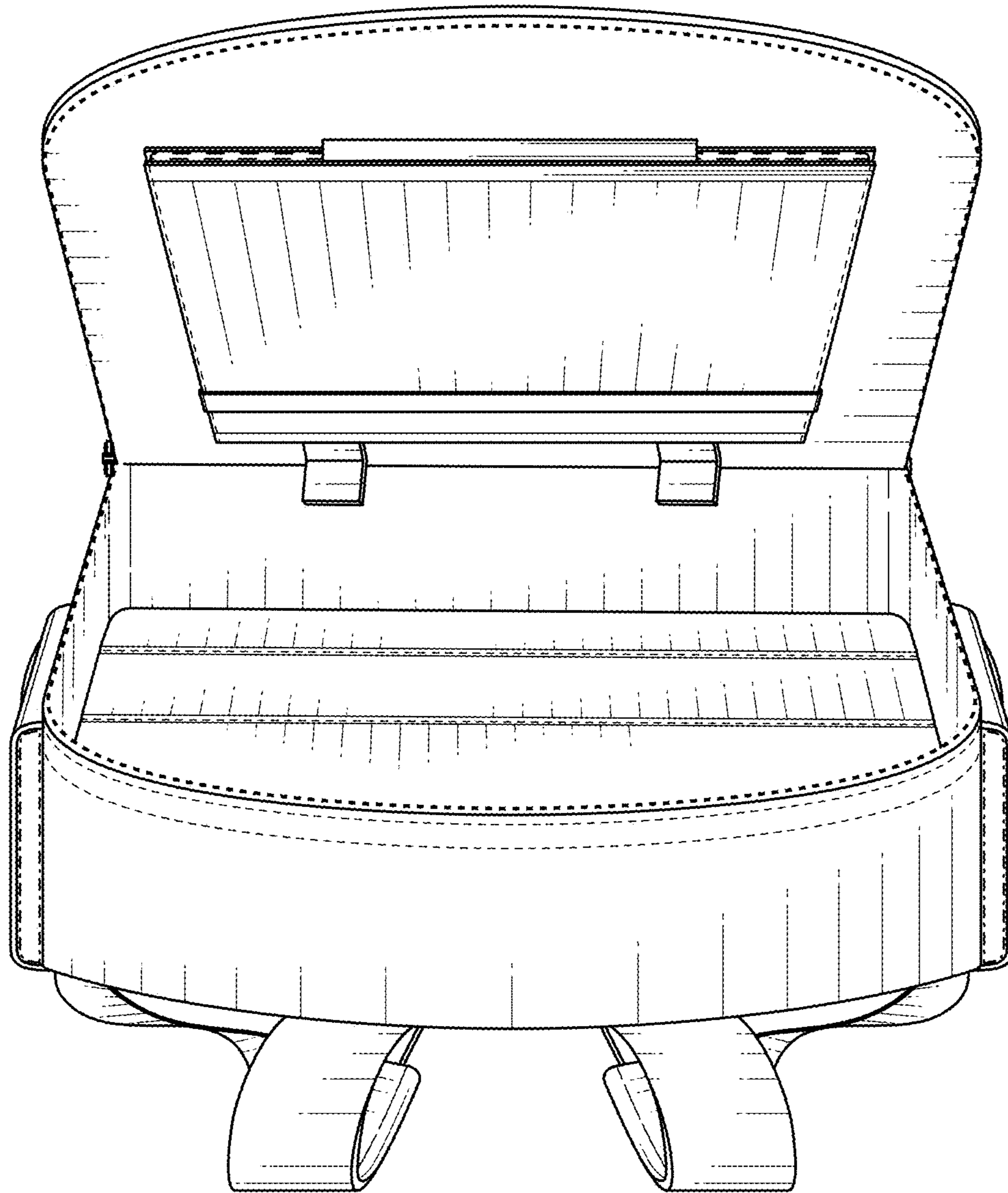


FIG. 8

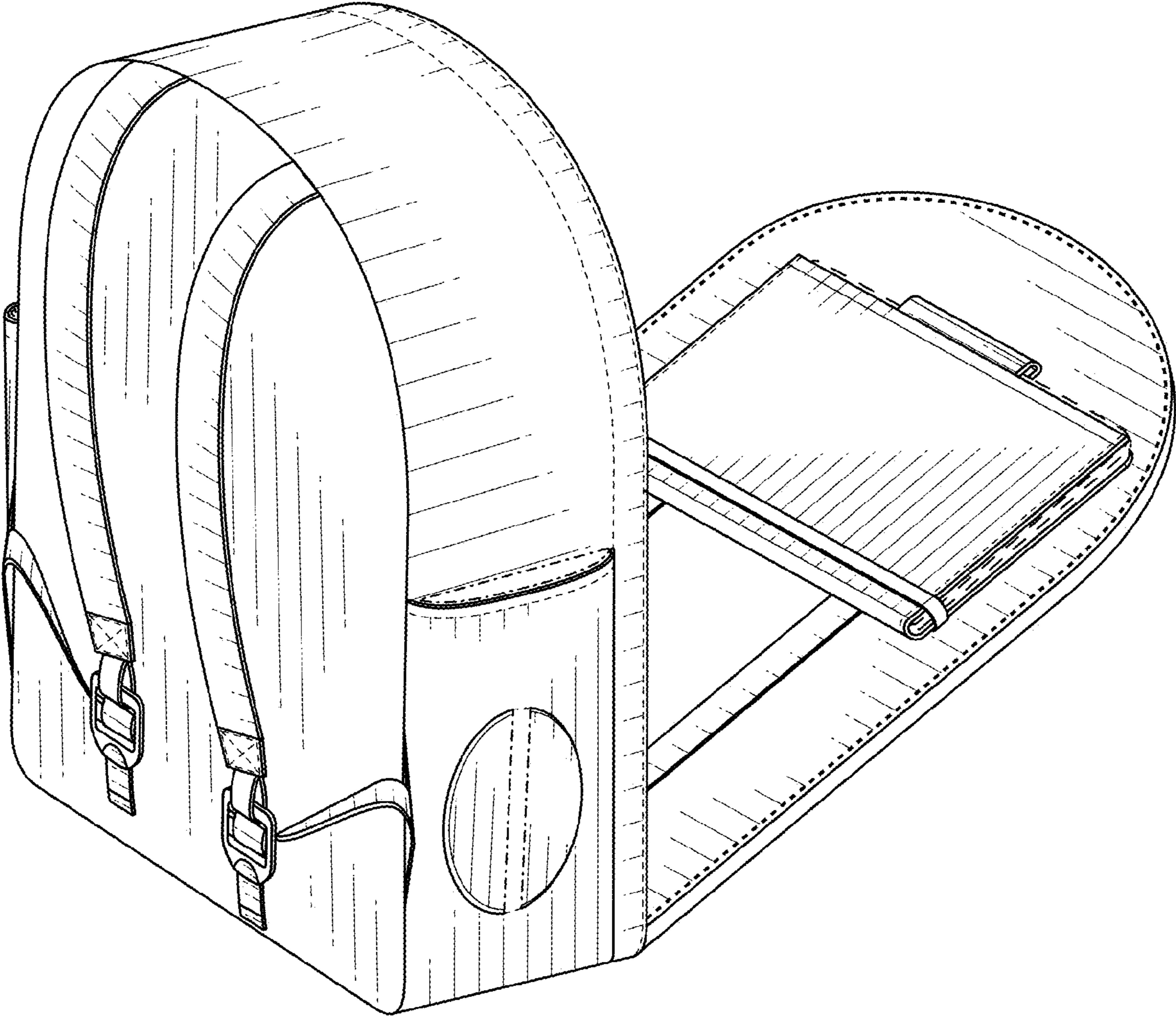


FIG. 9

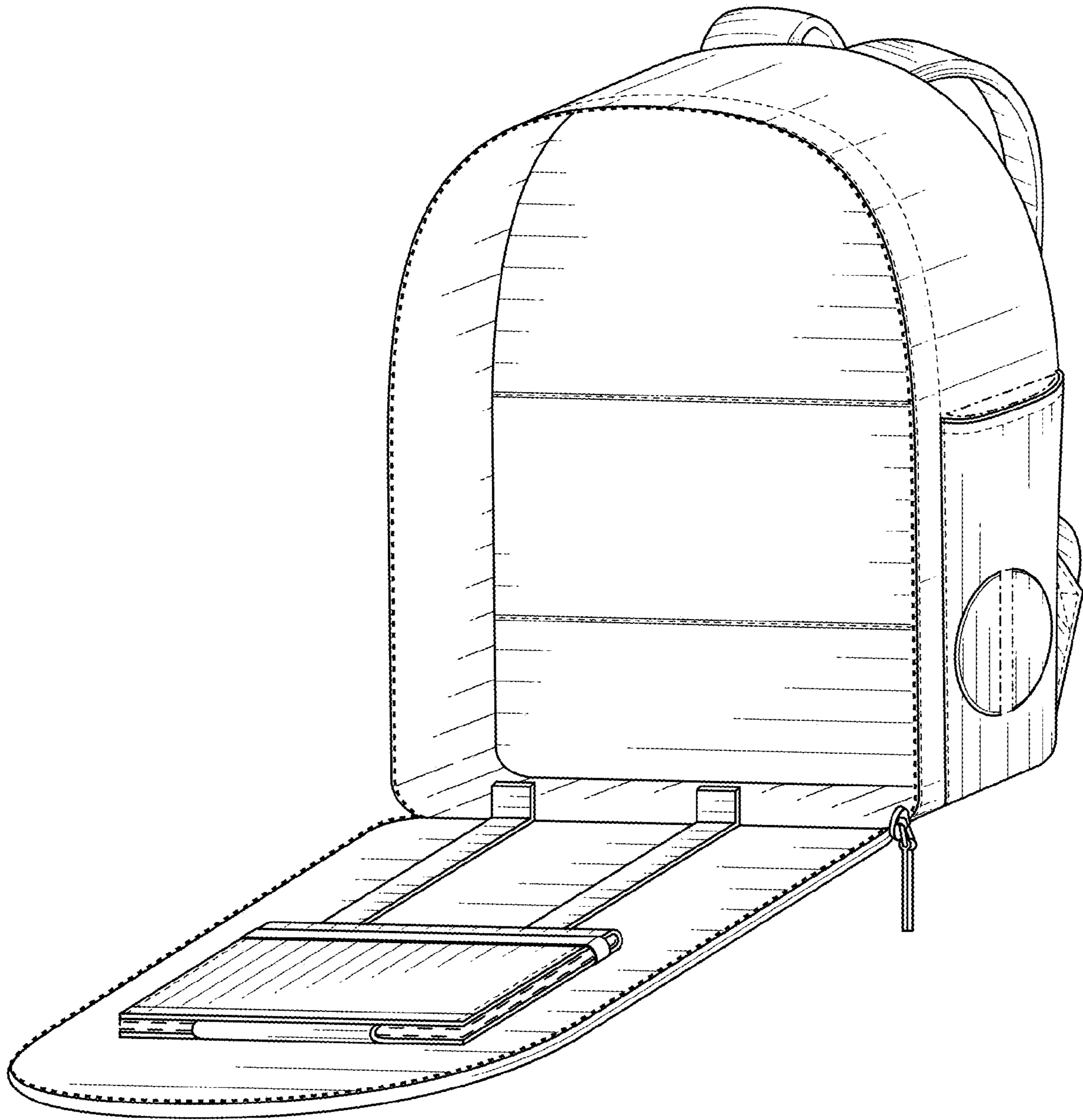


FIG. 10