



US00D957114S

(12) **United States Design Patent**
Cavalheiri

(10) **Patent No.:** **US D957,114 S**

(45) **Date of Patent:** **** Jul. 12, 2022**

(54) **STAND FOR MUSICAL INSTRUMENTS**

D643,648 S * 8/2011 Eason D6/682

D665,190 S * 8/2012 Fitzpatrick A47G 25/0664

D6/681.3

9,909,250 B1 * 3/2018 Greenspon A47G 25/0664

(71) Applicant: **Fioravante Cavalheiri**, São Paulo (BR)

(72) Inventor: **Fioravante Cavalheiri**, São Paulo (BR)

* cited by examiner

(**) Term: **15 Years**

Primary Examiner — Kevin K Rudzinski

Assistant Examiner — Amber J Rabie

(21) Appl. No.: **29/723,557**

(74) *Attorney, Agent, or Firm* — D'Ambrosio & Menon, PLLC; Usha Menon

(22) Filed: **Feb. 7, 2020**

(51) **LOC (13) Cl.** **03-01**

(57) **CLAIM**

(52) **U.S. Cl.**

The ornamental design for a stand for musical instruments, as shown and described.

USPC **D3/204**

(58) **Field of Classification Search**

DESCRIPTION

USPC D3/204; D6/682; 84/327, 421, 329;
211/85.6; 248/121, 443

CPC G10G 5/00
See application file for complete search history.

FIG. 1 is a back view of a stand for musical instruments showing my new design;
FIG. 2 is a front view thereof;
FIG. 3 is a right-side view thereof;
FIG. 4 is a left-side view thereof;
FIG. 5 is a top view thereof;
FIG. 6 is a bottom view thereof; and,
FIG. 7 is a front perspective view thereof.

(56) **References Cited**

U.S. PATENT DOCUMENTS

D375,003 S * 10/1996 Nordstrom, Jr. D17/99

D394,764 S * 6/1998 Nordstrom D17/99

6,281,417 B1 * 8/2001 Ladao A47F 7/0035

211/85.6

1 Claim, 7 Drawing Sheets

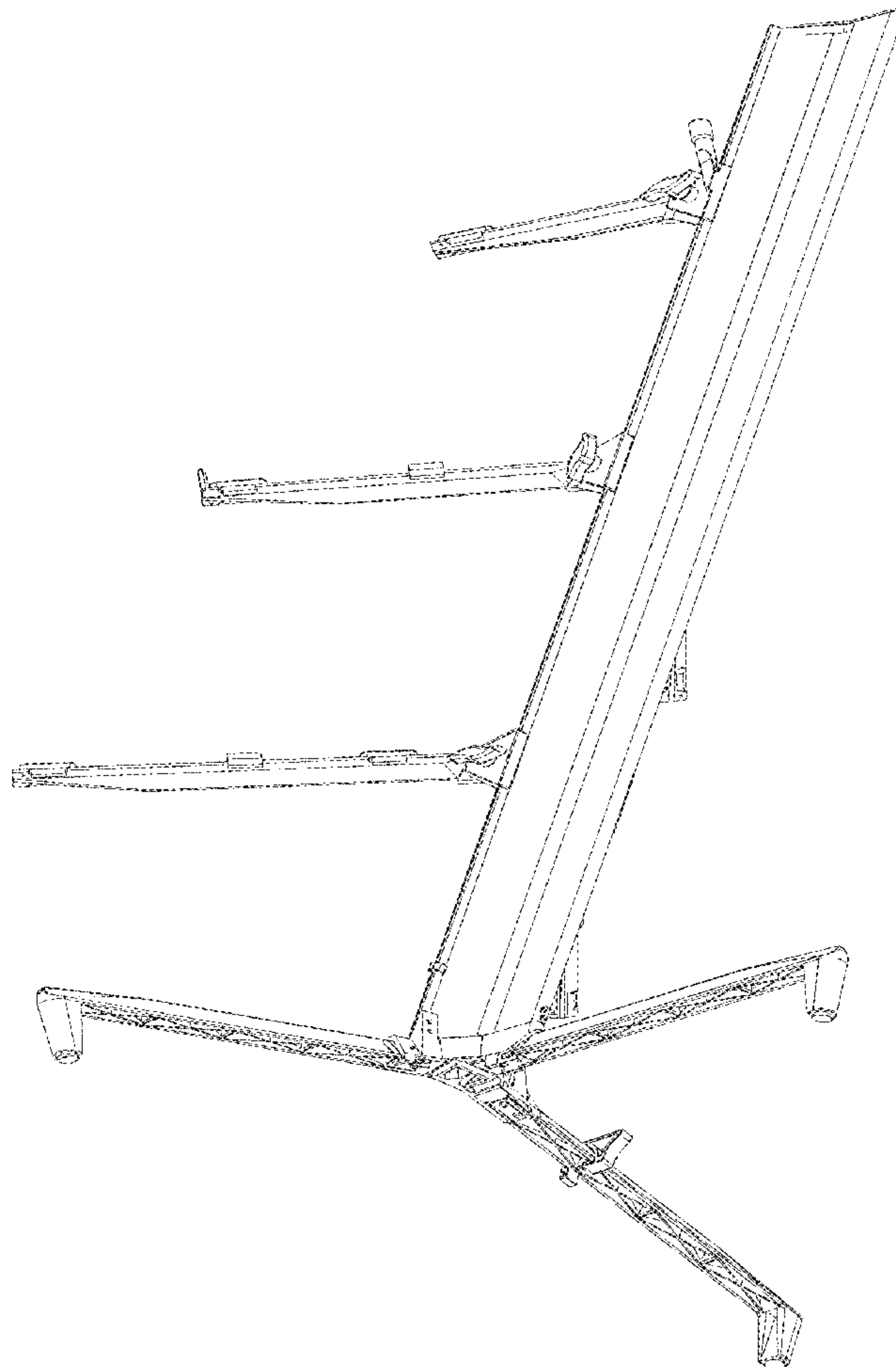


FIG. 1

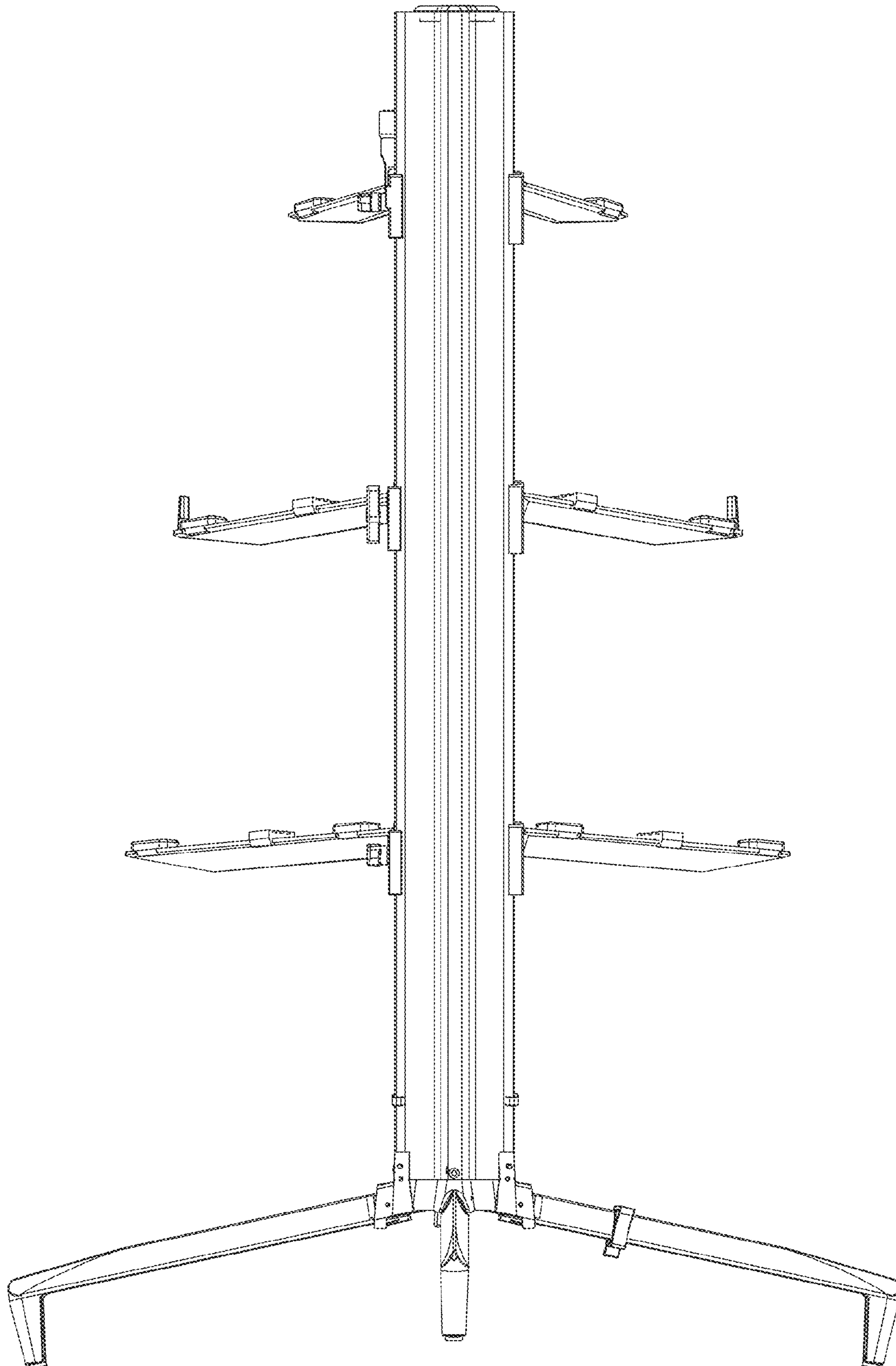


FIG. 2

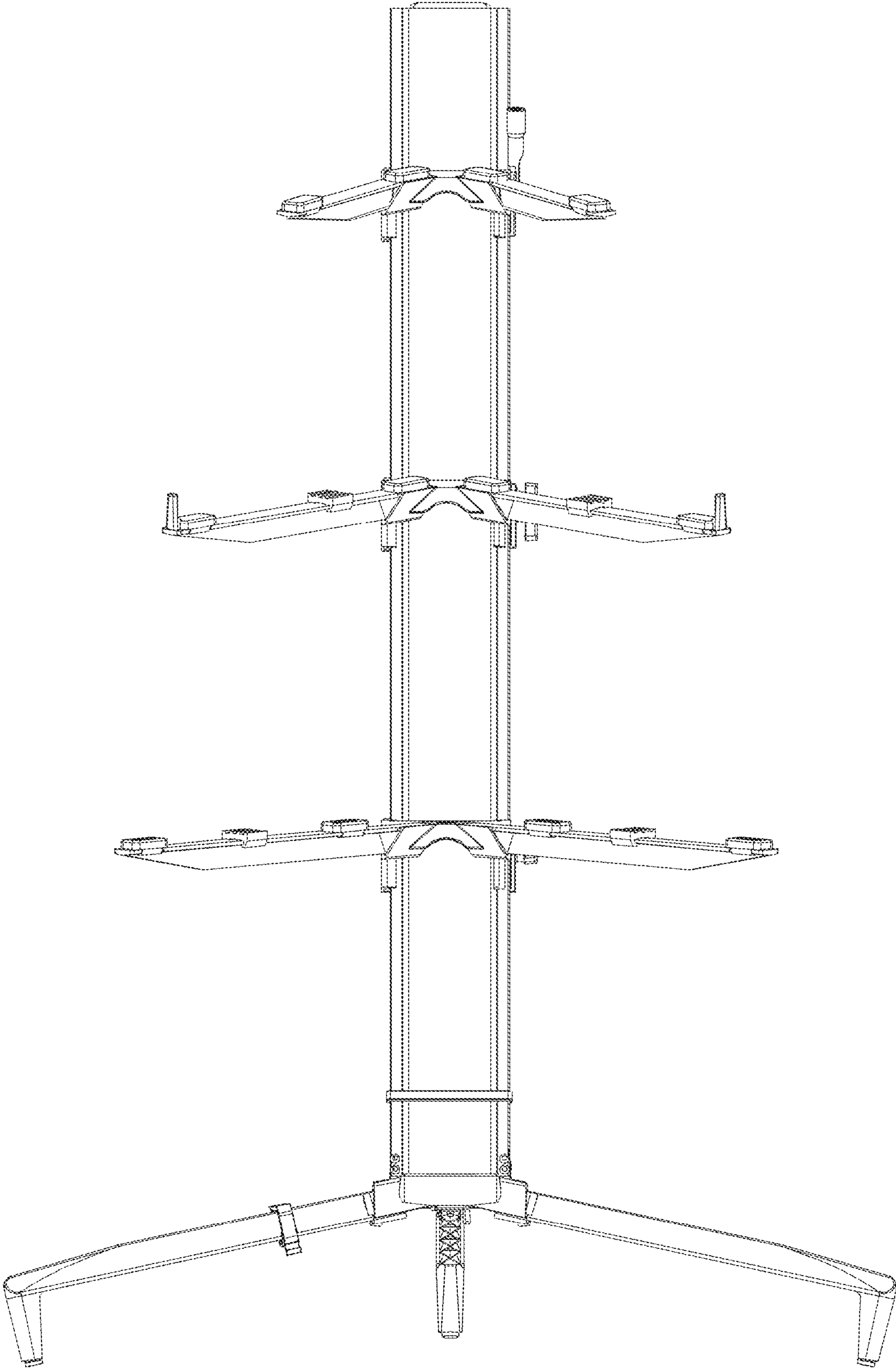


FIG. 3

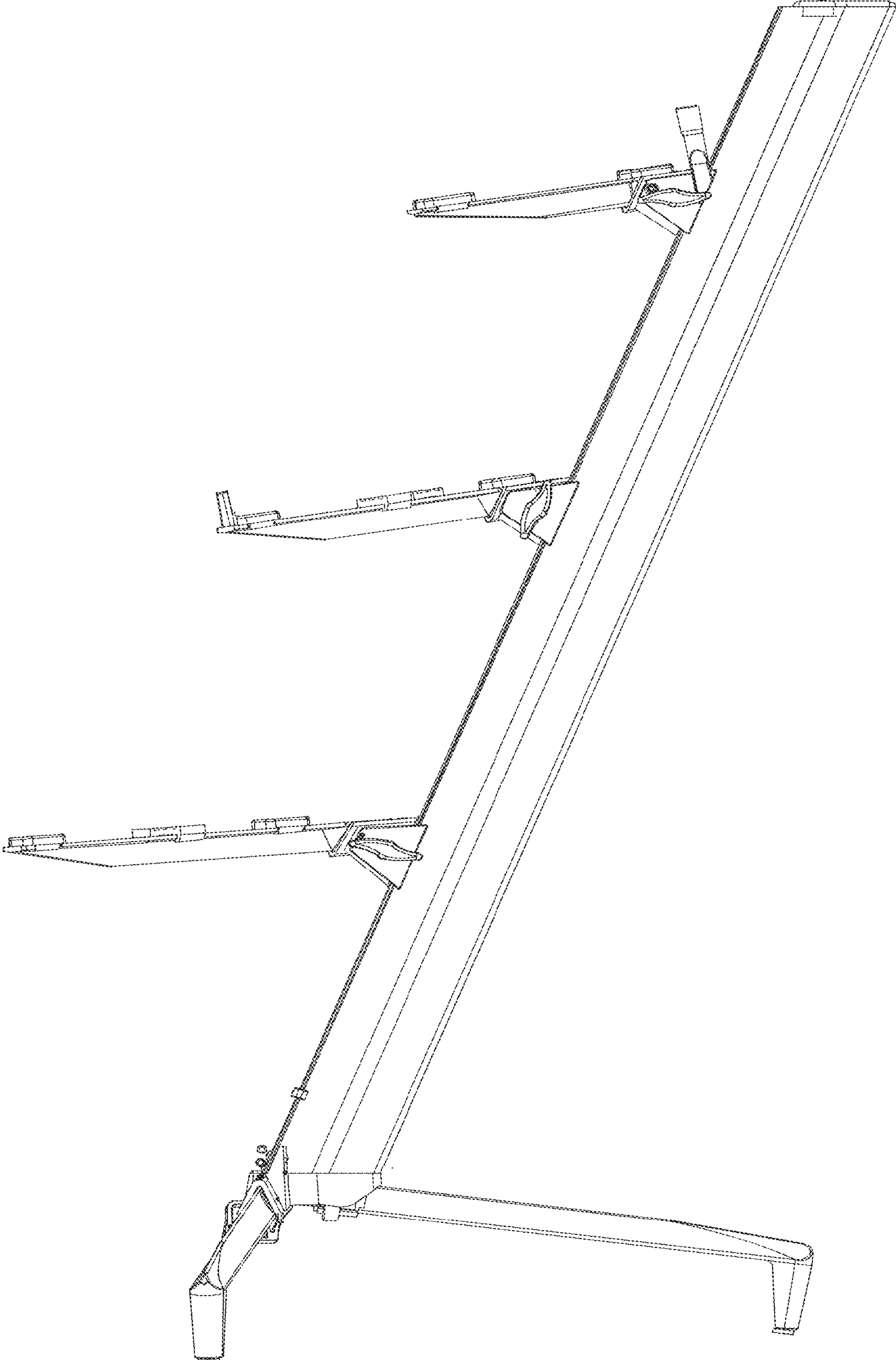


FIG. 4

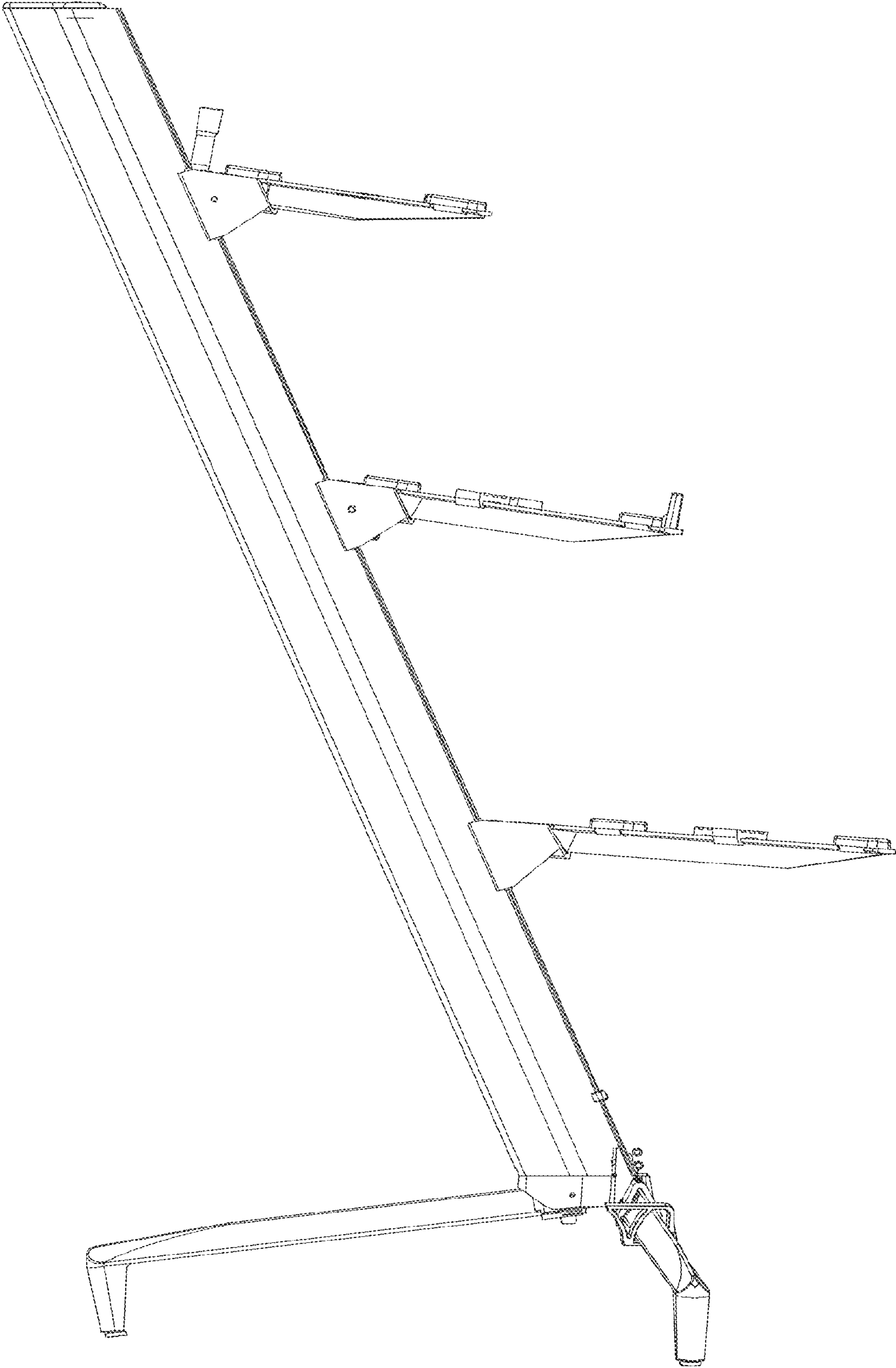


FIG. 5

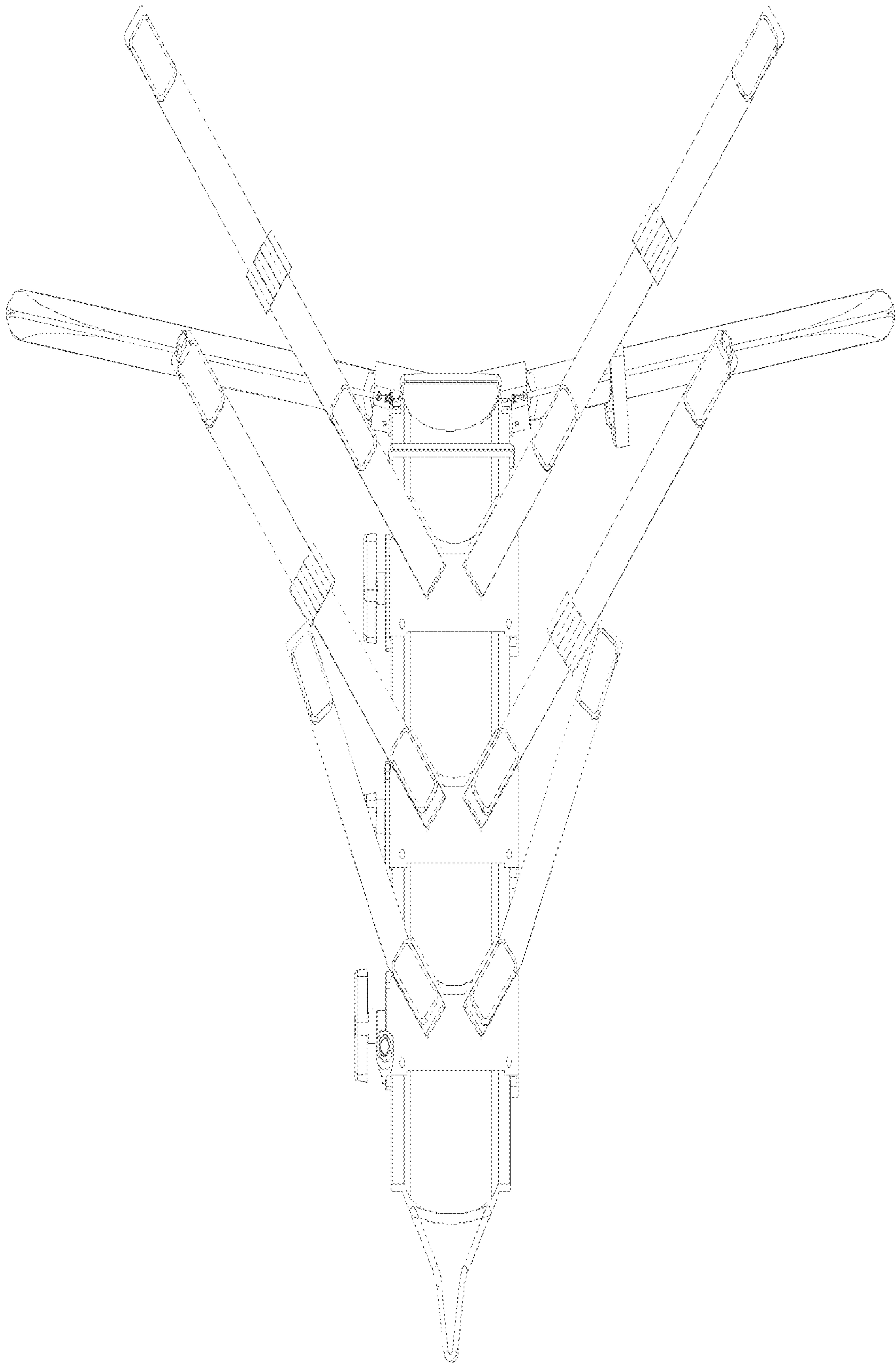


FIG. 6

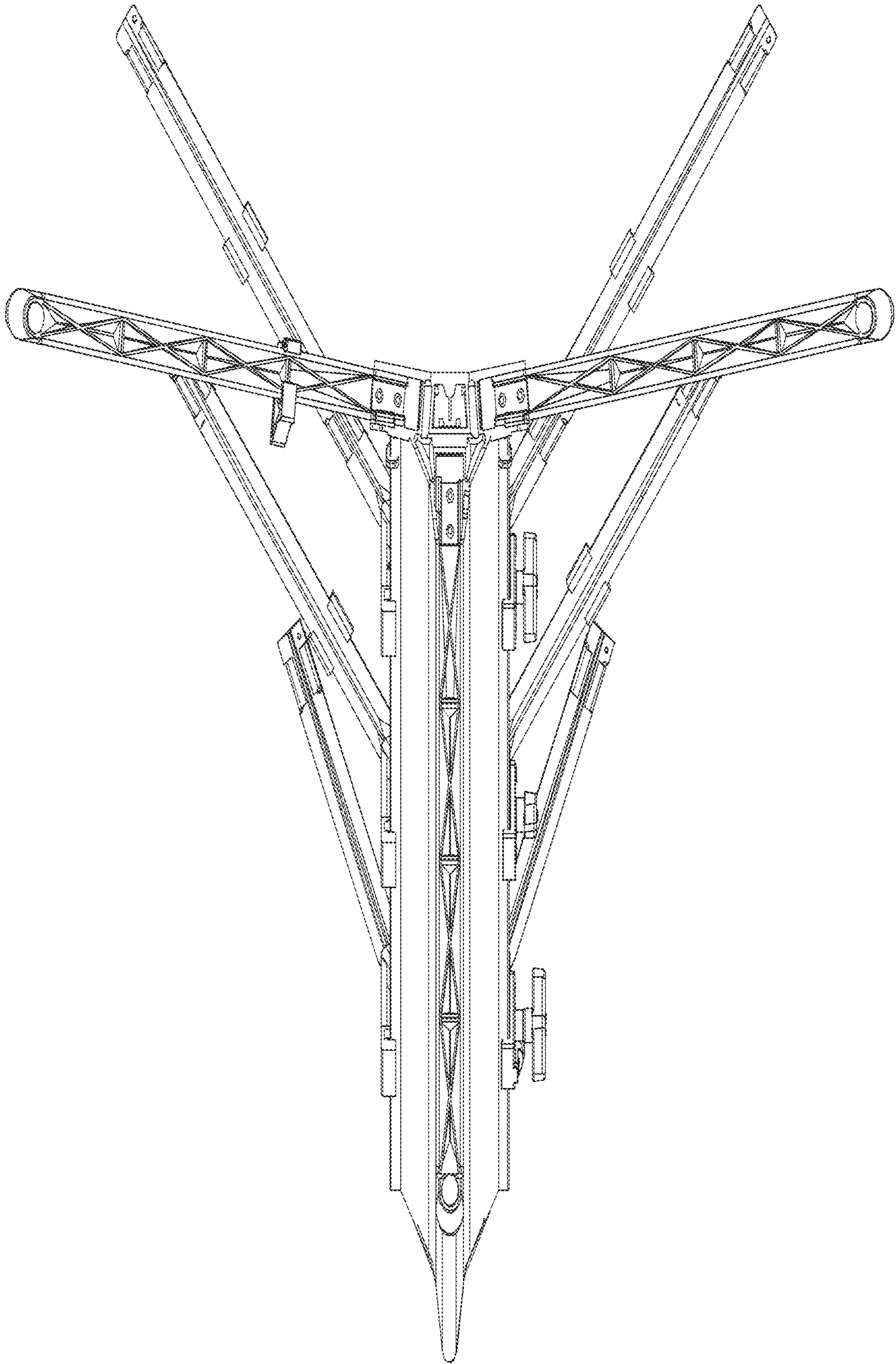


FIG. 7

