



US00D957113S

(12) **United States Design Patent**
Toth

(10) **Patent No.:** **US D957,113 S**

(45) **Date of Patent:** **** Jul. 12, 2022**

(54) **TOTE BAG WITH REMOVABLE ACCESSORY SLEEVE**

(71) Applicant: **Larry Toth**, Studio City, CA (US)

(72) Inventor: **Larry Toth**, Studio City, CA (US)

(**) Term: **15 Years**

(21) Appl. No.: **29/563,772**

(22) Filed: **May 7, 2016**

(51) **LOC (13) Cl.** **03-01**

(52) **U.S. Cl.**
USPC **D3/201**

(58) **Field of Classification Search**
USPC D3/201, 207, 208, 215, 226, 228, 229,
D3/230, 269, 273, 290, 299, 303, 304,
D3/316, 318; D9/702, 703, 705, 707,
D9/709, 710
CPC B65D 83/384; F41H 9/10
See application file for complete search history.

(56) **References Cited**

U.S. PATENT DOCUMENTS

- | | | | | | |
|-----------|-----|---------|-----------|-------|-----------------------|
| 4,463,789 | A * | 8/1984 | Leiserson | | A45C 11/38
190/110 |
| 5,813,445 | A * | 9/1998 | Christman | | A63F 3/06
150/106 |
| D491,363 | S * | 6/2004 | Renz | | D3/276 |
| D562,555 | S * | 2/2008 | Shapiro | | D3/303 |
| D583,554 | S * | 12/2008 | Stulman | | D3/232 |

- | | | | | | |
|--------------|------|---------|----------|-------|-----------------------|
| D717,040 | S * | 11/2014 | Swartzel | | D3/232 |
| D792,100 | S * | 7/2017 | Wood | | D3/307 |
| D796,341 | S * | 9/2017 | Earlier | | D9/703 |
| D814,784 | S * | 4/2018 | Earlier | | D3/201 |
| 2004/0020813 | A1 * | 2/2004 | Moeller | | A45C 11/00
206/425 |

* cited by examiner

Primary Examiner — Holly E Thurman

(57) **CLAIM**

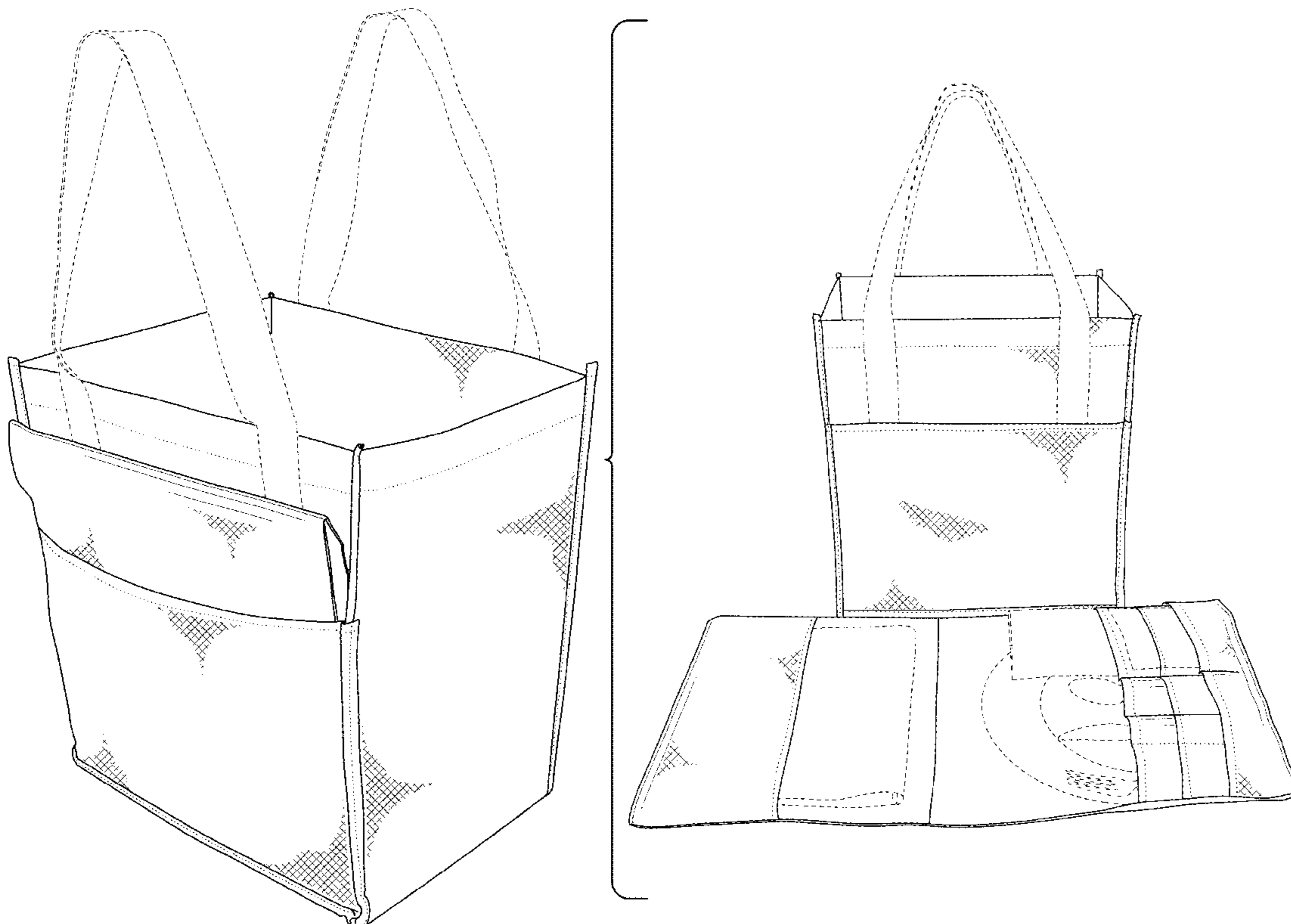
I claim the ornamental design for a tote bag with removable accessory sleeve, as shown and described.

DESCRIPTION

FIG. 1 is a from perspective view of the tote bag with removable accessory sleeve showing the new design; FIG. 2 is a front perspective view thereof, with the accessory sleeve in a partially removed condition of use; FIG. 3 is a front view of FIG. 1; FIG. 4 is a front view of FIG. 2; FIG. 5 is a side view thereof; FIG. 6 is a front perspective view, with the accessory sleeve in a fully removed condition of use; FIG. 7 is a front view of FIG. 6; FIG. 8 is a front perspective view of the accessory sleeve shown separately; and, FIG. 9 is a top view of FIG. 8.

The long-dashed broken lines depict environmental subject matter (straps, plates, silverware), and form no part of the claimed design. The short-dashed broken lines depict stitching, and form no part of the claimed design.

1 Claim, 9 Drawing Sheets



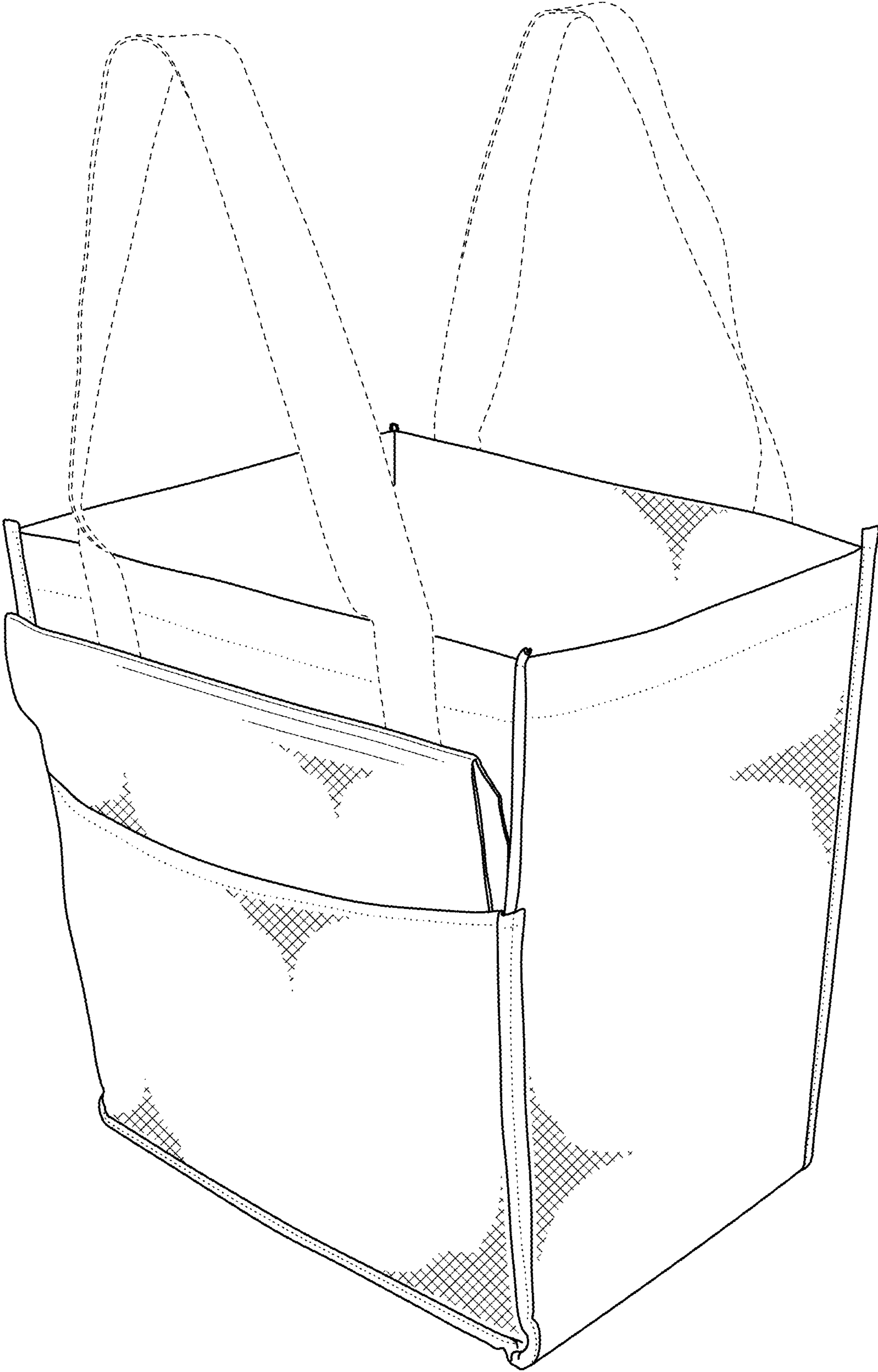


FIG. 1

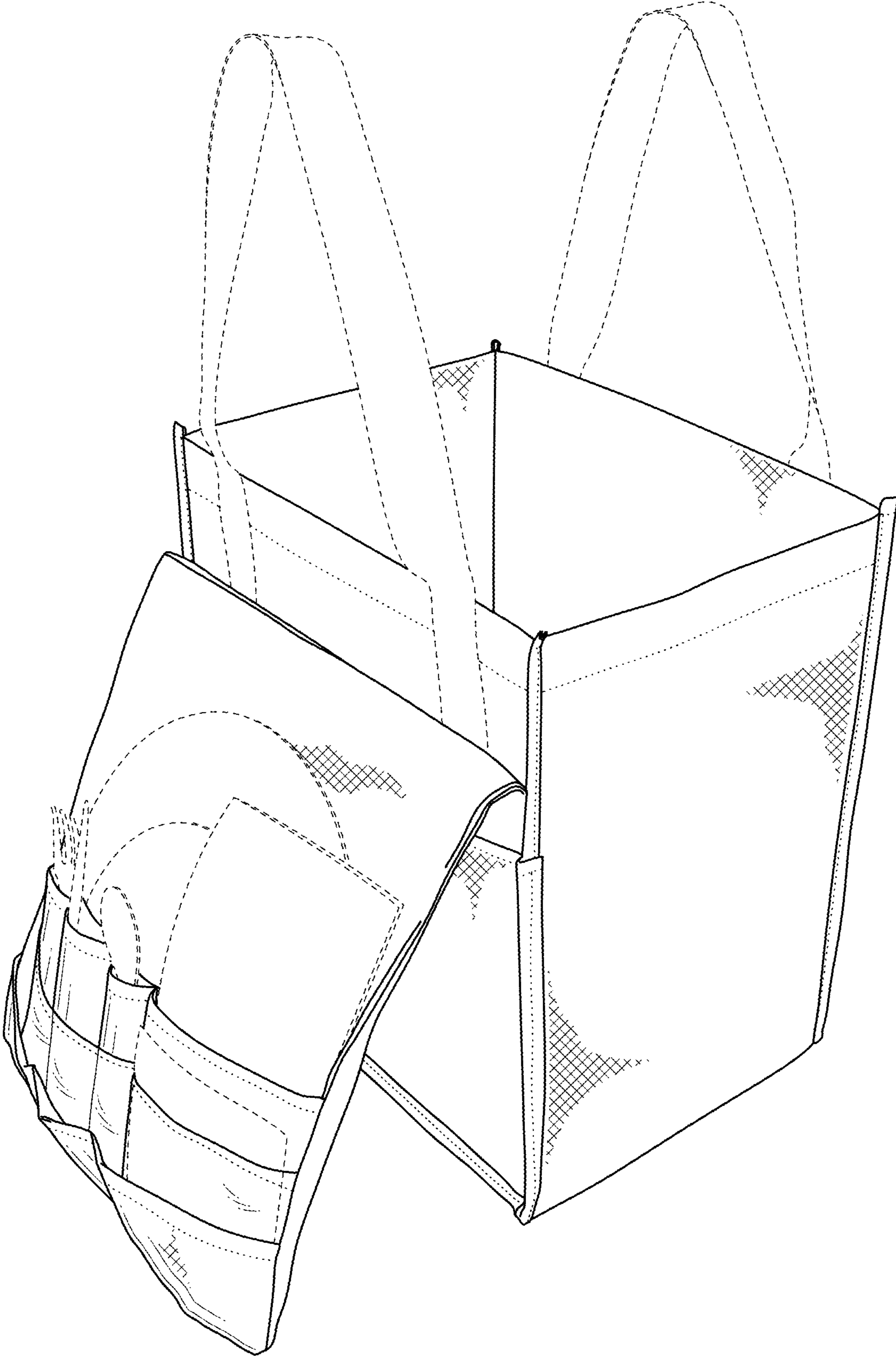


FIG. 2

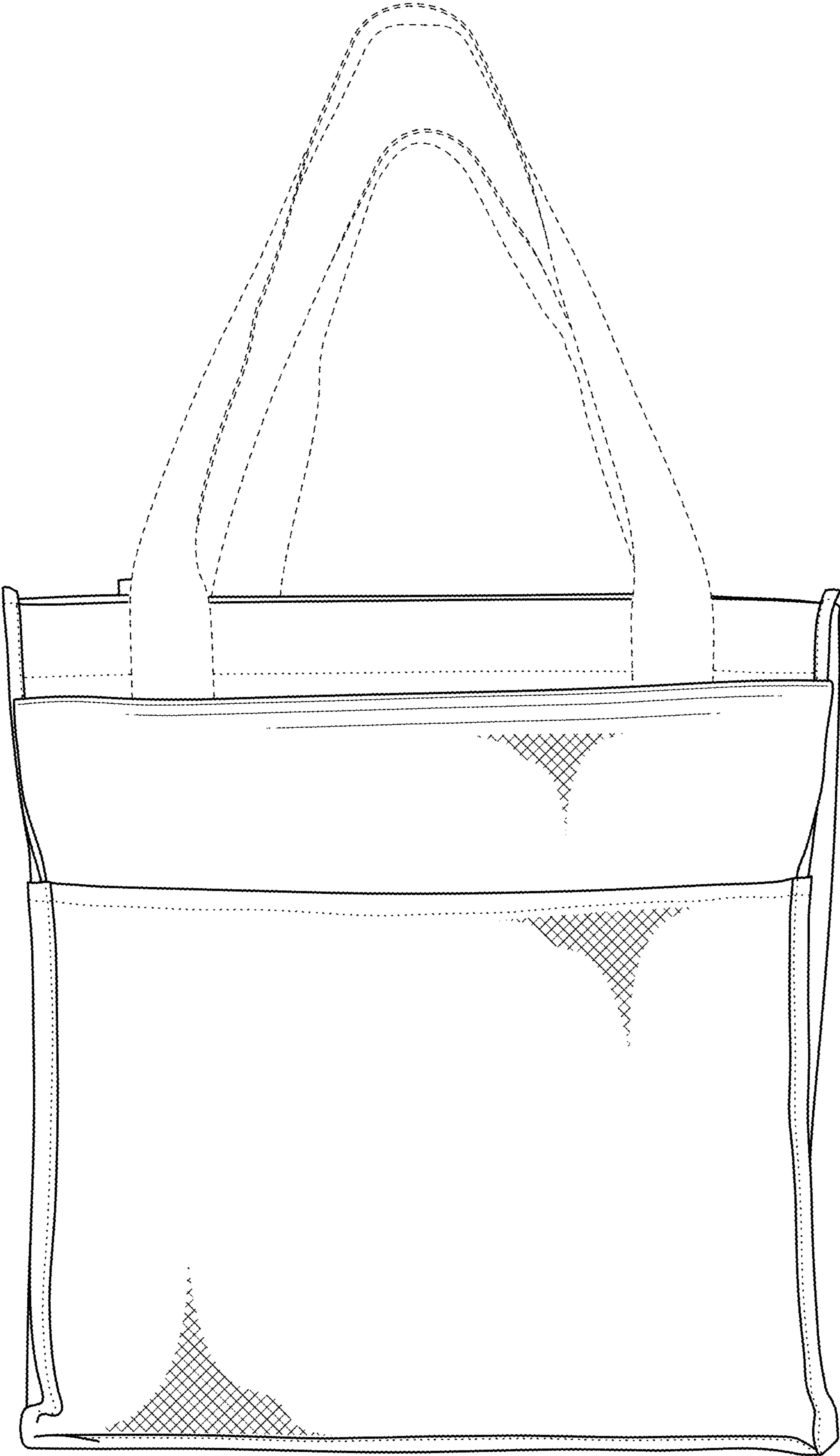


FIG. 3

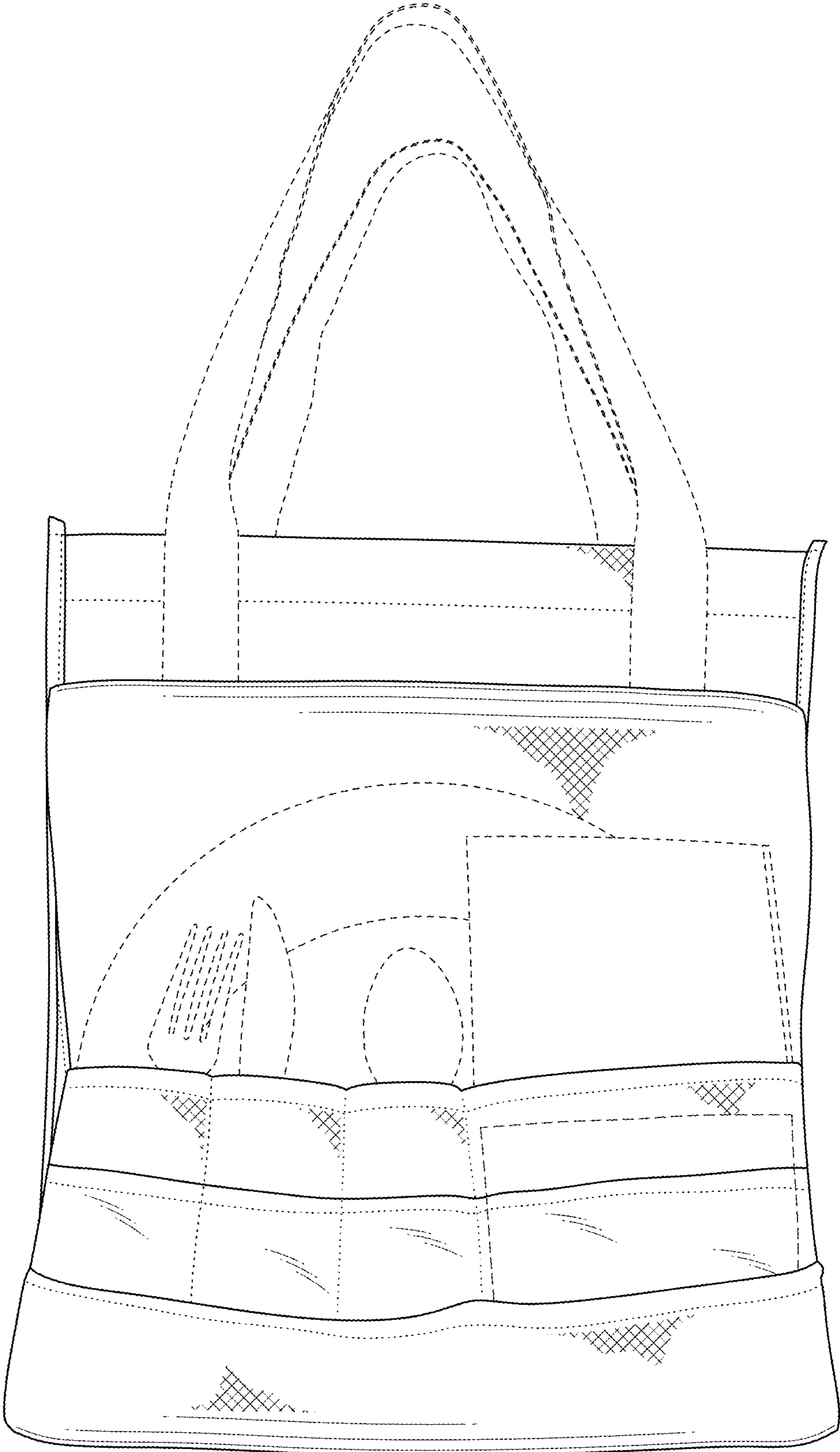


FIG. 4

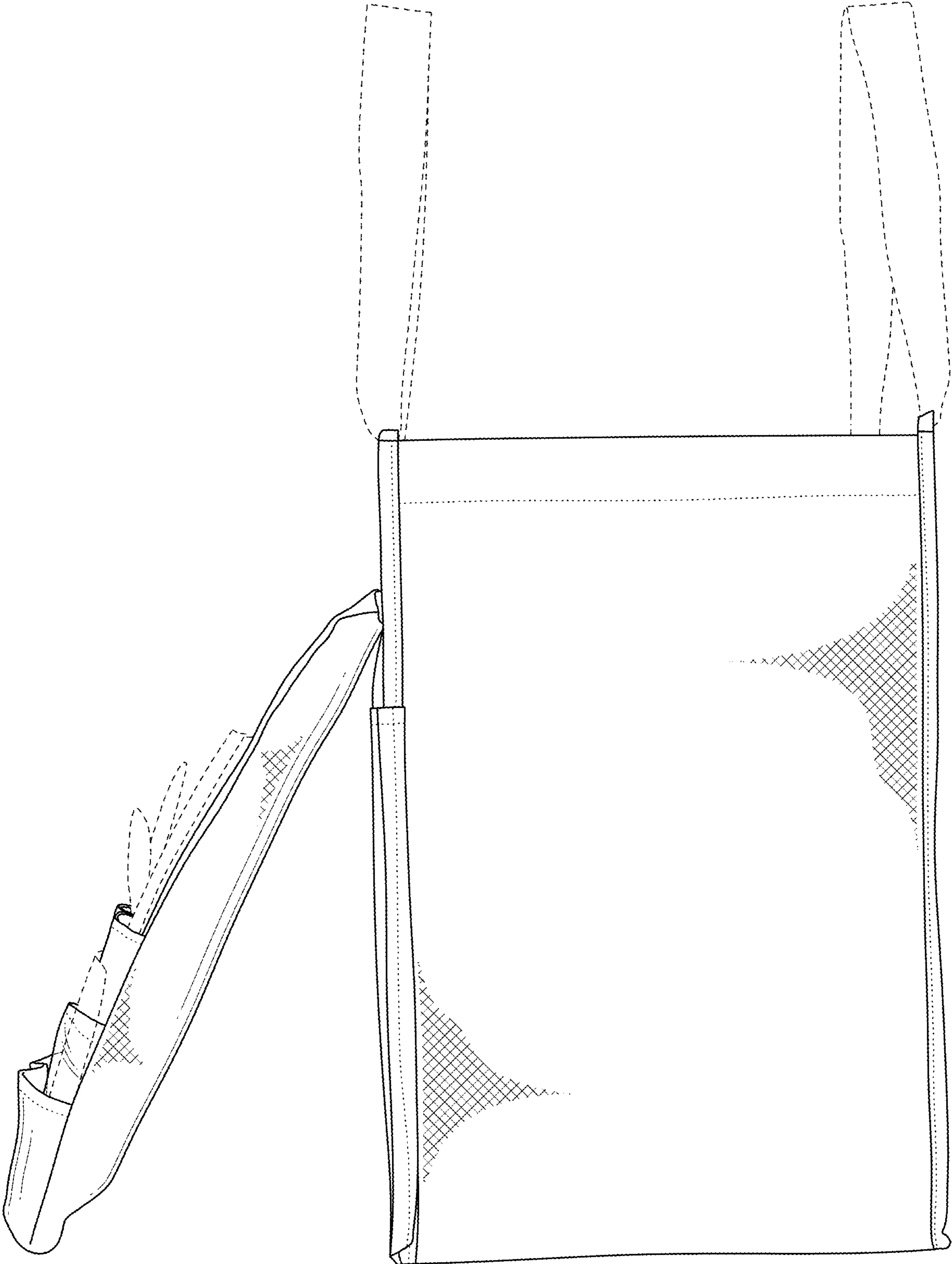


FIG. 5

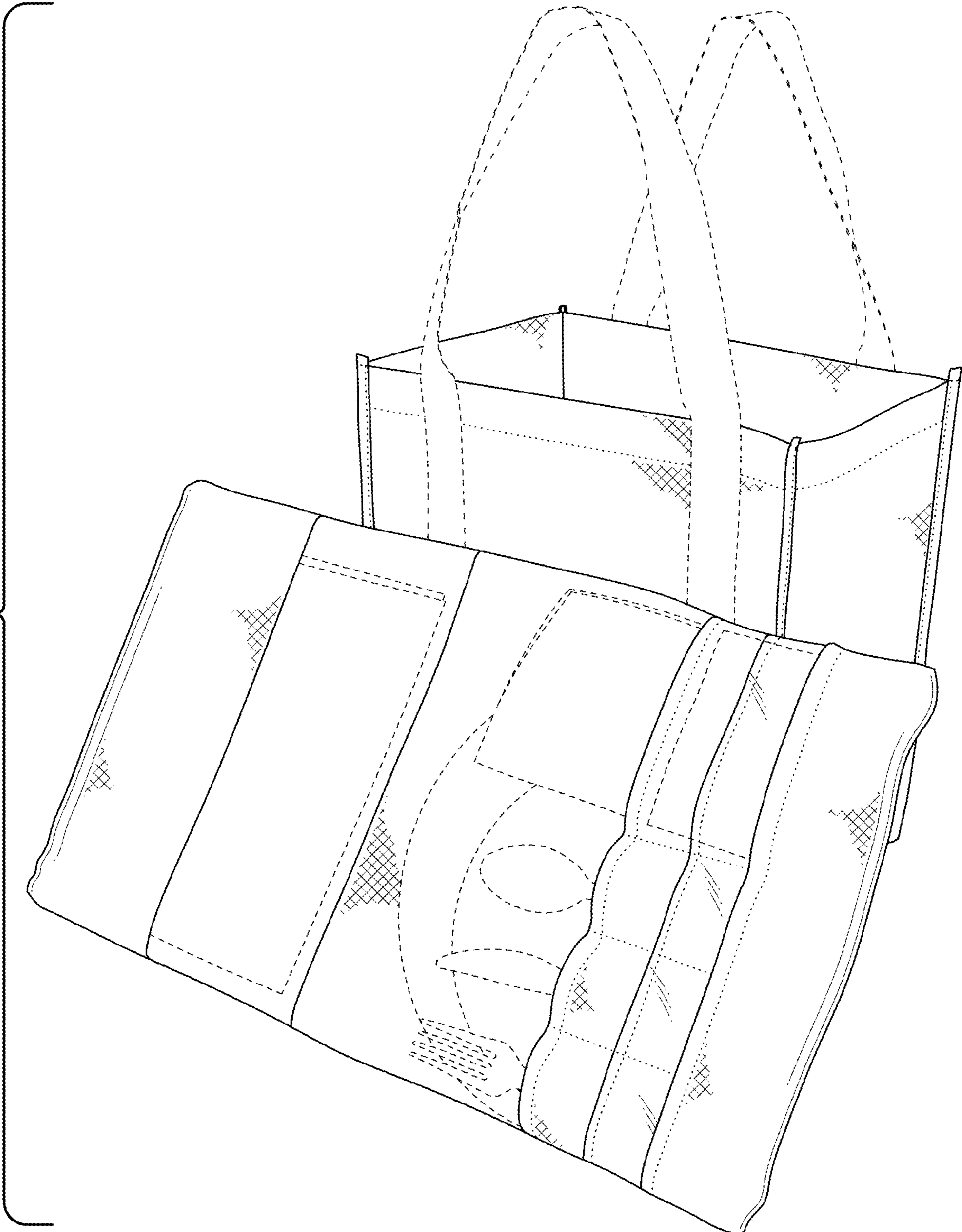


FIG. 6

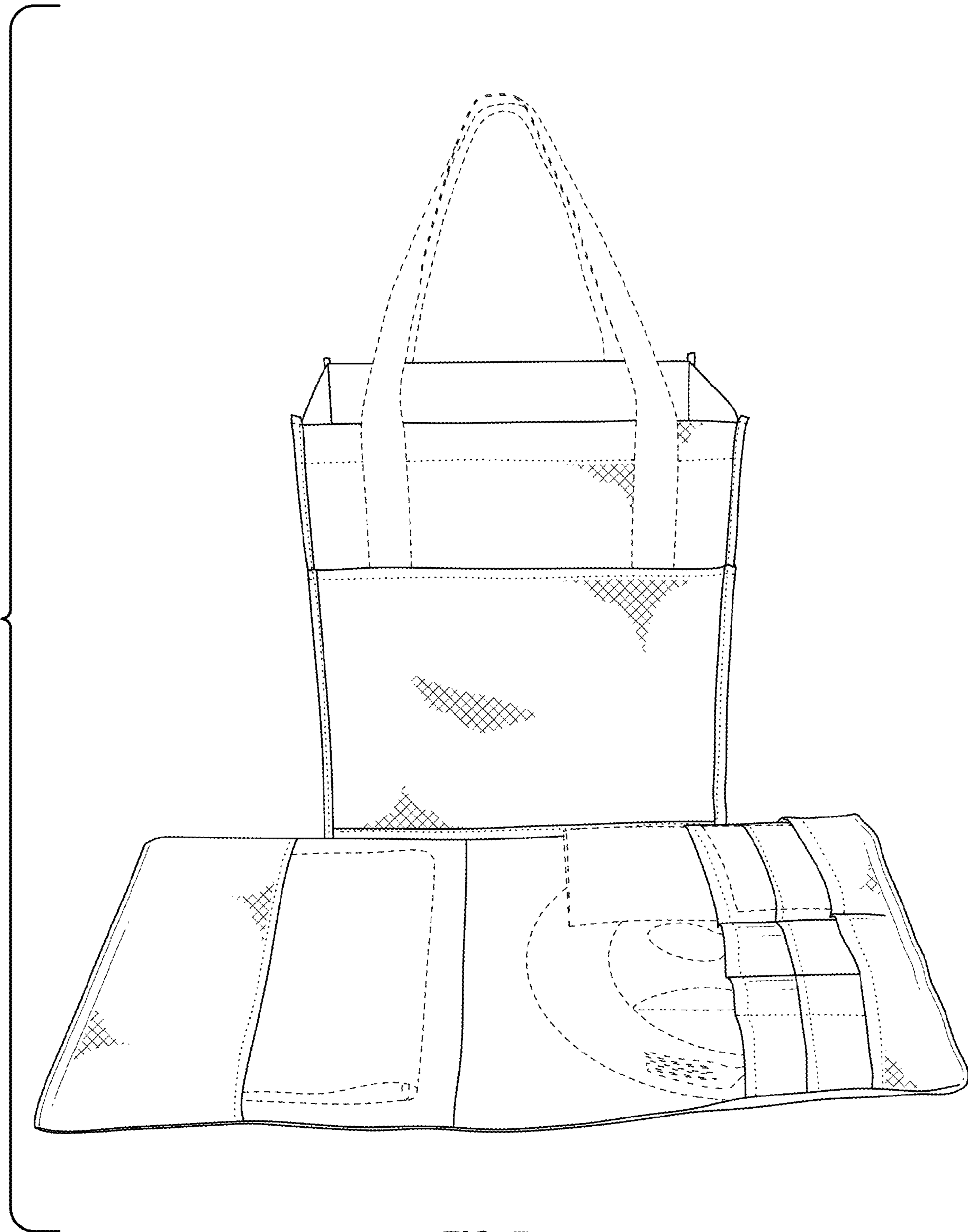


FIG. 7

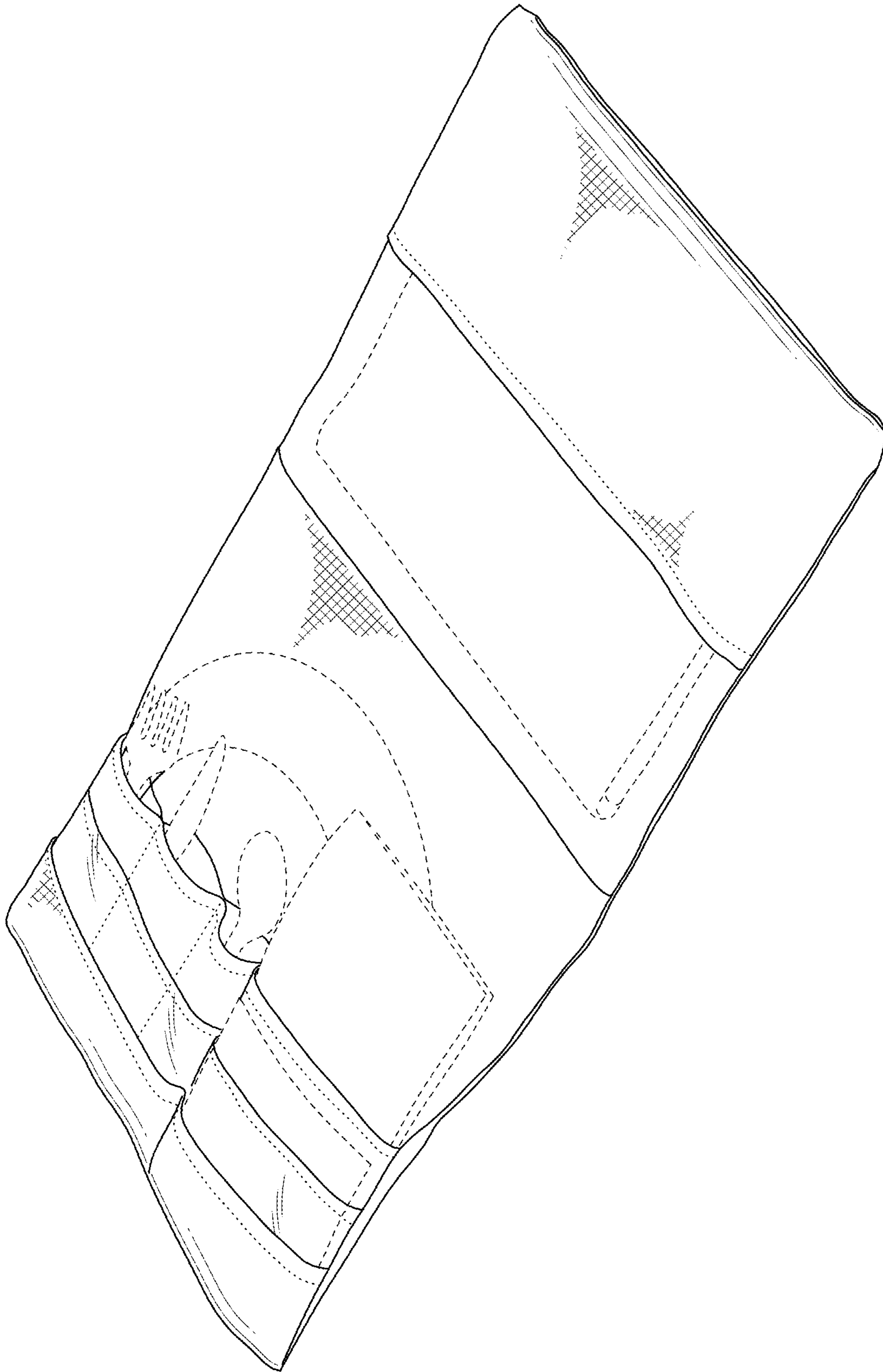


FIG. 8

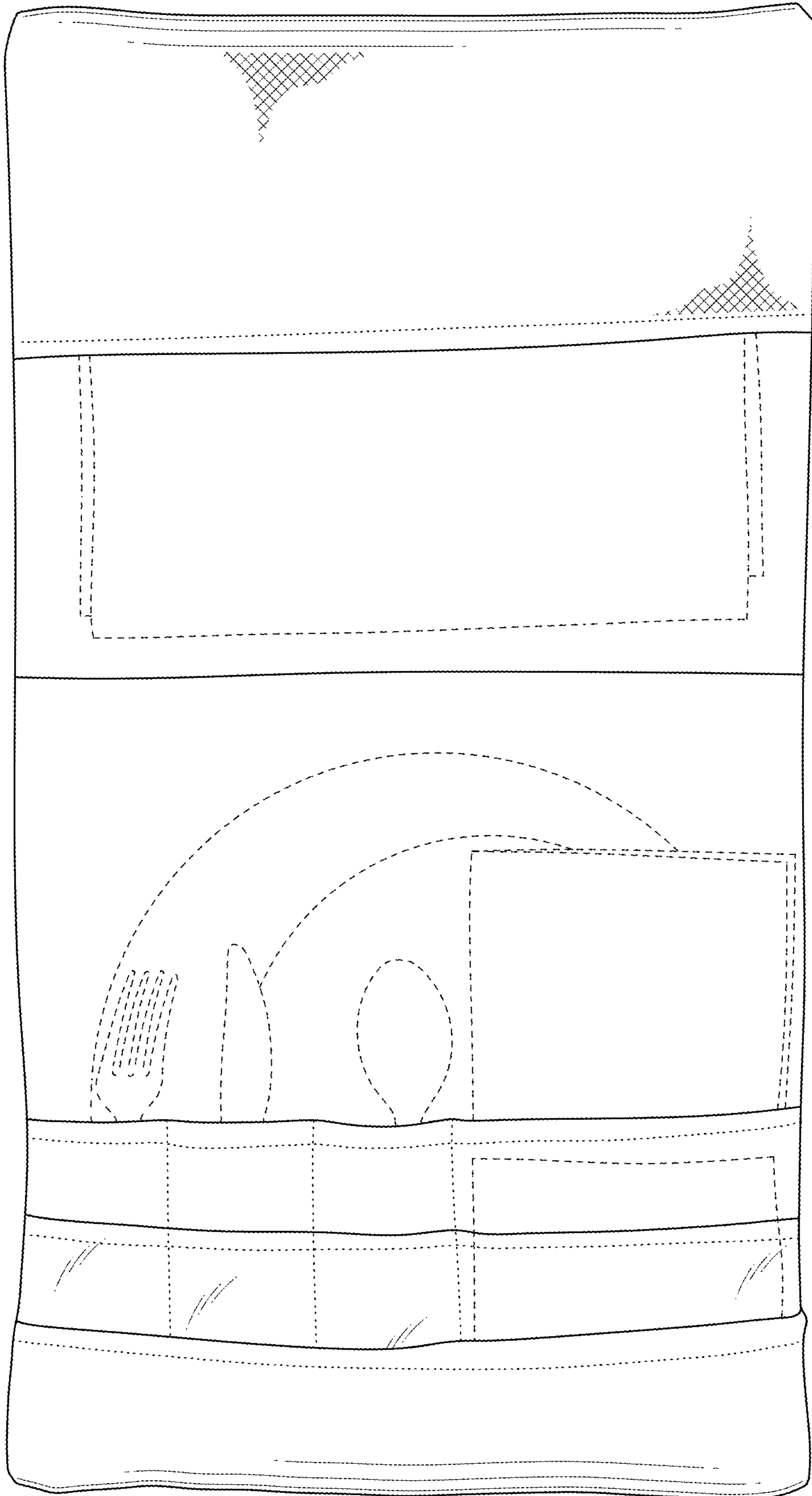


FIG. 9