



US00D957112S

(12) **United States Design Patent**
Rawlins

(10) **Patent No.:** **US D957,112 S**
(45) **Date of Patent:** **** Jul. 12, 2022**

(54) **SHOE ATTACHMENT**

(71) Applicant: **Daryl Rawlins**, Brooklyn, NY (US)

(72) Inventor: **Daryl Rawlins**, Brooklyn, NY (US)

(**) Term: **15 Years**

(21) Appl. No.: **29/745,227**

(22) Filed: **Aug. 4, 2020**

(51) **LOC (13) Cl.** **02-04**

(52) **U.S. Cl.**
USPC **D2/976; D2/946; D2/915**

(58) **Field of Classification Search**
USPC D2/896, 897, 915, 916-919, 925-931,
D2/941, 943, 946, 969, 971, 972,
D2/974-976, 978, 869, 871, 875, 895;
D30/157; D28/41
CPC A43C 15/04; A43C 13/00; A43C 13/02;
A43B 23/08; A43B 23/24; A43B 23/28;
A43B 23/30; A43B 1/0054; A43B
1/0081; A43B 1/08; A43B 1/14; A43B
3/166

See application file for complete search history.

(56) **References Cited**

U.S. PATENT DOCUMENTS

638,879	A *	12/1899	Packard	A43B 23/17 36/69
D52,584	S *	10/1918	Palombo	D2/915
2,461,977	A *	2/1949	Gilmour	A43B 3/0078 36/1
D232,984	S *	10/1974	Hurwitz	D2/869
3,953,958	A *	5/1976	Beaston	A43C 17/02 54/83.2
D323,734	S *	2/1992	Haines	D2/642
D355,527	S *	2/1995	Yoshikawa	D2/915
D362,928	S *	10/1995	Redden	36/131
D407,540	S *	4/1999	Dolinsky	D2/946

D422,779	S *	4/2000	Kusumoto	D2/915
D432,296	S *	10/2000	Adam	D2/976
D532,596	S *	11/2006	Choi	D2/976
D535,086	S *	1/2007	Pace	D2/904
D566,379	S *	4/2008	Whitted	D2/866
D596,390	S *	7/2009	Kennedy	D2/946
D601,791	S *	10/2009	Kennedy	D2/976
D794,921	S *	8/2017	Walters	D2/915
D812,364	S *	3/2018	Rawlins	
D821,065	S *	6/2018	Mkwezalamba	D2/869
D892,674	S *	8/2020	Bujayer	D11/184
D894,488	S *	8/2020	Pan	D28/41
2014/0259289	A1 *	9/2014	Lewis	A44C 15/006 2/209.11

* cited by examiner

Primary Examiner — Elizabeth J Oswecki

Assistant Examiner — Yelizaveta Y Masalimova

(74) *Attorney, Agent, or Firm* — Charney IP Law LLC;
Thomas M. Finetti

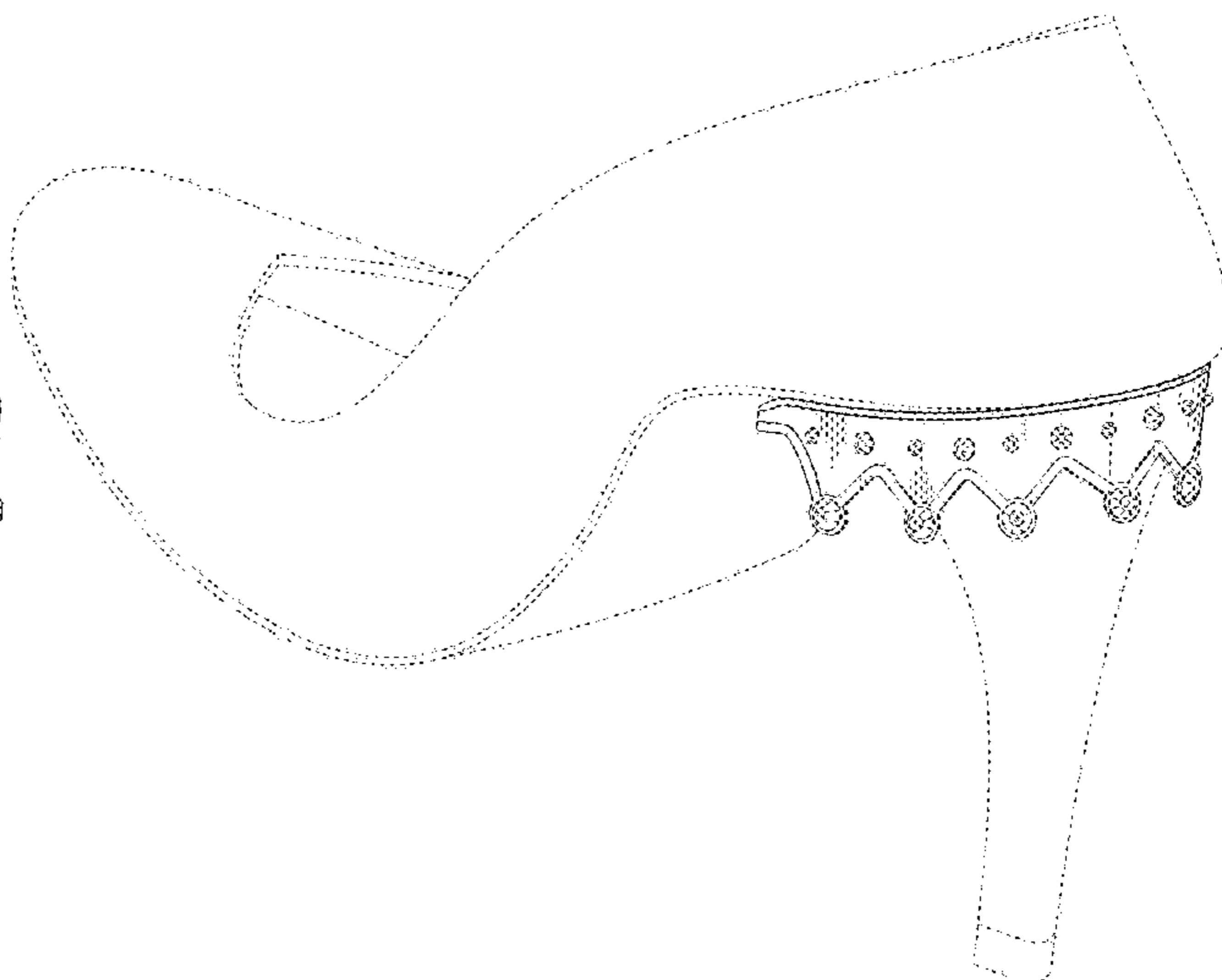
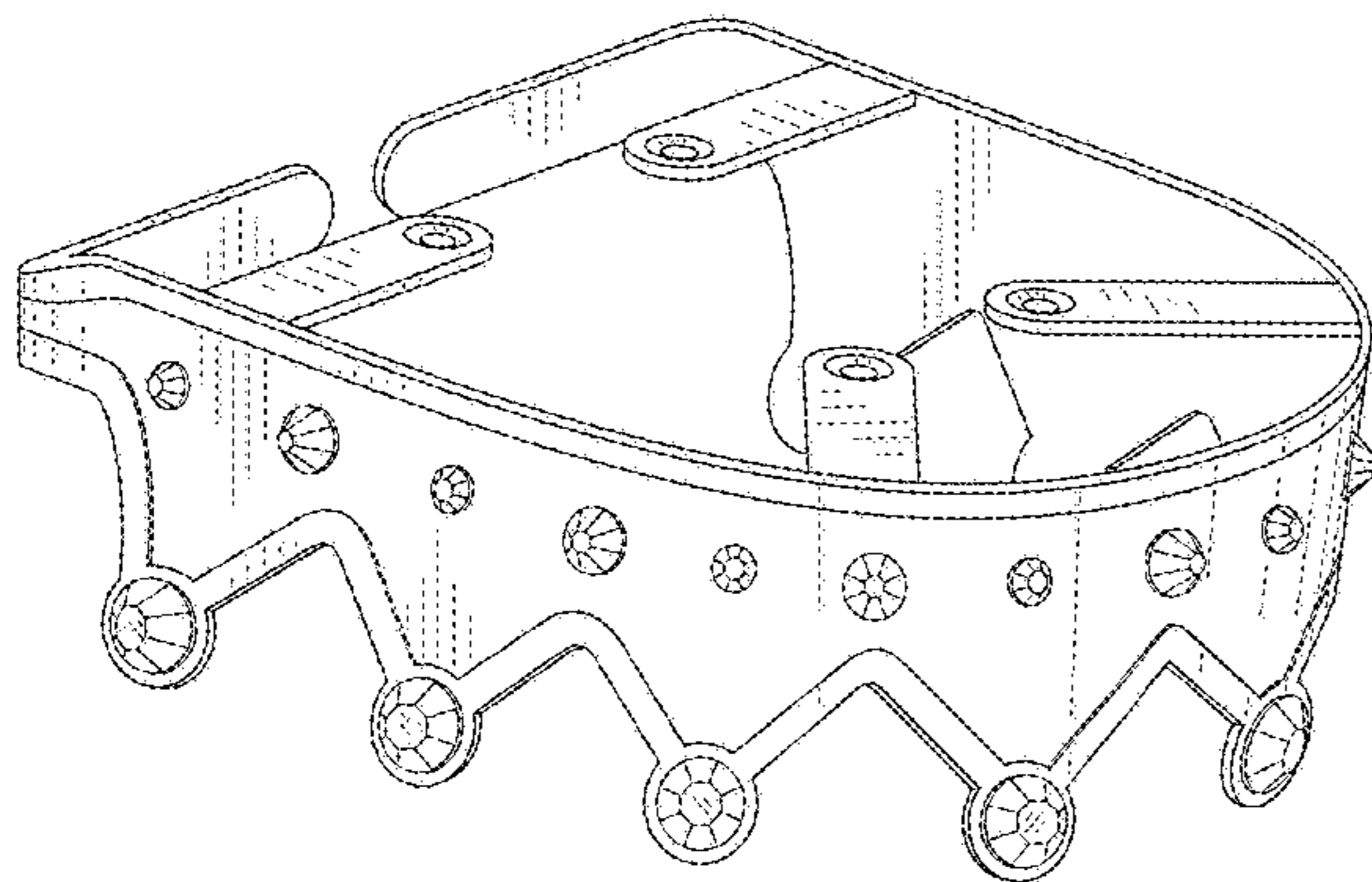
(57) **CLAIM**

I claim the ornamental design for a shoe attachment, as shown and described.

DESCRIPTION

FIG. 1 is a perspective view of a shoe attachment showing my new design;
FIG. 2 is a front view thereof;
FIG. 3 is a rear view thereof;
FIG. 4 is a first side view thereof;
FIG. 5 is a second side view thereof;
FIG. 6 is a top view thereof;
FIG. 7 is a bottom view thereof; and,
FIG. 8 is a perspective view thereof, shown in a condition of use with a shoe in broken lines.
The broken lines shown in FIG. 8 form no part of the claimed design.

1 Claim, 6 Drawing Sheets



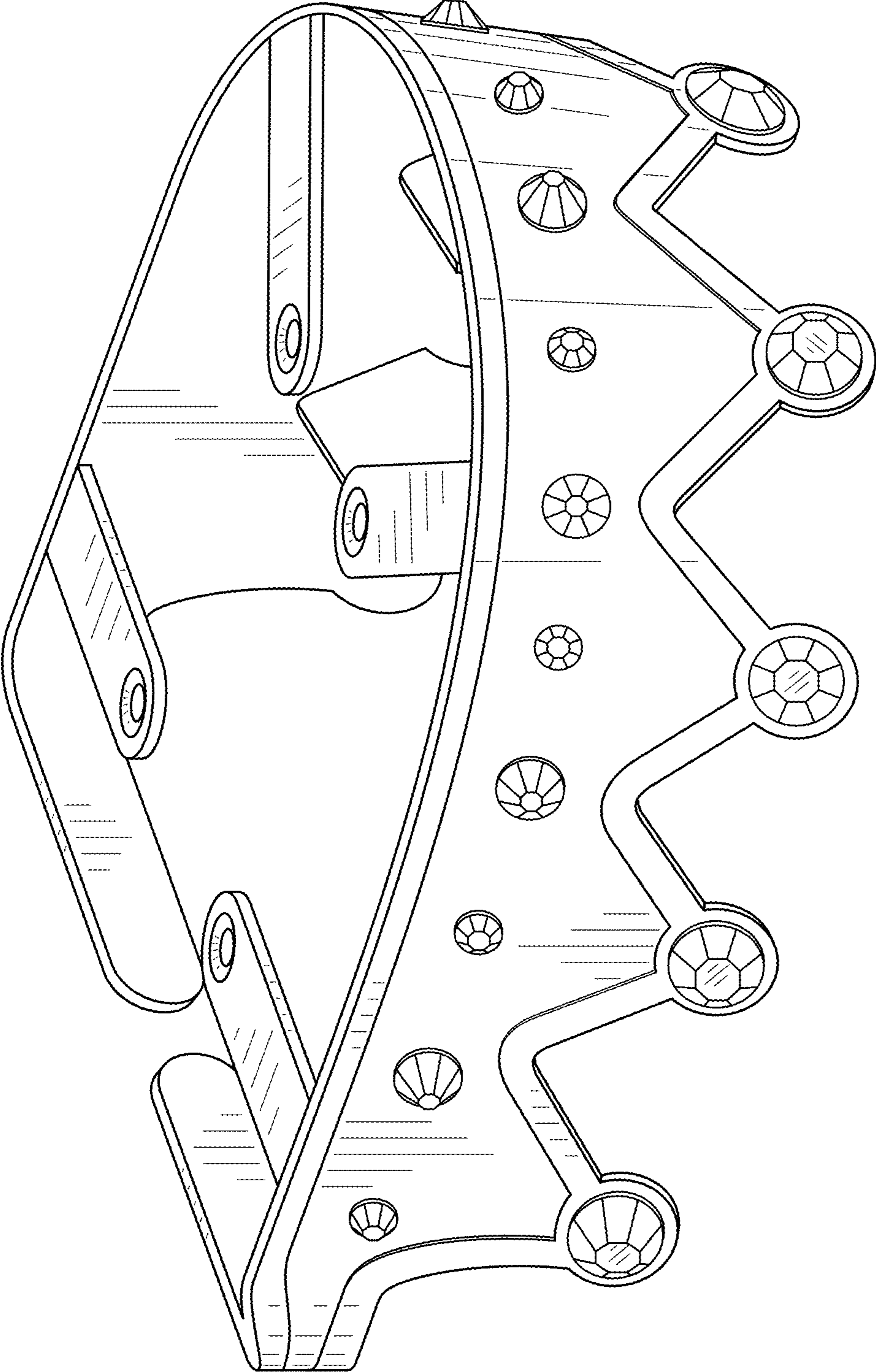


FIG. 1

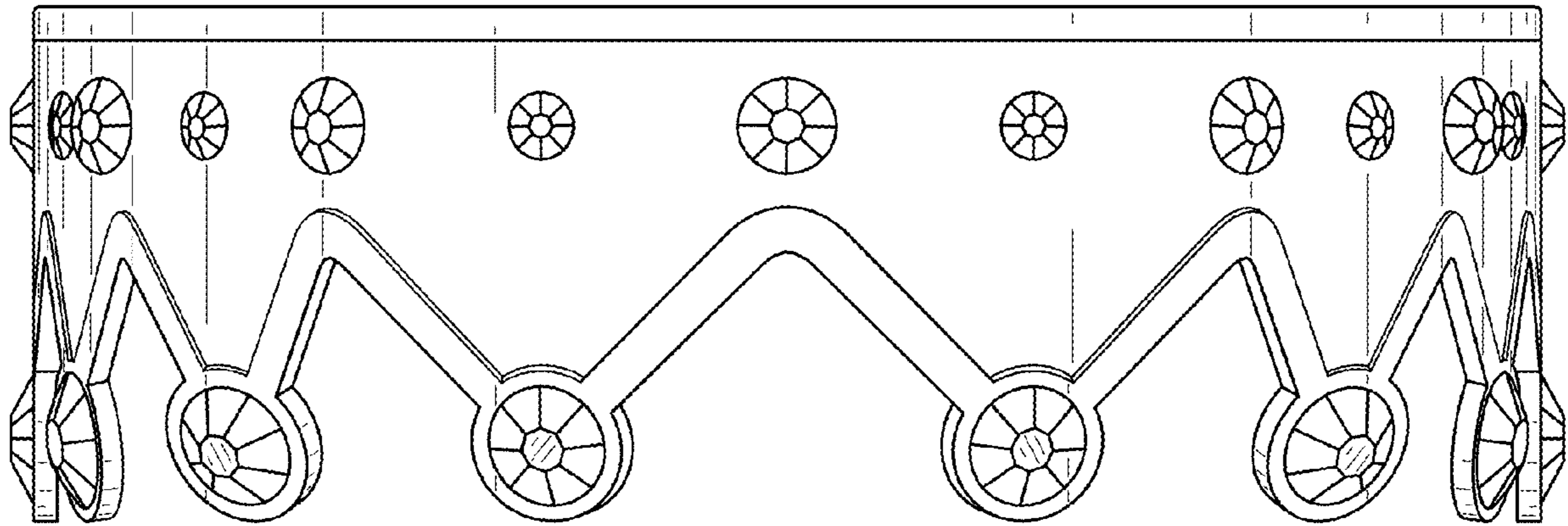


FIG. 2

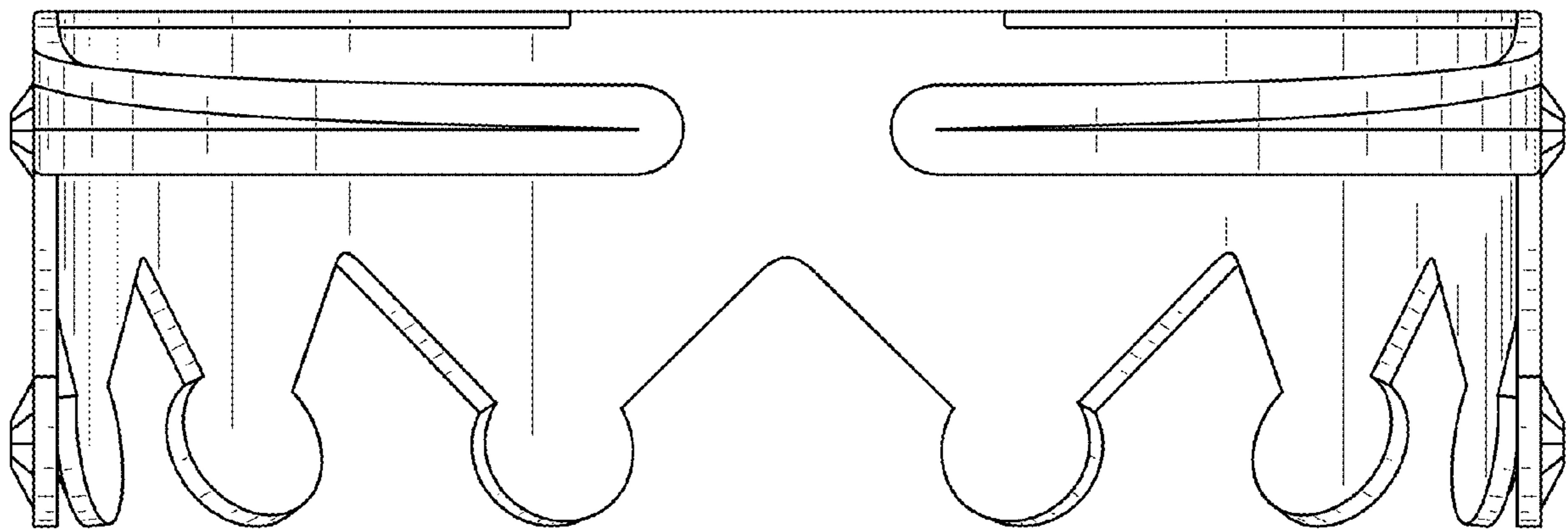


FIG. 3

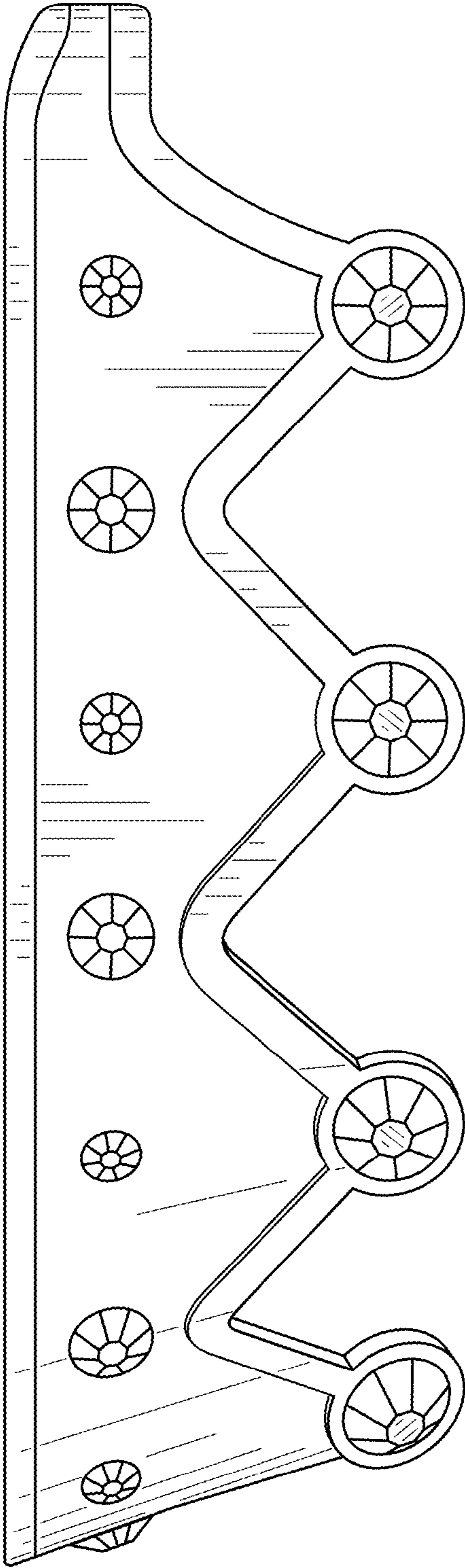


FIG. 4

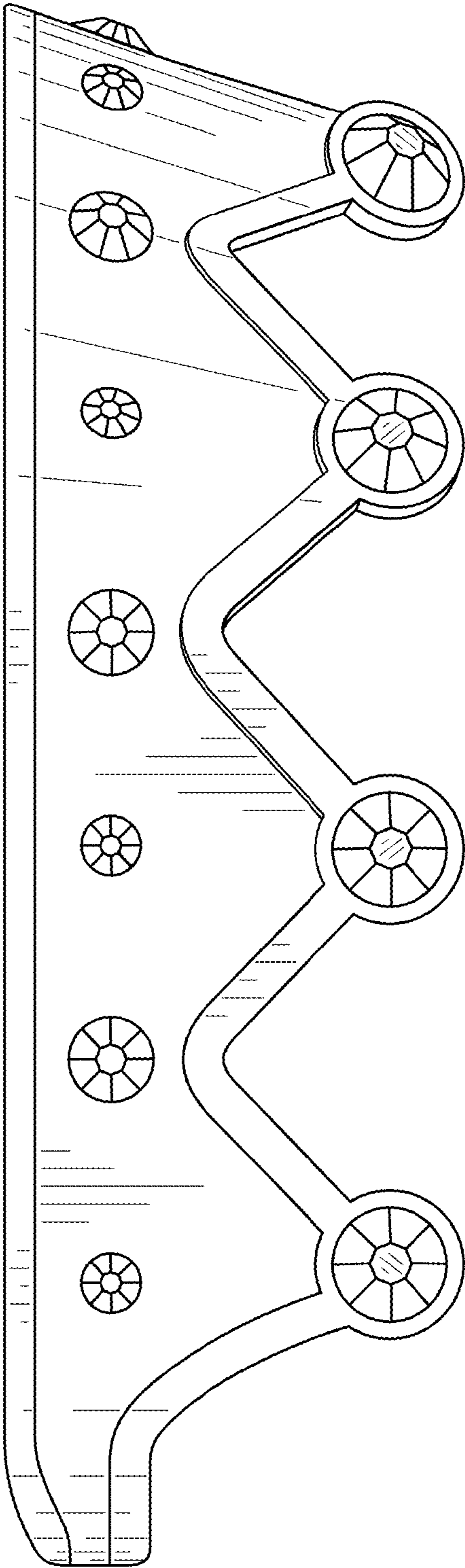


FIG. 5

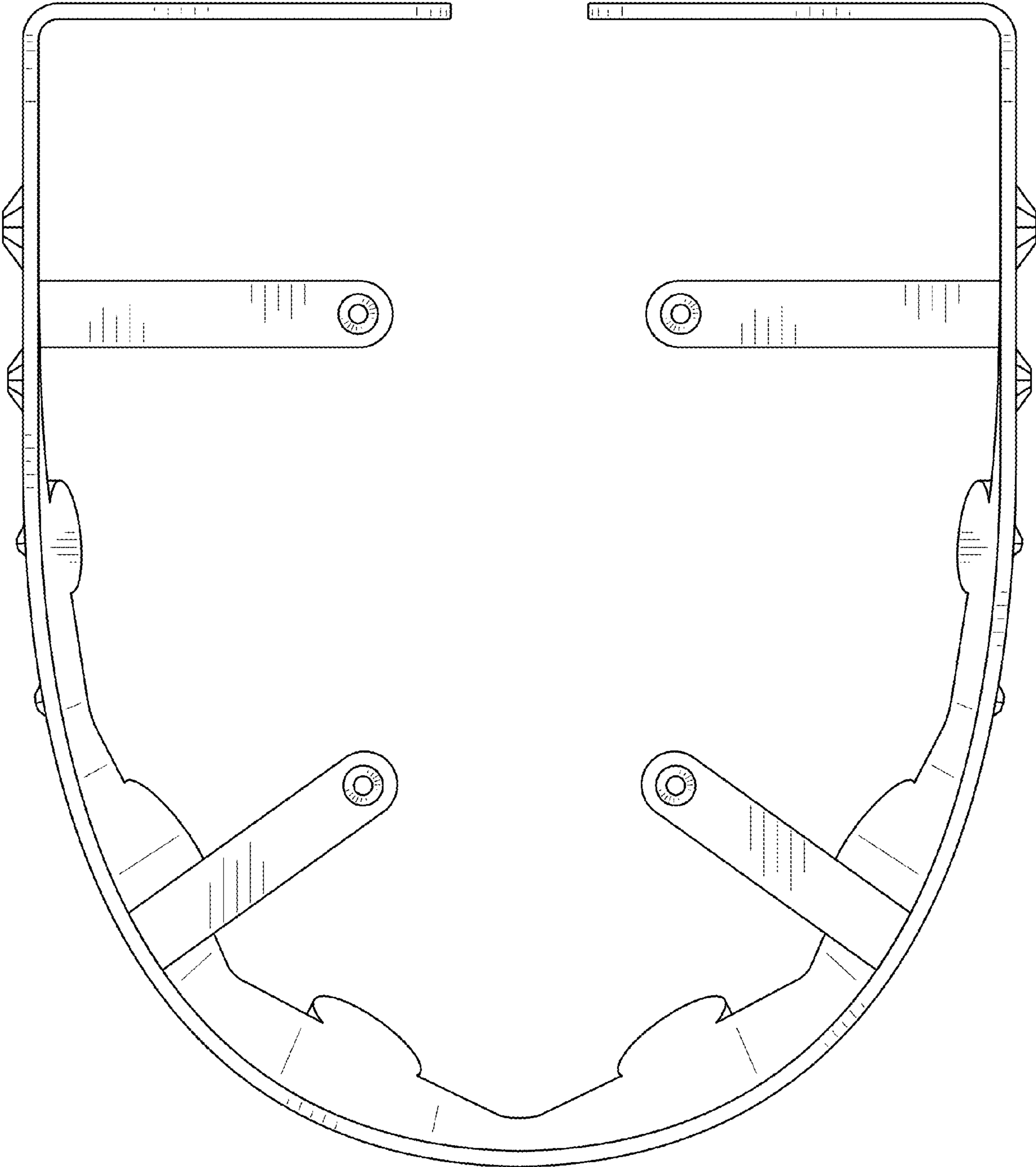


FIG. 6

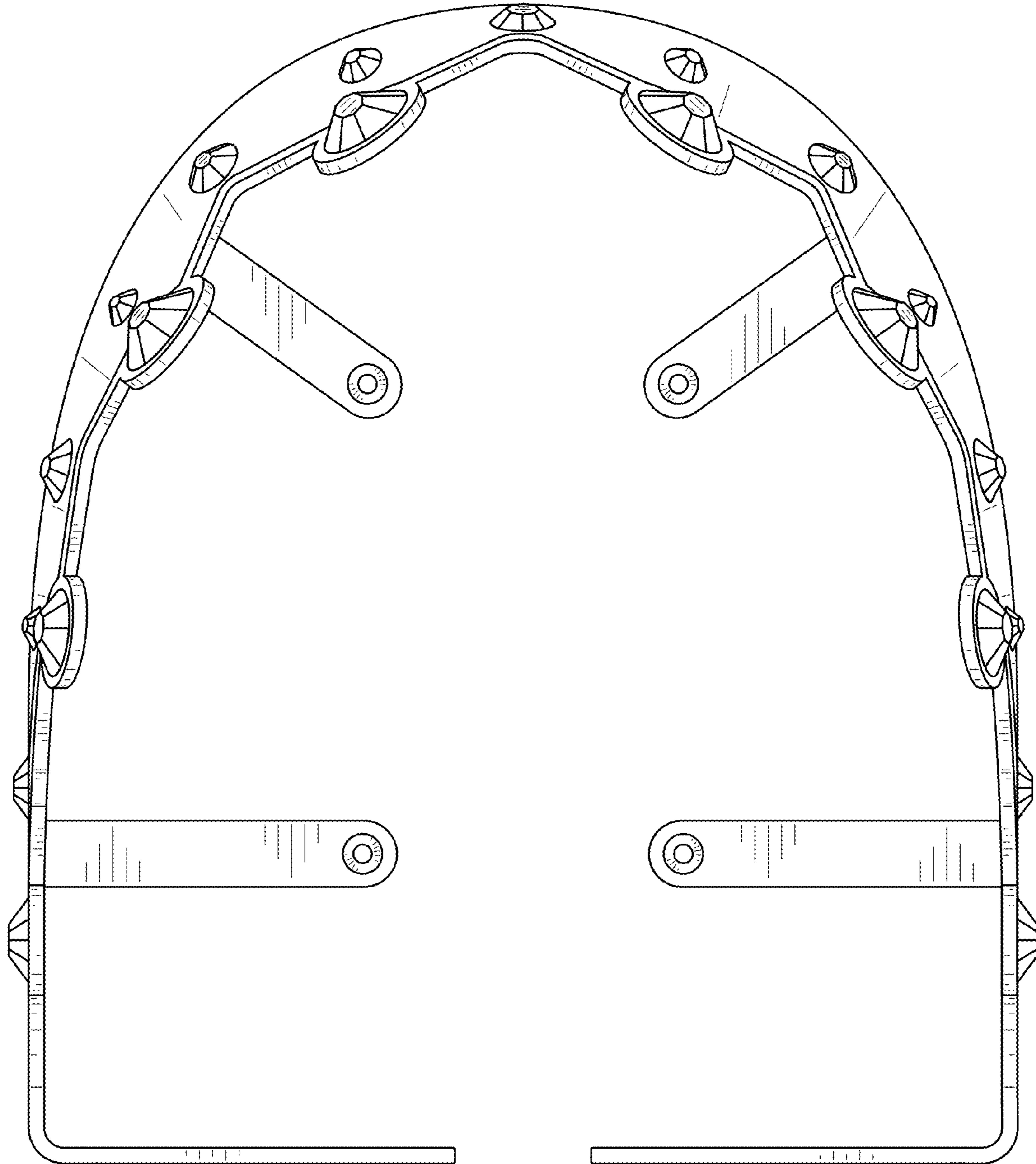


FIG. 7

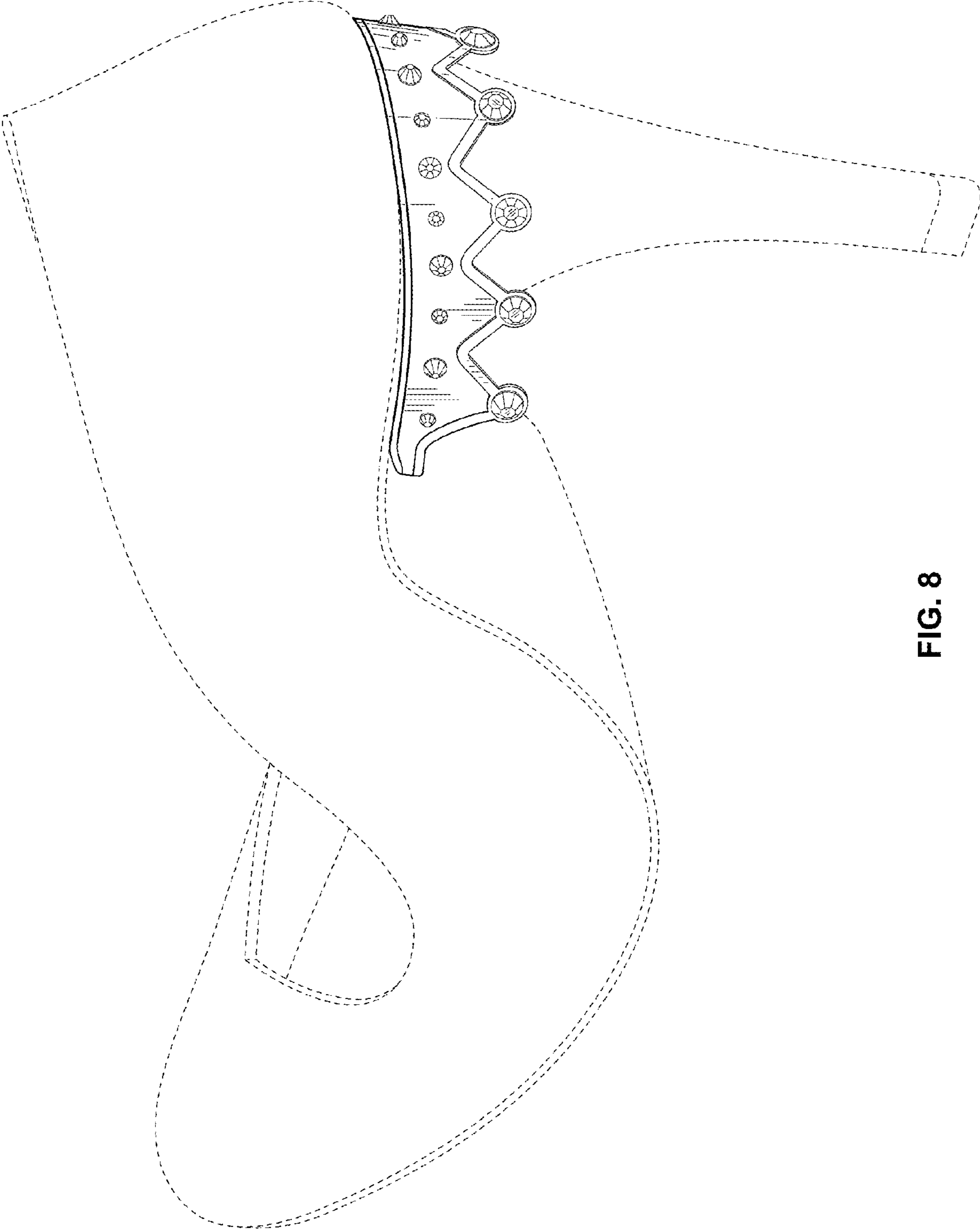


FIG. 8