



US00D957107S

(12) **United States Design Patent**
Dunham

(10) **Patent No.:** **US D957,107 S**
(45) **Date of Patent:** **** Jul. 12, 2022**

(54) **FOOTWEAR**

(71) Applicant: **Target Brands, Inc.**, Minneapolis, MN
(US)

(72) Inventor: **Austyn Dunham**, Minneapolis, MN
(US)

(73) Assignee: **Target Brands, Inc.**, Minneapolis, MN
(US)

(**) Term: **15 Years**

(21) Appl. No.: **29/754,531**

(22) Filed: **Oct. 12, 2020**

(51) **LOC (13) Cl.** **02-04**

(52) **U.S. Cl.**

USPC **D2/953**; D2/951; D2/960

(58) **Field of Classification Search**

USPC D2/902, 906, 908, 916, 918, 925,
D2/946-962, 977; 36/1, 1.5, 22 R, 24.5,
36/25 R, 28, 3 B, 32 R, 59 C, 67 A, 83,
36/103, 101-107, 112-116, 117.2, 117.3,
36/117.4, 124-136

CPC A43B 13/00; A43B 13/02; A43B 13/08;
A43B 13/10; A43B 13/023; A43B
13/026; A43B 13/12; A43B 13/14; A43B
13/141; A43B 13/143; A43B 13/16; A43B
13/18; A43B 13/181; A43B 13/187; A43B
13/189; A43B 13/223; A43B 13/20; A43B
13/22; A43B 13/28; A43B 13/30; A43B
13/32; A43B 13/34; A43B 13/36

See application file for complete search history.

(56) **References Cited**

U.S. PATENT DOCUMENTS

D123,898 S * 12/1940 Tousley D2/953
D247,998 S * 5/1978 Lobosco D2/953
D286,342 S * 10/1986 Stubblefield 36/32 R
D368,796 S * 4/1996 Fabio D2/951

D382,692 S * 8/1997 Carlson D2/960
5,775,005 A * 7/1998 McClelland A43B 13/184
36/31
D408,972 S * 5/1999 Greenberg D2/951
(Continued)

FOREIGN PATENT DOCUMENTS

CN 300764928 * 4/2008
CN 304134158 * 5/2017
(Continued)

OTHER PUBLICATIONS

Journee Collection, Womens North Snow Boot, (Aug. 2, 2018),
Amazon.com, [site visited: Jan. 3, 2022], Available from URL:
<https://www.amazon.com/Journee-Collection-Womens-North-Snow/dp/B07G4FFS36?th=1> (Year: 2018).*

(Continued)

Primary Examiner — T Chase Nelson
Assistant Examiner — Jamillah Khalil Abdullah
(74) *Attorney, Agent, or Firm* — Merchant & Gould P.C.

(57) **CLAIM**

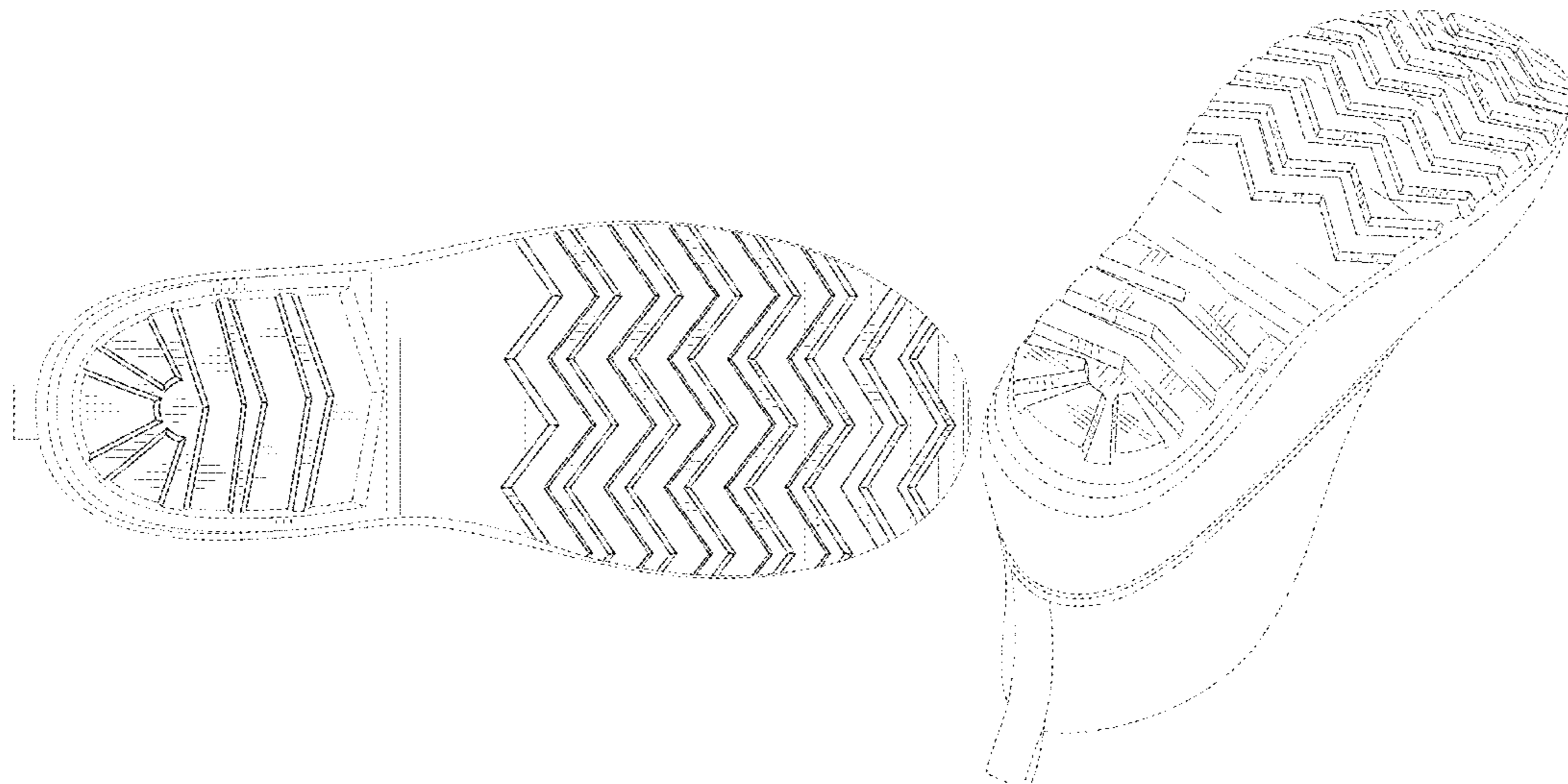
The ornamental design for a footwear, as shown and described.

DESCRIPTION

FIG. 1 is a front, top and right side perspective view of an embodiment of a footwear according to the new design; FIG. 2 is a front side elevation view thereof; FIG. 3 is a back side elevation view thereof; FIG. 4 is a right side elevation view thereof; FIG. 5 is a left side elevation view thereof; FIG. 6 is a top plan view thereof; FIG. 7 is a bottom plan view thereof; and, FIG. 8 is a back, bottom, and left side perspective view thereof.

The broken lines in the drawings show portions that form no part of the claimed design.

1 Claim, 8 Drawing Sheets



(56)

References Cited

U.S. PATENT DOCUMENTS

D496,776 S * 10/2004 Wu D2/960
 D499,233 S 12/2004 Sedlbauer
 D516,285 S 3/2006 Sedlbauer
 D517,791 S 3/2006 Sedlbauer
 D517,792 S 3/2006 Sedlbauer
 D524,019 S 7/2006 Matis et al.
 D539,024 S 3/2007 Belley et al.
 D547,540 S 7/2007 Maderspach
 D556,438 S 12/2007 Maderspach
 D575,951 S 9/2008 St-Louis
 D582,651 S 12/2008 Andersen et al.
 D594,638 S * 6/2009 Butler A43B 13/122
 D2/960
 D599,539 S 9/2009 St-Louis
 D617,541 S * 6/2010 Petrie D2/954
 D632,882 S 2/2011 O'Rorke
 D648,929 S 11/2011 Van Zyll De Jong et al.
 D660,570 S 5/2012 Joseph
 D662,304 S 6/2012 Spring
 D664,345 S 7/2012 Joseph
 D677,871 S 3/2013 Portzline
 D677,873 S 3/2013 Portzline
 D678,666 S 3/2013 Portzline
 D699,932 S 2/2014 Lubart
 D701,024 S 3/2014 Youngs et al.
 D701,372 S 3/2014 Portzline
 D701,377 S 3/2014 Spring
 D701,683 S 4/2014 Neely
 D728,911 S * 5/2015 Spring D2/951
 D740,534 S 10/2015 Spring
 D754,424 S * 4/2016 Spring D2/960
 D754,425 S 4/2016 Deas
 D779,804 S * 2/2017 MacIntyre D2/951
 D790,821 S * 7/2017 Beers D2/951
 D793,050 S * 8/2017 Li D2/951

D795,541 S 8/2017 Henrichot et al.
 9,930,929 B2 * 4/2018 Cooper A43B 13/122
 D819,945 S * 6/2018 Escobar D2/947
 D831,939 S * 10/2018 Goldberg D2/951
 10,258,104 B2 * 4/2019 Kraft A43B 13/122
 D851,376 S * 6/2019 de Montgolfier D2/951
 D866,934 S 11/2019 Zeng
 D874,808 S 2/2020 Prochmann
 D899,739 S * 10/2020 Goldberg D2/951
 10,856,612 B2 * 12/2020 Heard A43B 13/187
 D910,292 S * 2/2021 Britton D2/947
 D919,266 S * 5/2021 Cui D2/947
 D934,547 S * 11/2021 Dunham D2/960
 D948,177 S * 4/2022 Mazza D2/908
 D948,186 S * 4/2022 Gibson D2/951
 2019/0365028 A1 * 12/2019 Fakhouri A43B 13/04

FOREIGN PATENT DOCUMENTS

CN 306969084 * 11/2021
 CN 306996081 * 12/2021
 GB 9007955364-0043 * 5/2020
 KR 301114084.0000 * 6/2021
 RU 00050411 * 6/2002

OTHER PUBLICATIONS

Combat Boots, Ripple Sole 13W, (Dec. 20, 2021), eBay.com, [site visited: Jan. 3, 2022], Available from URL: <https://www.ebay.com/itm/183925054354> (Year: 2021).
 Universal Thread, Women's Tiffy Waterproof Duck Boots, (2021), Target.com, [site visited: Feb. 4, 2022], Available from URL: <https://www.target.com/p/women-s-tiffy-waterproof-duck-boots-universal-thread/-/A-82390220?preselect=82258105#Ink=sametab> (Year: 2021).*

* cited by examiner

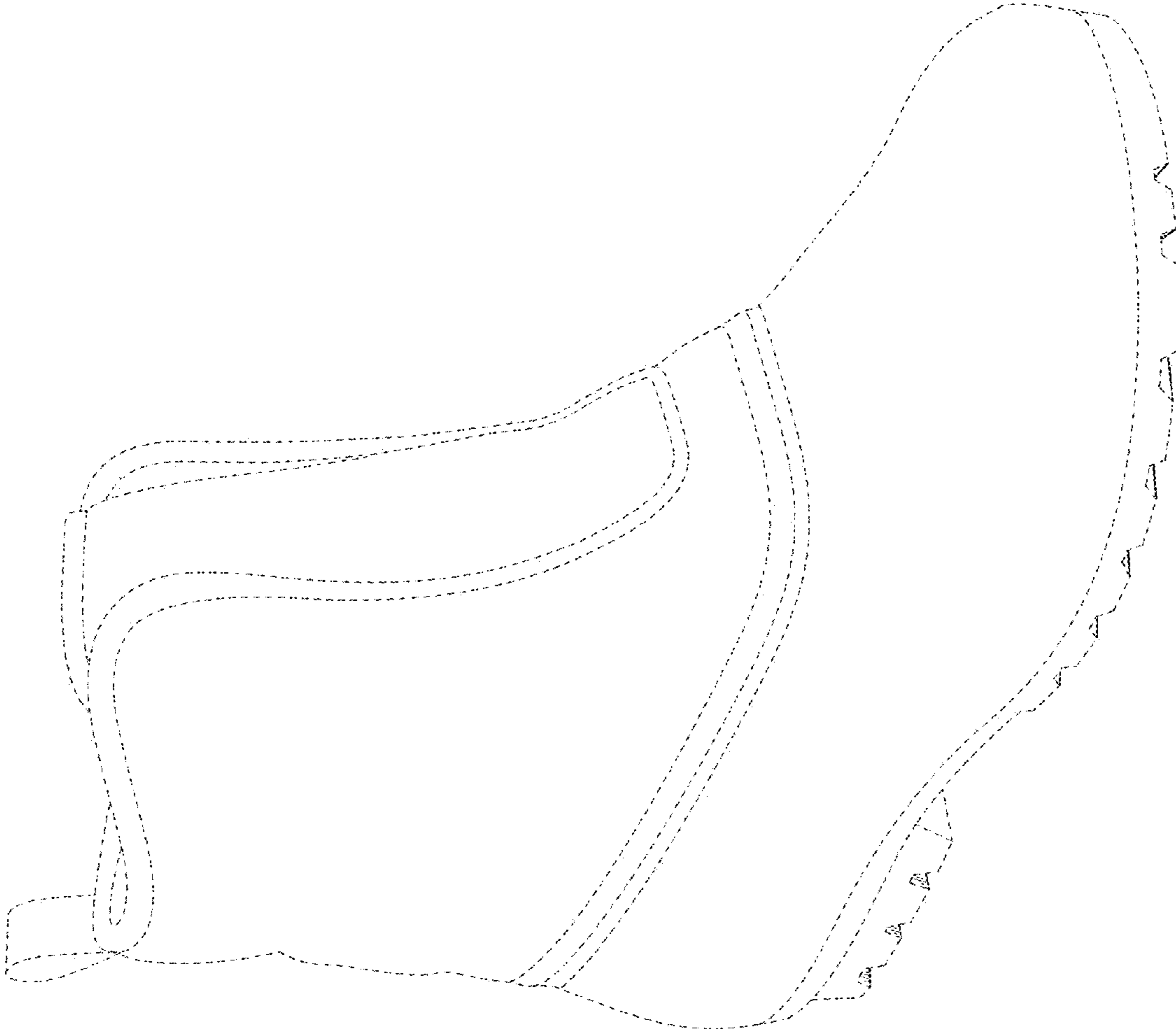


FIG. 1

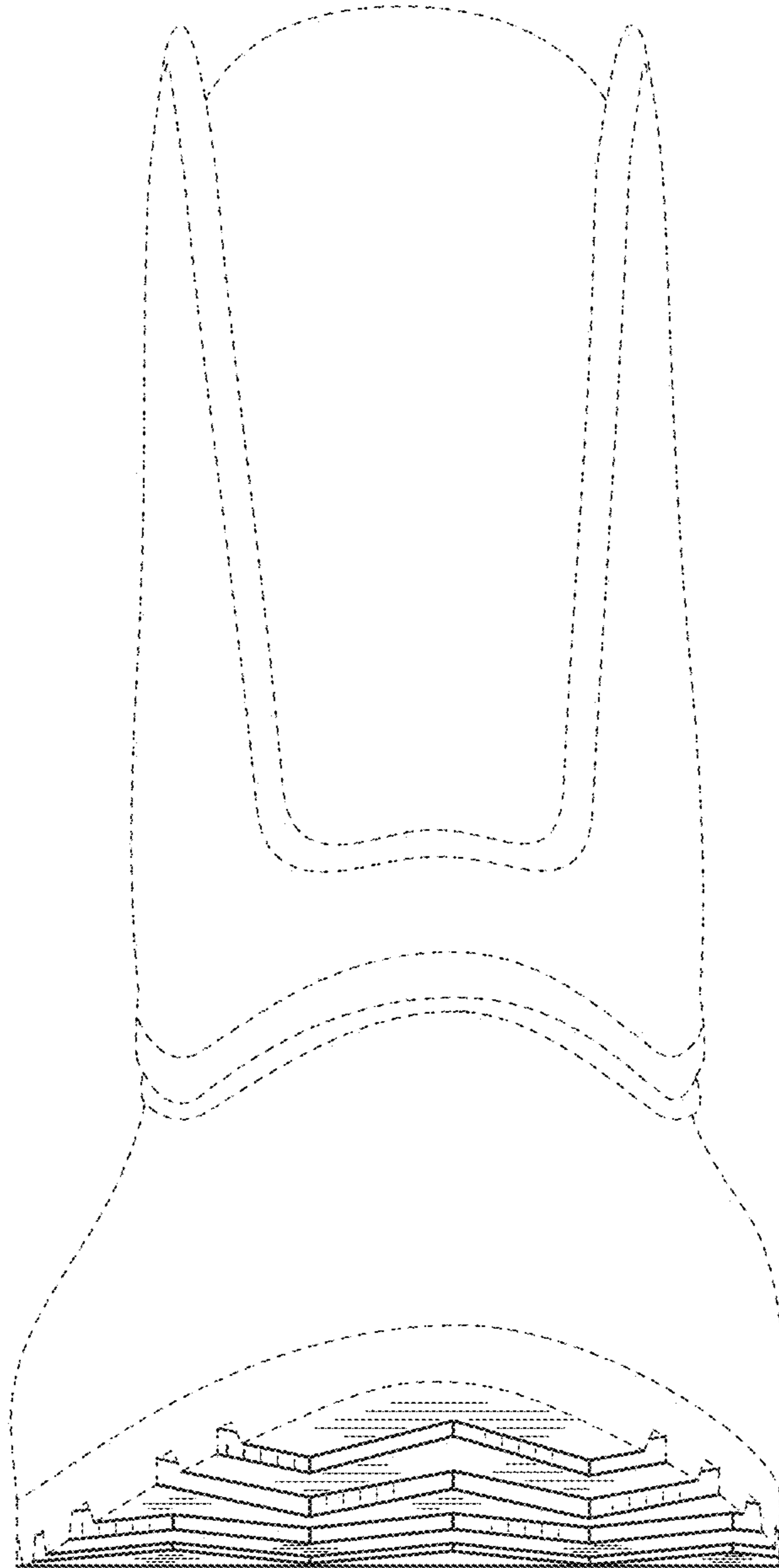


FIG. 2

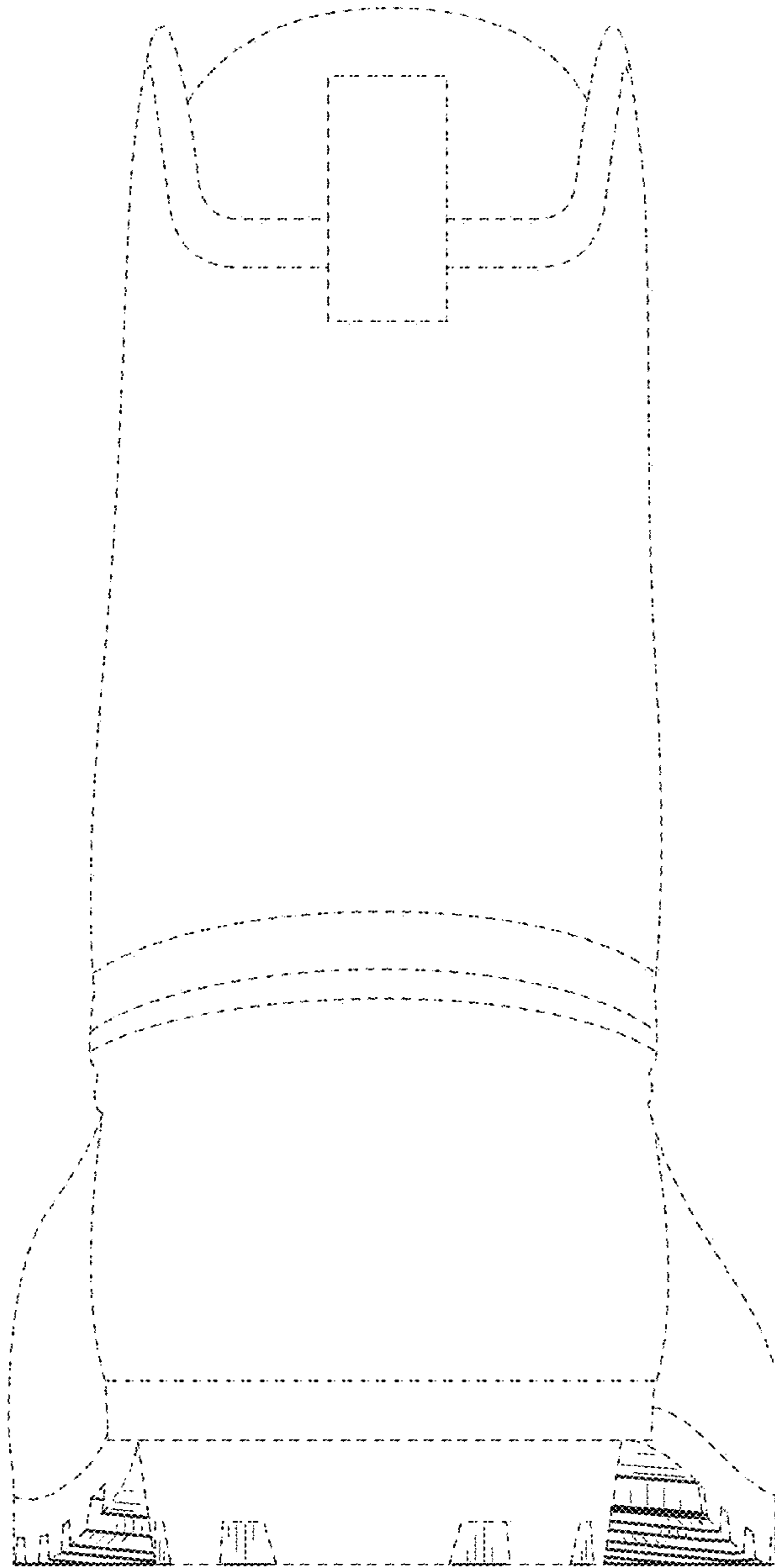


FIG. 3

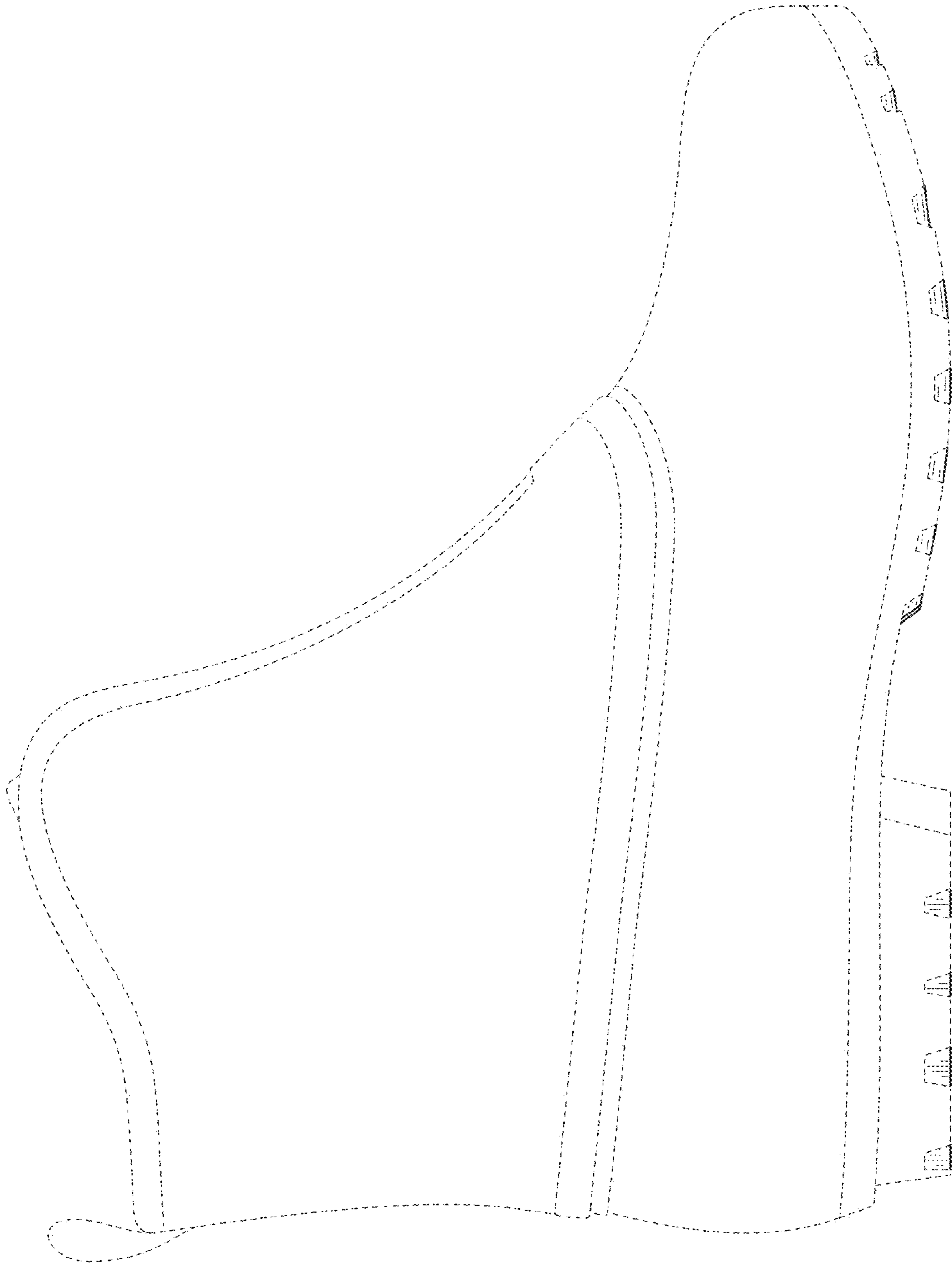


FIG. 4



FIG. 5

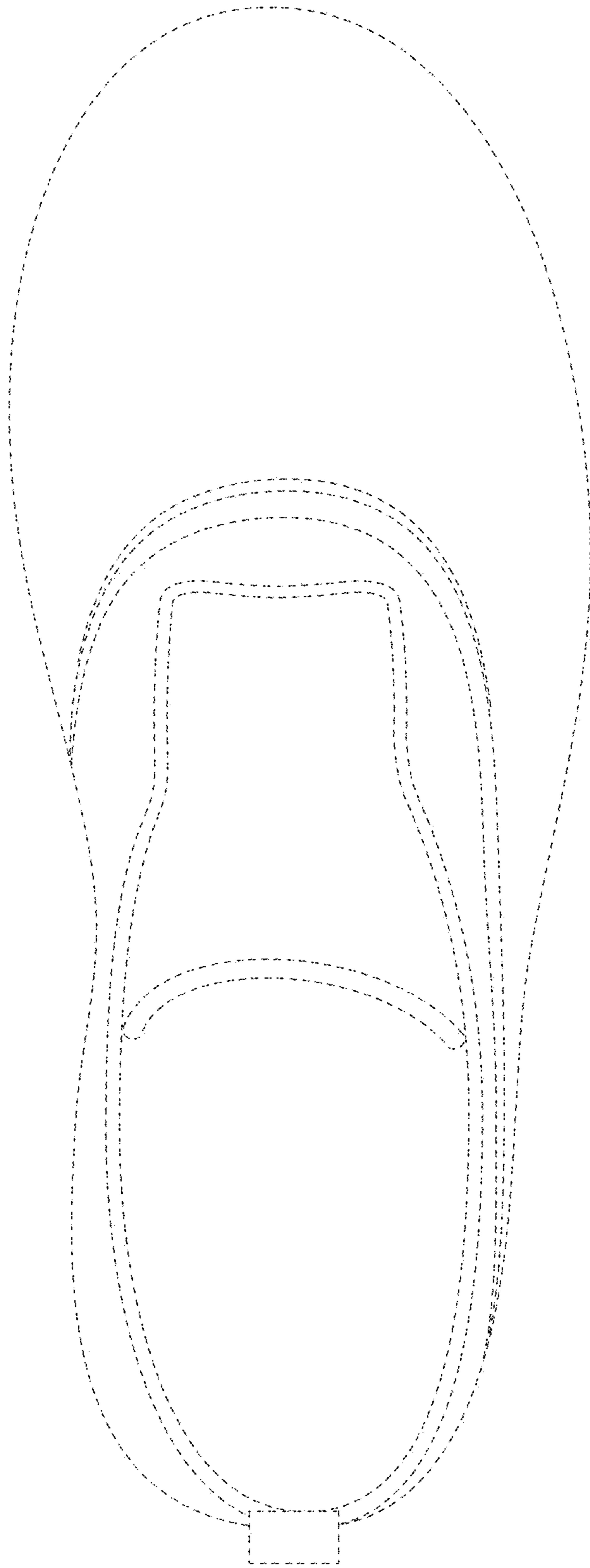


FIG. 6

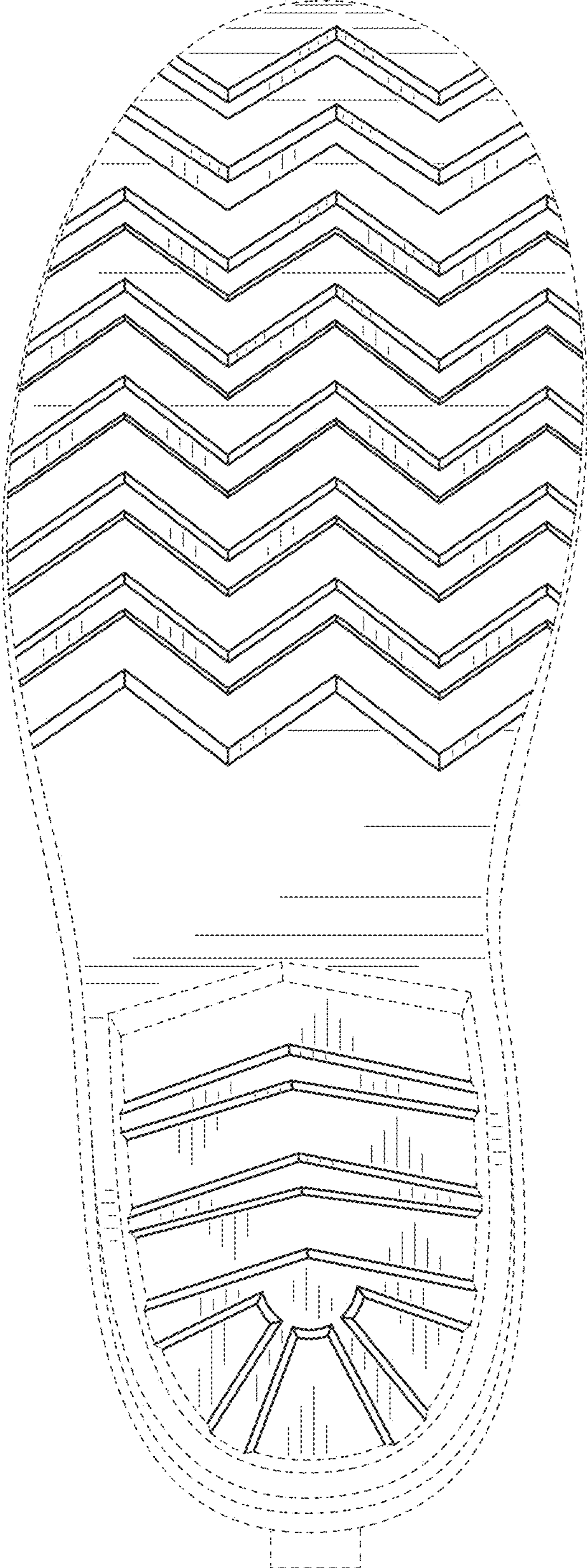


FIG. 7

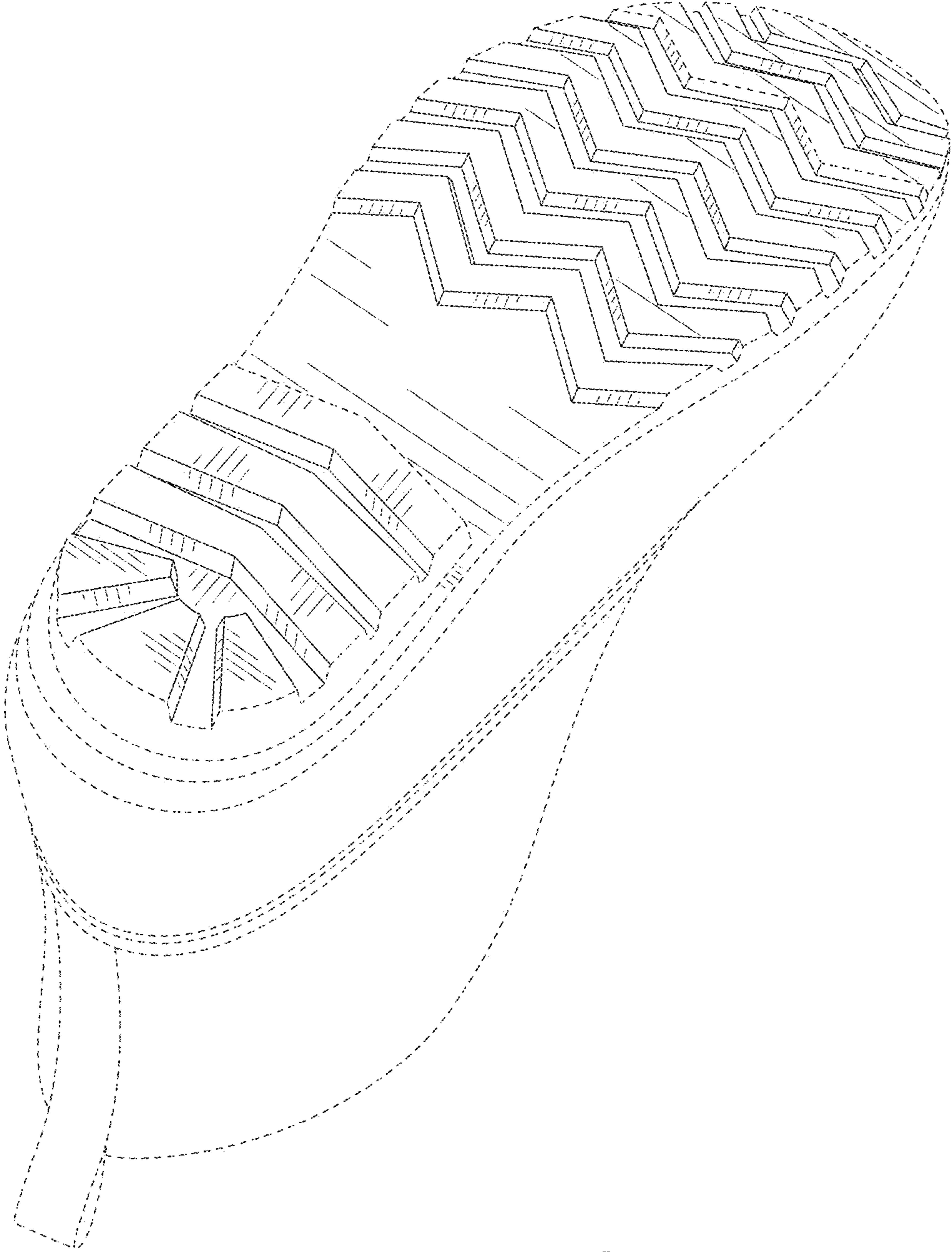


FIG. 8