



US00D957105S

(12) **United States Design Patent**
Kroshinskaya

(10) **Patent No.:** **US D957,105 S**
(45) **Date of Patent:** **** Jul. 12, 2022**

(54) **FOOTWEAR**
(71) Applicant: **Target Brands, Inc.**, Minneapolis, MN (US)
(72) Inventor: **Masha Kroshinskaya**, Minneapolis, MN (US)

4,300,294 A 11/1981 Riecken
4,446,633 A 5/1984 Scheinhaus et al.
4,793,075 A 12/1988 Thatcher
4,817,302 A 4/1989 Saltsman
4,869,000 A 9/1989 York, Jr.
4,967,750 A 11/1990 Cherniak
5,056,241 A 10/1991 Young

(Continued)

(73) Assignee: **Target Brands, Inc.**, Minneapolis, MN (US)

FOREIGN PATENT DOCUMENTS

(**) Term: **15 Years**

CA 2514808 C 2/2007
CN 205492741 8/2016

(Continued)

(21) Appl. No.: **29/746,643**

Primary Examiner — Jonathan J Han

(22) Filed: **Aug. 14, 2020**

(74) *Attorney, Agent, or Firm* — Merchant & Gould P.C.

(51) **LOC (13) Cl.** **02-04**

(52) **U.S. Cl.**
USPC **D2/951; D2/958; D2/960; D2/957; D2/947**

(57) **CLAIM**

The ornamental design for a footwear, as shown and described.

(58) **Field of Classification Search**
USPC D2/902, 906, 908, 916, 918, 925, D2/946–962, 977; 36/1, 1.5, 3 B, 22 R, 36/24.5, 25 R, 28, 32 R, 34 R, 59 C, 36/67 A, 101–107, 114–116, 117.3, 117.4, 36/124–136

DESCRIPTION

CPC A43B 13/00; A43B 13/02; A43B 13/023; A43B 13/026; A43B 13/04; A43B 13/08; A43B 13/10; A43B 13/12; A43B 13/14; A43B 13/141; A43B 13/143; A43B 13/16; A43B 13/18; A43B 13/181; A43B 13/187; A43B 13/189; A43B 13/20; A43B 13/22; A43B 13/223; A43B 13/24; A43B 13/28; A43B 13/30; A43B 13/32; A43B 13/34; A43B 13/36

FIG. 1 is front, top and right side perspective view of a footwear according to the new design; FIG. 2 is a bottom and right side perspective view of the embodiment of FIG. 1; FIG. 3 is a right side elevation view of the embodiment of FIG. 1; FIG. 4 is a left side elevation view of the embodiment of FIG. 1; FIG. 5 is a front elevation view of the embodiment of FIG. 1; FIG. 6 is a back elevation view of the embodiment of FIG. 1; FIG. 7 is a top plan view of the embodiment of FIG. 1; and, FIG. 8 is a bottom plan view of the embodiment of FIG. 1. The broken lines in the drawings show portions of the footwear that form no part of the claimed design.

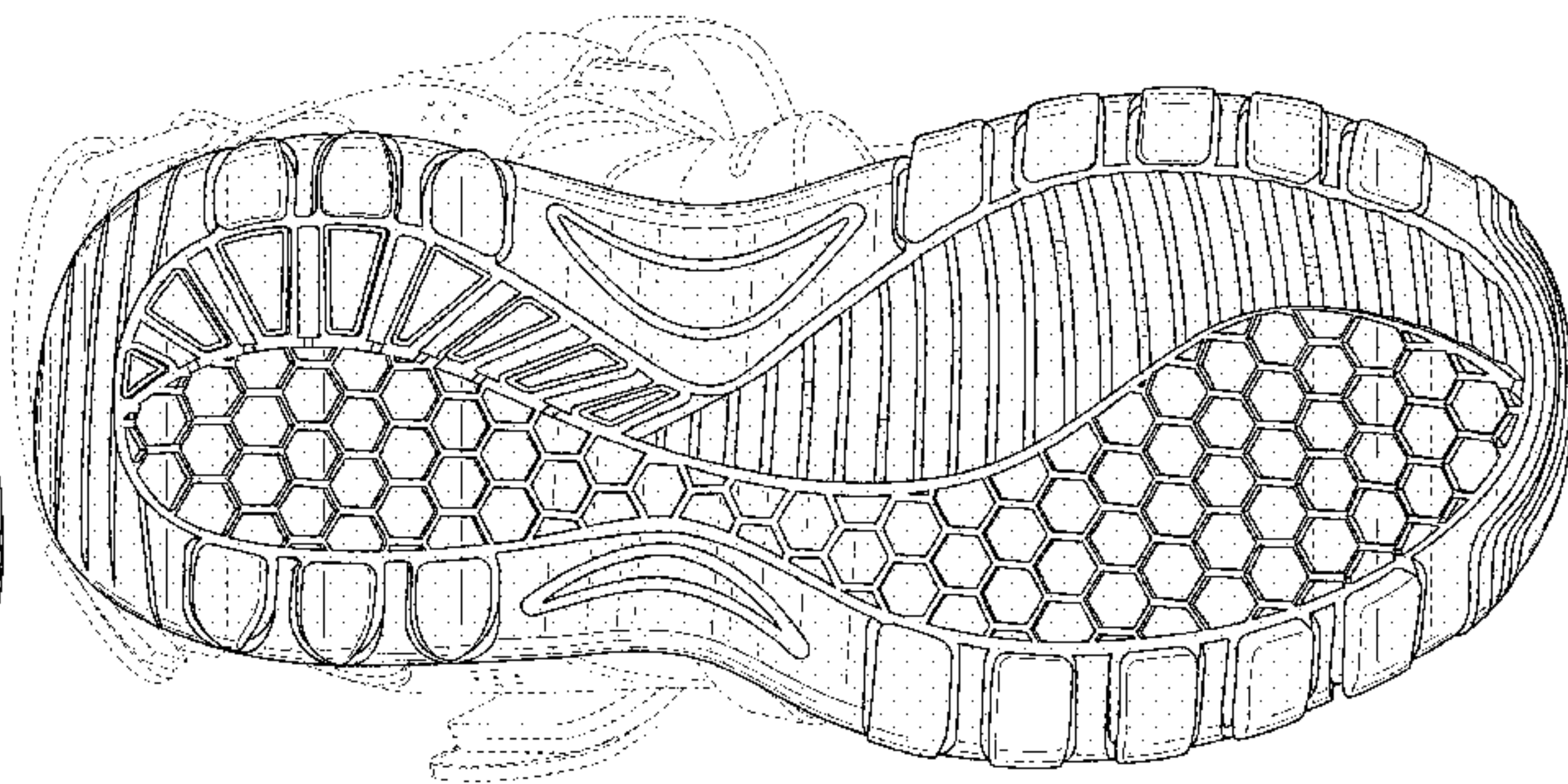
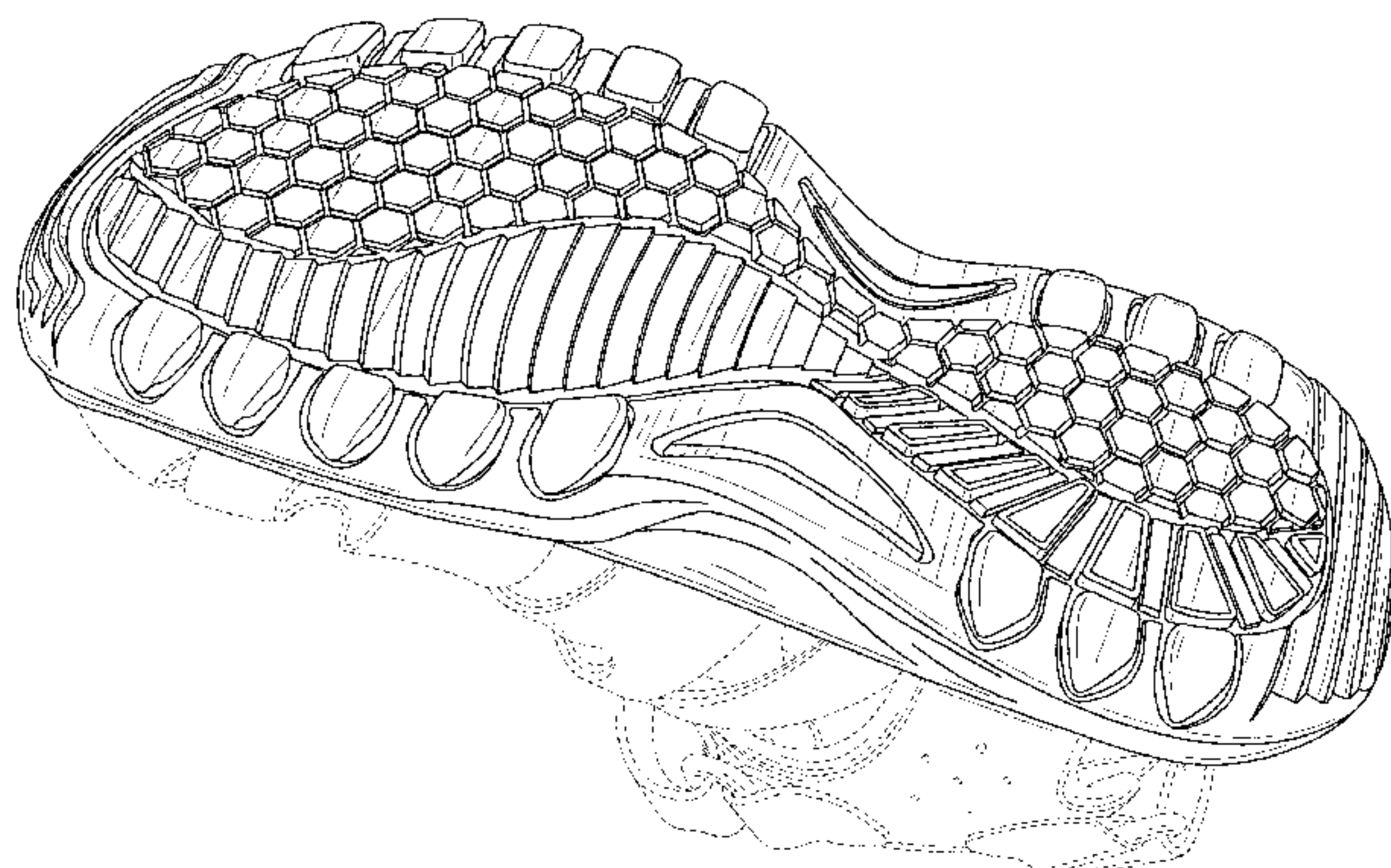
See application file for complete search history.

(56) **References Cited**

U.S. PATENT DOCUMENTS

4,200,997 A 5/1980 Scheinhaus et al.
4,275,512 A 6/1981 Zeligman et al.

1 Claim, 8 Drawing Sheets



(56)

References Cited

U.S. PATENT DOCUMENTS

D330,454 S * 10/1992 Elliot D2/955
 5,205,054 A 4/1993 York, Jr.
 5,423,134 A 6/1995 Bagnaia et al.
 5,465,506 A 11/1995 Matis et al.
 5,533,278 A 7/1996 Stein
 5,561,919 A 10/1996 Gill
 RE35,452 E 2/1997 Sargeant
 D385,093 S * 10/1997 Cass D2/957
 5,687,492 A 11/1997 Muraoka
 D387,938 S * 12/1997 Lucas D2/951
 5,836,090 A 11/1998 Smith
 D406,691 S * 3/1999 McDowell D2/960
 5,901,394 A 5/1999 Greenawalt
 D411,911 S * 7/1999 Carlson D2/957
 D413,713 S * 9/1999 Hernandez D2/956
 6,021,585 A 2/2000 Cole
 D421,831 S * 3/2000 McDowell D2/947
 6,052,920 A 4/2000 Bathum
 D424,286 S * 5/2000 Berend D2/951
 D427,757 S * 7/2000 Ruth D2/951
 D441,946 S * 5/2001 Agnew D2/953
 6,237,250 B1 5/2001 Aguerre
 6,543,157 B2 4/2003 Pan
 D476,800 S * 7/2003 Fuerst D2/957
 6,606,803 B1 8/2003 Ritter et al.
 6,637,130 B2 10/2003 Urie et al.
 6,694,641 B1 2/2004 Gill
 6,772,541 B1 8/2004 Ritter et al.
 D495,859 S * 9/2004 Kubo D2/953
 D495,860 S * 9/2004 Kubo D2/953
 D497,707 S * 11/2004 Lee D2/951
 D507,401 S * 7/2005 Sedlbauer D2/953
 D512,818 S * 12/2005 Mitani D2/953
 7,103,993 B2 9/2006 Sakai
 D552,337 S * 10/2007 Parekh D2/953
 D560,335 S * 1/2008 Turner A43B 13/223
 D2/957
 D561,986 S * 2/2008 Horne D2/953
 D566,938 S * 4/2008 Matis D2/957

D574,130 S * 8/2008 Le D2/953
 D588,791 S * 3/2009 Nelson D2/951
 7,794,417 B1 9/2010 Zimmerman
 7,823,299 B1 11/2010 Brigham
 8,460,593 B2 6/2013 Fogg et al.
 8,839,529 B1 9/2014 Levy
 D717,033 S * 11/2014 Law D2/957
 D734,931 S * 7/2015 McCourt D2/957
 D755,491 S * 5/2016 Nakano D2/958
 D756,095 S * 5/2016 Nakano D2/958
 9,468,252 B2 10/2016 Dematteo
 D817,619 S * 5/2018 Bressanin D2/958
 9,955,755 B2 5/2018 Heid
 10,278,454 B2 5/2019 Kohatsu et al.
 D897,651 S * 10/2020 Rinella D2/957
 D917,144 S * 4/2021 Jensen D2/960
 2004/0154188 A1 * 8/2004 Laska A43B 7/24
 36/25 R
 2006/0059712 A1 5/2006 Asham
 2006/0288610 A1 12/2006 Laska et al.
 2009/0313854 A1 12/2009 Clarke
 2010/0242305 A1 9/2010 Liu
 2012/0124860 A1 5/2012 Waddel
 2017/0143071 A1 5/2017 Huang et al.
 2017/0360142 A1 12/2017 Griffin
 2019/0350304 A1 11/2019 Velazquez et al.

FOREIGN PATENT DOCUMENTS

CN 109645617 A 4/2019
 CN 209403674 U 9/2019
 FR 3057741 B3 4/2018
 GB 2046077 11/1980
 GB 2377615 B 1/2003
 GB 2550880 A 12/2017
 JP 3217949 9/2018
 KR 100719159 B1 5/2007
 KR 20100038481 A 4/2010
 KR 20160147227 12/2016
 WO WO 2012/031801 3/2012

* cited by examiner

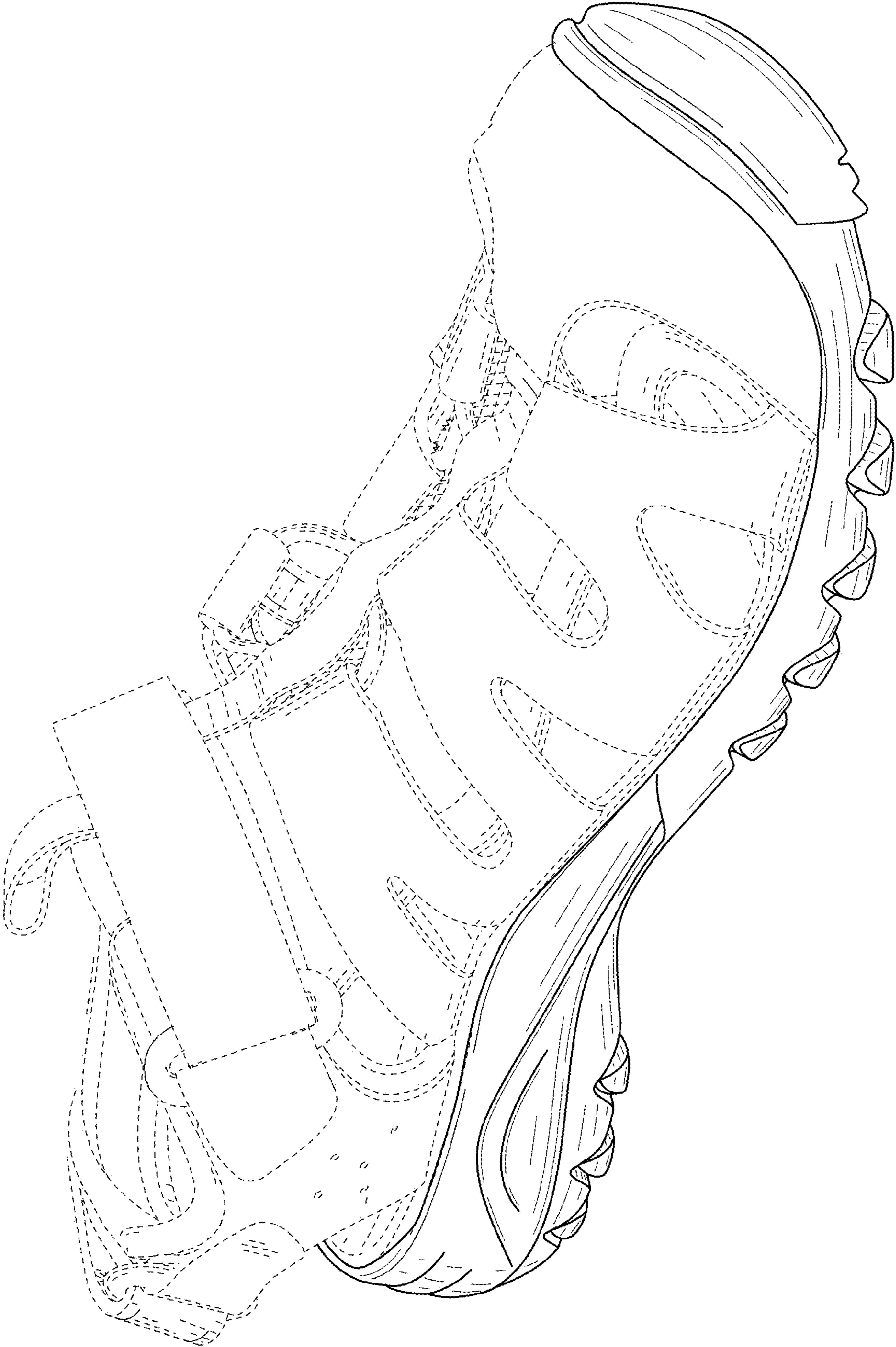


FIG. 1

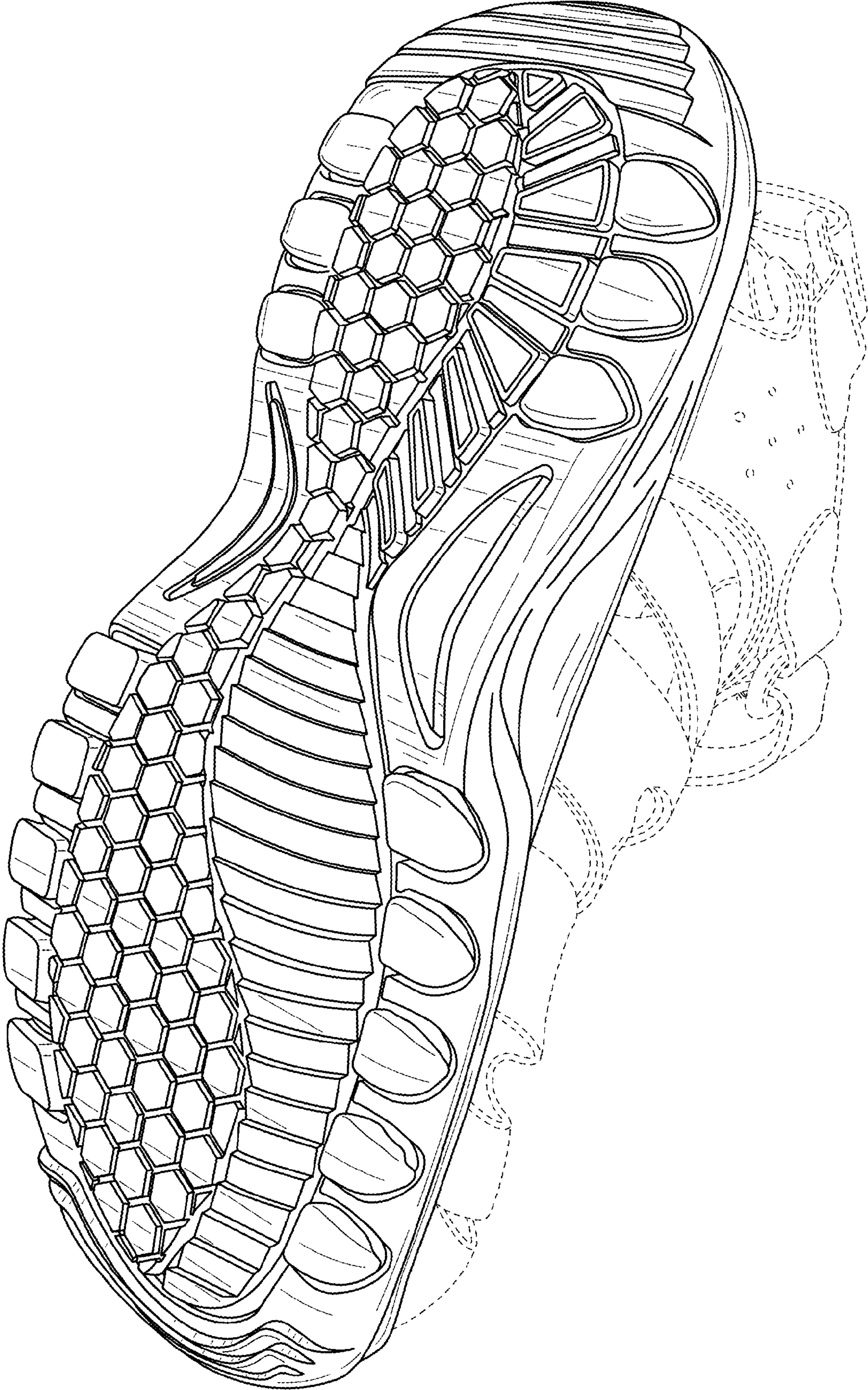


FIG. 2

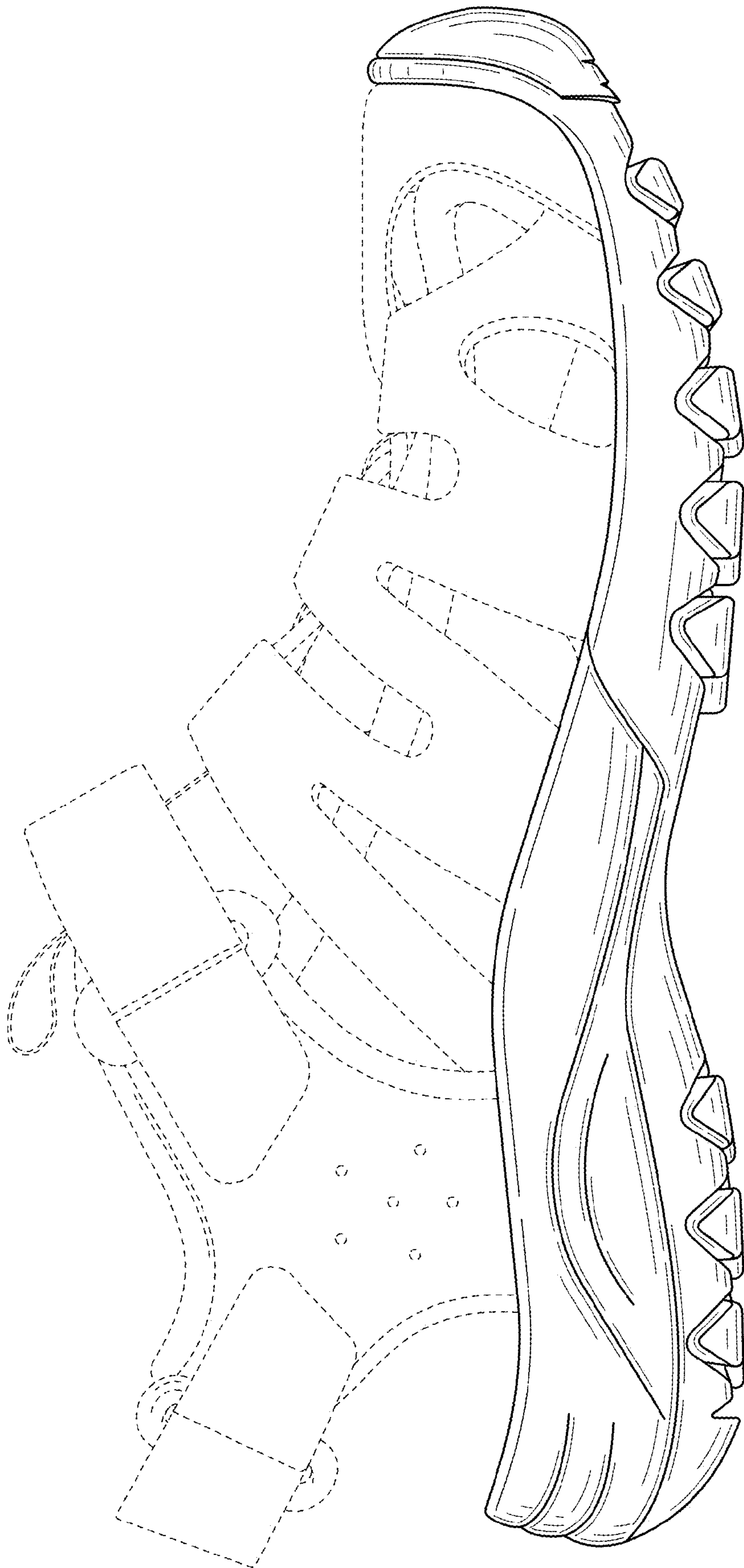


FIG. 3

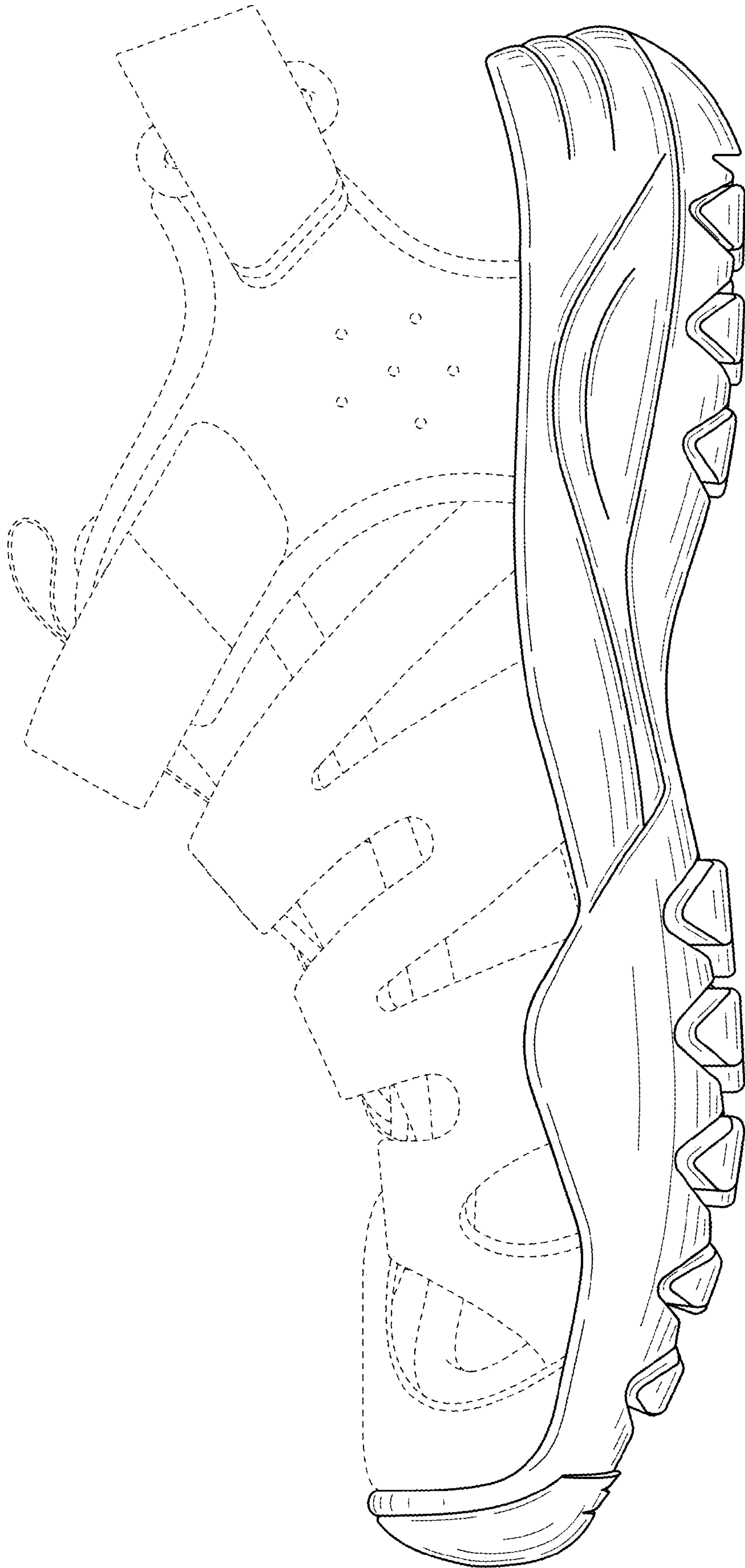


FIG. 4

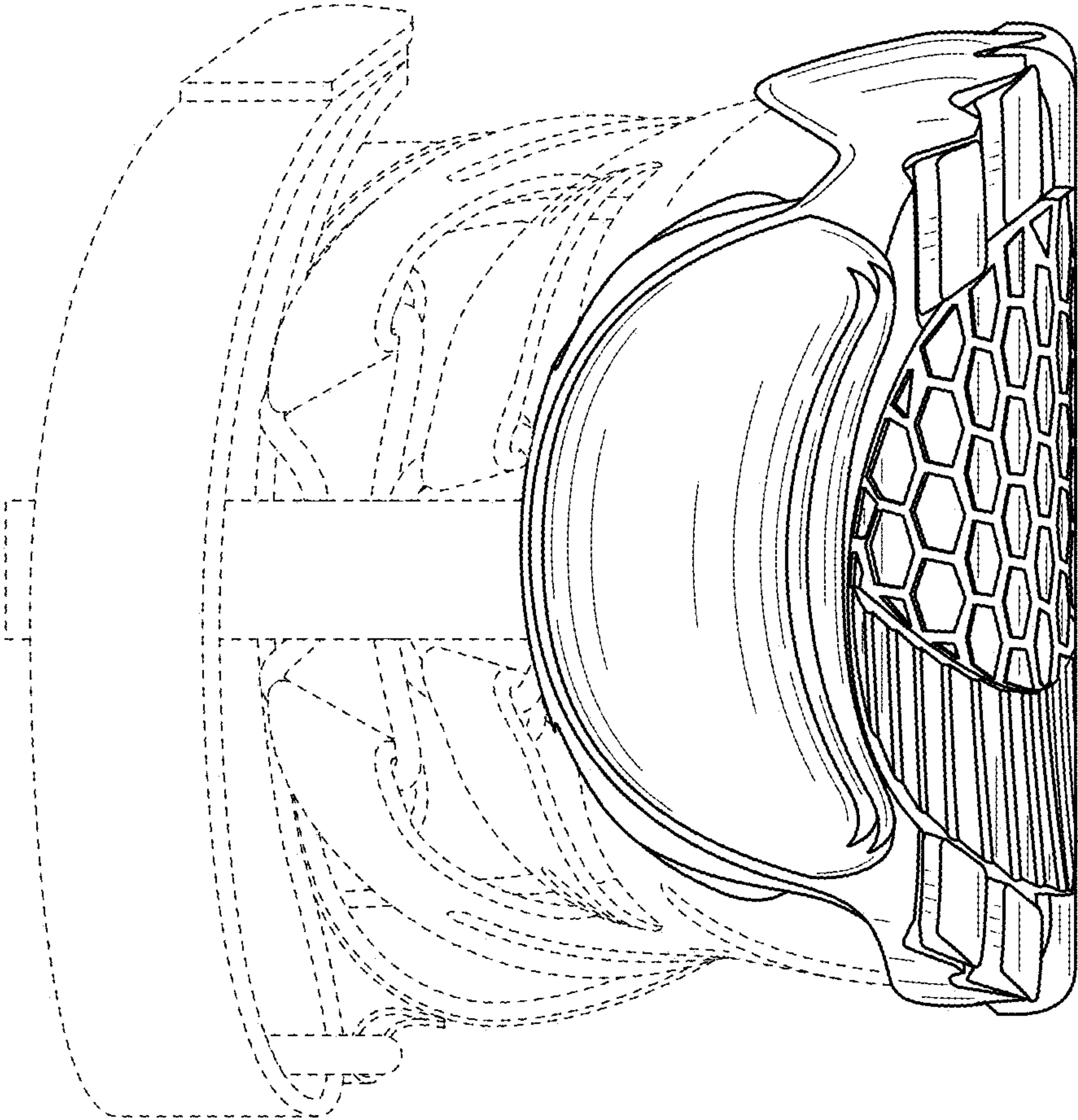


FIG. 5

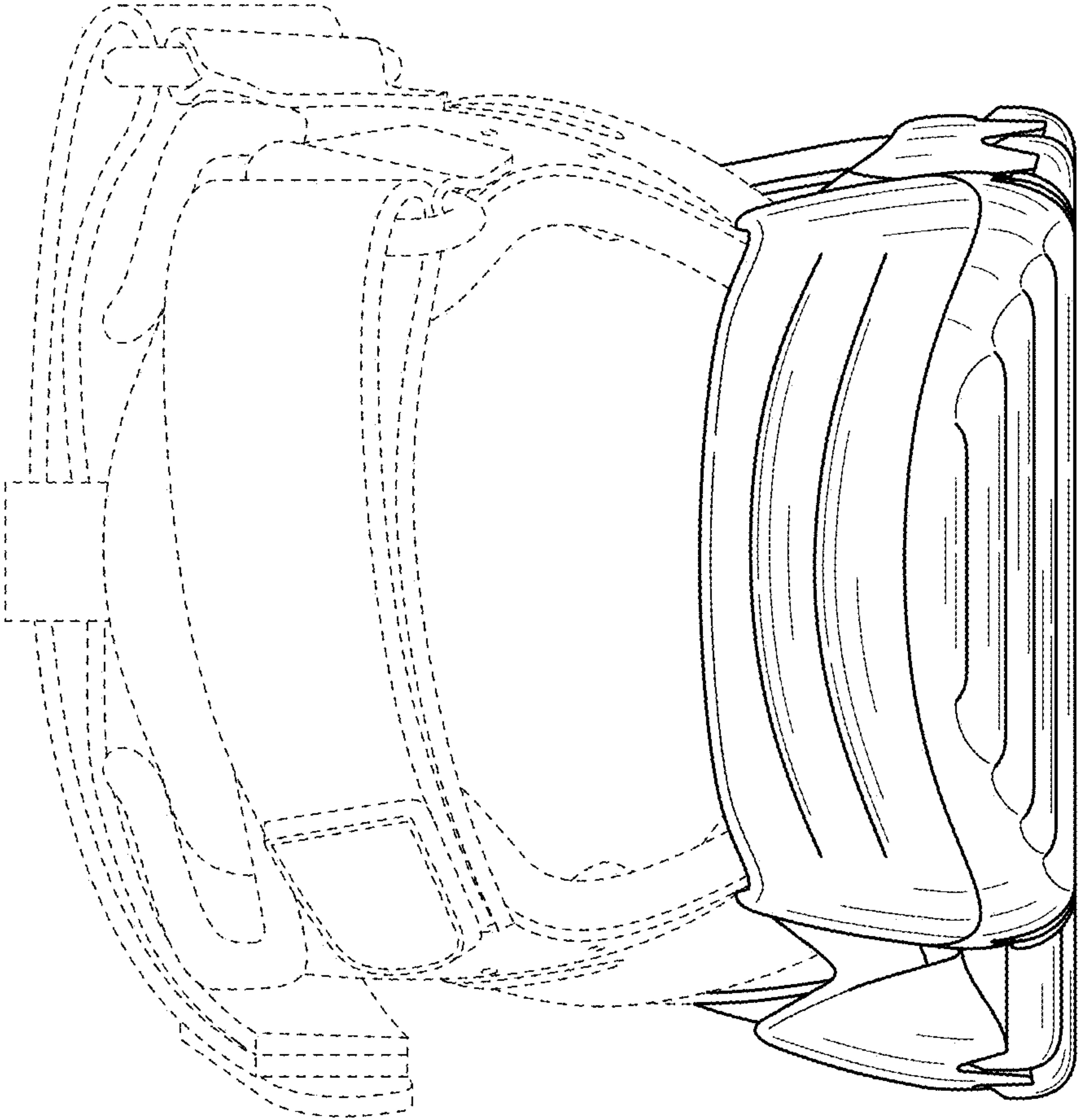


FIG. 6

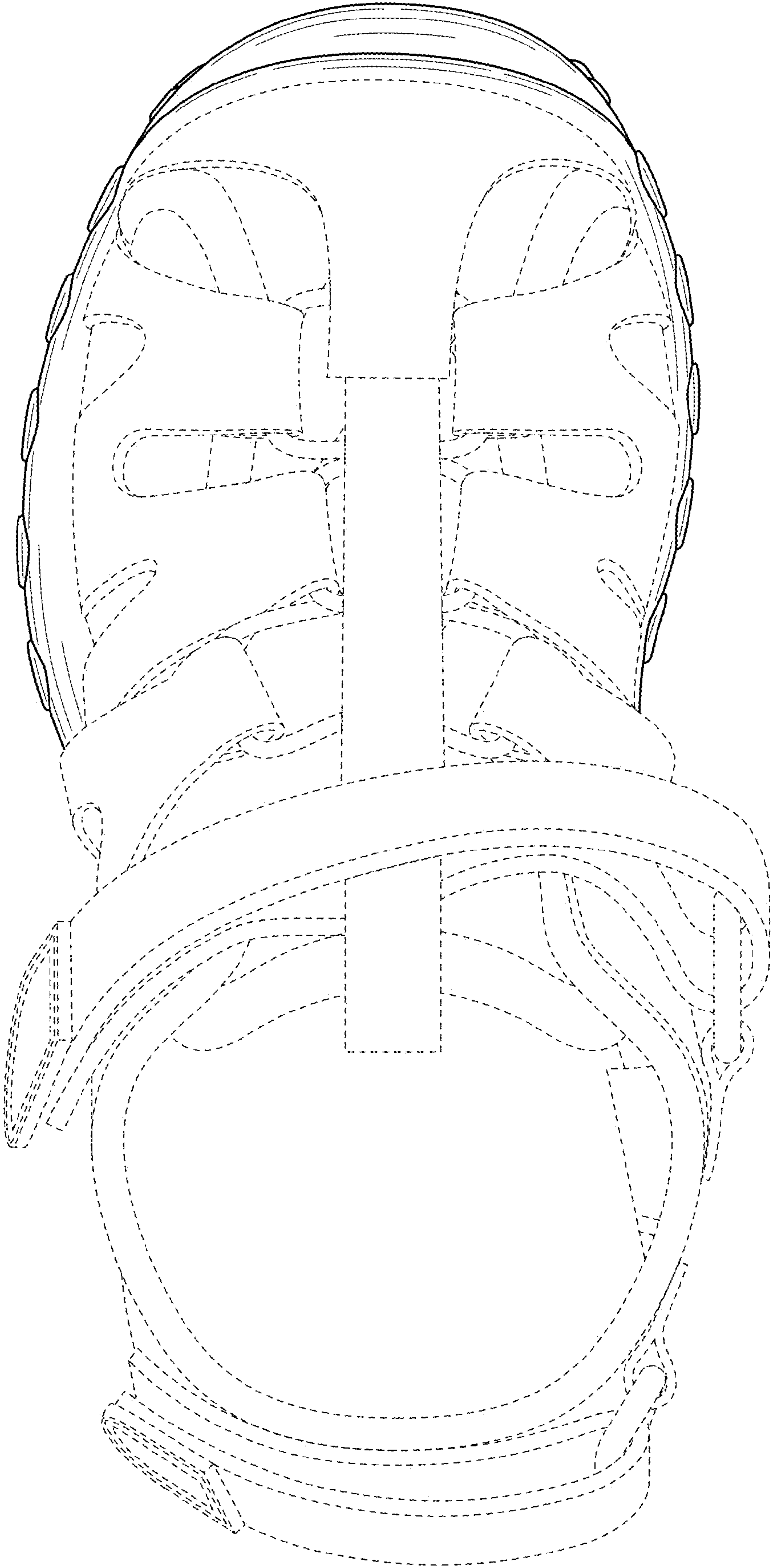


FIG. 7

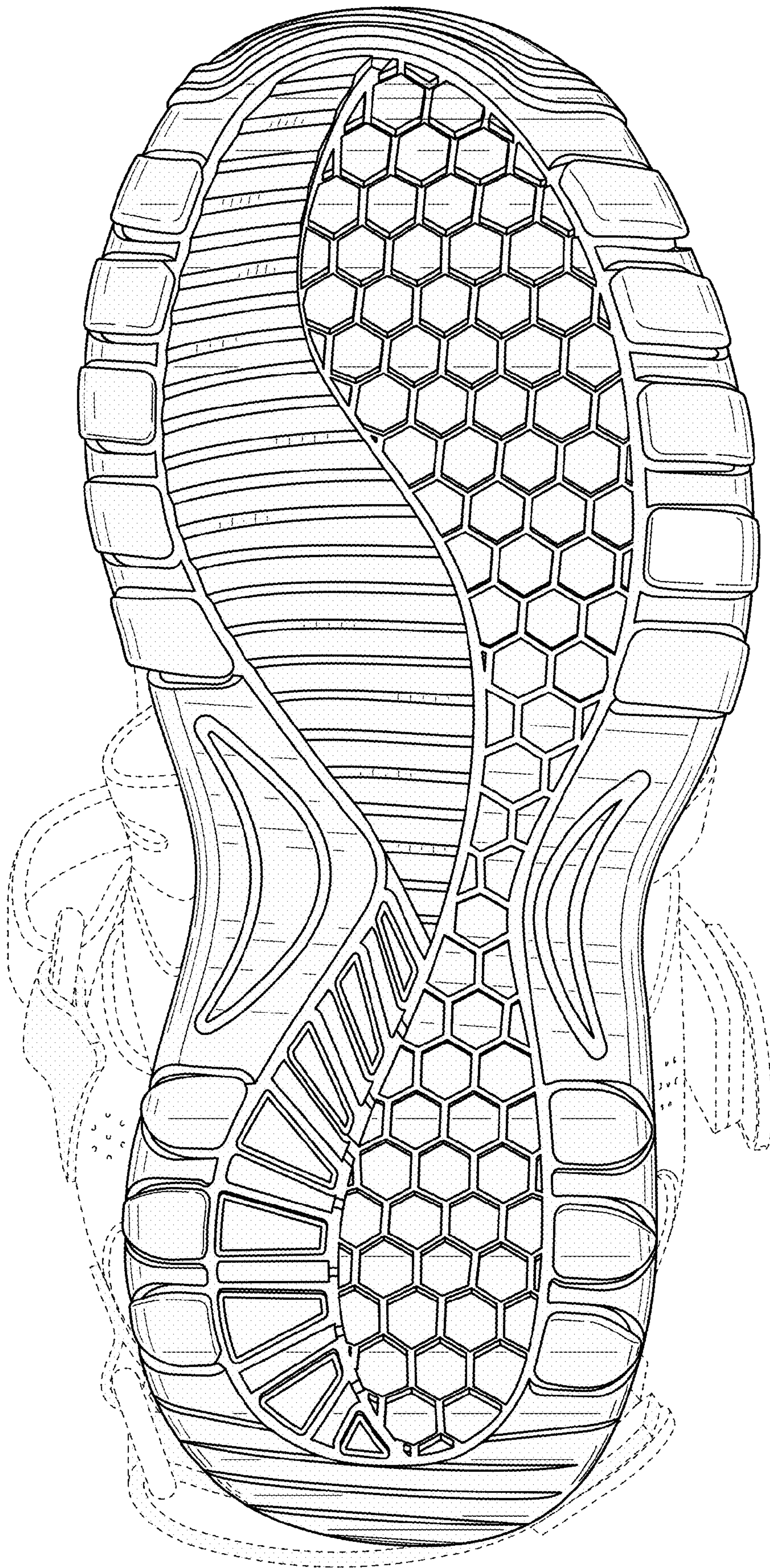


FIG. 8