



US00D957099S

(12) **United States Design Patent** (10) **Patent No.:** **US D957,099 S**  
**Belleza et al.** (45) **Date of Patent:** **\*\* Jul. 12, 2022**

(54) **UNIVERSAL HEEL PROTECTOR ASSEMBLY**

D750,880 S \* 3/2016 Weber ..... A43B 3/166  
D2/965  
D752,953 S \* 4/2016 Gundich ..... D8/350  
10,420,396 B2 \* 9/2019 Hwang ..... A43B 21/42  
D871,029 S \* 12/2019 Hwang ..... A43B 3/16  
D2/915

(71) Applicants: **Julie Belleza**, Littleton, CO (US);  
**Melissa Chung**, Toronto (CA)

(72) Inventors: **Julie Belleza**, Littleton, CO (US);  
**Melissa Chung**, Toronto (CA)

(Continued)

(\*\*) Term: **15 Years**

(21) Appl. No.: **29/656,946**

(22) Filed: **Jul. 17, 2018**

(51) **LOC (13) Cl.** ..... **02-04**

(52) **U.S. Cl.**  
USPC ..... **D2/915**

(58) **Field of Classification Search**  
USPC ..... D2/909, 910, 914, 915, 946, 965  
CPC ..... A43B 5/007; A43B 23/30; A43B 23/00;  
A43B 21/00; A43B 3/166; A43B 21/52  
See application file for complete search history.

(56) **References Cited**

**U.S. PATENT DOCUMENTS**

D126,506 S \* 4/1941 Derry ..... D8/312  
2,997,795 A 1/1960 Bingham  
D192,994 S \* 6/1962 Klein ..... D2/915  
3,077,679 A \* 2/1963 Hanko ..... A43B 3/16  
36/7.1 A  
D198,306 S \* 6/1964 Hanko ..... D2/962  
3,439,435 A \* 4/1969 Fredon ..... A43B 3/166  
36/72 B  
4,697,362 A 10/1987 Wasserman  
D301,182 S \* 5/1989 Girardat ..... A43C 13/00  
D2/915  
D541,133 S \* 4/2007 Brayford ..... D8/322  
D605,935 S \* 12/2009 Zeyfang ..... A61B 90/40  
D8/402  
D617,894 S \* 6/2010 Wright ..... A61B 90/40  
D24/121

**OTHER PUBLICATIONS**

“Ferragamo Adds RFID Tags to Shoes and Bags to Fight Fakes”  
Sourcing Journal; Mar. 11, 2016 (Mar. 11, 2016), [retrieved on Dec.  
16, 2019]. Retrieved from the Internet: <URL: <https://sourcingjournal.com/topics/technology/ferragamo-adds-rfid-tags-shoes-bags-fightfakes-43334/>>.

*Primary Examiner* — Rashida C. Walshon  
(74) *Attorney, Agent, or Firm* — Strategic Patents LLC;  
Bret W Adams

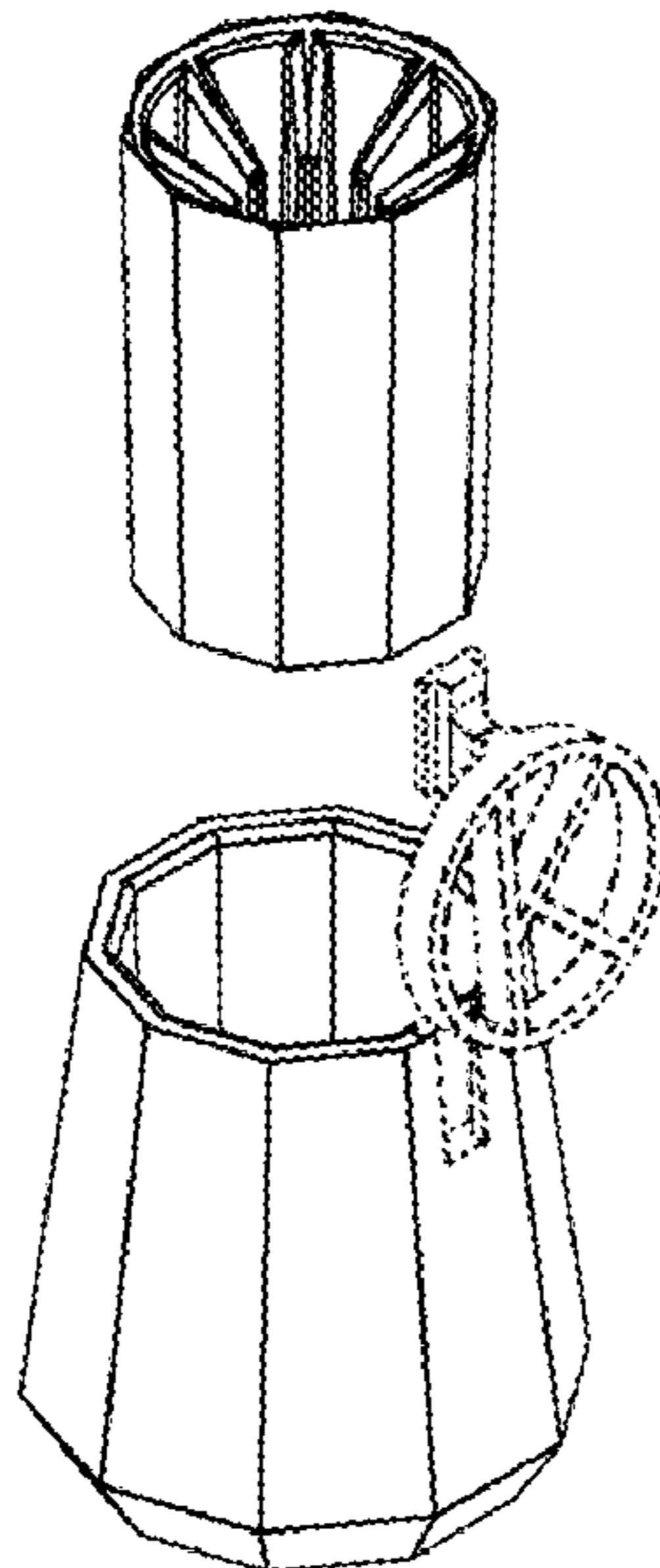
(57) **CLAIM**

We claim the ornamental design for a universal heel protector assembly, as shown and described.

**DESCRIPTION**

FIG. 1 is a perspective view of the universal heel protector assembly in accordance with the present design.  
FIG. 2 is a front view of the universal heel protector assembly in accordance with the present design.  
FIG. 3 is a left view of the universal heel protector assembly in accordance with the present design.  
FIG. 4 is a right side view of the universal heel protector assembly in accordance with the present design.  
FIG. 5 is a rear view of the universal heel protector assembly in accordance with the present design.  
FIG. 6 is a bottom view of the universal heel protector assembly in accordance with the present design; and,  
FIG. 7 is a top view of the universal heel protector assembly in accordance with the present design.  
The broken lines illustrate portions of the universal heel protector assembly that form no part of the ornamental design.

**1 Claim, 7 Drawing Sheets**



(56)

**References Cited**

U.S. PATENT DOCUMENTS

2008/0148606 A1\* 6/2008 Brown ..... A43C 13/00  
36/72 B  
2011/0185601 A1 8/2011 Hampton  
2011/0314704 A1 12/2011 Naismith-Beely  
2014/0033579 A1\* 2/2014 Greener ..... A43B 23/00  
36/72 B  
2014/0259803 A1\* 9/2014 Reardon ..... A43B 21/42  
36/34 B  
2016/0249708 A1\* 9/2016 Boag ..... A43B 21/22  
36/72 B  
2017/0318910 A1 11/2017 Hwang et al.

\* cited by examiner

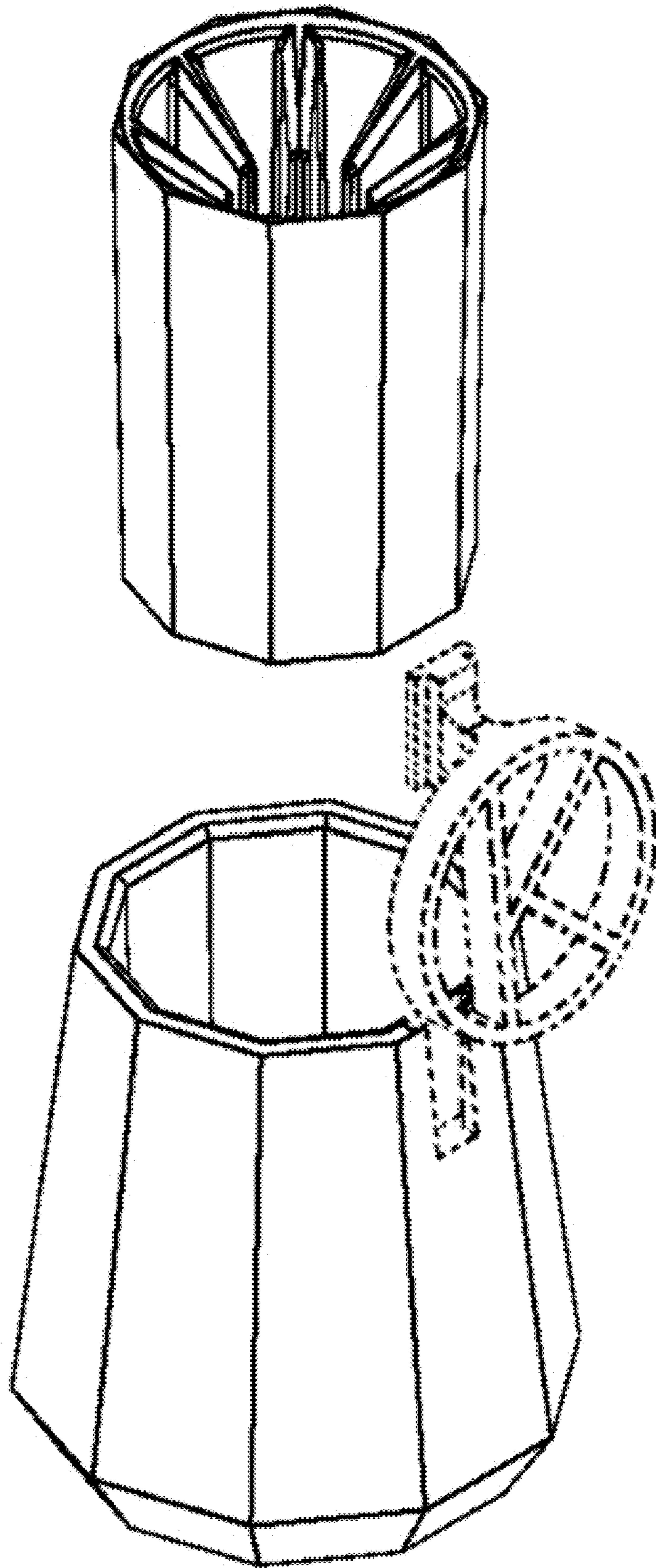


FIG. 1

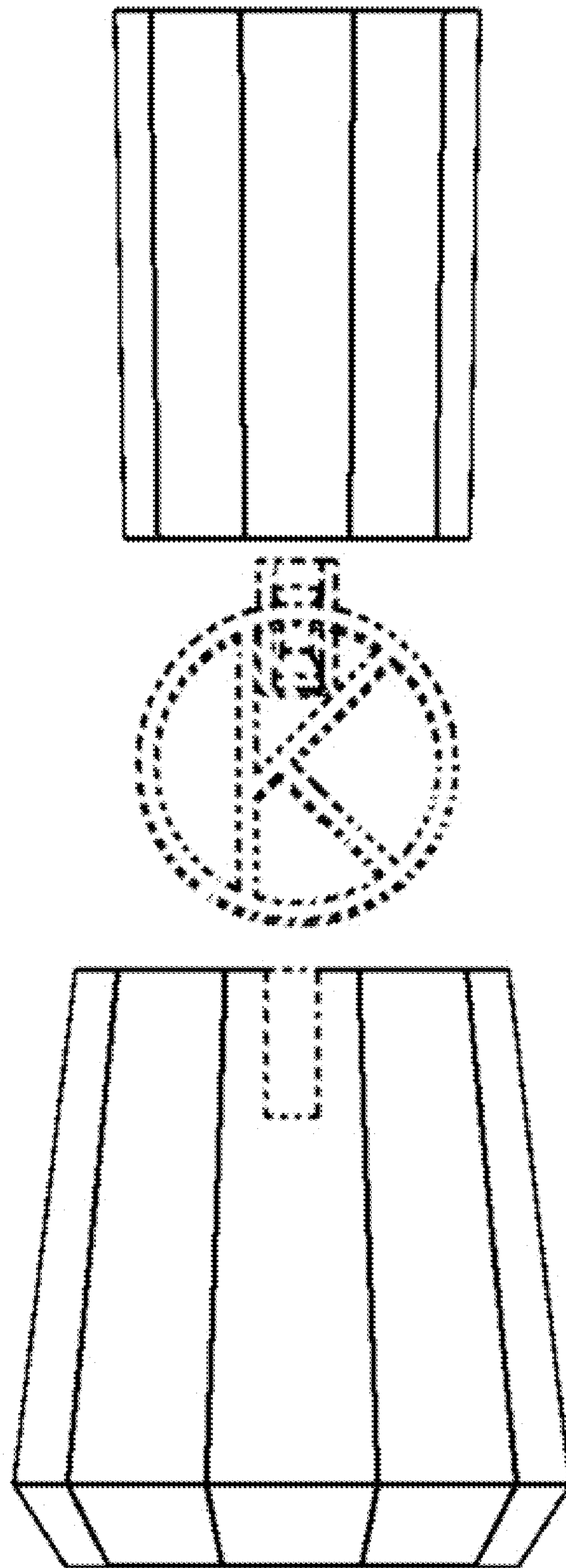


FIG. 2

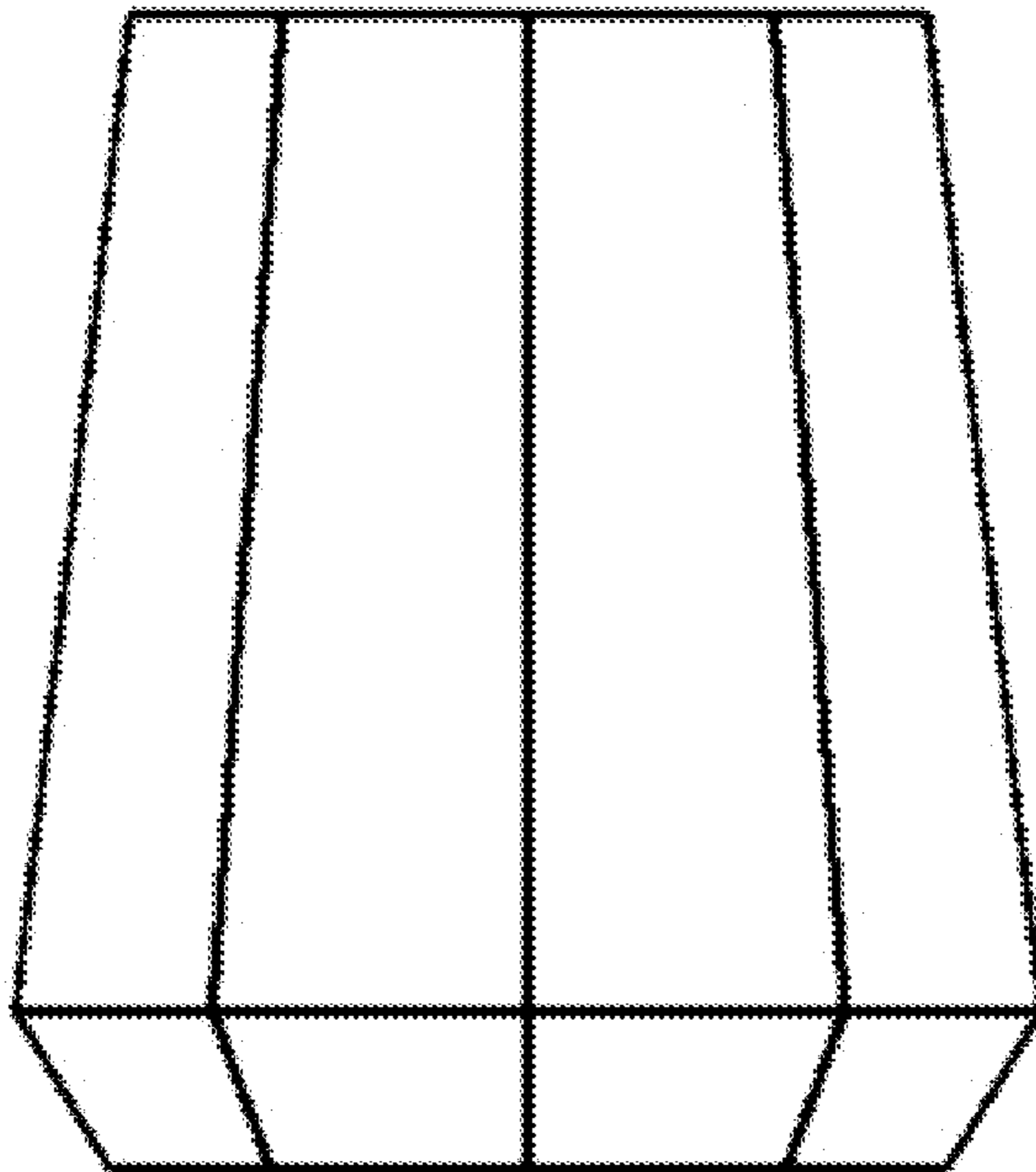
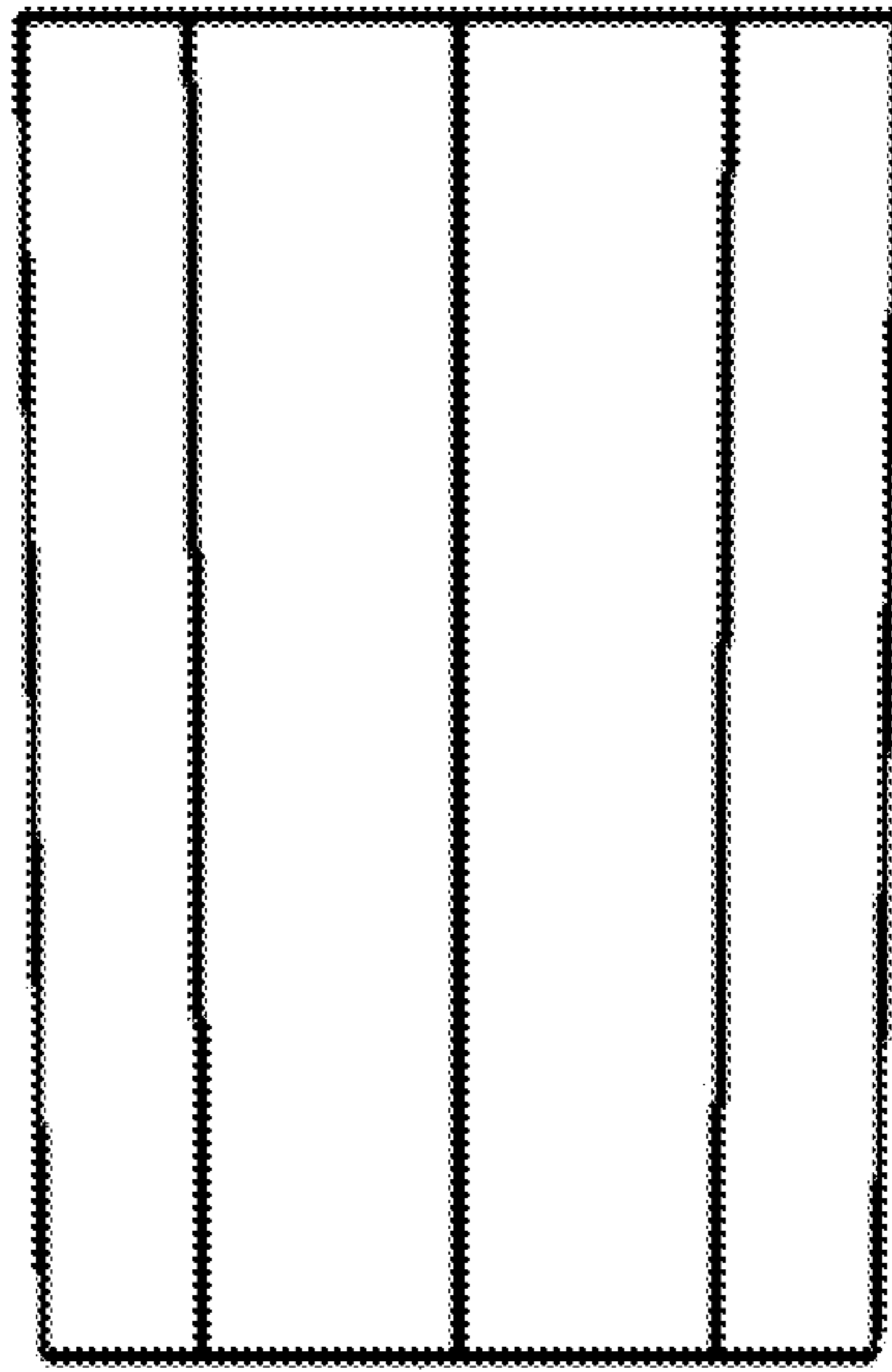


FIG. 3

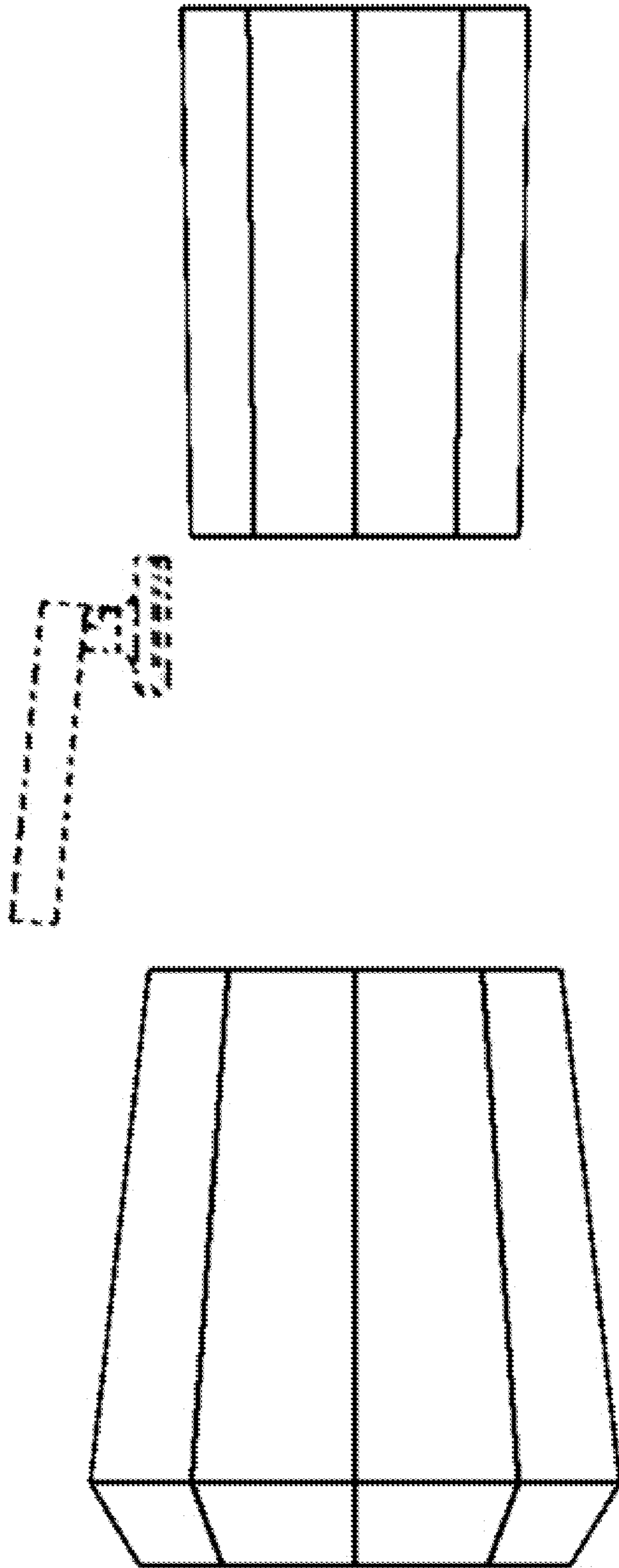


FIG. 4

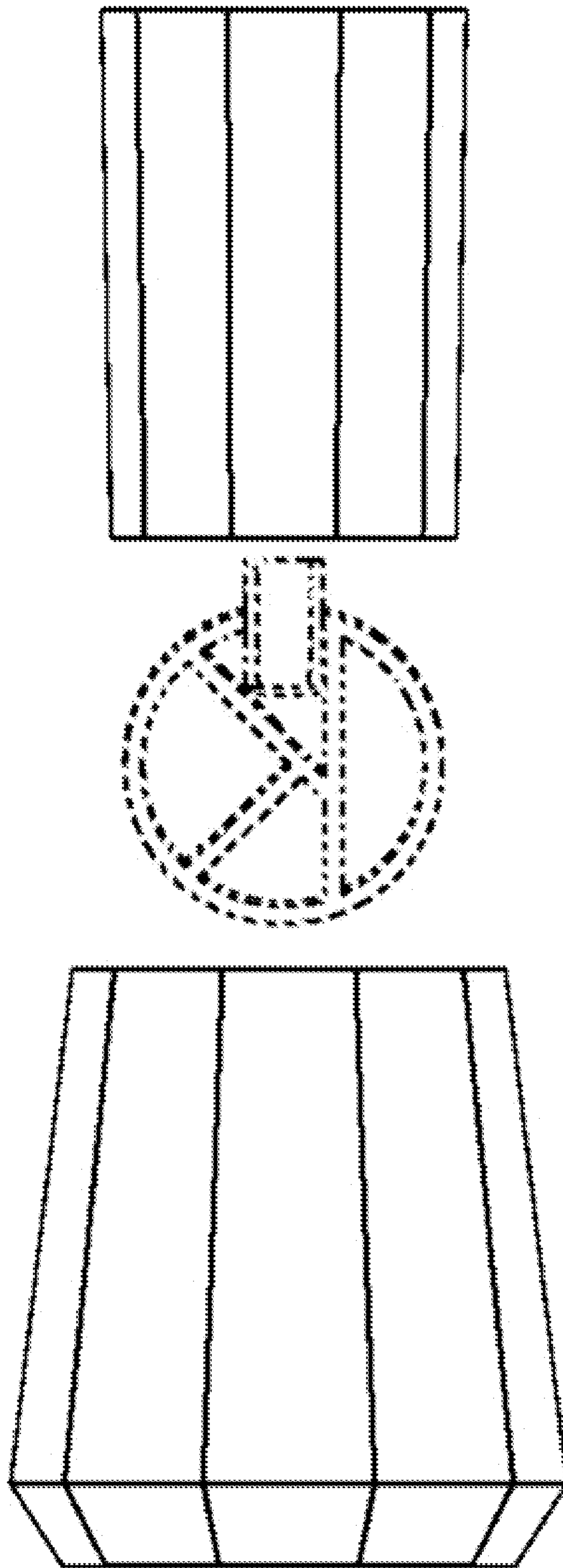


FIG. 5

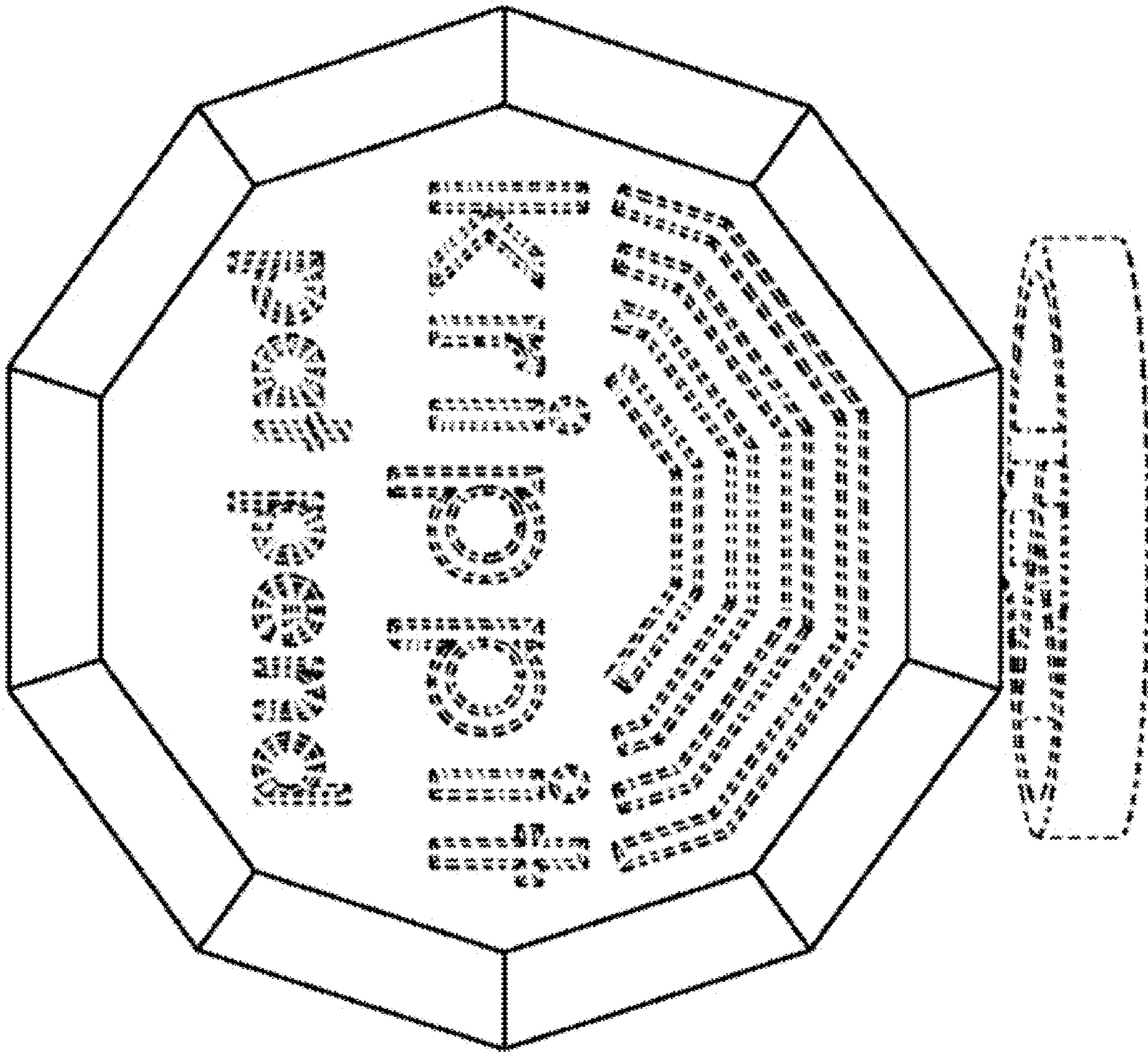


FIG. 6



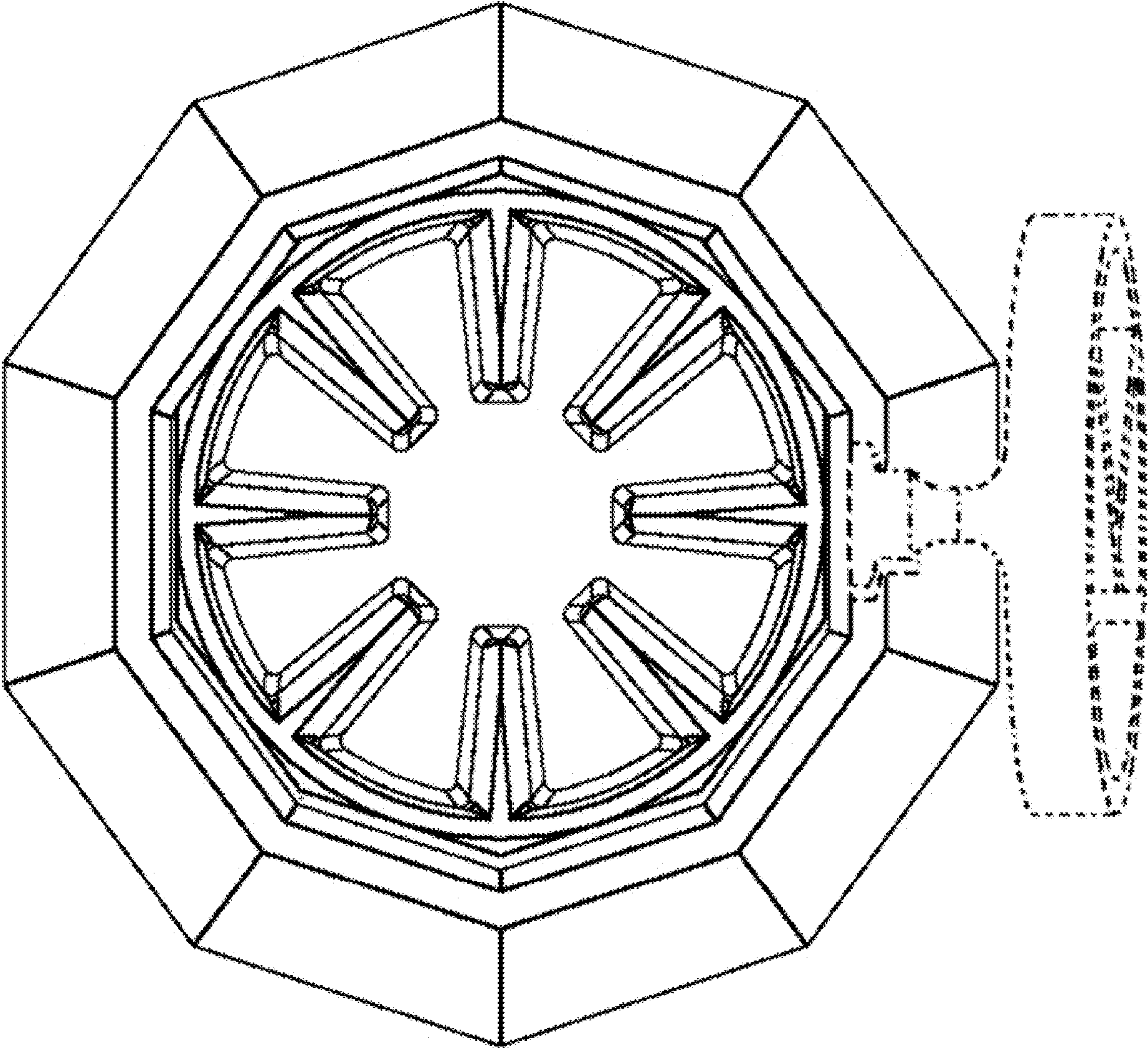


FIG. 7