



US00D957087S

(12) **United States Design Patent**
Clark

(10) **Patent No.:** **US D957,087 S**

(45) **Date of Patent:** **** Jul. 12, 2022**

(54) **THREE-DIMENSIONAL CONFECTIONERY PRODUCT**

(71) Applicant: **WM. WRIGLEY JR. COMPANY,**
Chicago, IL (US)

(72) Inventor: **Garrett Landon Clark,** Chicago, IL
(US)

(73) Assignee: **WM. WRIGLEY JR. COMPANY,**
Chicago, IL (US)

(**) Term: **15 Years**

(21) Appl. No.: **29/765,474**

(22) Filed: **Jan. 8, 2021**

(51) **LOC (13) Cl.** **01-01**

(52) **U.S. Cl.**
USPC **D1/127**

(58) **Field of Classification Search**
USPC D1/100–130, 199; 426/94, 104, 138,
426/143, 144, 274, 283, 303, 391, 512,
426/514, 518, 549; D6/597, 601;
D8/8.1; D9/451, 707, 710, 715;
D28/8.1, 8.2; D21/385, 386, 707;
D24/101–104
CPC . A21C 11/12; A22C 13/0013; A21D 13/0016;
A21D 13/0022; A21D 13/0025; A21D
13/0029; A21D 13/0074; A23G 3/54;
A23G 4/20; A23G 9/48; A23L 1/005;
A23L 1/0052; A23L 1/0067; A23L 1/16;
A23L 1/1641; A23L 1/217; A23V
2002/00

See application file for complete search history.

(56) **References Cited**

U.S. PATENT DOCUMENTS

D56,478 S *	10/1920	Shores	D24/103
D76,977 S *	11/1928	Baldwin	D1/120
D283,739 S *	5/1986	Tovey	D24/103
D375,549 S *	11/1996	Sauer	D24/101
D383,533 S *	9/1997	Jushchyshyn	D24/103
D383,534 S *	9/1997	Jushchyshyn	D24/103
D433,750 S *	11/2000	Burrows	D24/101
D726,899 S *	4/2015	Pai	D24/101
D735,315 S *	7/2015	Bhat	D24/101
D858,934 S *	9/2019	Van Lauwe	D1/128
D908,309 S *	1/2021	Panto	D1/126
D927,124 S *	8/2021	Panto	D1/126
D933,934 S *	10/2021	Panto	D1/126

* cited by examiner

Primary Examiner — Katie Jane Stofko

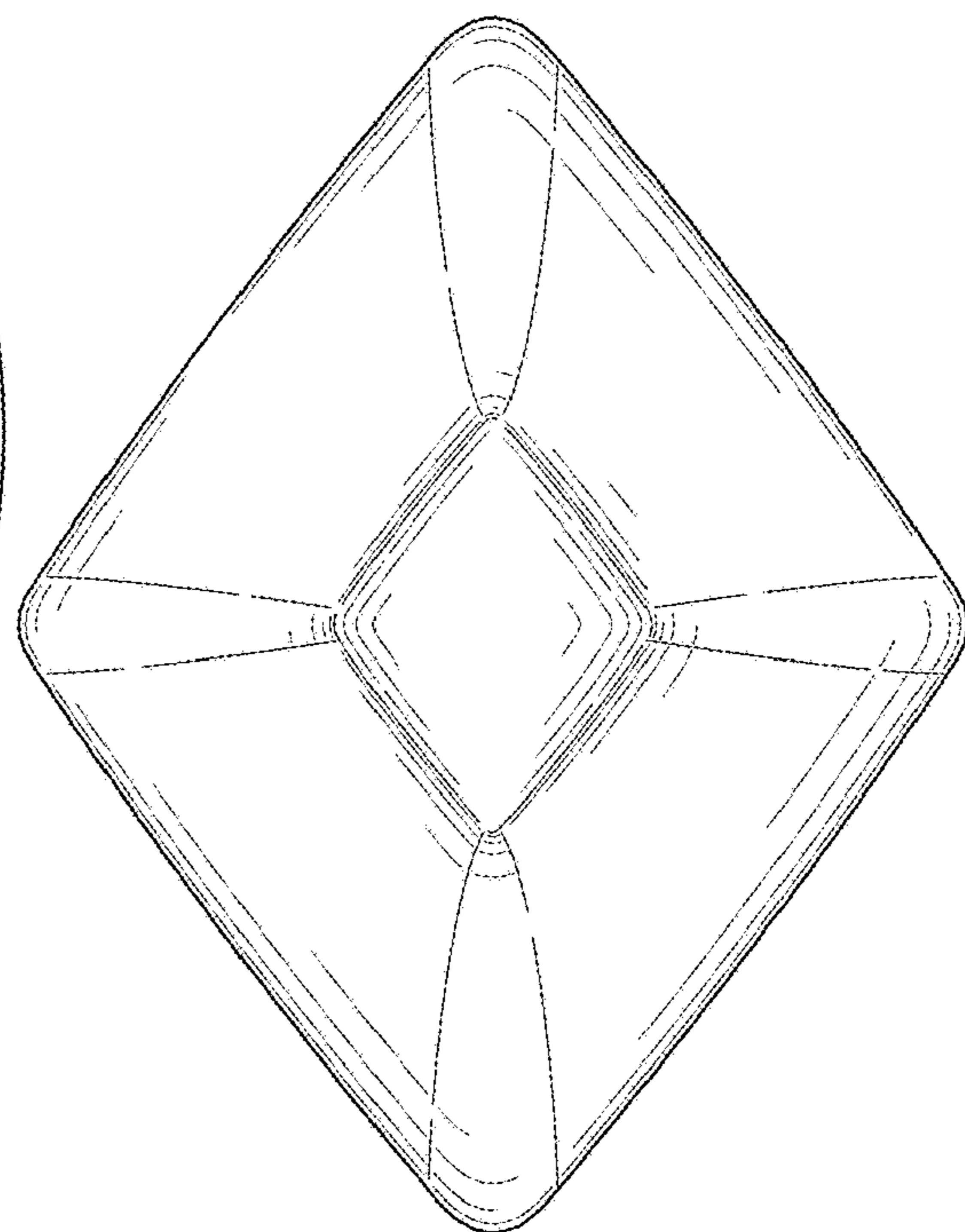
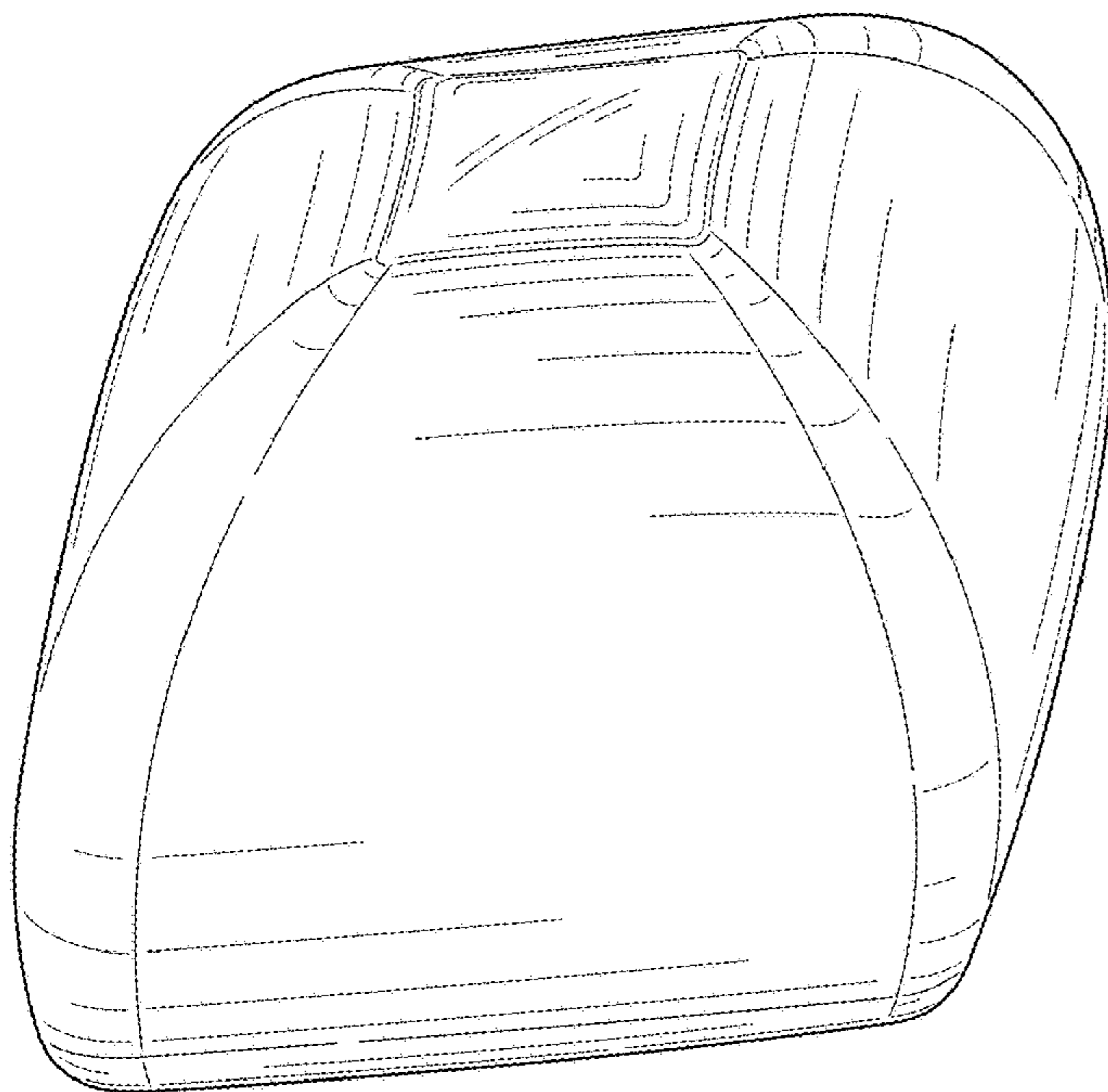
(57) **CLAIM**

The ornamental design for a three-dimensional confectionery product, as shown and described.

DESCRIPTION

FIG. 1 is a perspective view of a three-dimensional confectionery product showing my new design; FIG. 2 is a front elevation view of FIG. 1; FIG. 3 is a rear elevation view of FIG. 1; FIG. 4 is a left side elevation view of FIG. 1; FIG. 5 is a right side elevation view of FIG. 1; FIG. 6 is a top plan view of FIG. 1; and, FIG. 7 is a bottom plan view of FIG. 1.

1 Claim, 4 Drawing Sheets



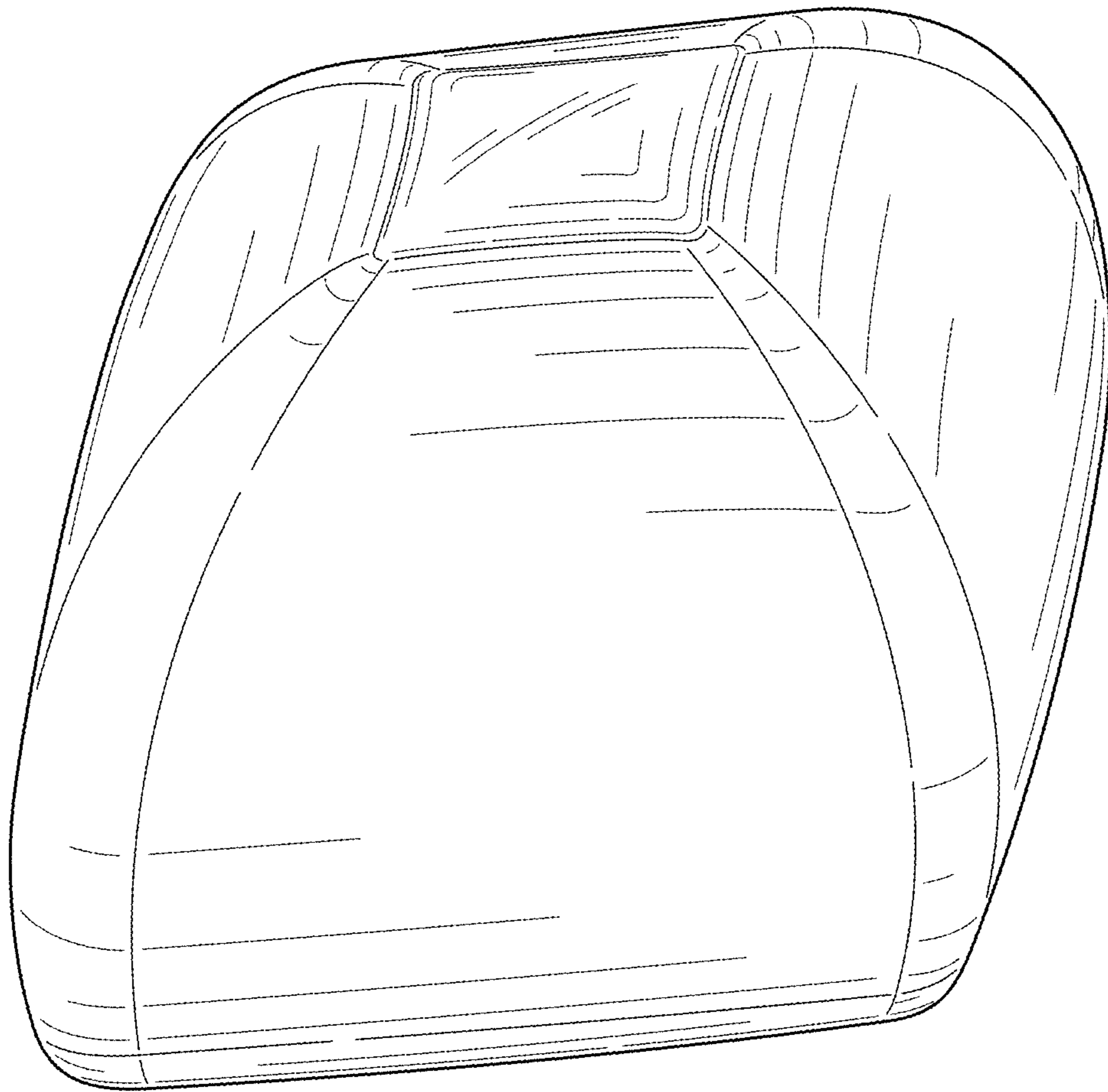


FIG. 1

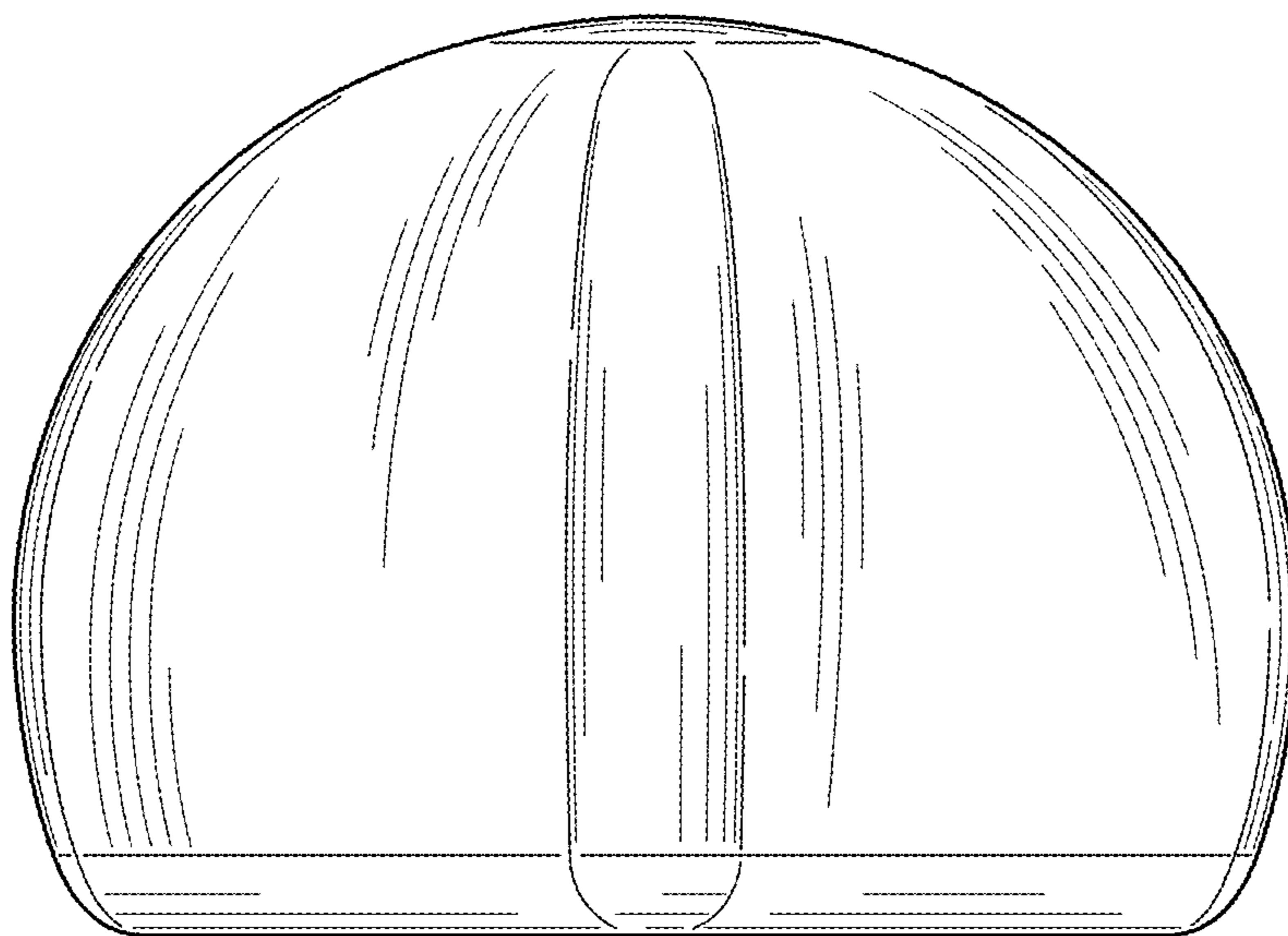


FIG. 2

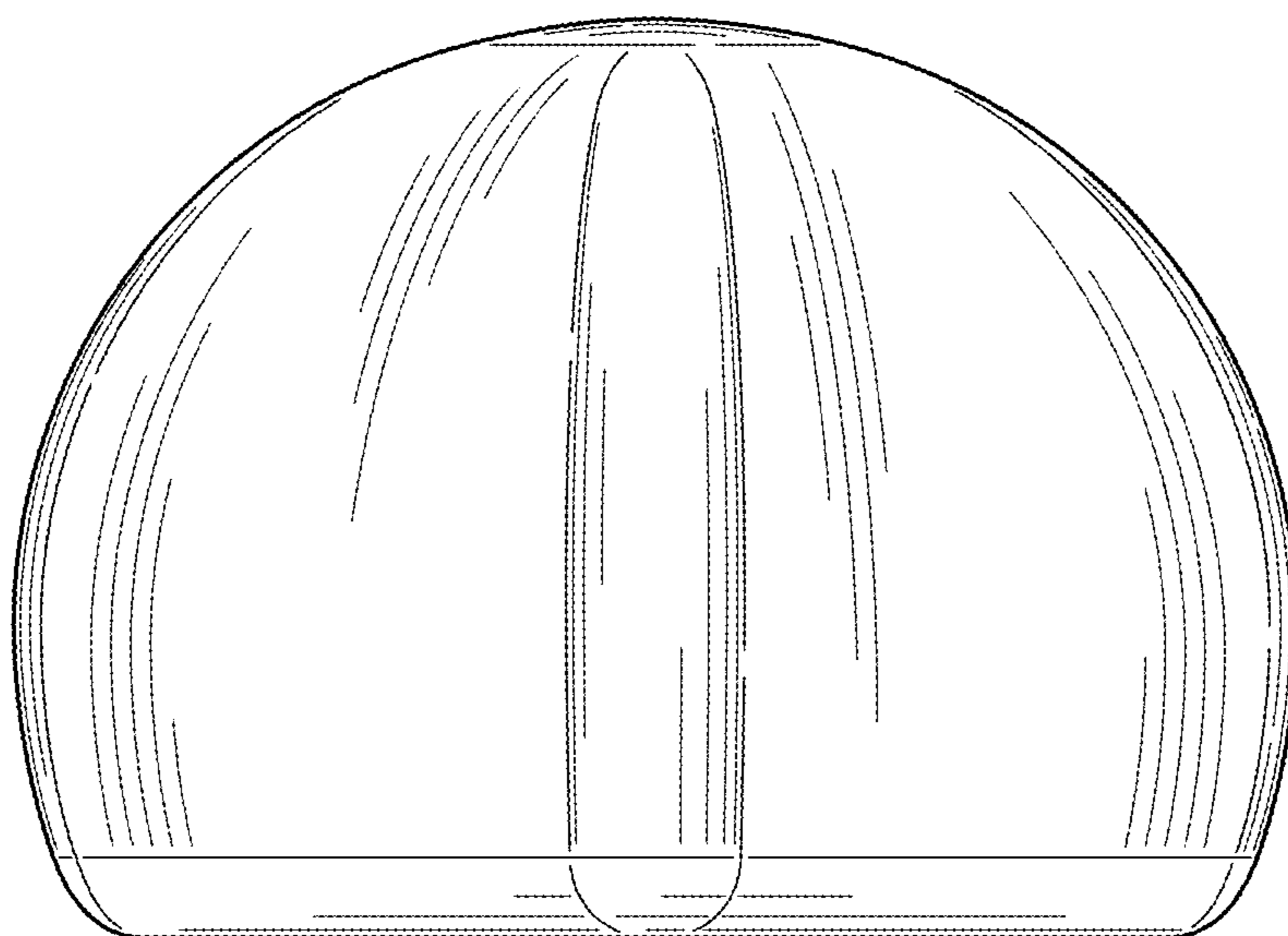


FIG. 3

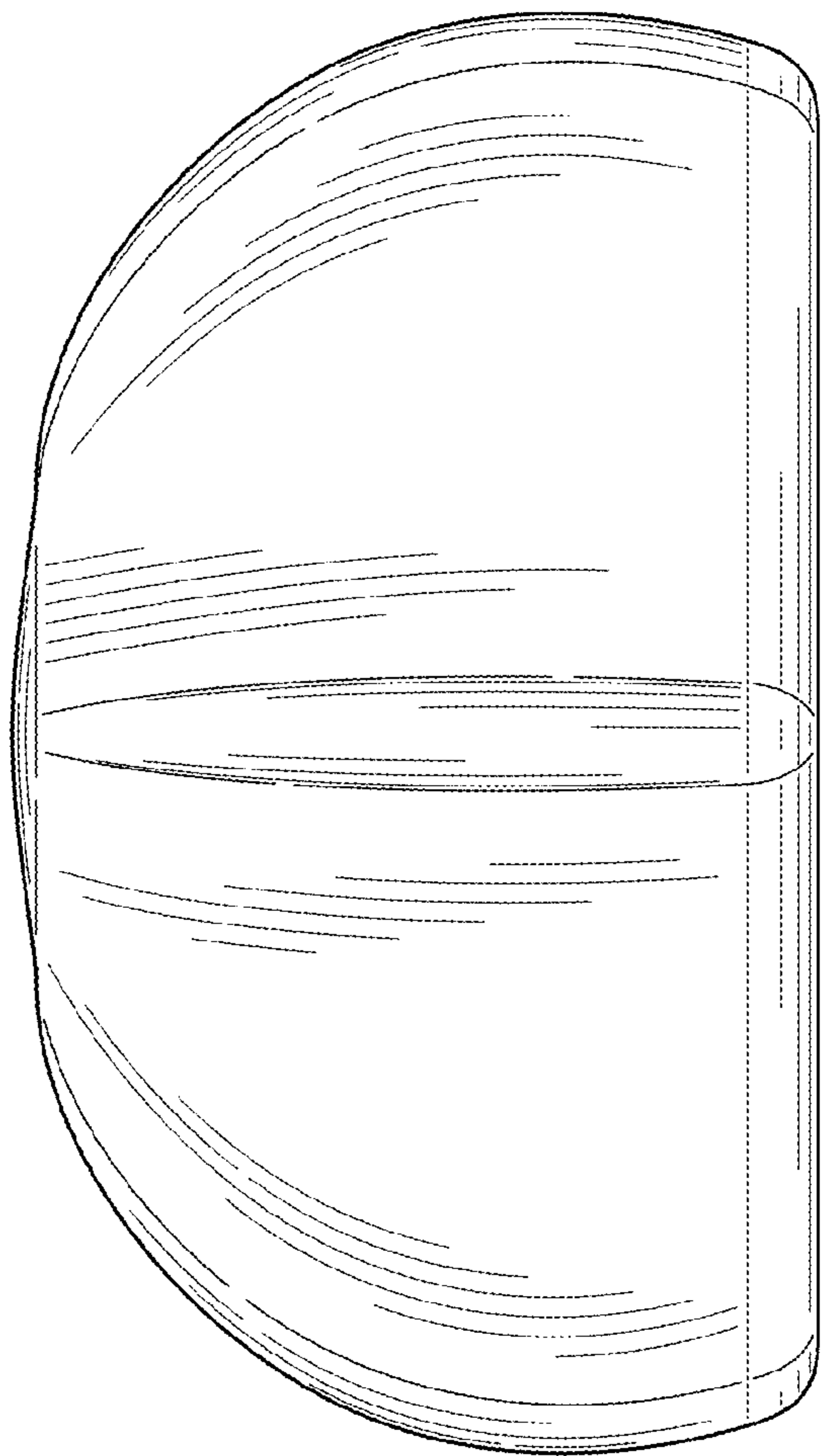


FIG. 4

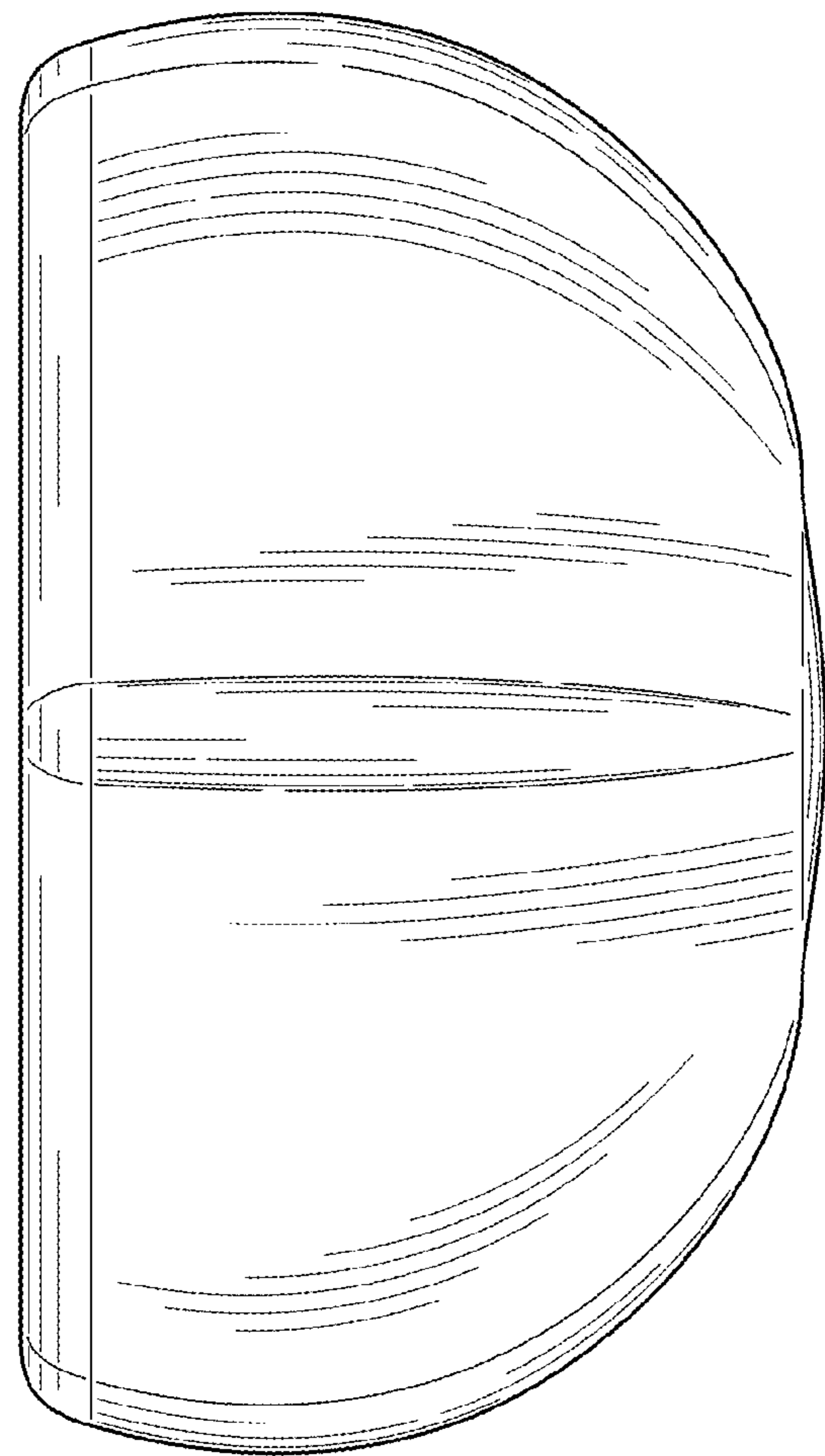


FIG. 5

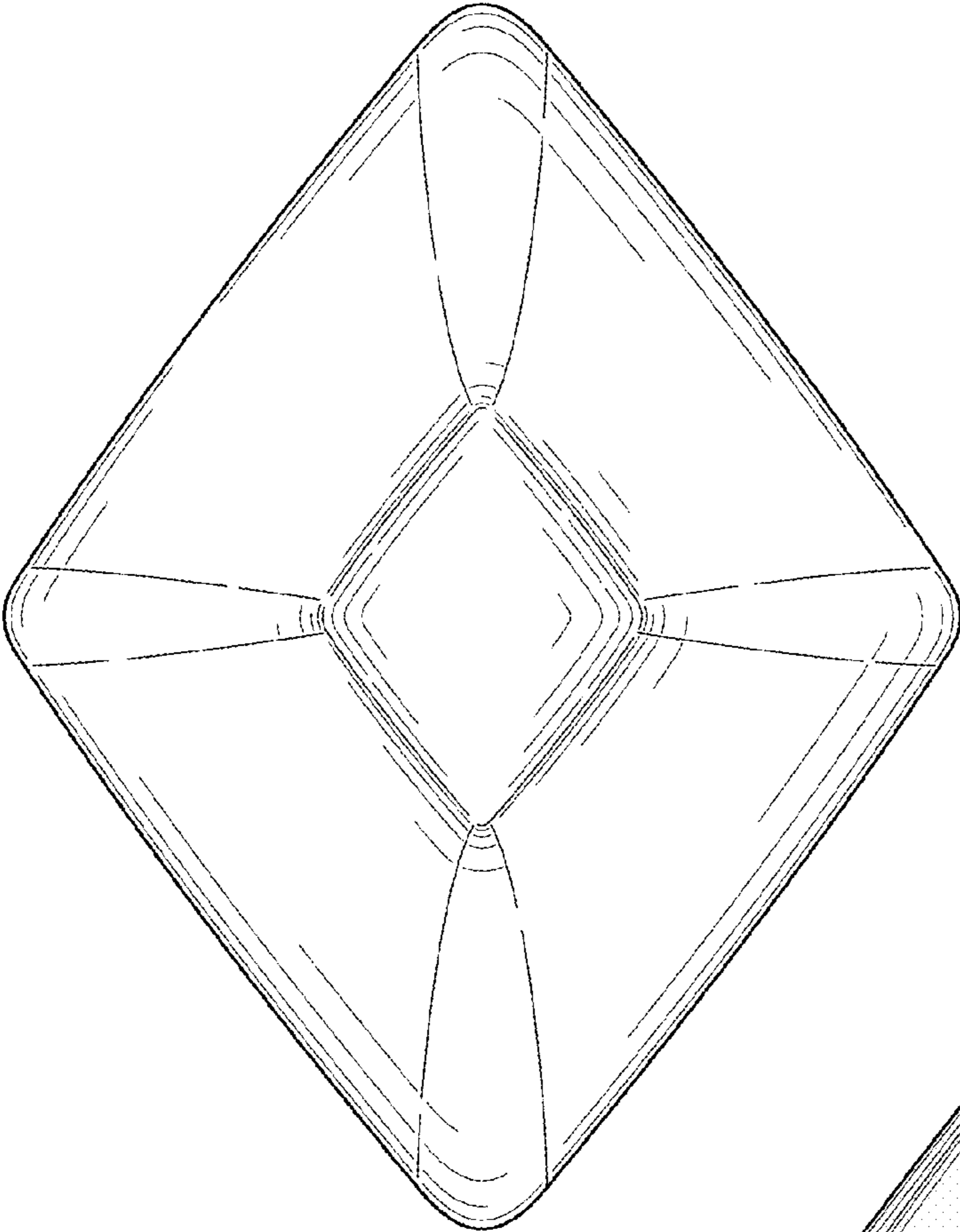


FIG. 6

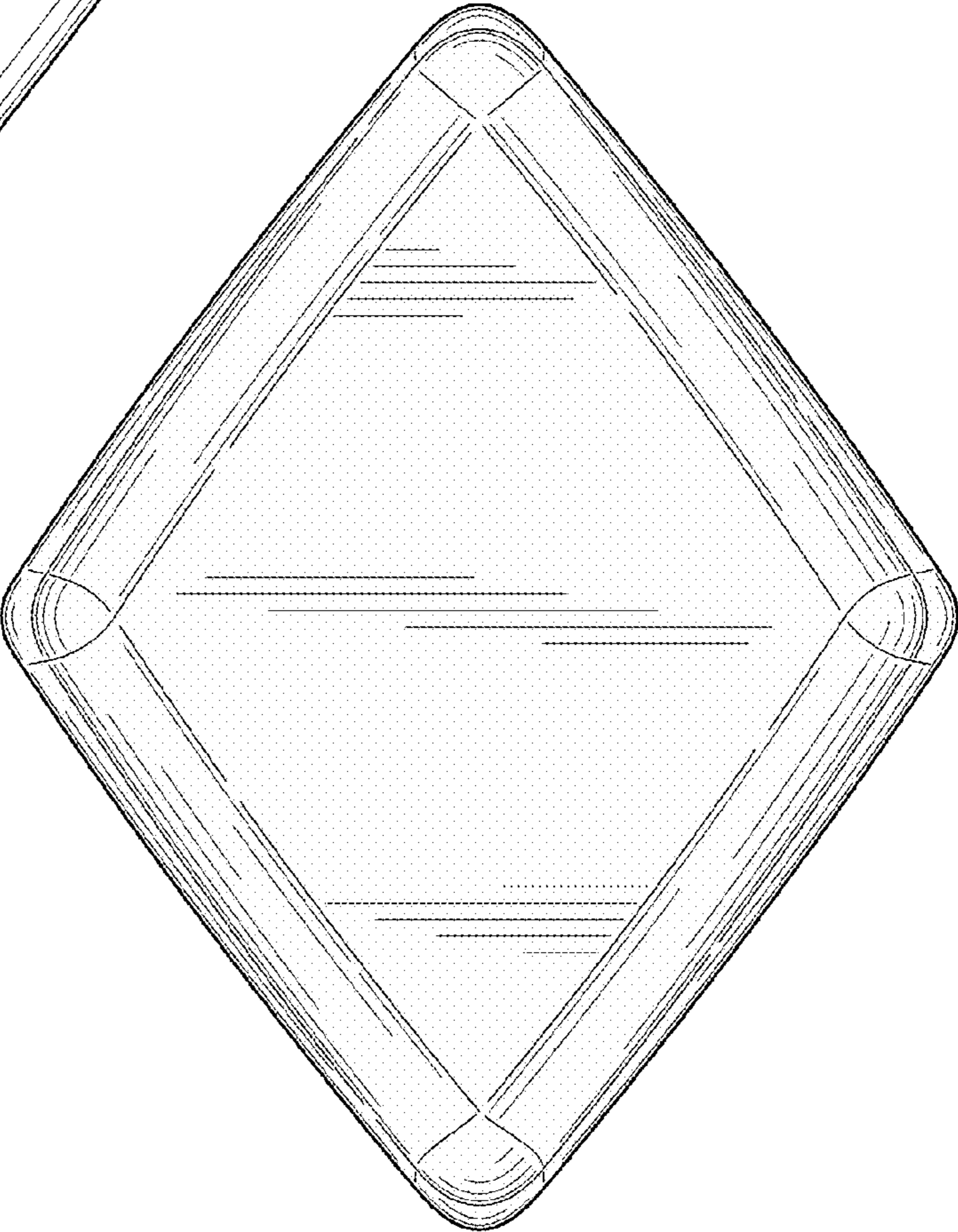


FIG. 7