



US00D957085S

(12) **United States Design Patent**
Lu

(10) **Patent No.:** **US D957,085 S**
(45) **Date of Patent:** **** Jul. 5, 2022**

- (54) **PORTABLE BIOMETRIC SAFE**
- (71) Applicant: **Jing Lu**, Ningbo (CN)
- (72) Inventor: **Jing Lu**, Ningbo (CN)
- (73) Assignee: **NINGBO YINZHOU RUNPING TRADING CO. LTD.**, Ningbo (CN)
- (**) Term: **15 Years**
- (21) Appl. No.: **29/729,200**
- (22) Filed: **Mar. 25, 2020**
- (51) **LOC (13) Cl.** **99-00**
- (52) **U.S. Cl.**
USPC **D99/28**
- (58) **Field of Classification Search**
USPC D99/28, 34, 35, 36, 43, 99; D3/900, 901, D3/902, 903, 905; D18/3.1, 3.3, 12.1
CPC A45C 1/12; A45C 2001/125; A45C 2001/102; A45C 2001/104; A45C 2001/006; A45C 2001/003; A45C 2001/105; A45C 2001/107; E05G 1/00; E05G 1/005; E05G 1/024; E05G 1/026; E05G 5/00; E05G 7/00; E05G 7/001; E05G 2700/00; E05G 2700/02; B63C 7/30; G07D 9/00; G07D 9/002; G07D 9/004; G07D 9/006; G07D 9/008; G07D 9/02; G07D 9/04; G07D 9/06; G07D 9/065; G07D 11/00; G07D 11/0021; G07D 13/00; G07D 2201/00; G07D 2211/00; G07F 9/06; G07F 9/08
See application file for complete search history.

- D817,589 S * 5/2018 Culbreth D99/28
 - 10,253,529 B1 * 4/2019 McGinn E05B 47/0001
 - D858,989 S * 9/2019 Kim D3/294
 - D866,913 S * 11/2019 Xu D99/28
 - D893,123 S * 8/2020 Yu D99/28
- (Continued)

OTHER PUBLICATIONS

RPNB Gun Safe, California DOJ Certified, Smart Pistol Safe Quick Access with Biometric Fingerprint, Handgun Safe for Nightstand, Security Firearm Safe with LED Light, 11.8" x 7.8" x 2.2, https://www.amazon.com/RPNB-California-Certified-Fingerprint-Nightstand/dp/B083PYT8CV/ref=sr_1_28?crd, Jan. 10, 2020. (Year: 2020).*

Primary Examiner — Elizabeth J Oswecki
(74) *Attorney, Agent, or Firm* — Dragon Sun Law Firm, PC; Jinggao Li, Esq.; Nathaniel Perkins

(57) **CLAIM**

The ornamental design for a portable biometric safe, as shown and described.

DESCRIPTION

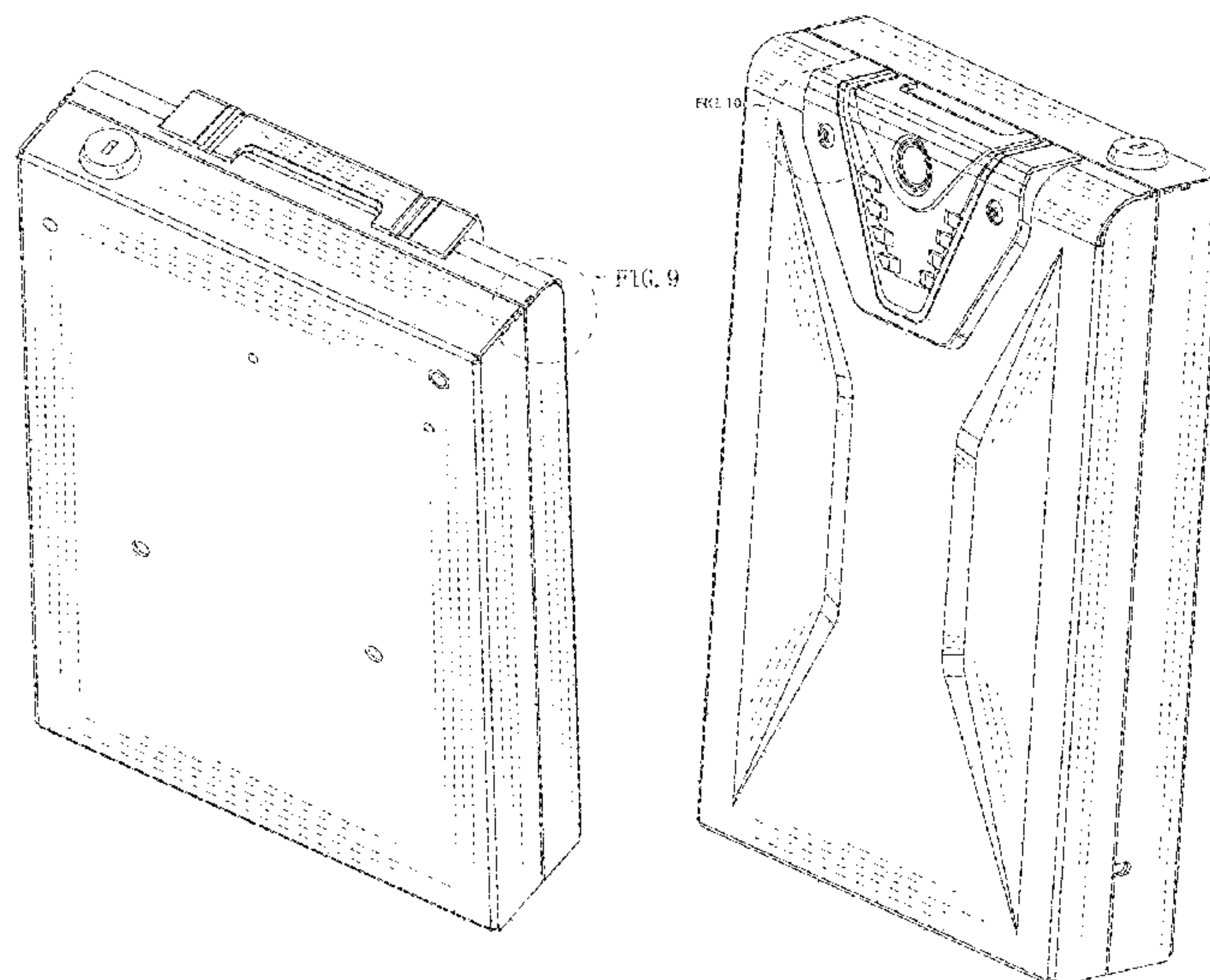
FIG. 1 is a top, rear and left side perspective view of a portable biometric safe showing my new design; FIG. 2 is a top, front and right side perspective view thereof; FIG. 3 is a front elevation view thereof; FIG. 4 is a rear elevation view thereof; FIG. 5 is a left side elevation view thereof; FIG. 6 is a right side elevation view thereof; FIG. 7 is a top plan view thereof; FIG. 8 is a bottom plan view thereof; FIG. 9 is an enlarged view of the portable biometric safe taken from the circle part in FIG. 1; and, FIG. 10 is an enlarged view of the portable biometric safe taken from the circle part in FIG. 2. The dashed-dot lines in FIGS. 1, 2, 9 and 10 illustrate the boundary line of the enlarged portion views of FIGS. 9 and 10.

1 Claim, 10 Drawing Sheets

(56) **References Cited**

U.S. PATENT DOCUMENTS

- D624,275 S * 9/2010 Min D99/28
- D635,324 S * 3/2011 Plato D99/28
- 8,074,477 B1 * 12/2011 Weiche F41C 33/06
70/14
- D803,508 S * 11/2017 Horn D99/28



(56)

References Cited

U.S. PATENT DOCUMENTS

D904,724	S *	12/2020	Zhang	D99/28
D912,365	S *	3/2021	Shen	D99/28
D913,625	S *	3/2021	D'Errico	D99/28
D920,623	S *	5/2021	Loeppert	D99/28
D920,624	S *	5/2021	Loeppert	D99/28
D924,535	S *	7/2021	Culbreth	D99/28
2012/0042703	A1 *	2/2012	Chang	E05B 19/0005 70/63
2014/0311390	A1 *	10/2014	Blankenship	E05B 37/0034 109/59 R
2016/0018186	A1 *	1/2016	Pikielny	F41A 17/44 206/317
2016/0377374	A1 *	12/2016	Pikielny	H02J 7/0027 206/216
2018/0080259	A1 *	3/2018	Yuan	A45C 13/18
2018/0274281	A1 *	9/2018	Bernkrant	E05G 1/10
2018/0335275	A1 *	11/2018	Mack	E05B 47/0001
2019/0368260	A1 *	12/2019	Gilbert	E05G 1/10

* cited by examiner

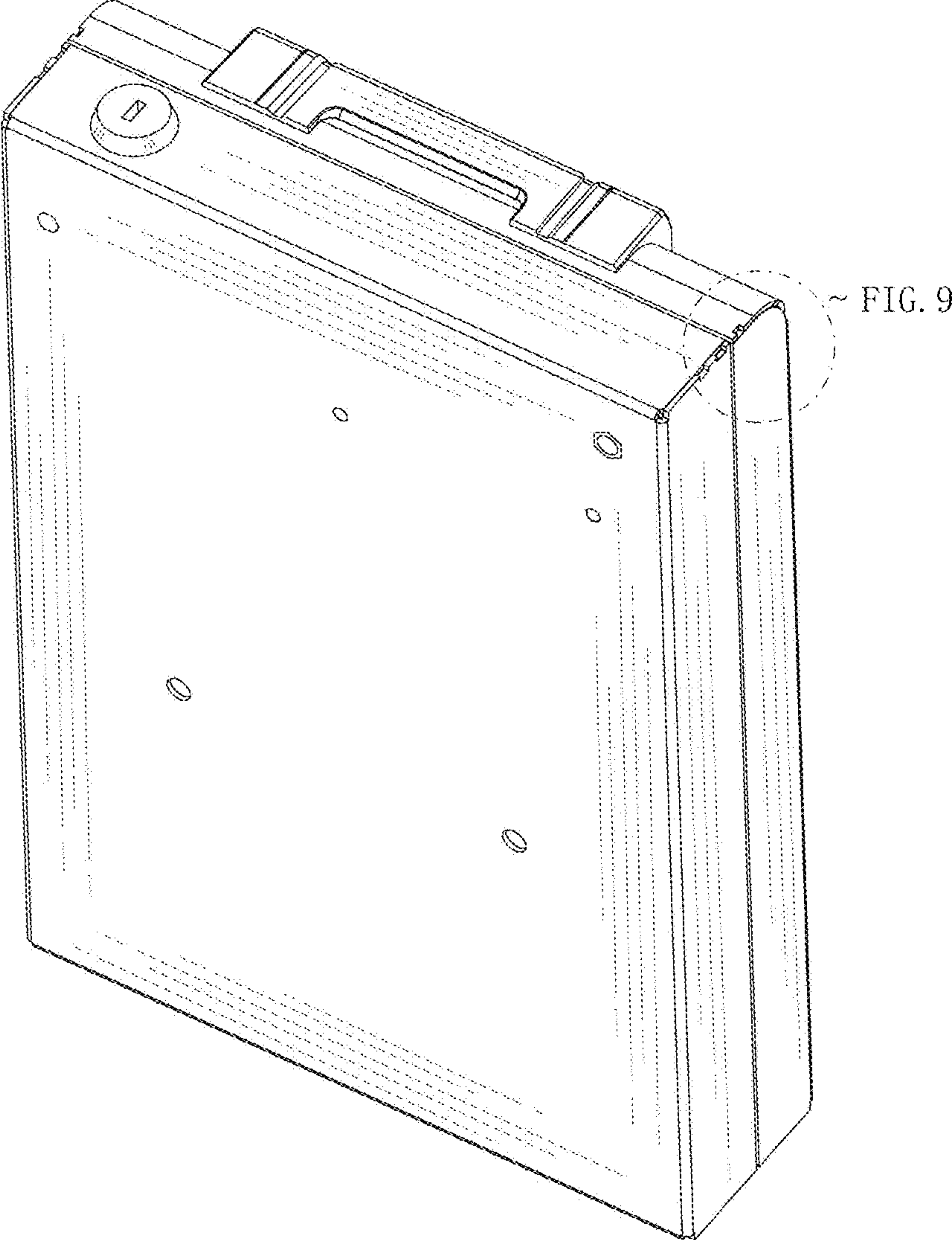


FIG. 1

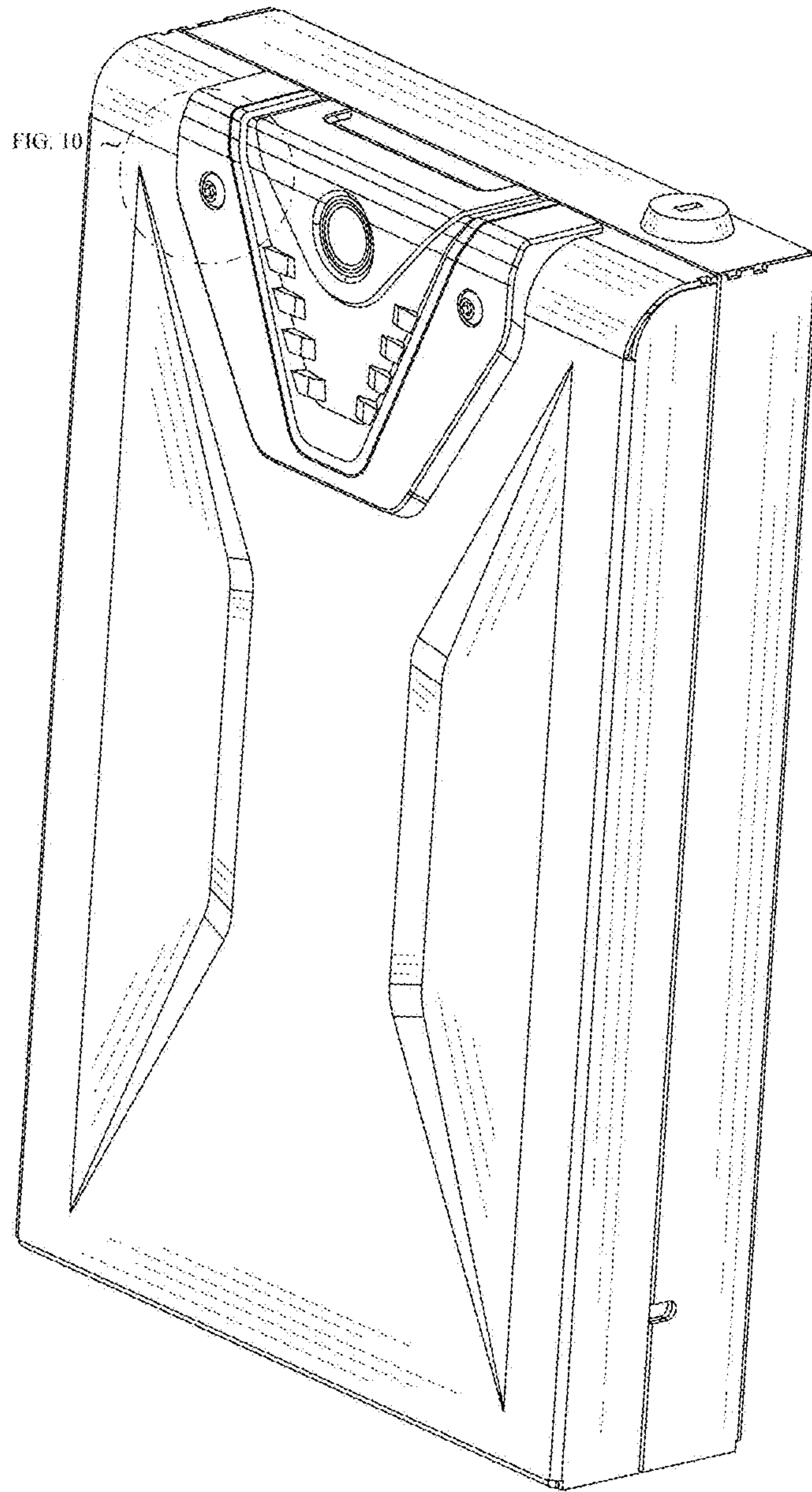


FIG. 2

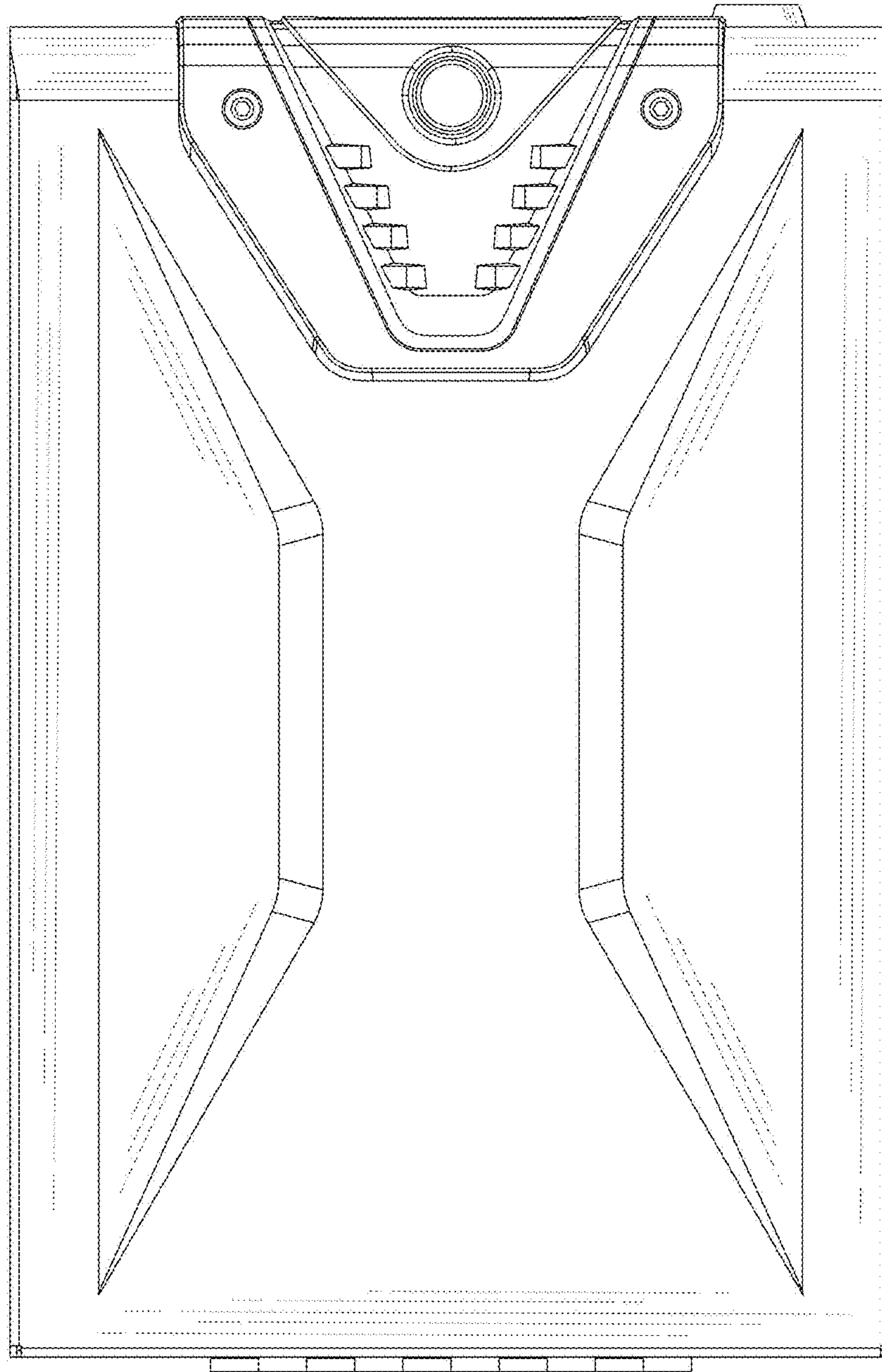


FIG. 3

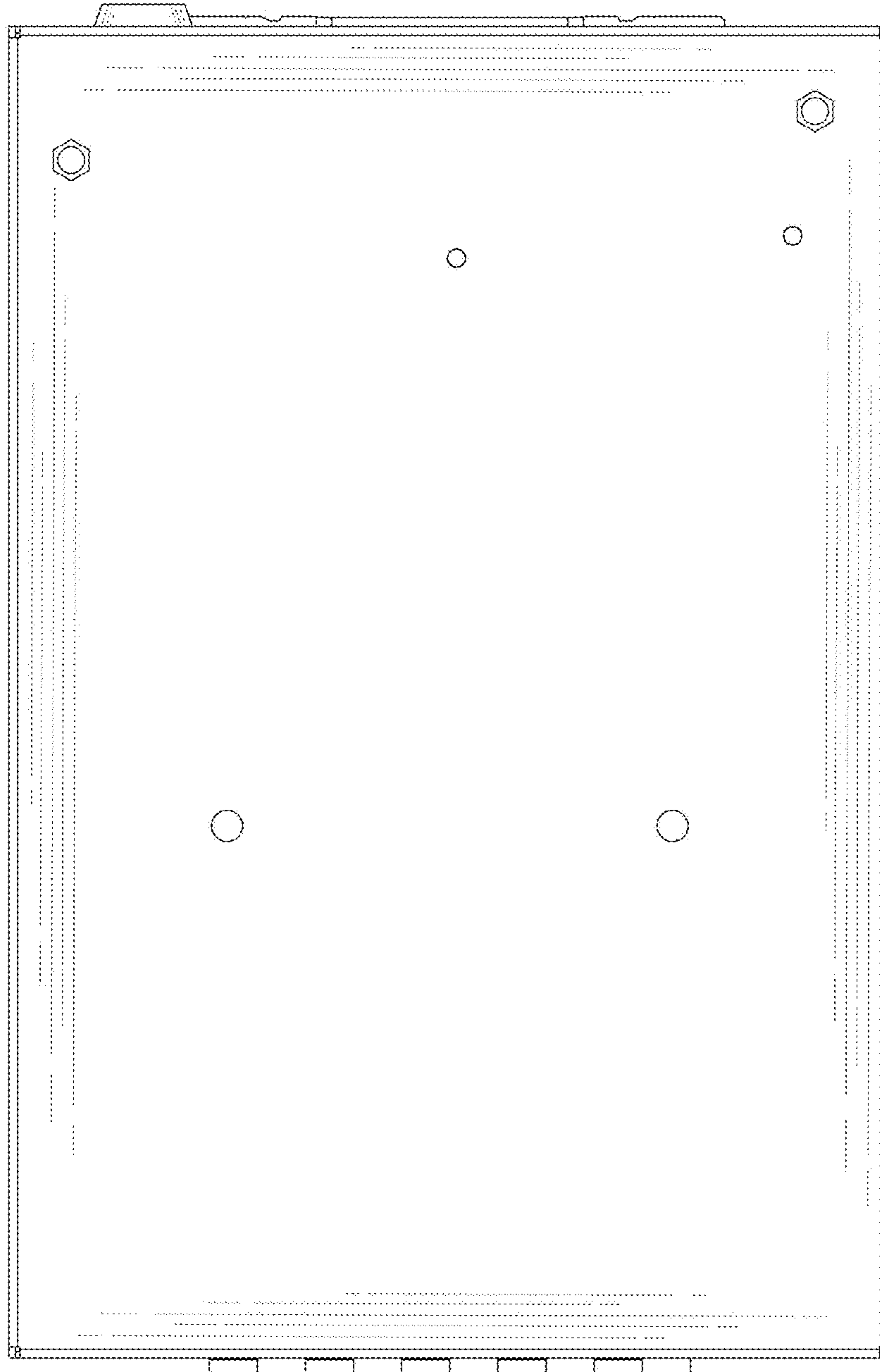


FIG. 4

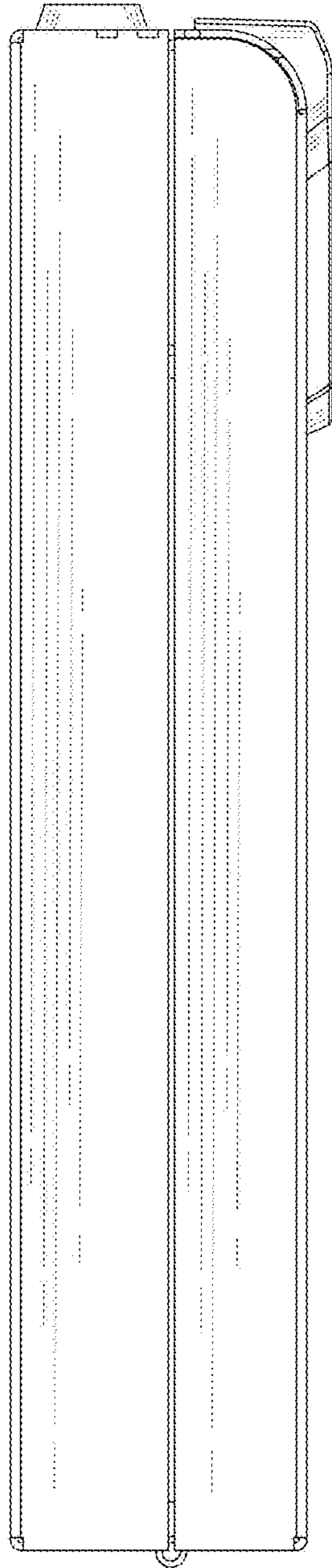


FIG. 5

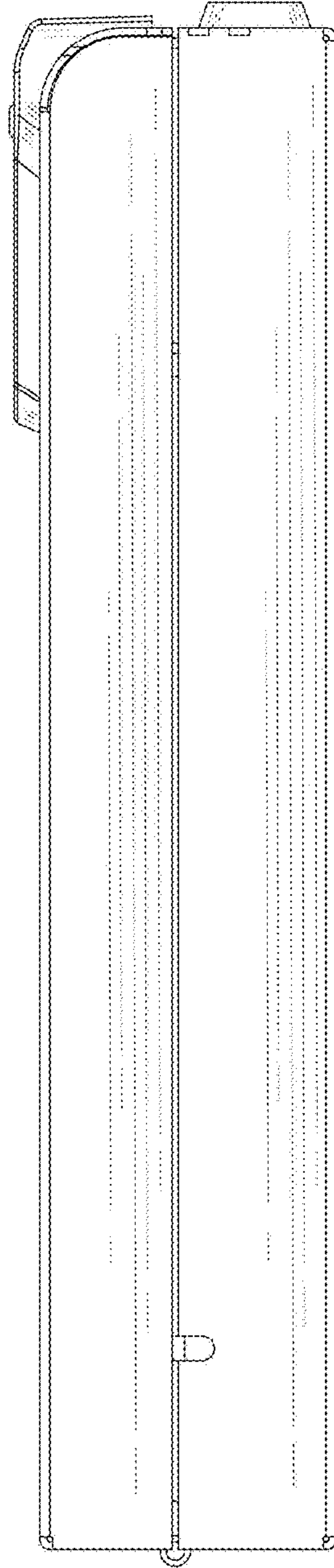


FIG. 6

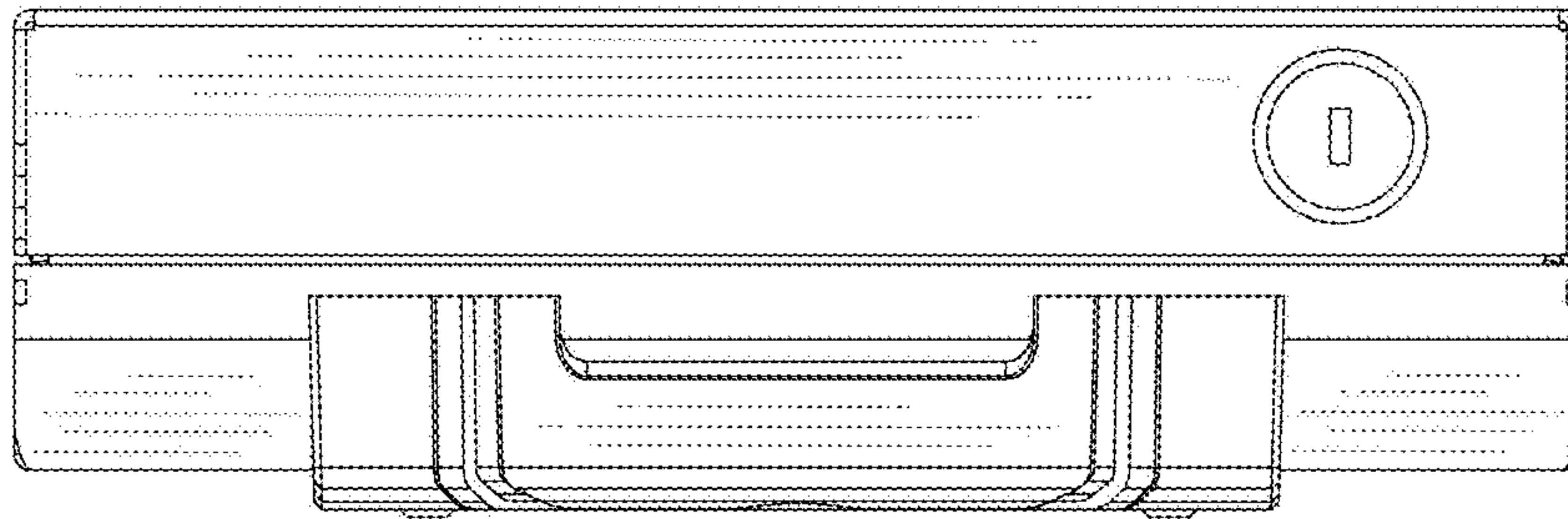


FIG. 7

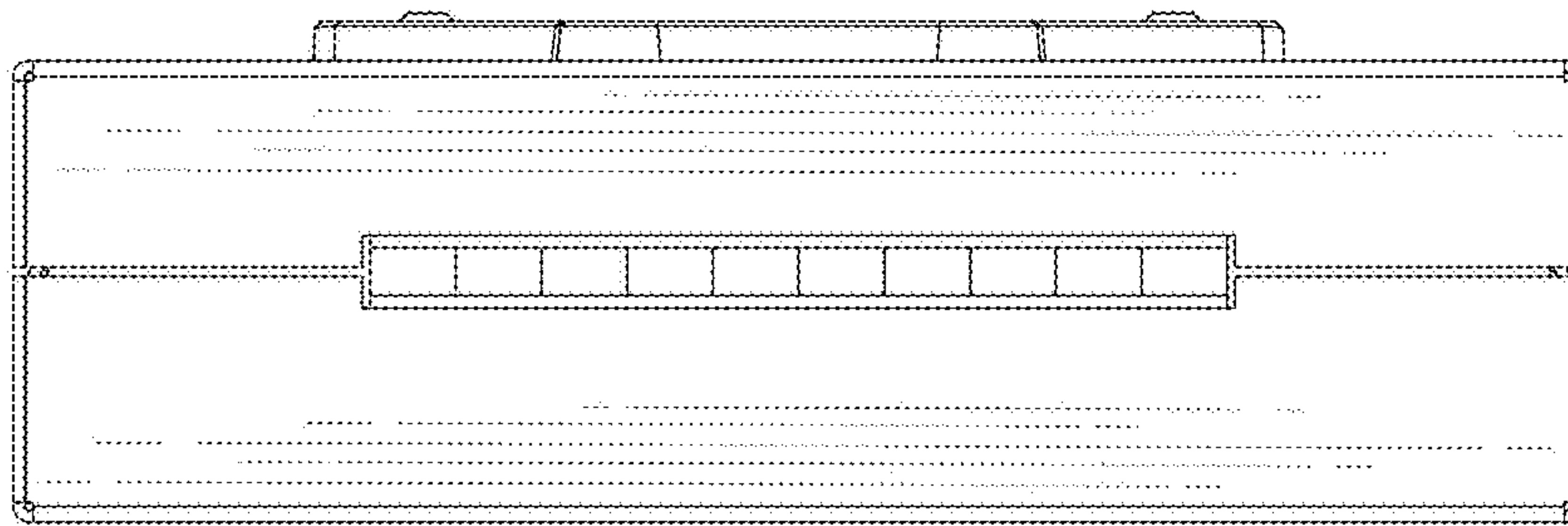


FIG. 8

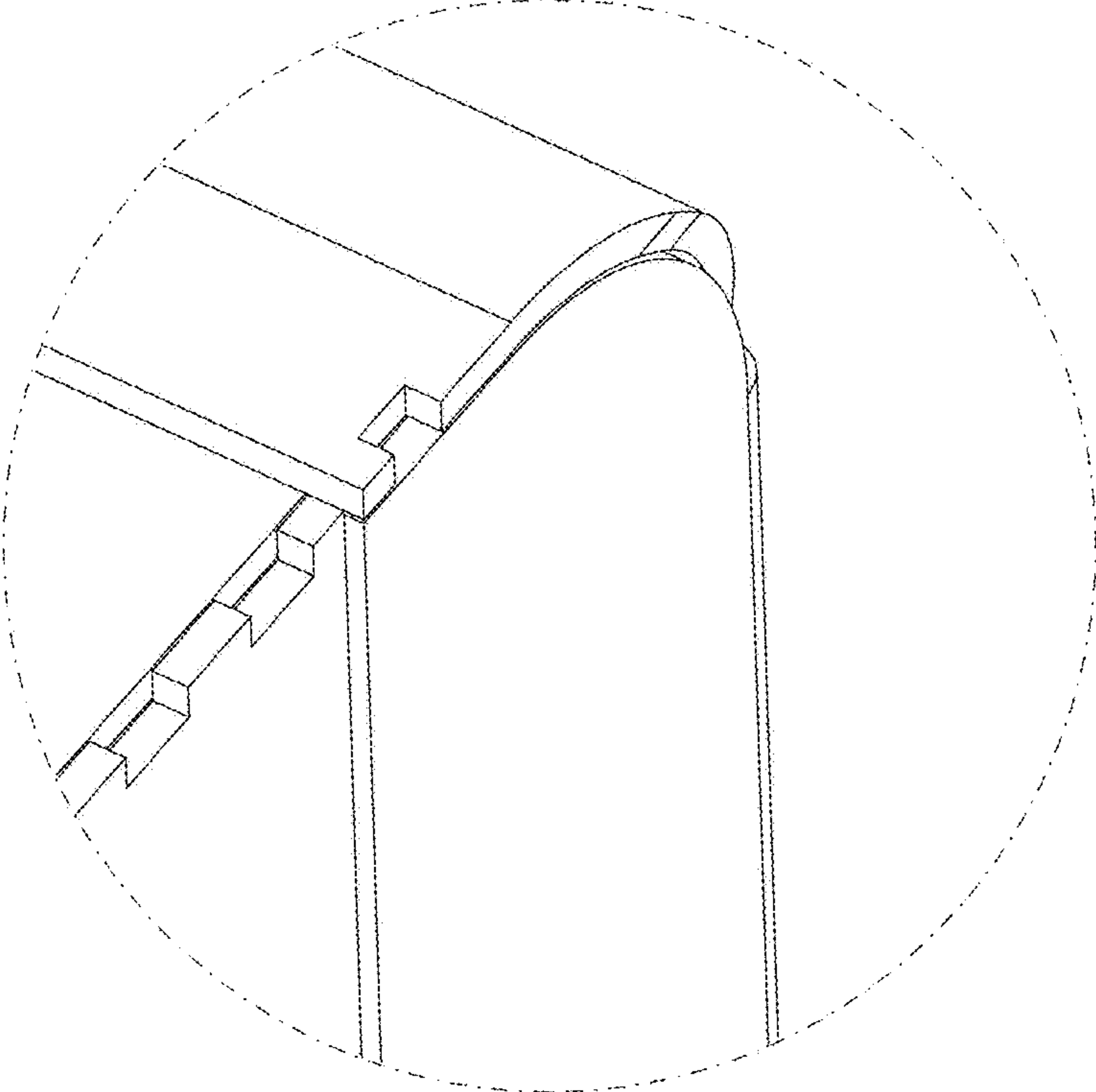


FIG. 9

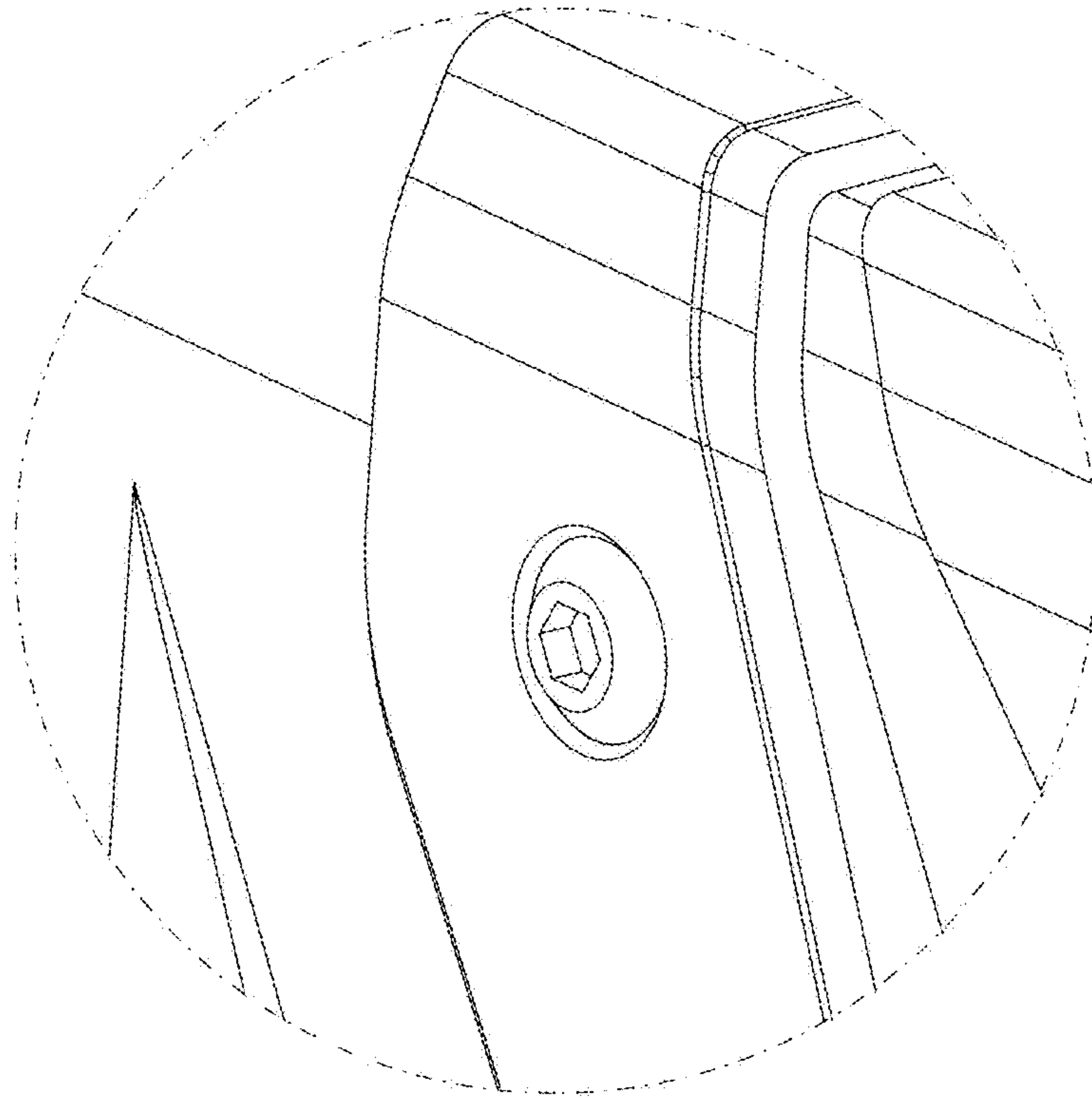


FIG. 10