



US00D957083S

(12) **United States Design Patent**  
**Elliott et al.**

(10) **Patent No.:** **US D957,083 S**  
(45) **Date of Patent:** **\*\* Jul. 5, 2022**

(54) **WINCH**  
(71) Applicant: **Forcome Co. Ltd.**, Shanghai (CN)  
(72) Inventors: **Ronald L. Elliott**, Oregon City, OR (US); **Weiguang Li**, Shanghai (CN)  
(73) Assignee: **Forcome Co. Ltd.**, Shanghai (CN)  
(\*\*) Term: **15 Years**

D799,143 S *	10/2017	Cui	.....	D34/33
D799,779 S *	10/2017	Aho	.....	D34/33
D811,685 S *	2/2018	Fretz	.....	D34/33
D888,360 S *	6/2020	Zheng	.....	D34/33
D896,463 S *	9/2020	Saeger	.....	D34/33
D898,321 S *	10/2020	Fretz	.....	D34/33
D898,322 S *	10/2020	Fretz	.....	D34/33
D903,221 S *	11/2020	Feng	.....	D34/33
D906,624 S *	12/2020	Wilcox	.....	D34/33
D923,281 S *	6/2021	Wilcox	.....	D34/33
D923,906 S *	6/2021	Fogg	.....	D34/33
D932,727 S *	10/2021	Ye et al.	.....	D34/33

(21) Appl. No.: **29/730,579**  
(22) Filed: **Apr. 6, 2020**  
(51) **LOC (13) Cl.** ..... **12-05**  
(52) **U.S. Cl.**  
USPC ..... **D34/33**  
(58) **Field of Classification Search**  
USPC ..... D34/32, 33  
CPC ..... B66D 2700/00; B66D 1/12; B66D 1/00;  
B66D 1/14; B66D 1/005; B66D 3/18;  
B66D 3/20; B66D 5/34  
See application file for complete search history.

\* cited by examiner  
*Primary Examiner* — Cynthia Ramirez  
(74) *Attorney, Agent, or Firm* — McCoy Russell LLP

(56) **References Cited**

**U.S. PATENT DOCUMENTS**

D489,157 S *	4/2004	Lawson	.....	D34/33
D550,924 S *	9/2007	Huang	.....	D34/33
D703,414 S *	4/2014	Fretz	.....	D34/33
D740,513 S *	10/2015	Fretz	.....	D34/33
D744,189 S *	11/2015	Fretz	.....	D34/33
D771,897 S *	11/2016	Aho	.....	D34/33
D776,395 S *	1/2017	Fretz	.....	D34/33

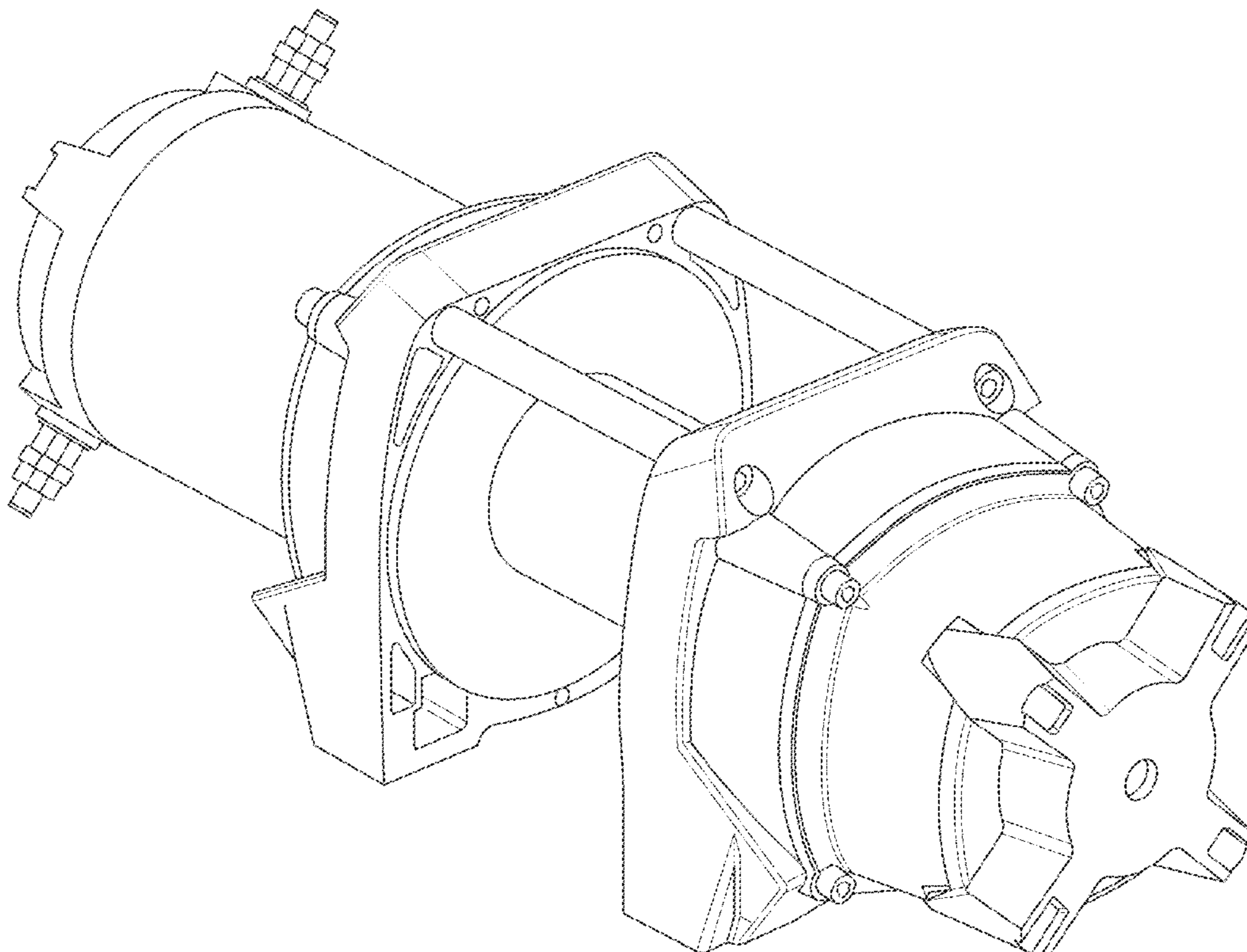
(57) **CLAIM**

The ornamental design for a winch, as shown and described.

**DESCRIPTION**

FIG. 1 is a front-left perspective view of a winch according to the claimed design.  
FIG. 2 is a front-right perspective view of the winch.  
FIG. 3 is a front view of the winch.  
FIG. 4 is a rear view of the winch.  
FIG. 5 is a right side view of the winch.  
FIG. 6 is a left side view of the winch.  
FIG. 7 is a top view of the winch; and,  
FIG. 8 is a bottom view of the winch.

**1 Claim, 8 Drawing Sheets**



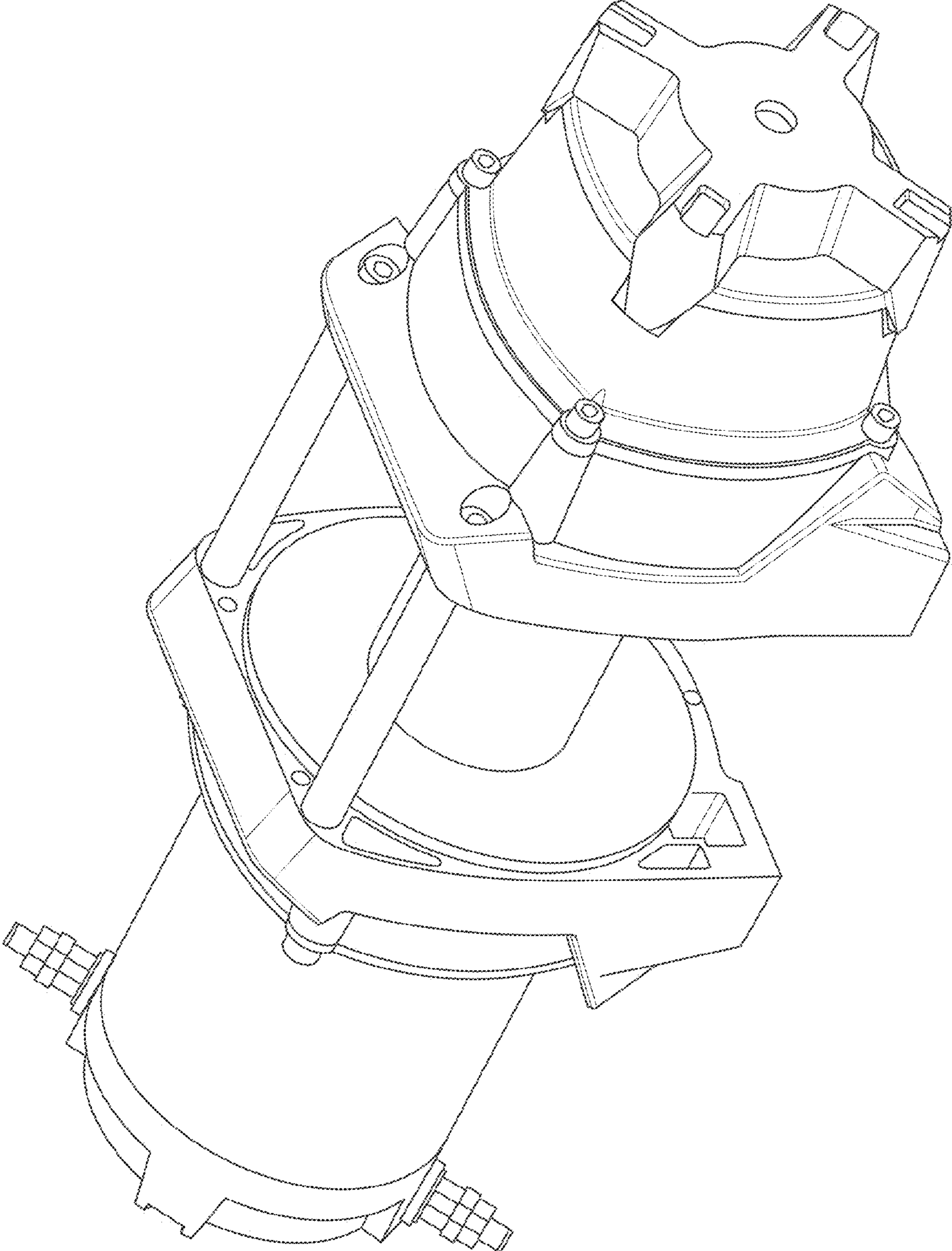


FIG. 1

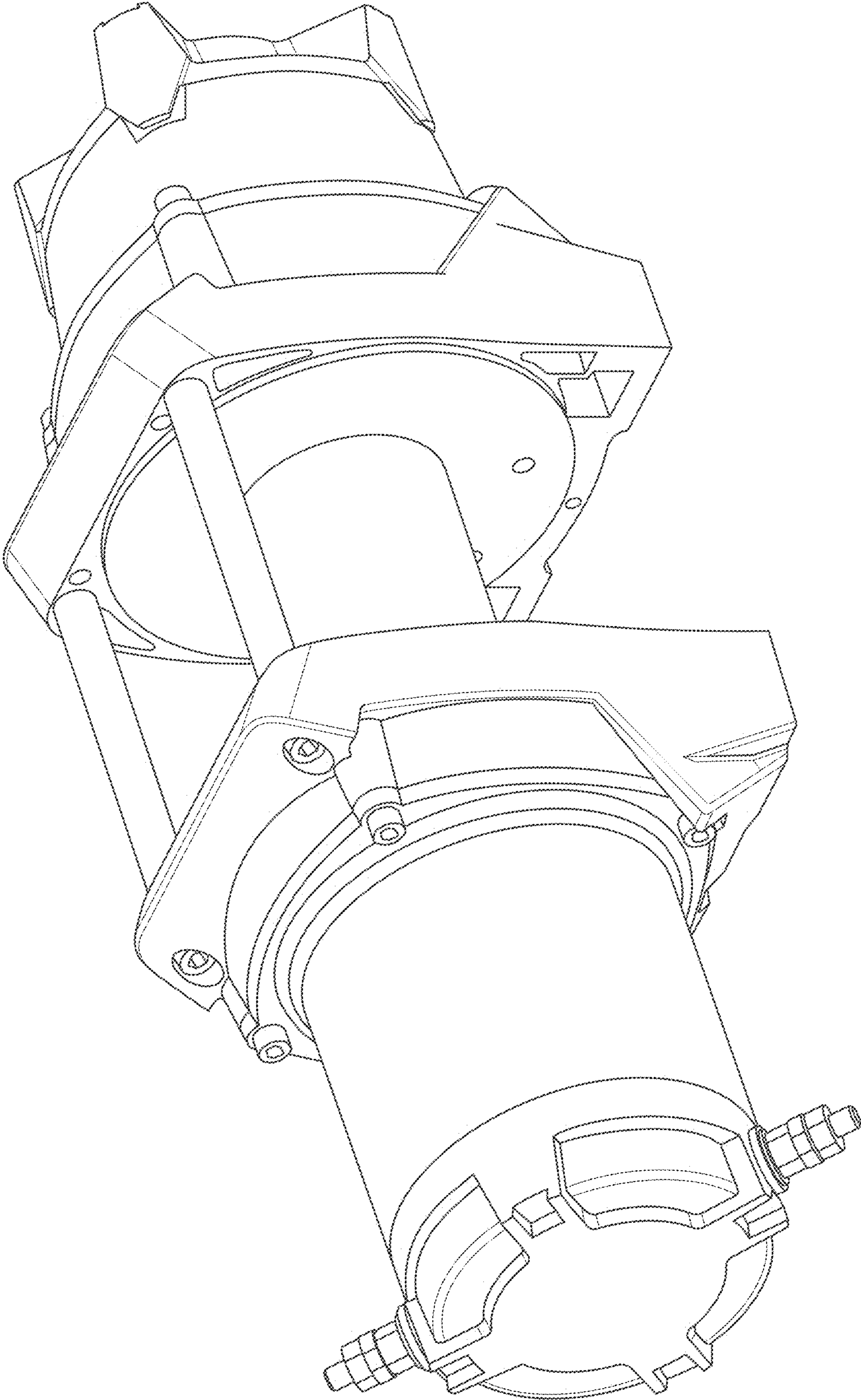


FIG. 2

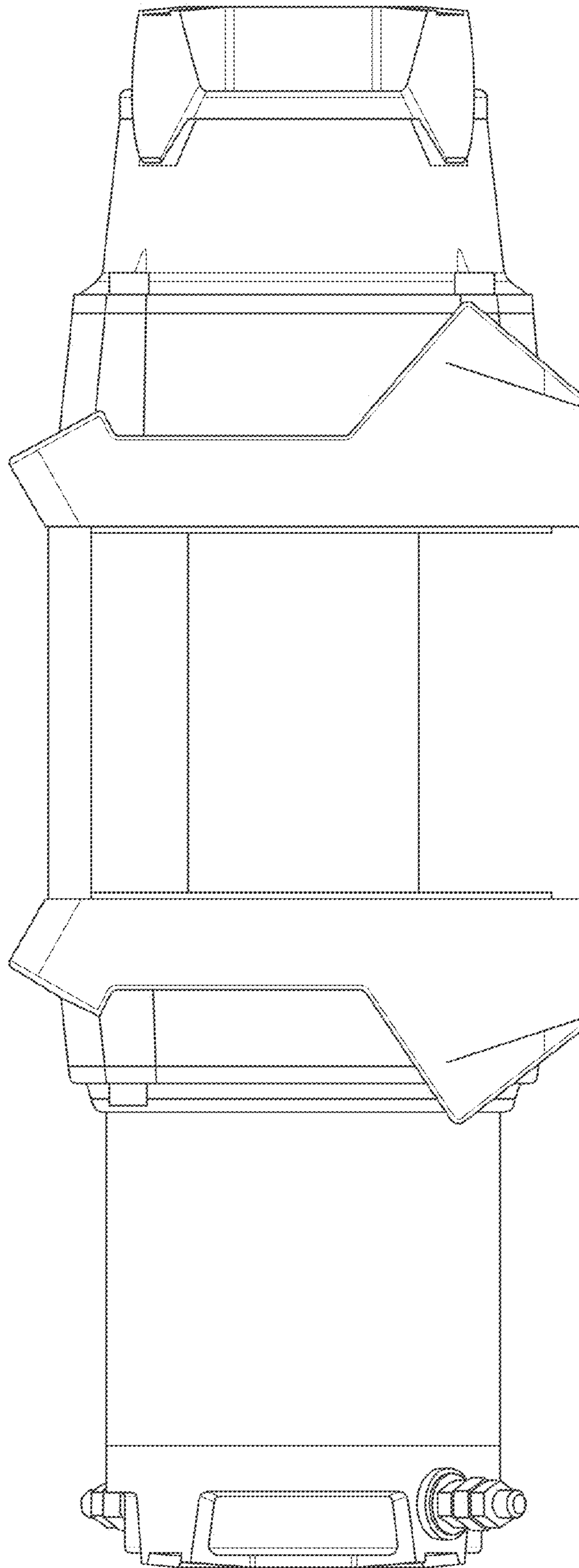


FIG. 3

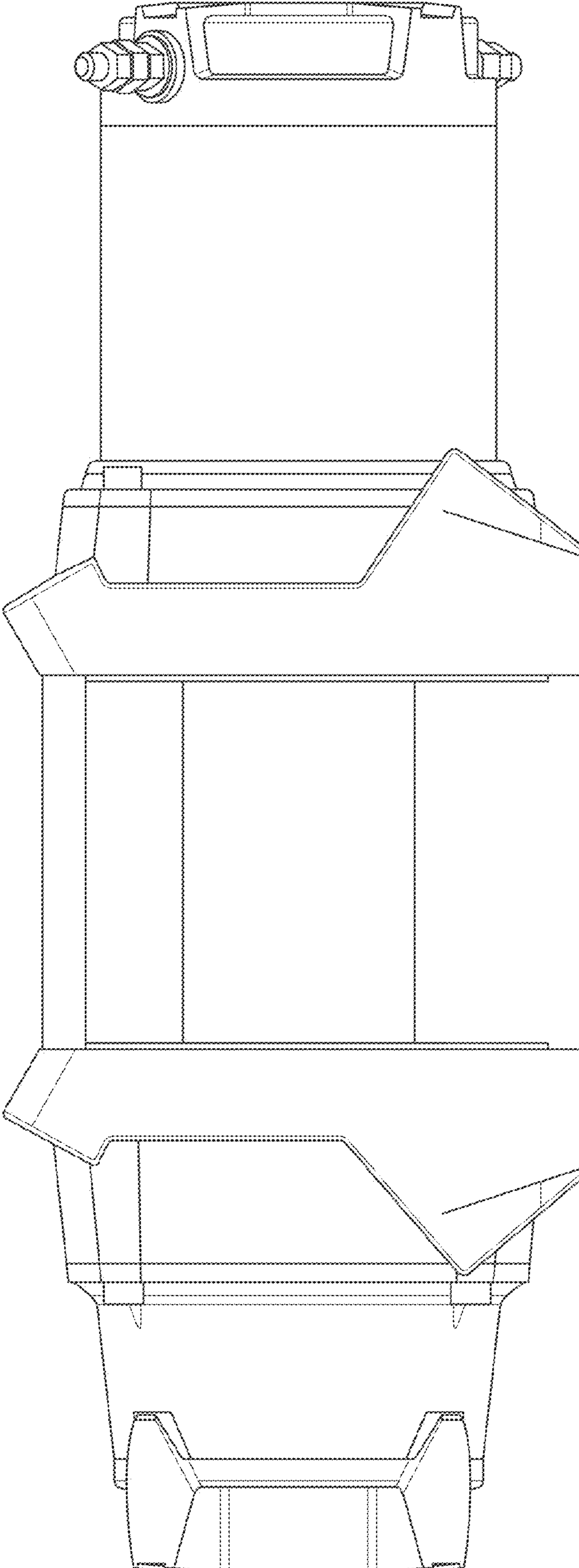


FIG. 4

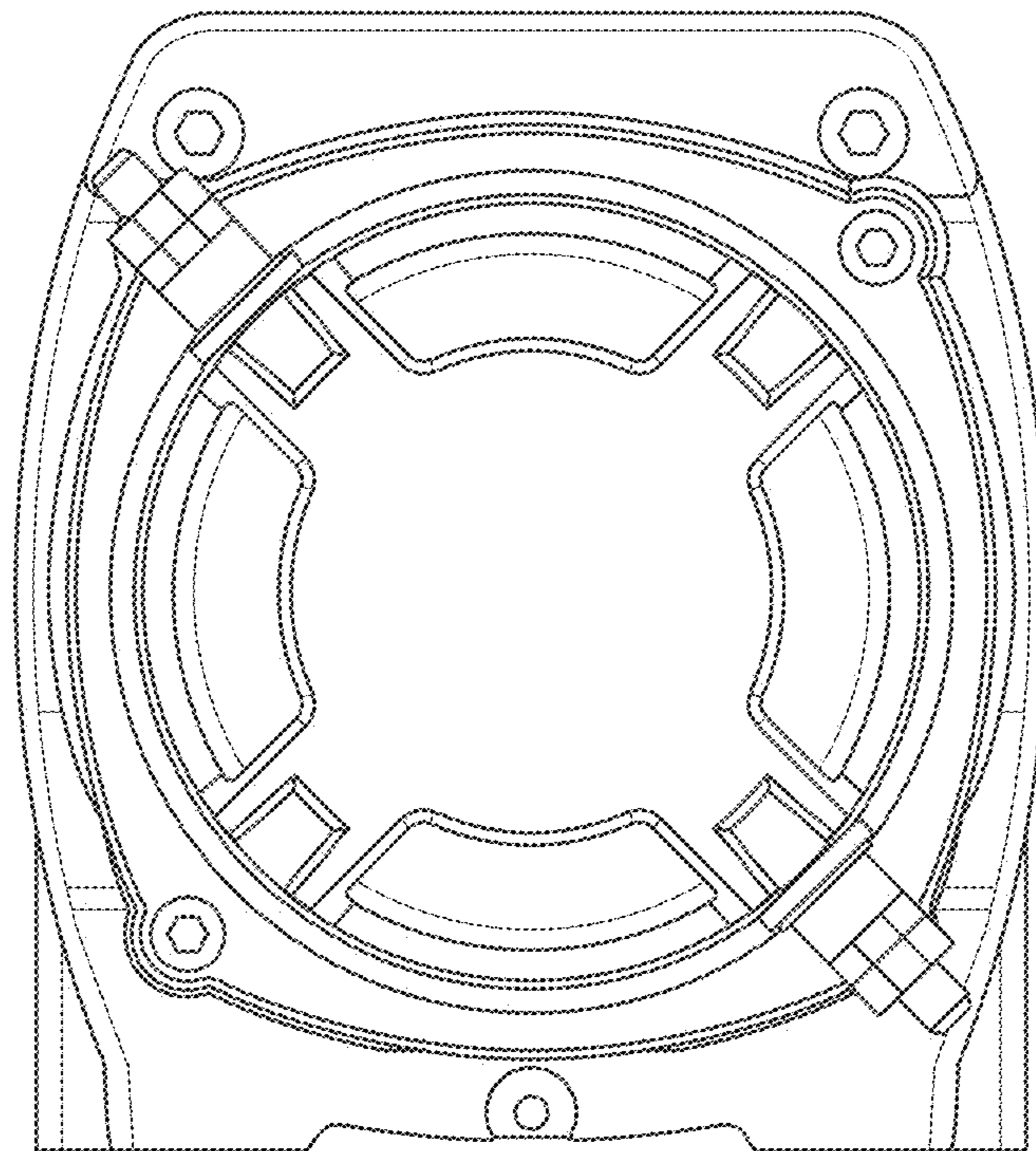


FIG. 5

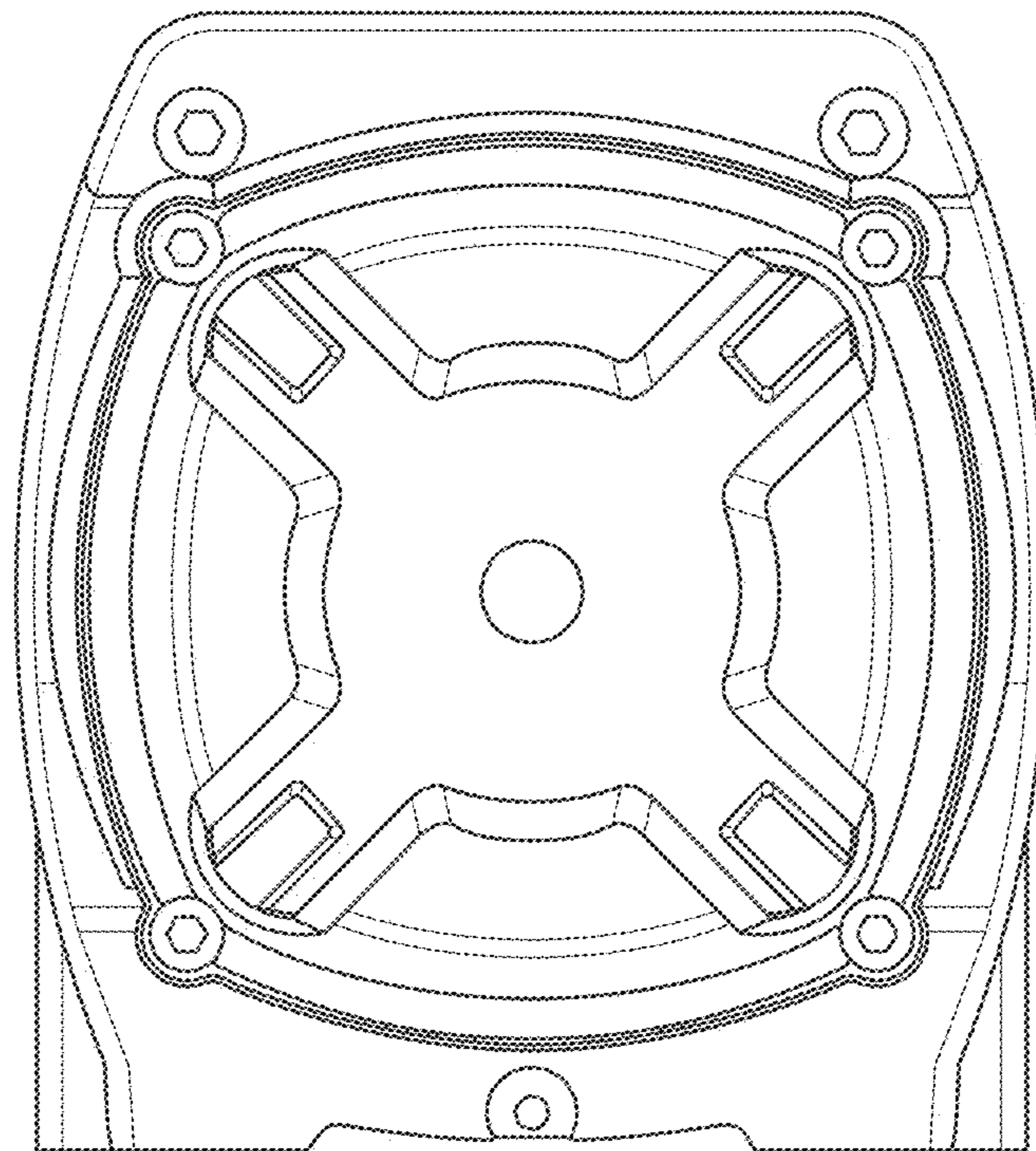


FIG. 6

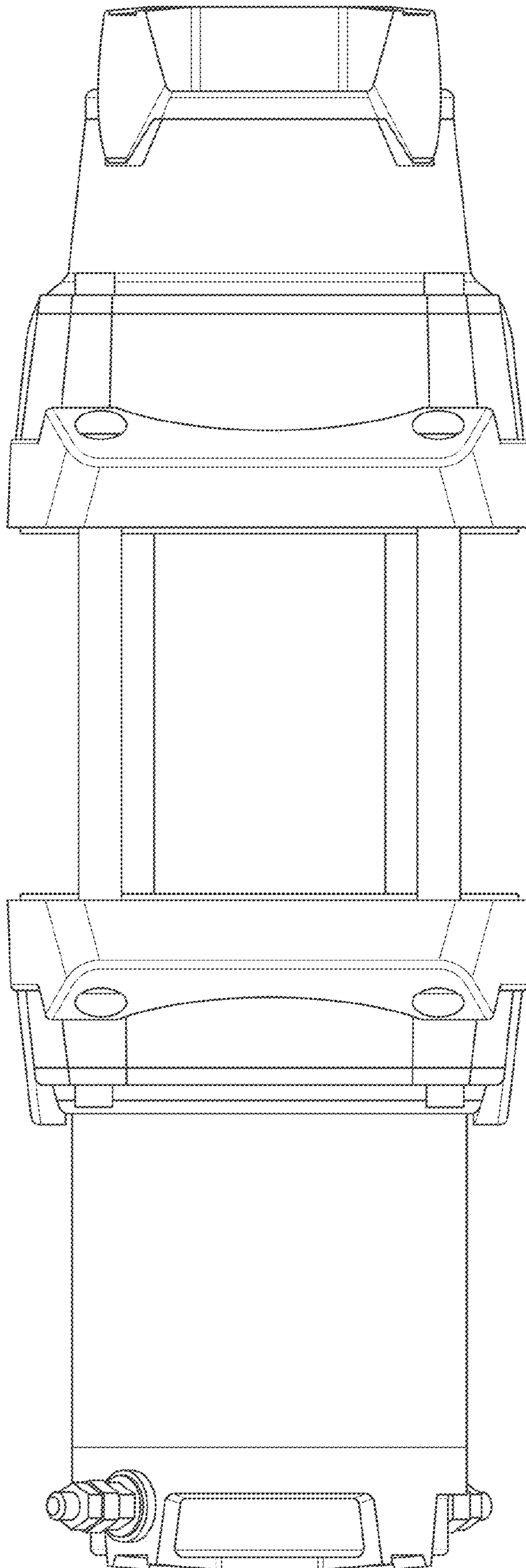


FIG. 7



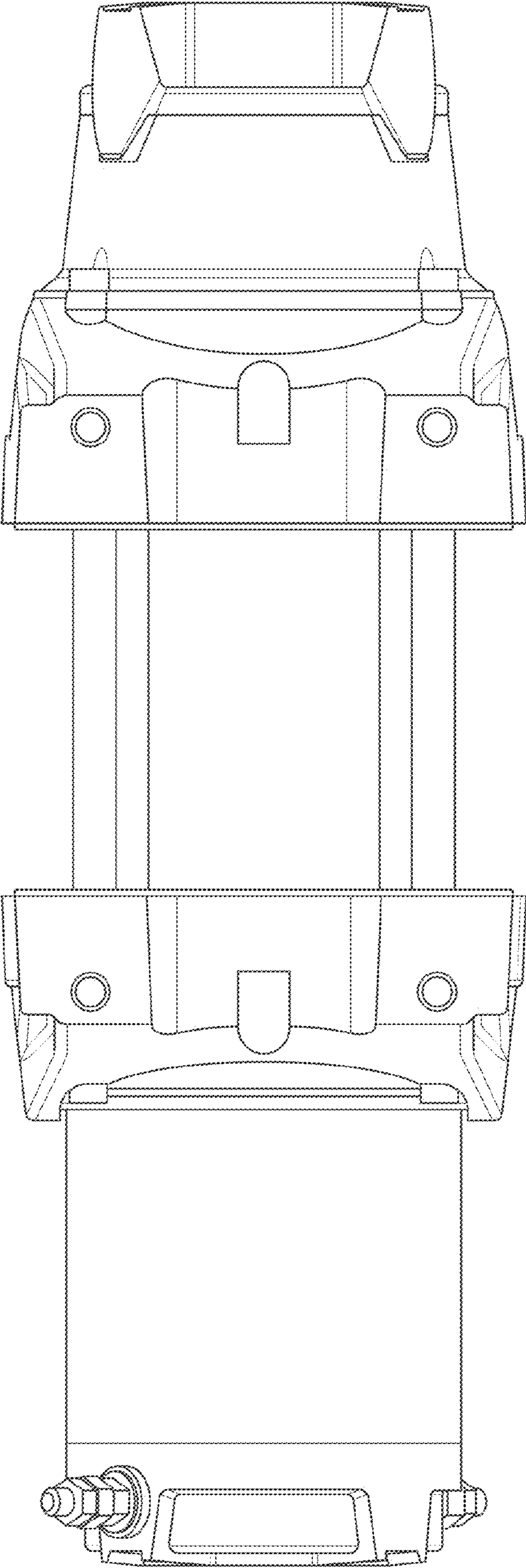


FIG. 8