



US00D957082S

(12) **United States Design Patent**
Chang Chien

(10) **Patent No.:** **US D957,082 S**
(45) **Date of Patent:** **** Jul. 5, 2022**

- (54) **CART**
 - (71) Applicant: **EP Family Corp.**, Walnut, CA (US)
 - (72) Inventor: **Peiling Chang Chien**, Walnut, CA (US)
 - (**) Term: **15 Years**
 - (21) Appl. No.: **29/746,724**
 - (22) Filed: **Aug. 17, 2020**
 - (51) **LOC (13) Cl.** **12-02**
 - (52) **U.S. Cl.**
USPC **D34/21**
 - (58) **Field of Classification Search**
USPC D34/12, 14, 17, 27, 7, 18, 19, 20, 21
CPC B62B 3/02; B62B 3/002; B62B 3/006;
B62B 3/10; B62B 3/106; B62B 3/04;
B62B 1/10; B62B 1/264; B62B 1/14;
B62B 1/12; B62B 1/047; B62B 1/04;
B62B 5/002
- See application file for complete search history.

Ubuy.com, 3 tier rolling cart with table top rolling storage cart with handles ad locking wheels, Apr. 27, 2022, <https://www.u-buy.co.uk/search/index/view/product/B09368T1F9> (Year: 2022).*

Amazon.com Apr. 27, 2022, 3 tier rolling carts with wheels storage cart makeup cart with roller wheels mobile storage, <https://www.amazon.com/dp/B089W25HLL> (Year: 2022).*

Amazon.com Apr. 27, 2022, CAXXA 3-tier rolling metal storage organizer, <https://www.amazon.com/CAXXA-3-Tier-Rolling-Storage-Organizer/dp/B07JJMYQ8G> (Year: 2022).*

Walmart.com Apr. 27, 2022, Exquisite honeycomb net three tiers storage cart, <https://www.walmart.com/ip/Exquisite-Honeycomb-Net-Three-Tiers-Storage-Cart-with-Hook-Black/927890070> (Year: 2022).*

* cited by examiner

Primary Examiner — Cynthia Ramirez
(74) *Attorney, Agent, or Firm* — Tommy S F Wang;
Wang IP Law Group, P.C.

(57) **CLAIM**

The ornamental design for a cart, as shown and described.

(56) **References Cited**

U.S. PATENT DOCUMENTS

D757,387 S *	5/2016	Cao	D34/21
D831,292 S *	10/2018	Thuma	D34/12
D846,823 S *	4/2019	Villanova Abadia	D34/17
D846,824 S *	4/2019	Cao	D34/12
D846,825 S *	4/2019	Cao	D34/21
D852,449 S *	6/2019	Hu	D34/21
D858,928 S *	9/2019	Cao	D34/21
D902,521 S *	11/2020	Tsai	D34/21
D945,106 S *	3/2022	Gao	D34/21
D948,833 S *	4/2022	Zhai	D34/21
D948,834 S *	4/2022	Zhao	D34/21

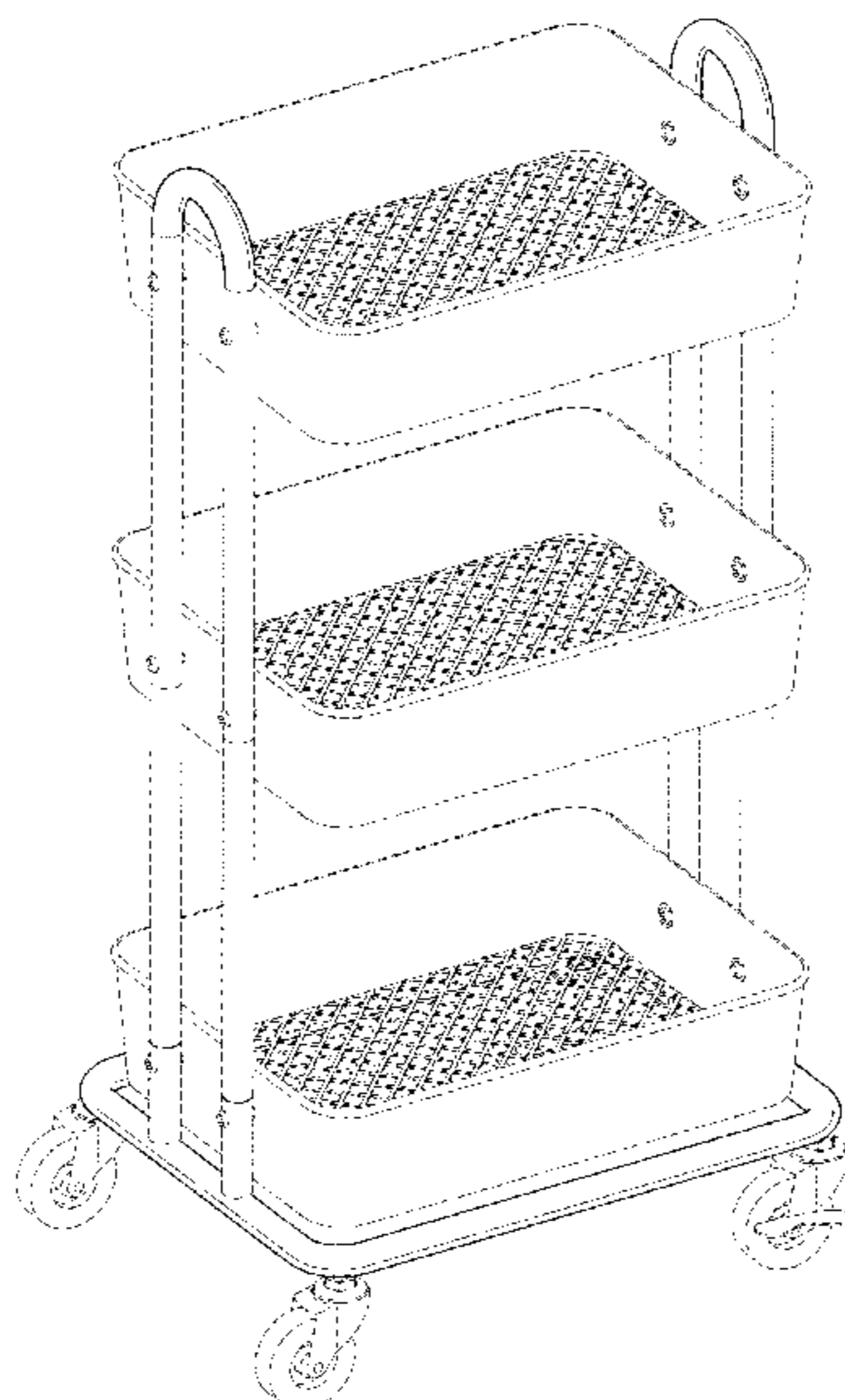
OTHER PUBLICATIONS

Danpinera 3 tier rolling utility cart with wheels Apr. 27, 2022, https://www.pricepulse.app/danpinera-3-tier-rolling-utility-cart-with-wheels_us_12123271 (Year: 2022).*

DESCRIPTION

FIG. 1 is a perspective view of a cart showing my new design;
FIG. 2 is a front view thereof;
FIG. 3 is a rear view thereof;
FIG. 4 is a left side view thereof;
FIG. 5 is a right side view thereof,
FIG. 6 is a top view thereof;
FIG. 7 is a bottom view thereof; and,
FIG. 8 is another perspective view with two layers.
The broken line portions of the cart in FIGS. 1-8 represent unclaimed portions of the claimed design and form no part thereof. The dot-dash broken lines in FIGS. 1-5 and 8 represent unclaimed boundary lines and form no part of the claimed design.

1 Claim, 7 Drawing Sheets



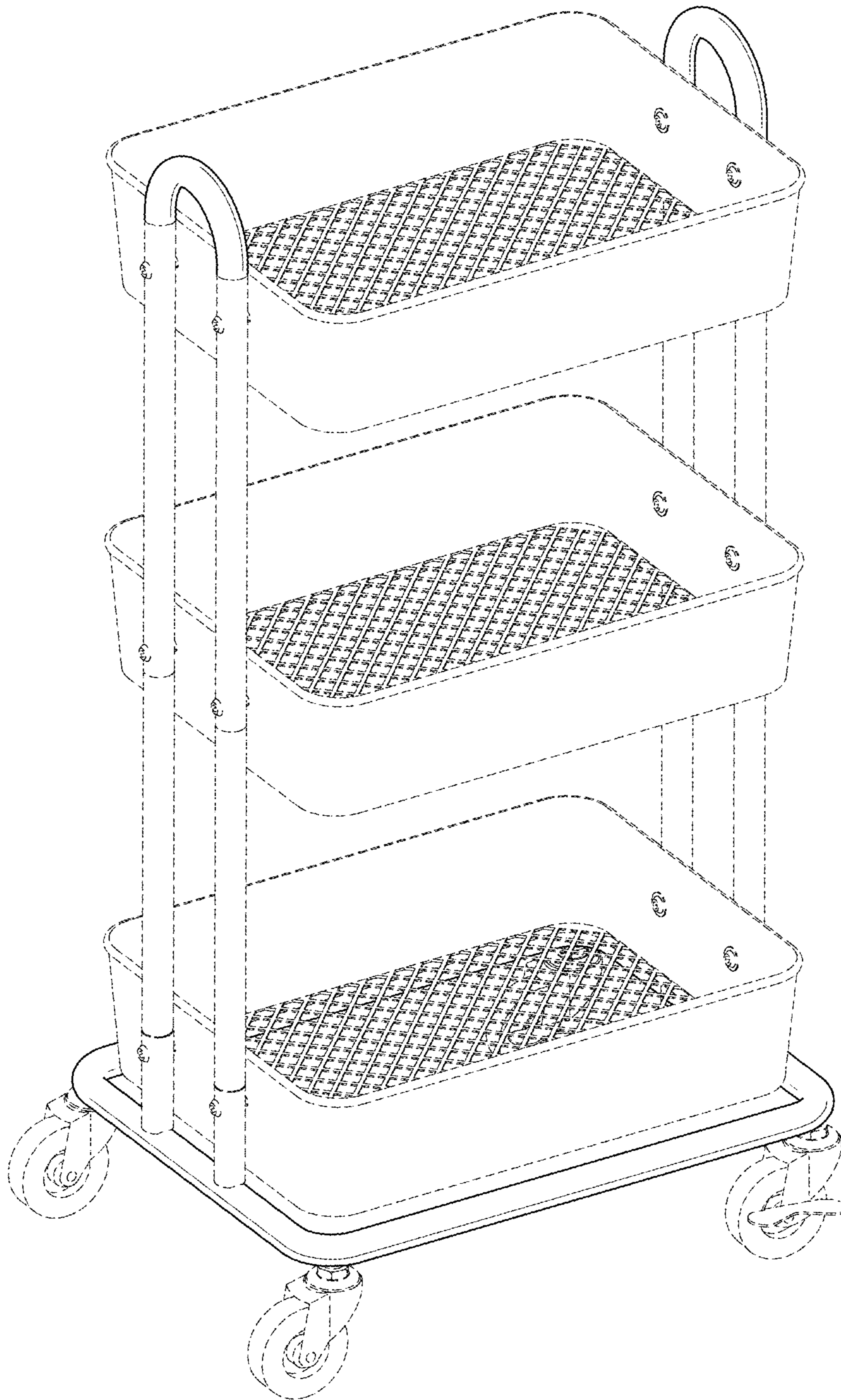


FIG. 1

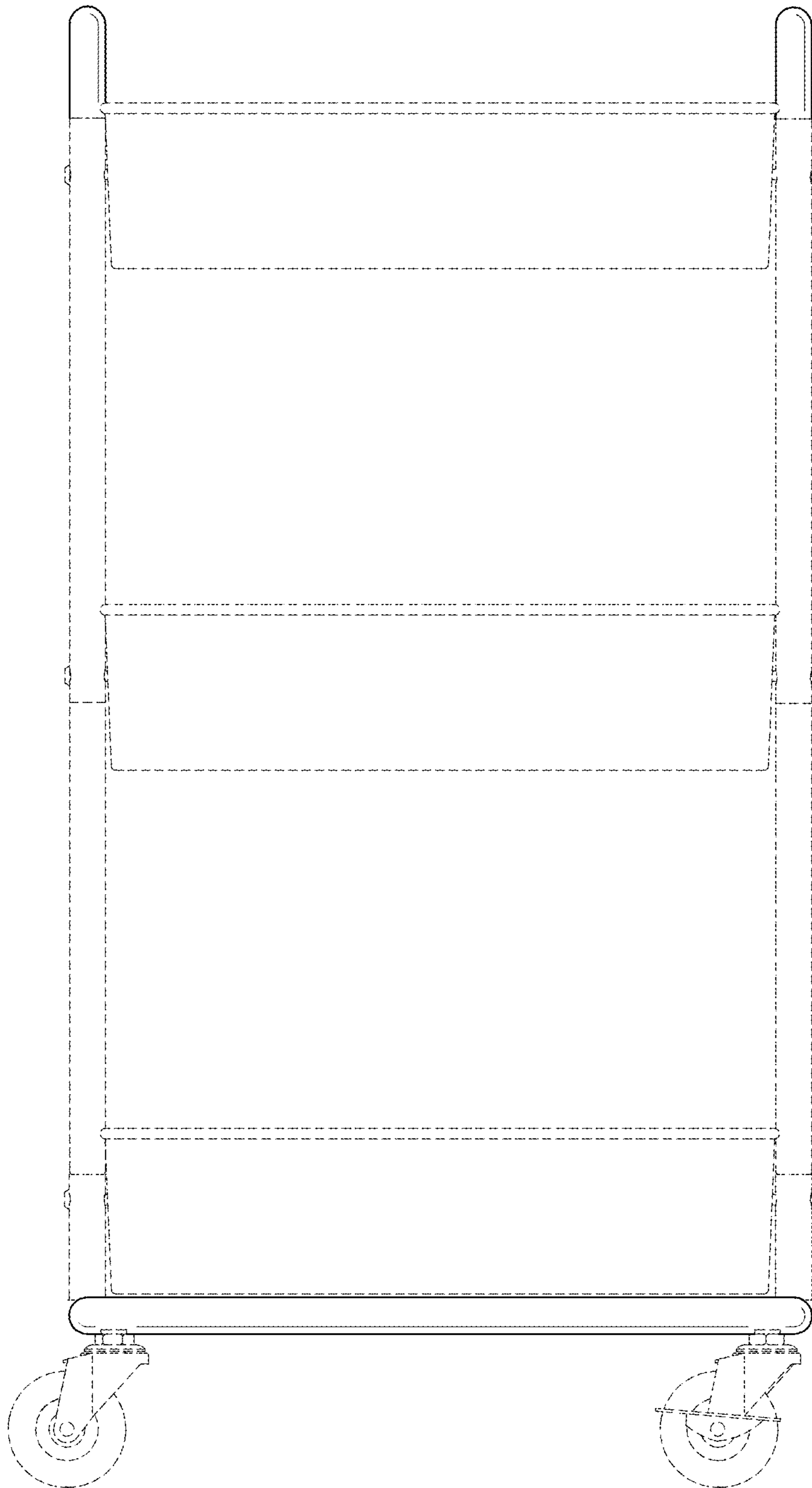


FIG. 2

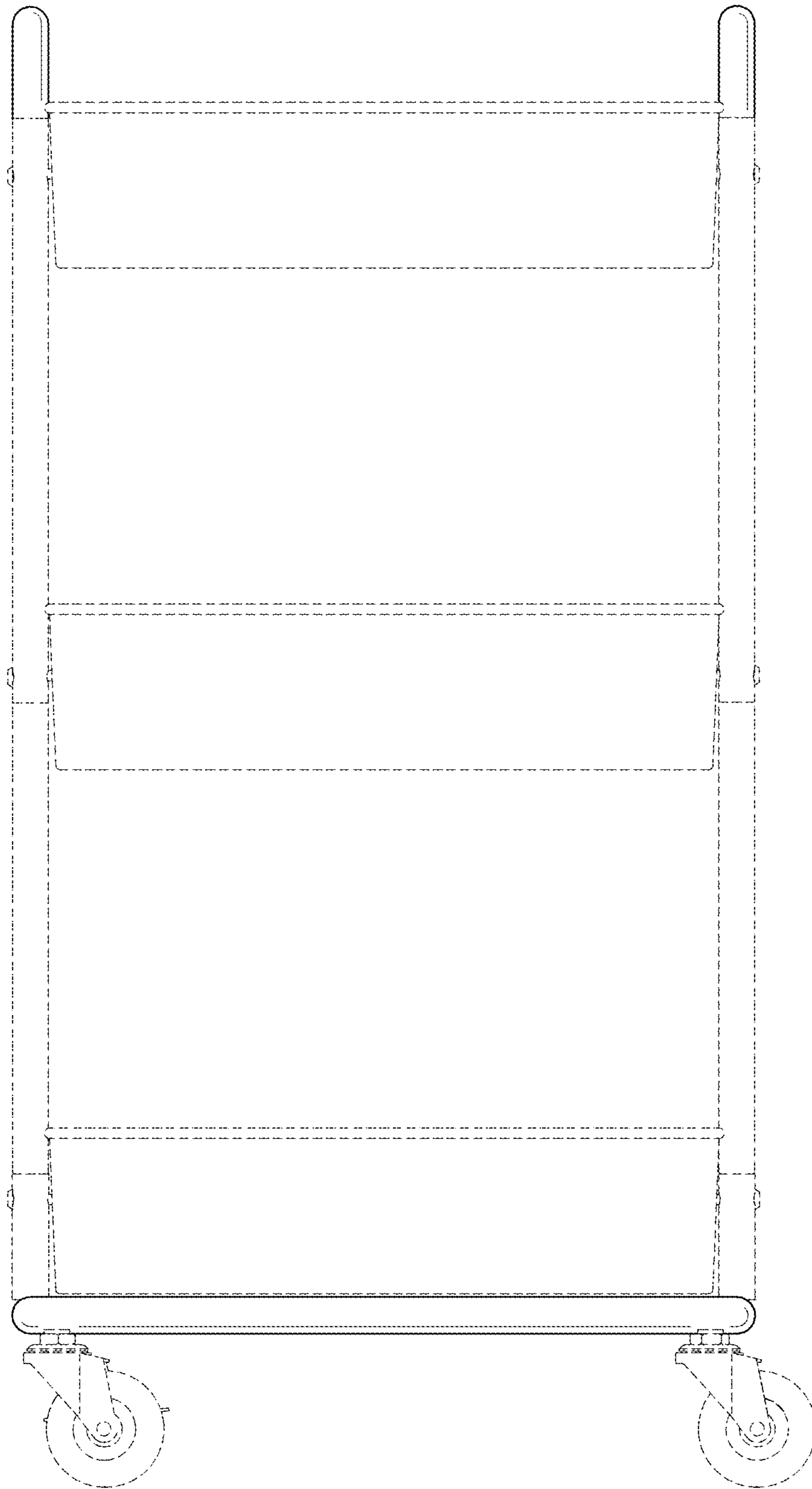


FIG. 3

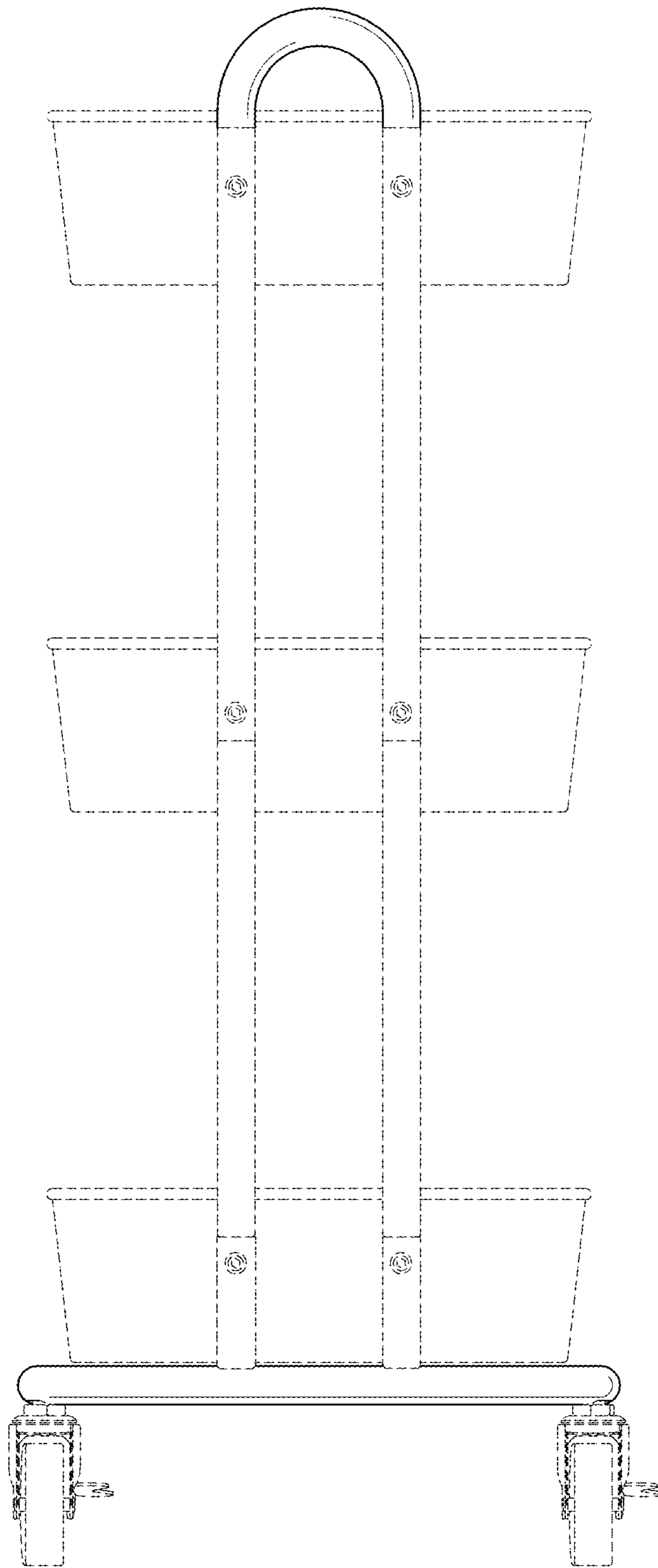


FIG. 4

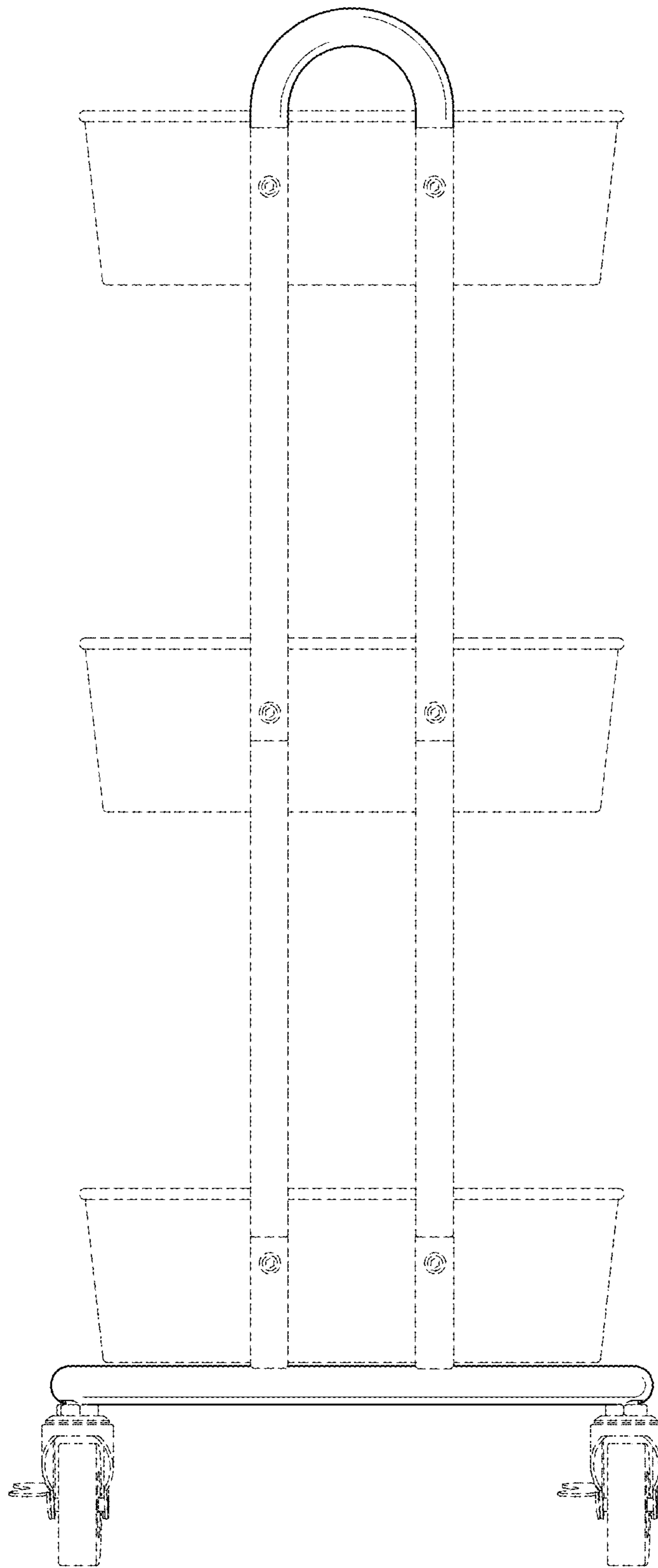


FIG. 5

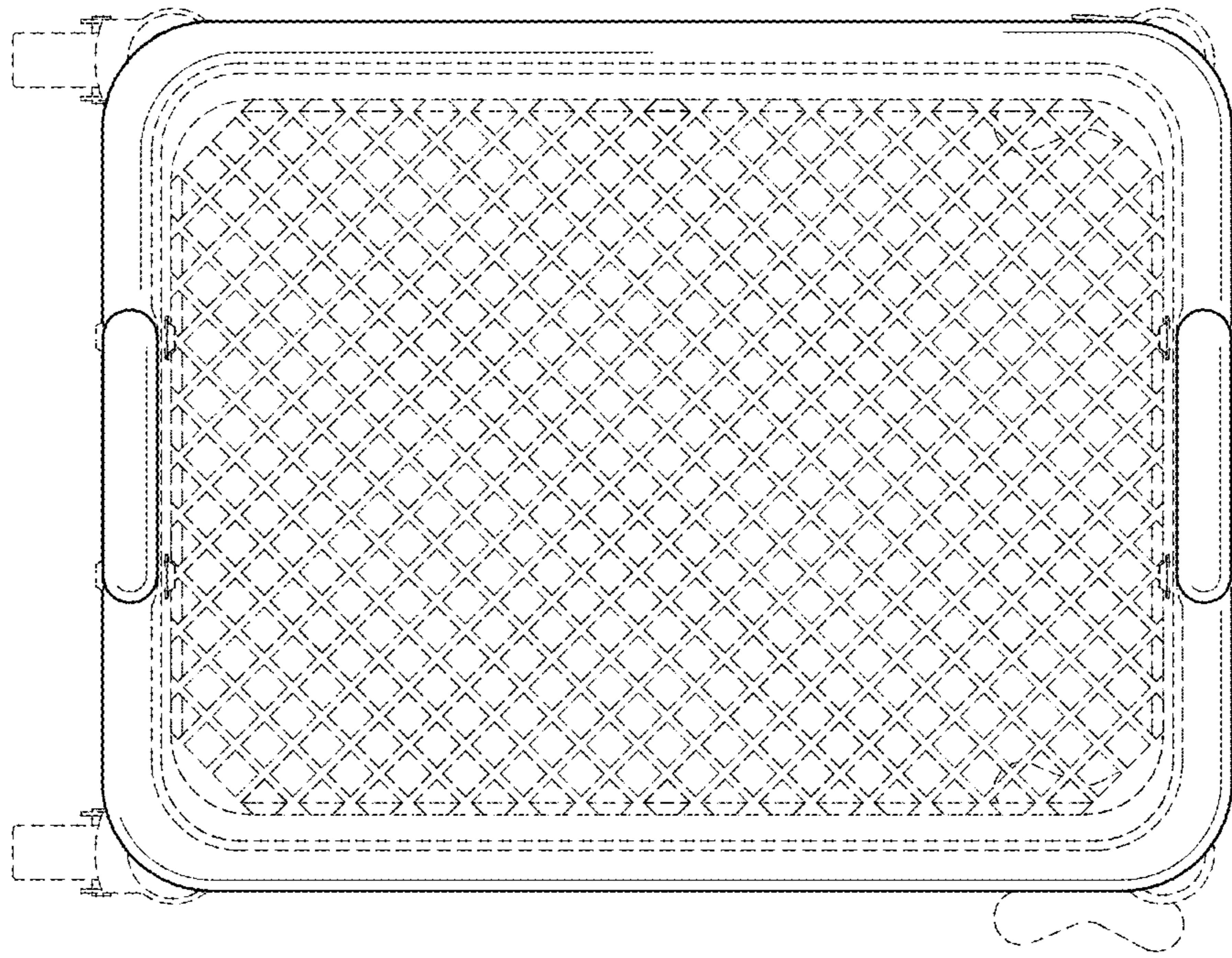


FIG. 6

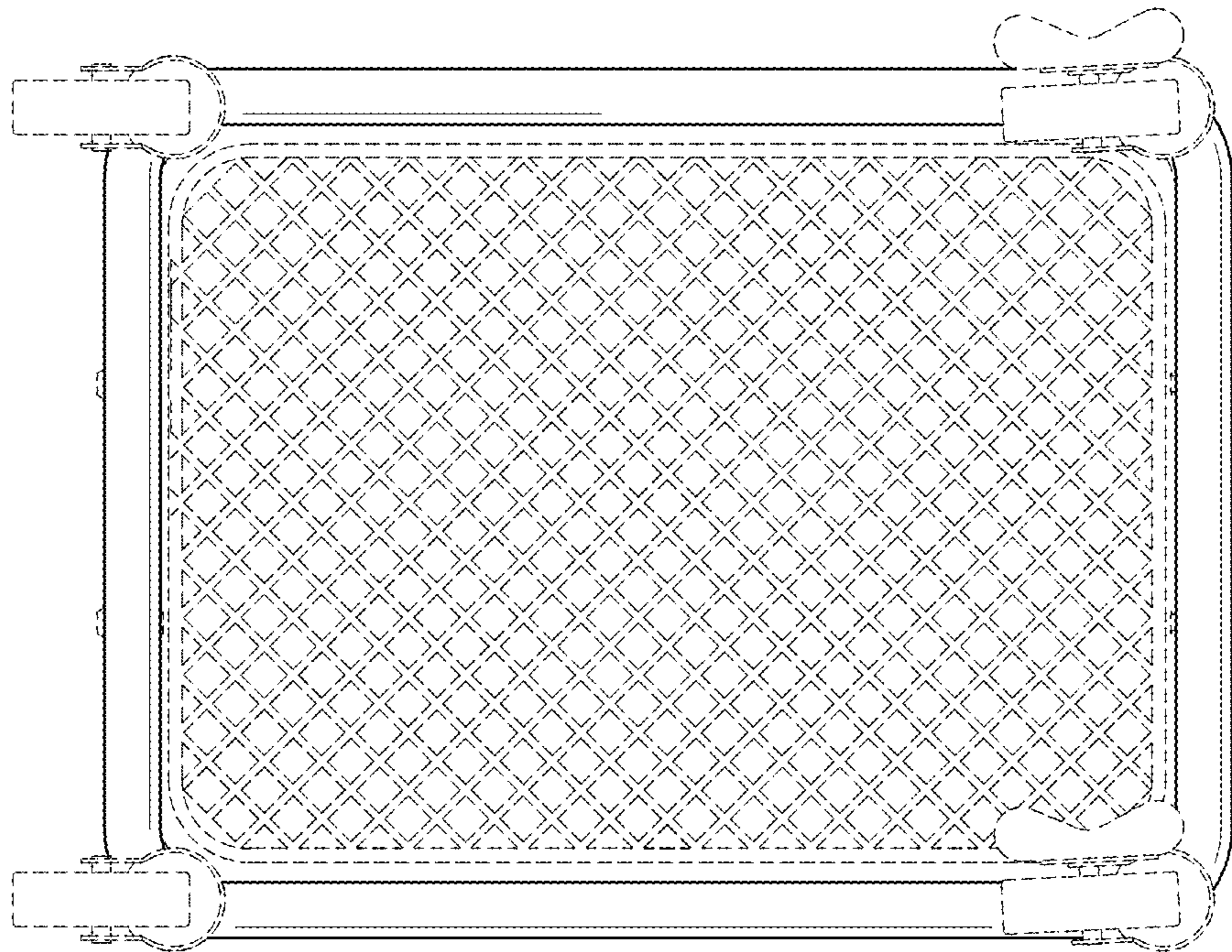


FIG. 7

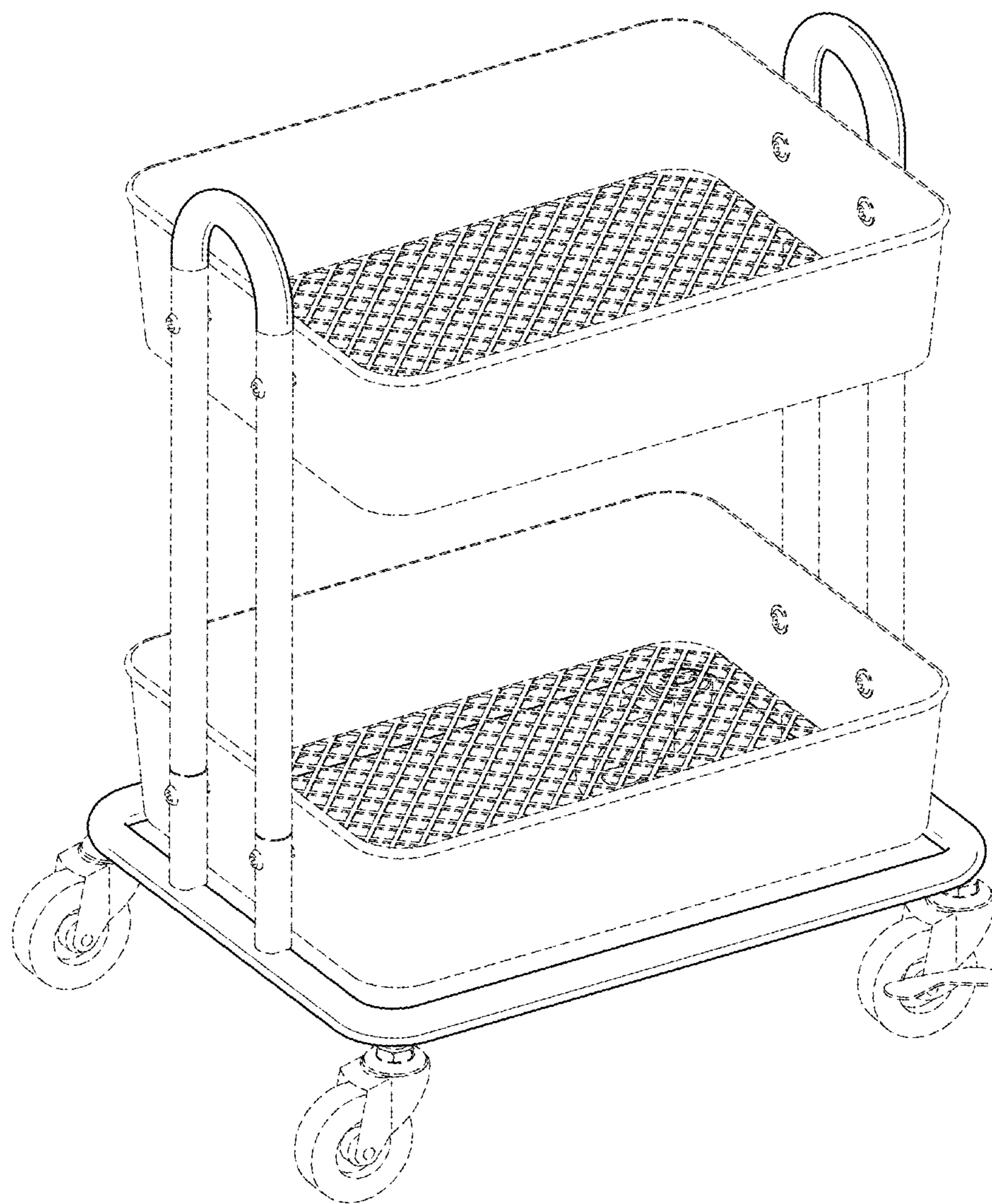


FIG. 8