



US00D957080S

(12) **United States Design Patent** (10) **Patent No.:** **US D957,080 S**
Park et al. (45) **Date of Patent:** **** Jul. 5, 2022**

(54) **IRONING BOARD**

- (71) Applicant: **LG ELECTRONICS INC.**, Seoul (KR)
- (72) Inventors: **Kyutae Park**, Seoul (KR); **Jaecil Bae**, Seoul (KR); **Kyungah Lee**, Seoul (KR); **Hoil Jeon**, Seoul (KR); **Youngsoo Ha**, Seoul (KR)
- (73) Assignee: **LG ELECTRONICS INC.**, Seoul (KR)
- (*) Notice: This patent is subject to a terminal disclaimer.
- (**) Term: **15 Years**

(21) Appl. No.: **29/724,735**

(22) Filed: **Feb. 19, 2020**

(30) **Foreign Application Priority Data**

Aug. 20, 2019 (KR) 30-2019-0039784

(51) **LOC (13) Cl.** **07-05**

(52) **U.S. Cl.**
USPC **D32/66**

(58) **Field of Classification Search**
USPC D32/6, 9, 35, 60, 66, 67; D21/526;
D6/559, 663, 668, 691.1, 691.3, 691.4
(Continued)

(56) **References Cited**

U.S. PATENT DOCUMENTS

D19,852 S * 5/1890 Hicks D32/66
D47,601 S * 7/1915 Labadie D3/274
(Continued)

FOREIGN PATENT DOCUMENTS

GB 2069748 * 2/1998
WO D206437-001 * 8/2021
(Continued)

OTHER PUBLICATIONS

Kapas Adjustable Garment Steamer, available in freestuff.cafe, announced May 5, 2021[online], [site visited Sep. 9, 2021], URL: <https://freestuff.cafe/deals/kapas-adjustable-garment-steamer-accessories-for-clothes-build-in-rotatable-ironing-board-211-water-tank-8-ironing-options-for-different-clothes/> (Year: 2021).*

(Continued)

Primary Examiner — Dana K Weiland
Assistant Examiner — Jennylou M Binas

(74) *Attorney, Agent, or Firm* — Birch, Stewart, Kolasch & Birch, LLP

(57) **CLAIM**

We claim the ornamental design for an ironing board, as shown and described.

DESCRIPTION

FIG. 1 is a perspective view of an ironing board showing the new design;
FIG. 2 is a front elevation view thereof;
FIG. 3 is a rear elevation view thereof;
FIG. 4 is a left side elevation view thereof;
FIG. 5 is a right side elevation view thereof;
FIG. 6 is a top plan view thereof;
FIG. 7 is a bottom plan view thereof;
FIG. 8 is a perspective view of the ironing board showing a state of the lower stand slid open;
FIG. 9 is a front elevation view thereof;
FIG. 10 is a rear elevation view thereof;
FIG. 11 is a left side elevation view thereof;
FIG. 12 is a right side elevation view thereof;
FIG. 13 is a top plan view thereof;
FIG. 14 is a bottom plan view thereof;
FIG. 15 is a perspective view of the ironing board shown with the upper board unfolded;
FIG. 16 is a front elevation view thereof;
FIG. 17 is a rear elevation view thereof;
FIG. 18 is a left side elevation view thereof;
FIG. 19 is a right side elevation view thereof;
FIG. 20 is a top plan view thereof;
FIG. 21 is a bottom plan view thereof;

(Continued)

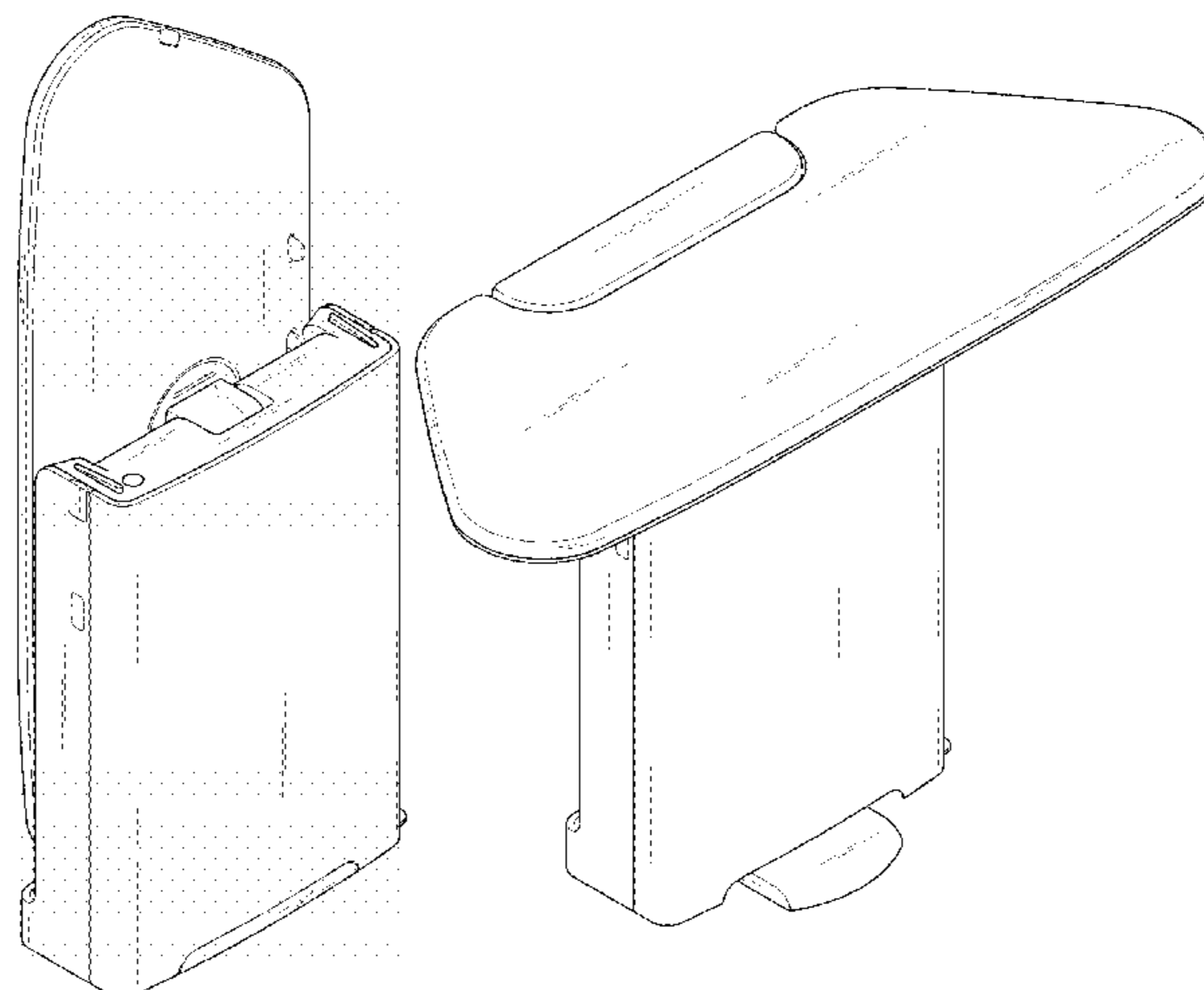


FIG. 22 is a perspective view of the ironing board shown with the upper board unfolded and rotated to be parallel to the central support part;
 FIG. 23 is a front elevation view thereof;
 FIG. 24 is a rear elevation view thereof;
 FIG. 25 is a left side elevation view thereof;
 FIG. 26 is a right side elevation view thereof;
 FIG. 27 is a top plan view thereof; and,
 FIG. 28 is a bottom plan view thereof.
 The parts of the ironing board shown by means of broken lines in the drawing figures are not part of the claimed design.

1 Claim, 28 Drawing Sheets

(58) **Field of Classification Search**

CPC A47B 39/06; D06F 81/00; D06F 81/003;
 D06F 81/006; D06F 81/02; D06F 81/04;
 D06F 81/06; D06F 81/08; D06F 81/12;
 D06F 83/00; Y10S 38/02; Y10S 38/03;
 Y10T 292/305

See application file for complete search history.

(56) **References Cited**

U.S. PATENT DOCUMENTS

D124,329	S	*	12/1940	Parker	D32/66
D142,261	S	*	8/1945	Meyerhoefer	D32/66
D159,952	S	*	9/1950	Buser	D32/66
2,523,425	A	*	9/1950	Gargaglione A47B 77/10	108/13
D167,456	S	*	8/1952	Glassie et al.	D32/66
D182,902	S	*	5/1958	Kemph	D32/66
D183,468	S	*	9/1958	Turner	D32/66
D263,781	S	*	4/1982	Pettersson	D32/66
D272,008	S	*	12/1983	Flory	D32/66
D348,338	S	*	6/1994	Stutzer	D32/66

D373,869	S	*	9/1996	Stutzer	D32/66
D413,699	S	*	9/1999	Evans	D32/37
D426,040	S	*	5/2000	Wicky	D32/66
D427,402	S	*	6/2000	Kellogg	D32/66
D543,671	S	*	5/2007	Chu	D32/66
D543,672	S	*	5/2007	Chu	D32/66
D546,515	S	*	7/2007	Wicky	D32/66
D608,515	S	*	1/2010	Park	D32/66
D704,912	S	*	5/2014	Gameiro	D32/66
D732,771	S	*	6/2015	Chung	D32/25
D858,022	S	*	8/2019	Wang	D32/66
D937,524	S	*	11/2021	Park	D32/66
D938,123	S	*	12/2021	Bae	D32/66
D939,170	S	*	12/2021	Park	D32/66

FOREIGN PATENT DOCUMENTS

WO	D206925-001	*	8/2021
WO	D206926-001	*	8/2021
WO	D207135-001	*	8/2021

OTHER PUBLICATIONS

10 Best Ironing Boards to Buy in 2021, available in www.goodhousekeeping.com, announced May 24, 2021 [online], [site visited Nov. 16, 2020], Internet URL: <https://www.goodhousekeeping.com/home-products/g36343446/best-ironing-board/> (Year: 2021).*

Miele B 3312 FashionMaster Ironing Station, available in Amazon.de, date first available Sep. 30, 2016 [online], [site visited Sep. 13, 2021], Available from the internet URL: https://www.amazon.de/Miele-3312-FashionMaster-Dampf%C3%BCgelsystem-Wabensohle/dp/B01LIT41EM?ref_=ast_sto_dp (Year: 2016).*

Flash Furniture 29.5"W x 57.25"L Trapezoid Grey HP Laminate Activity Table, available in Amazon.com, date first available Mar. 26, 2012 [online], [site visited Sep. 21, 2021], Available from the internet URL: https://www.amazon.com/Flash-Furniture-Trapezoid-Laminate-Activity/dp/B00777WHJQ/ref=sr_1_1?dchild=1&keywords=B00777WHJQ&qid=1632242139&s=home-garden&sr=1-1 (Year: 2012).*

* cited by examiner

FIG. 1

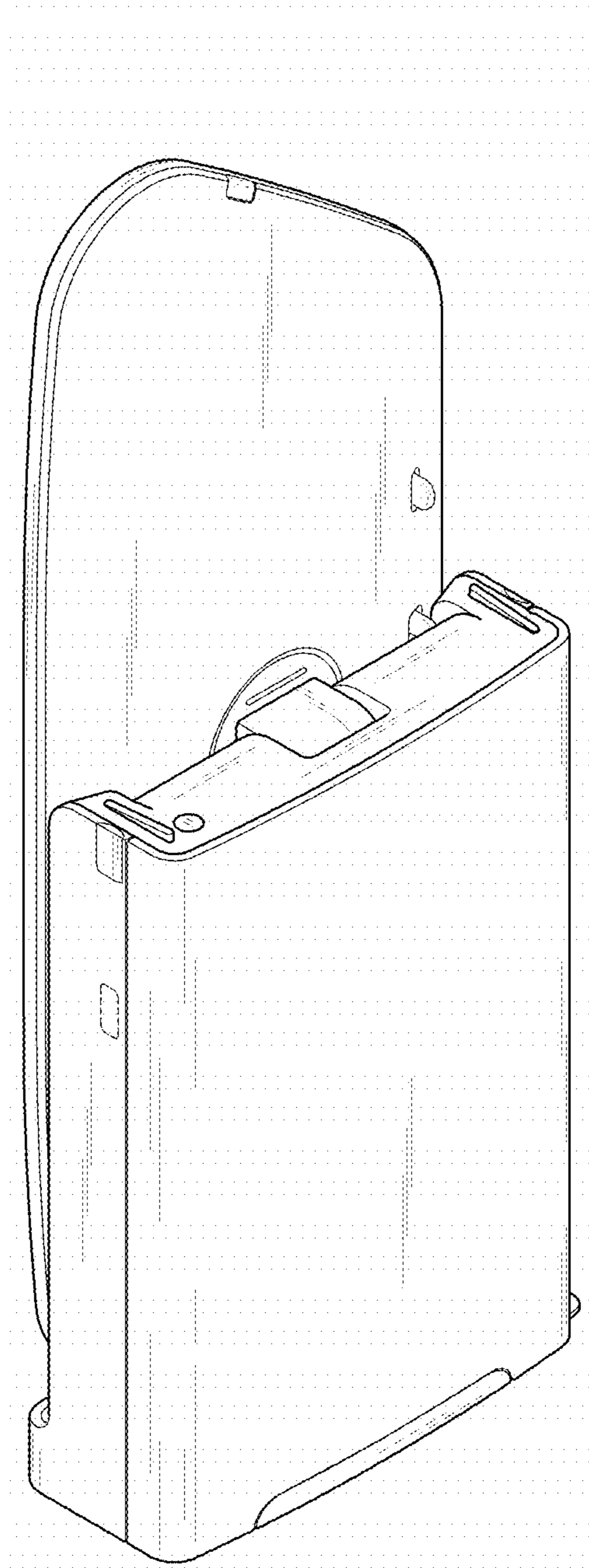


FIG. 2

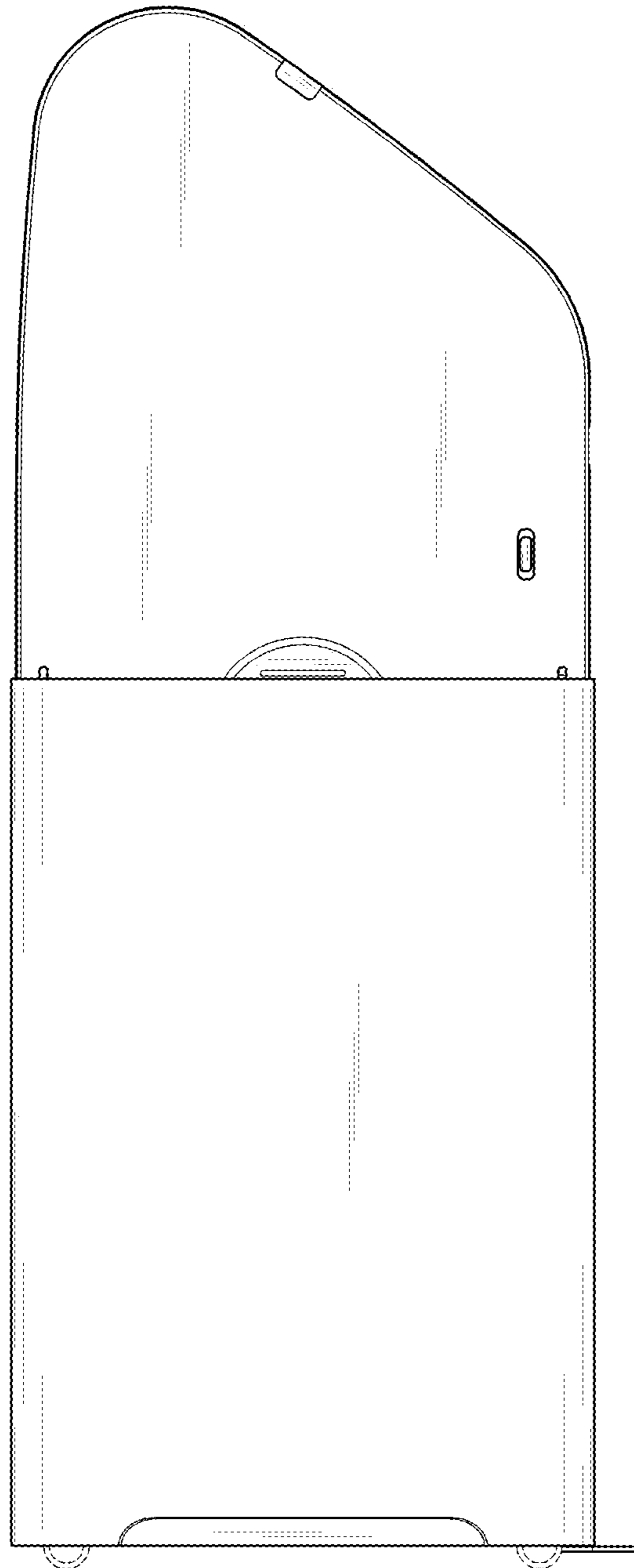


FIG. 3

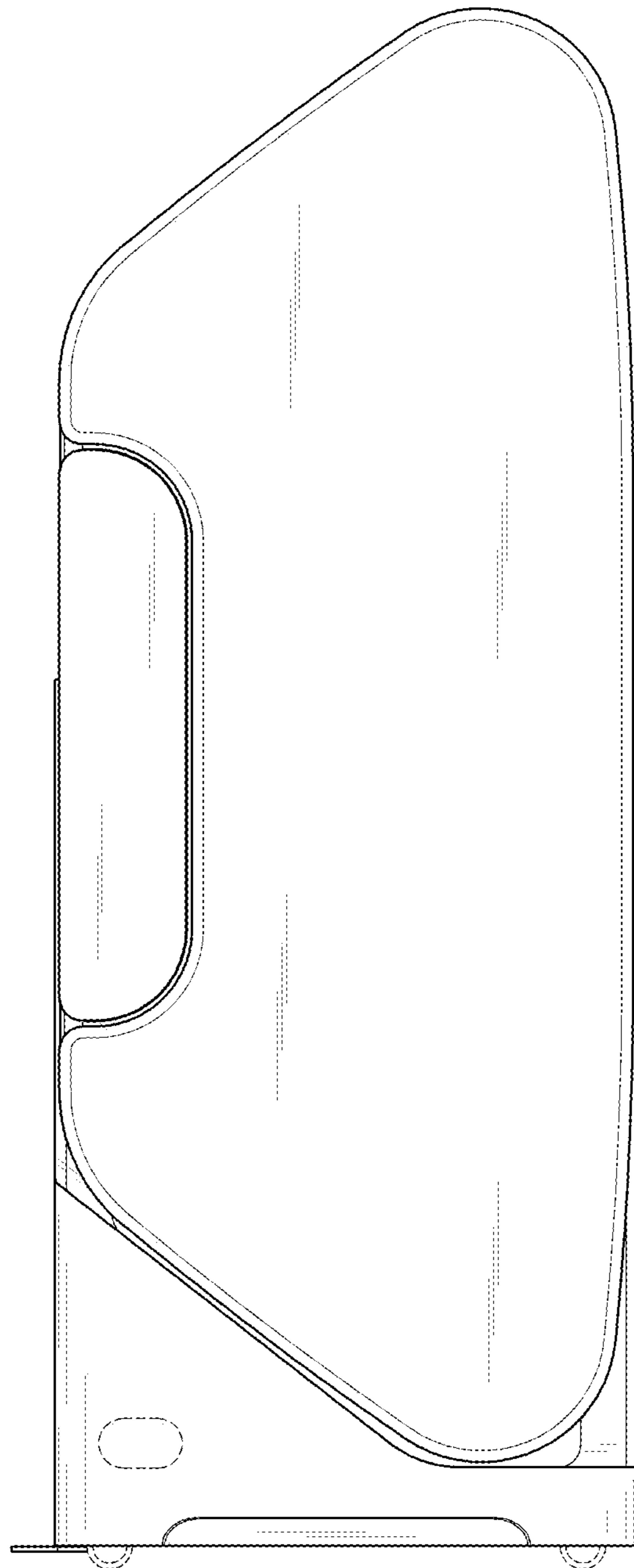


FIG. 4

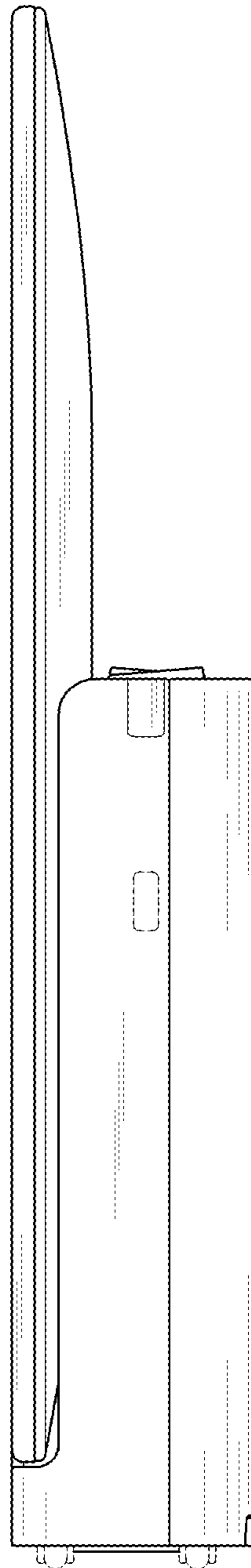


FIG. 5

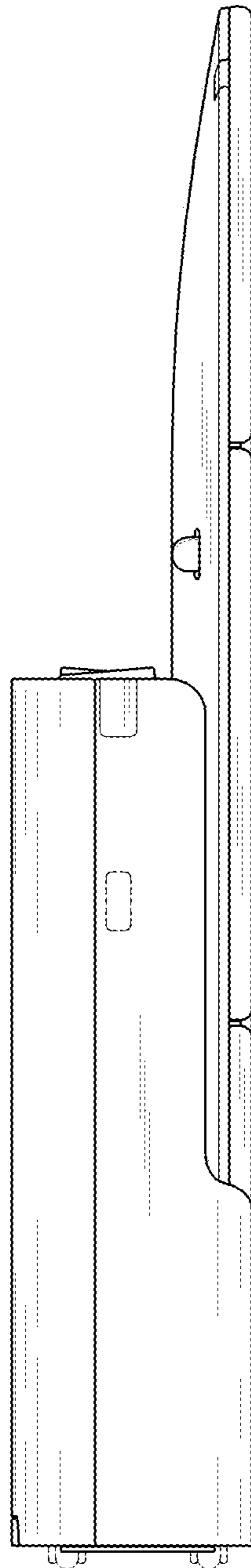


FIG. 6

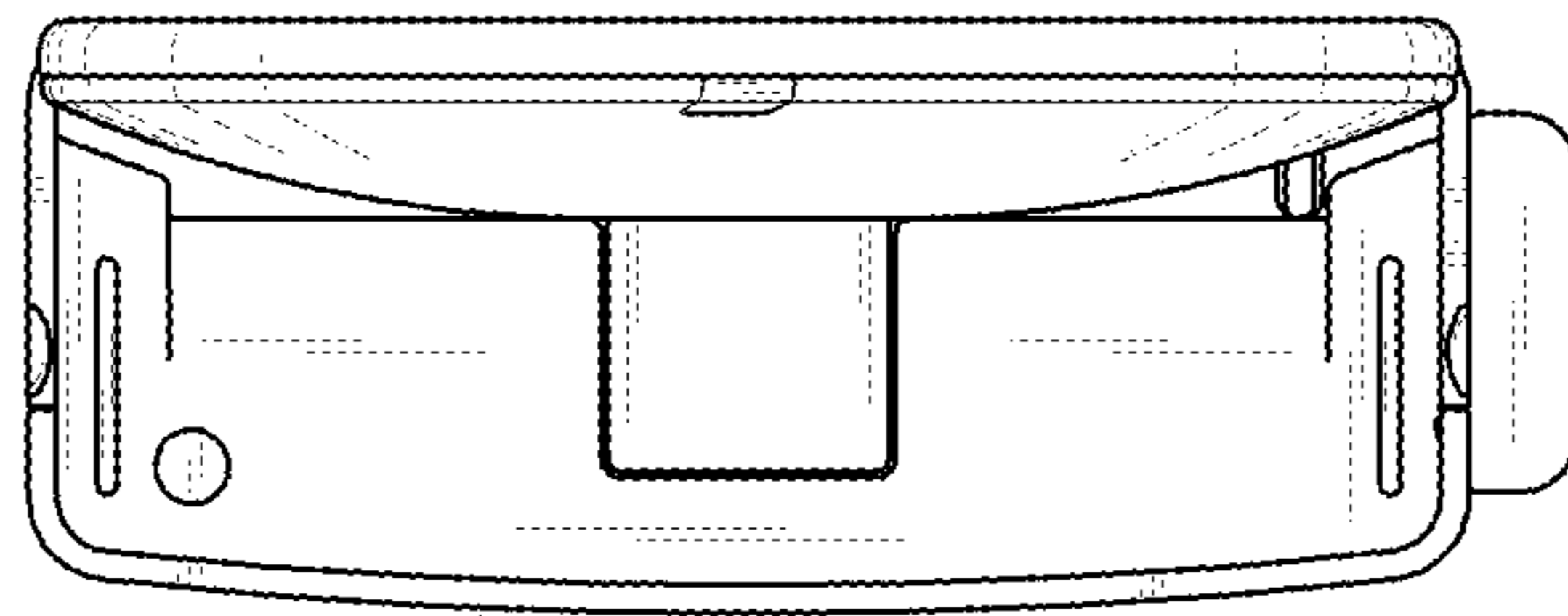


FIG. 7

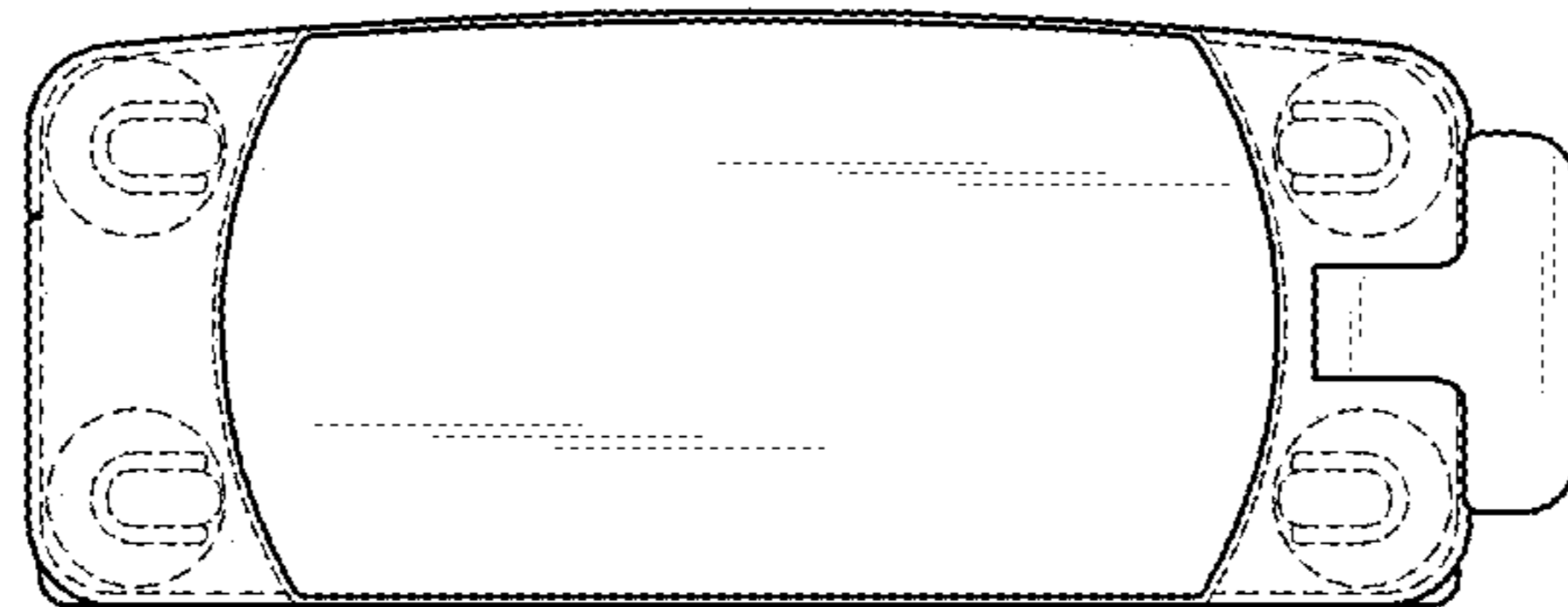


FIG. 8

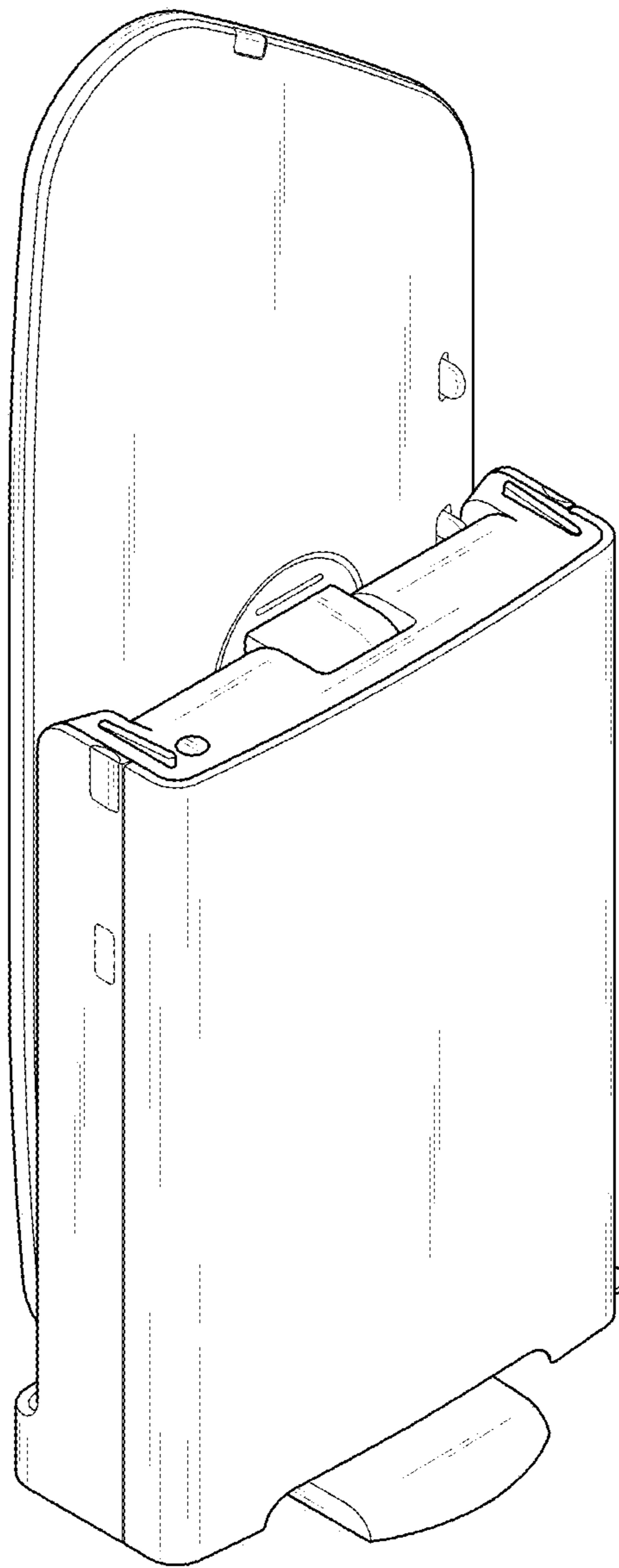


FIG. 9

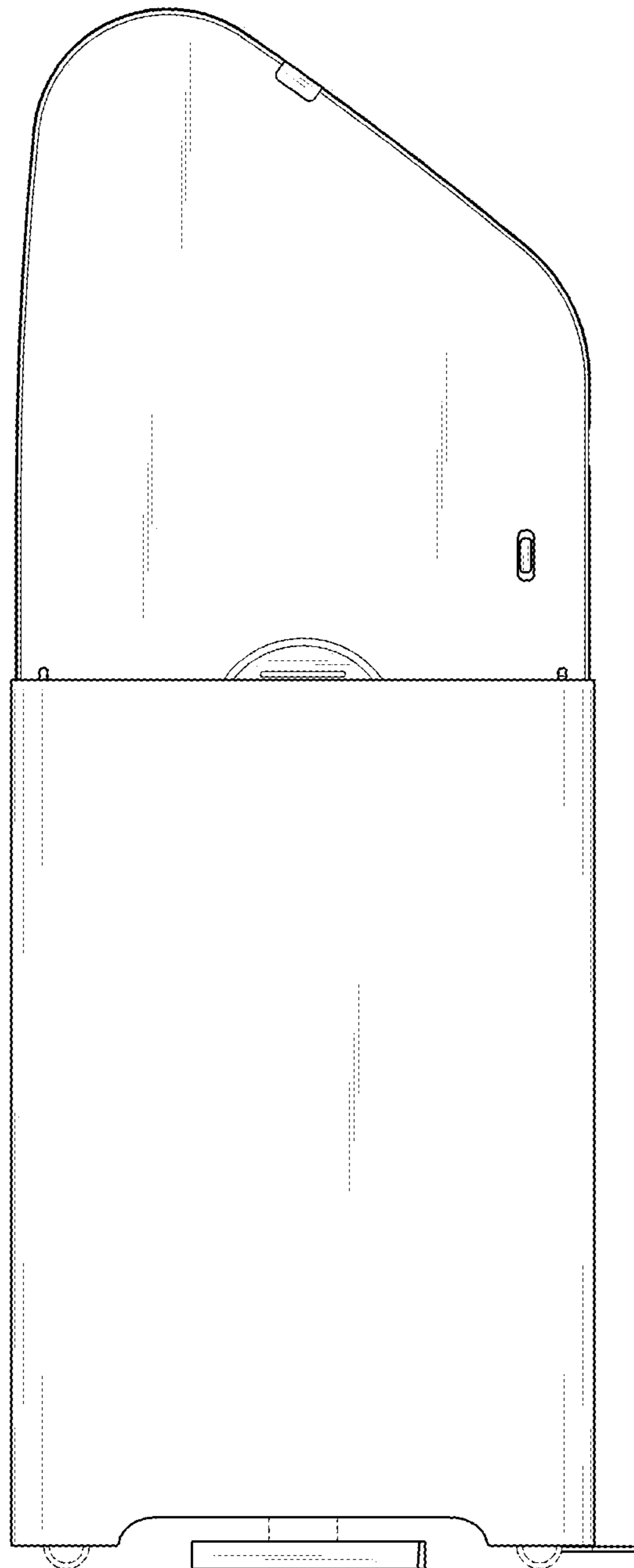


FIG. 10

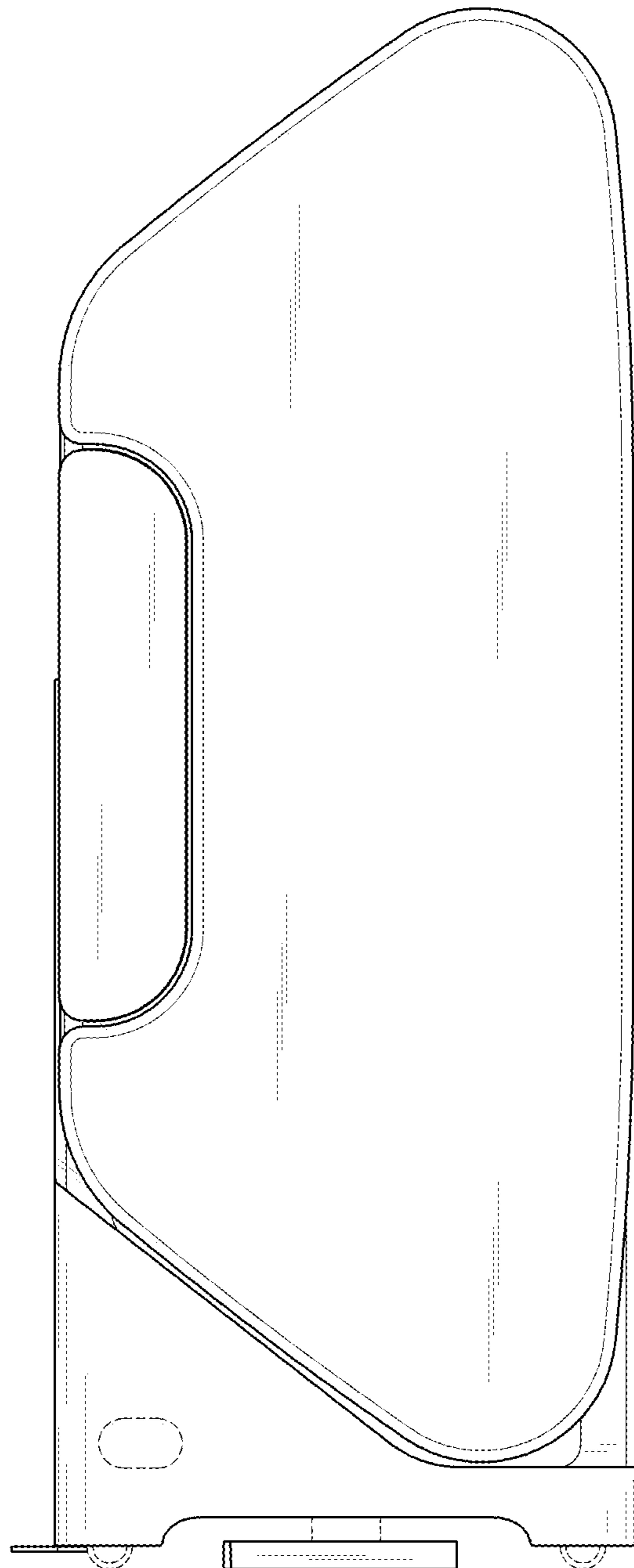


FIG. 11

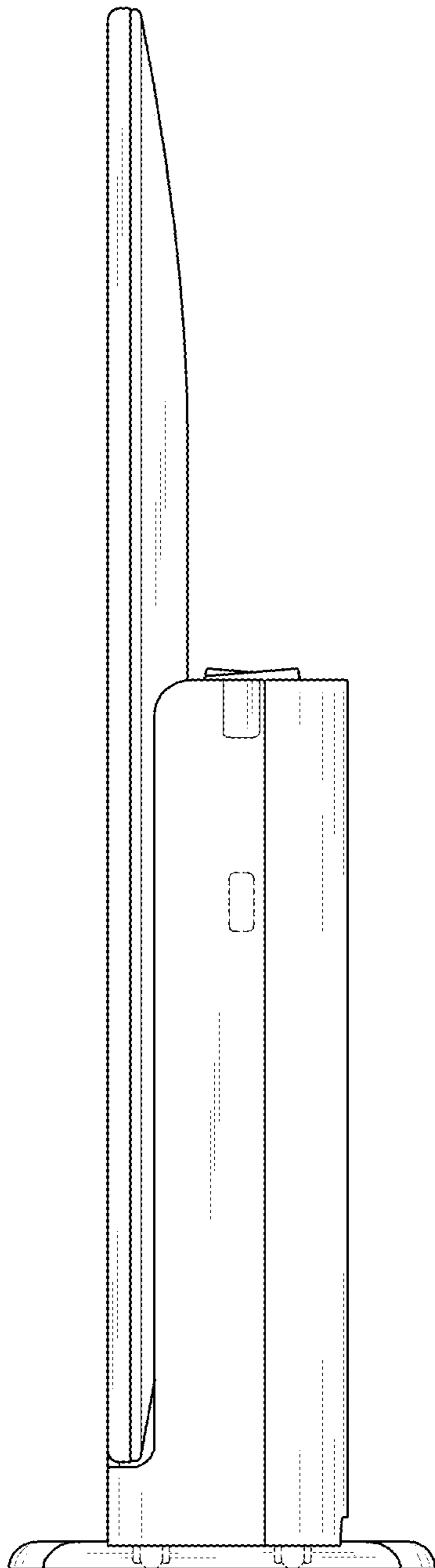


FIG. 12

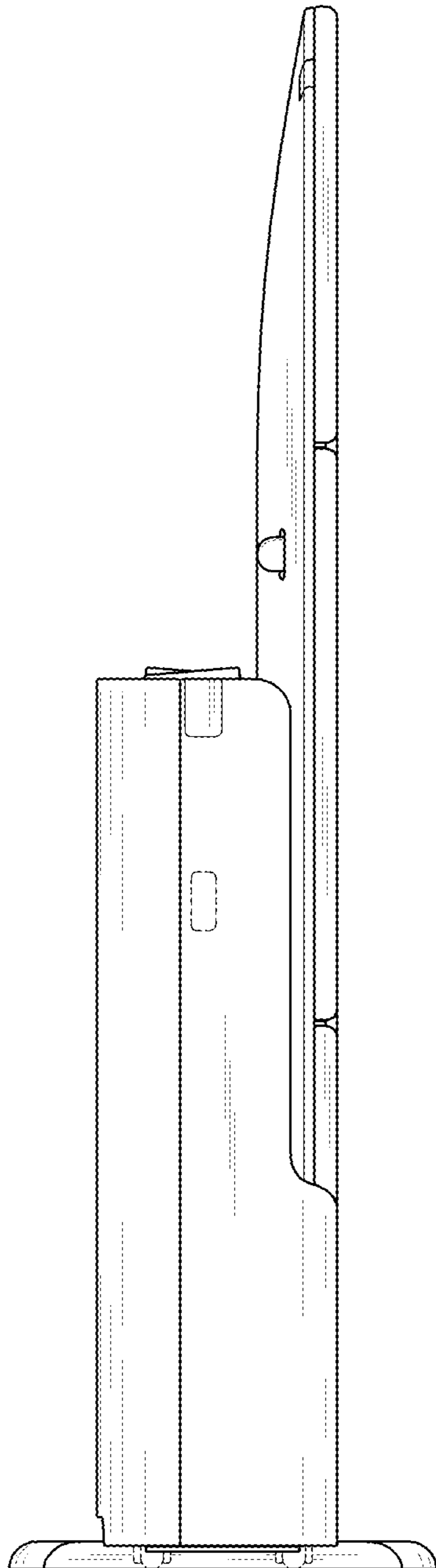


FIG. 13

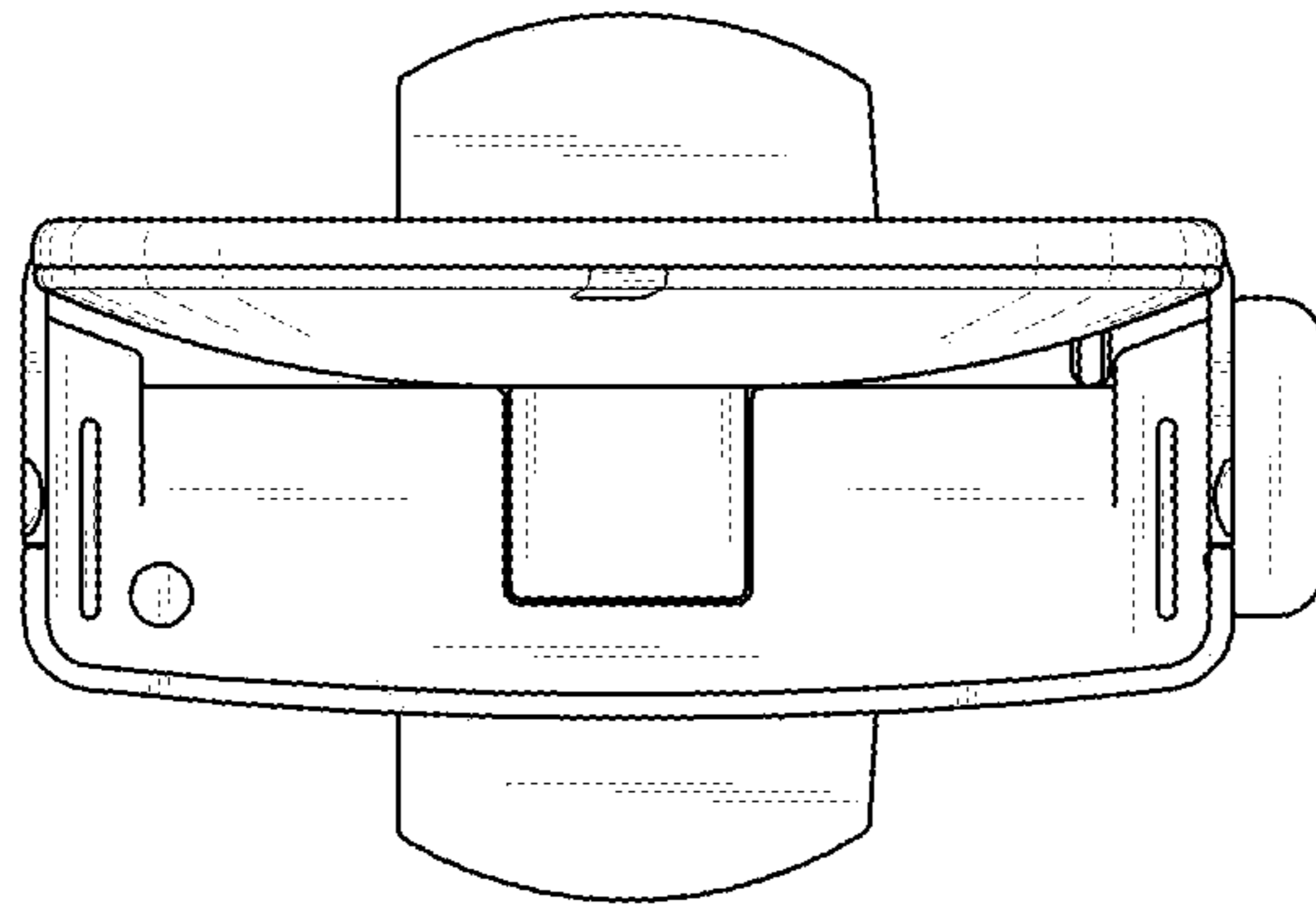


FIG. 14

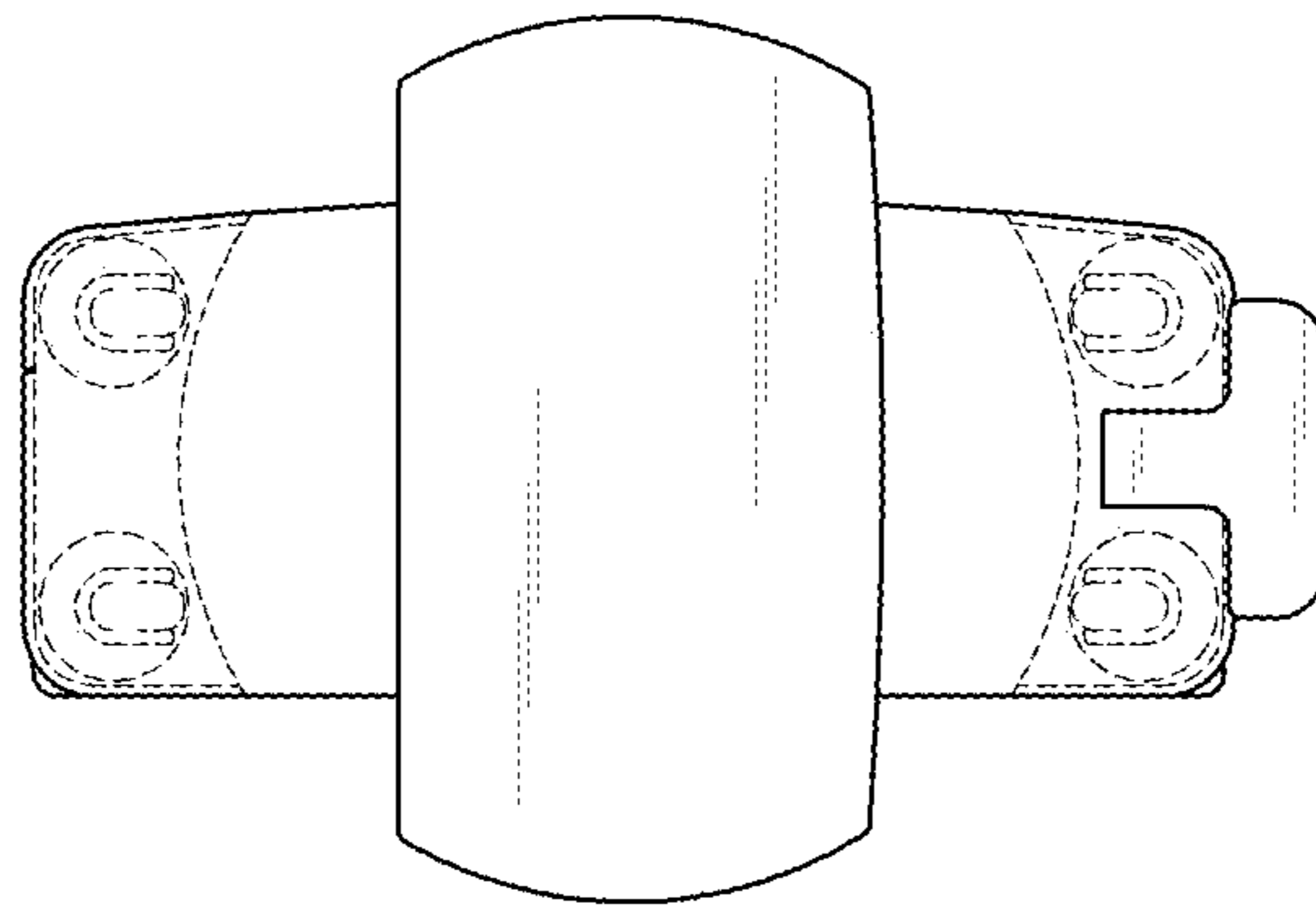


FIG. 15

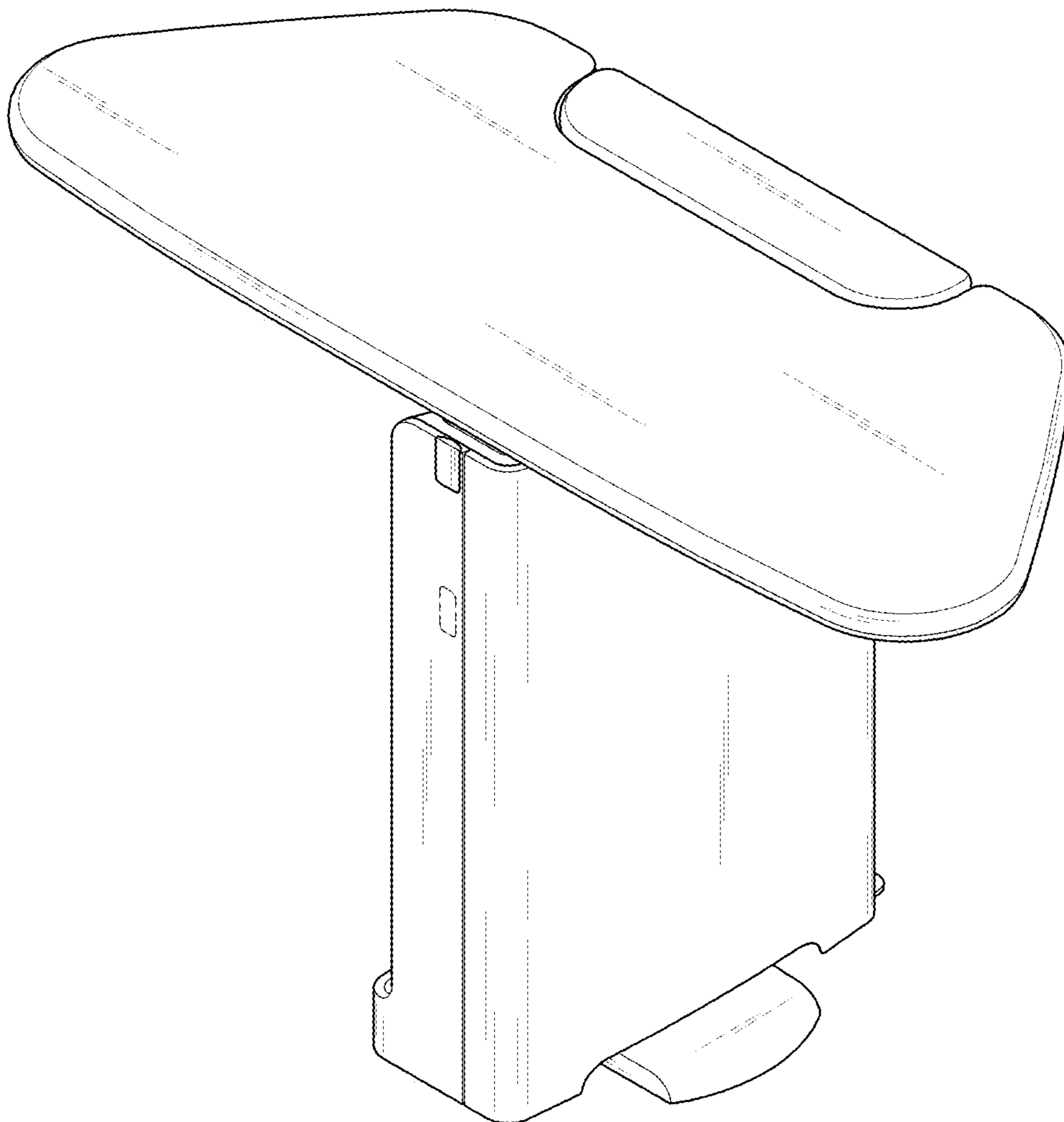


FIG. 16

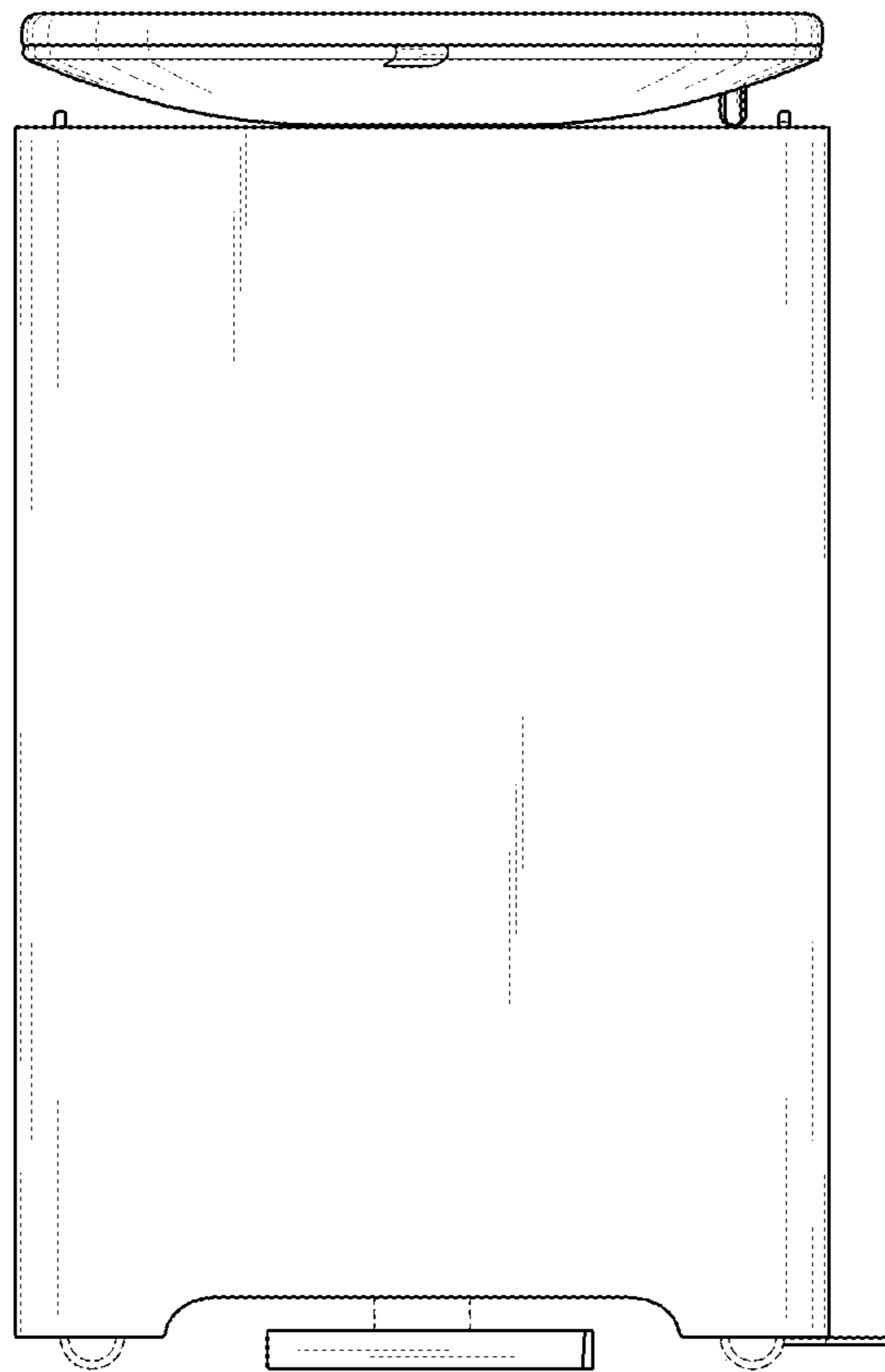


FIG. 17

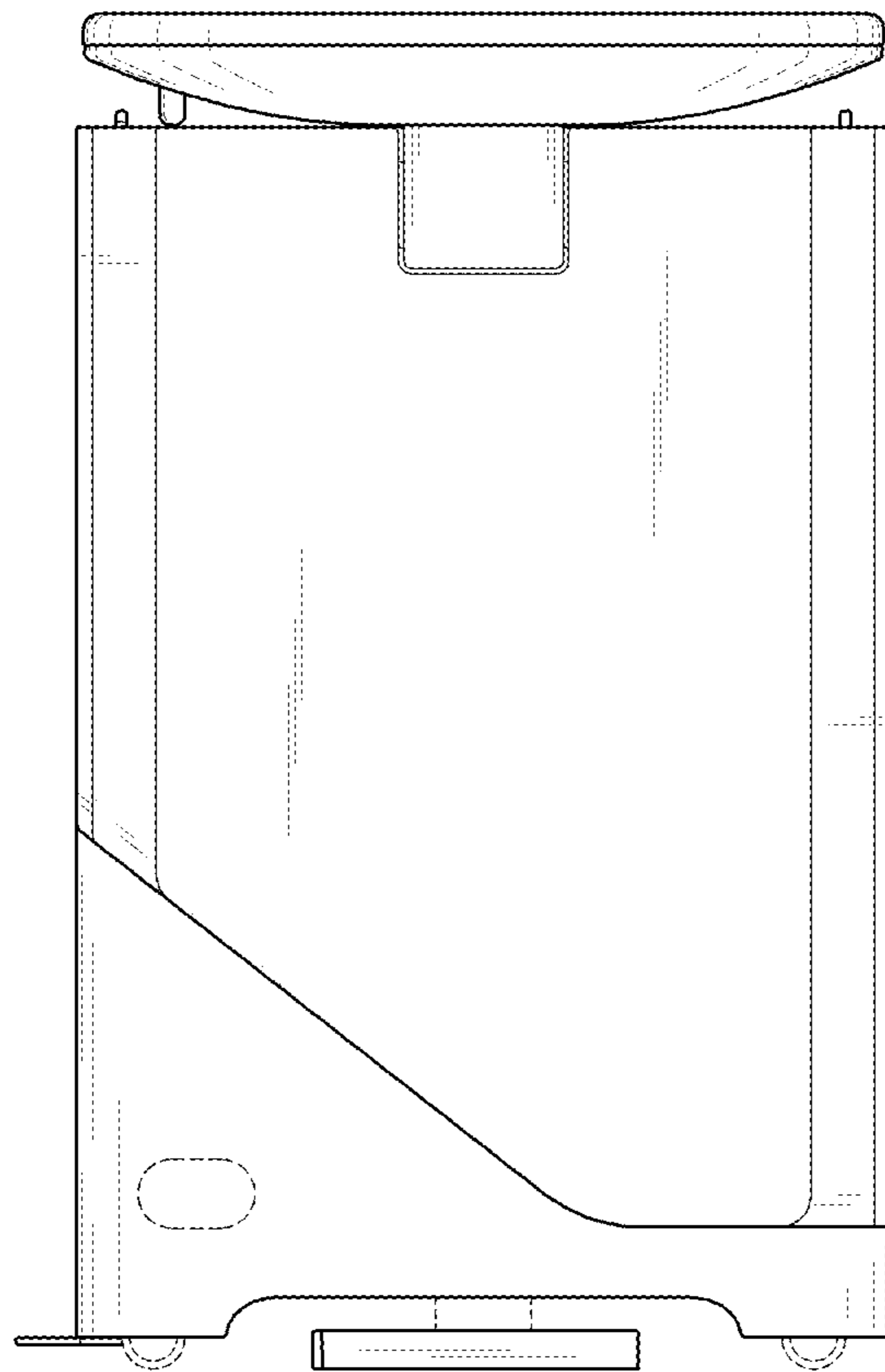


FIG. 18

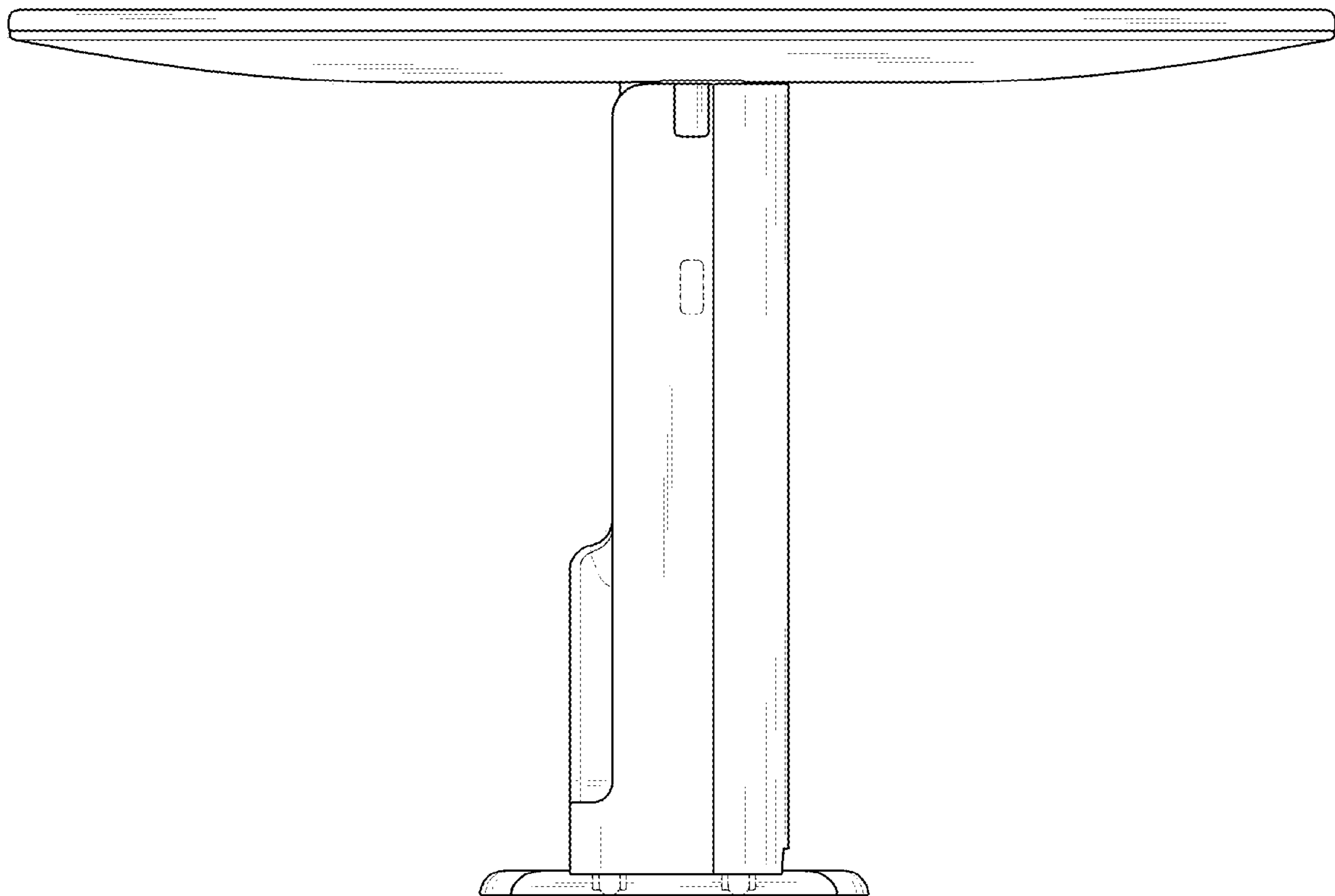


FIG. 19

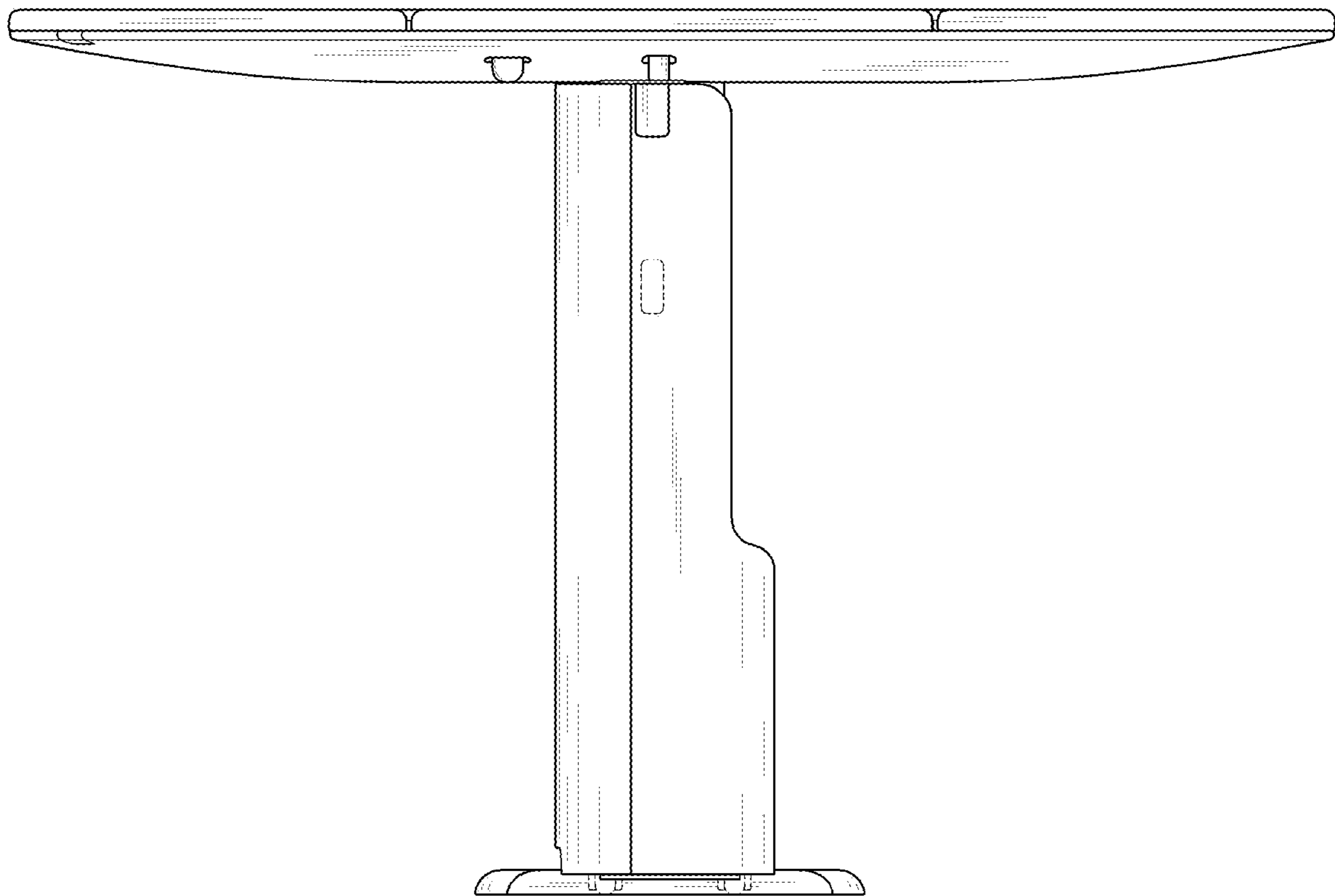


FIG. 20

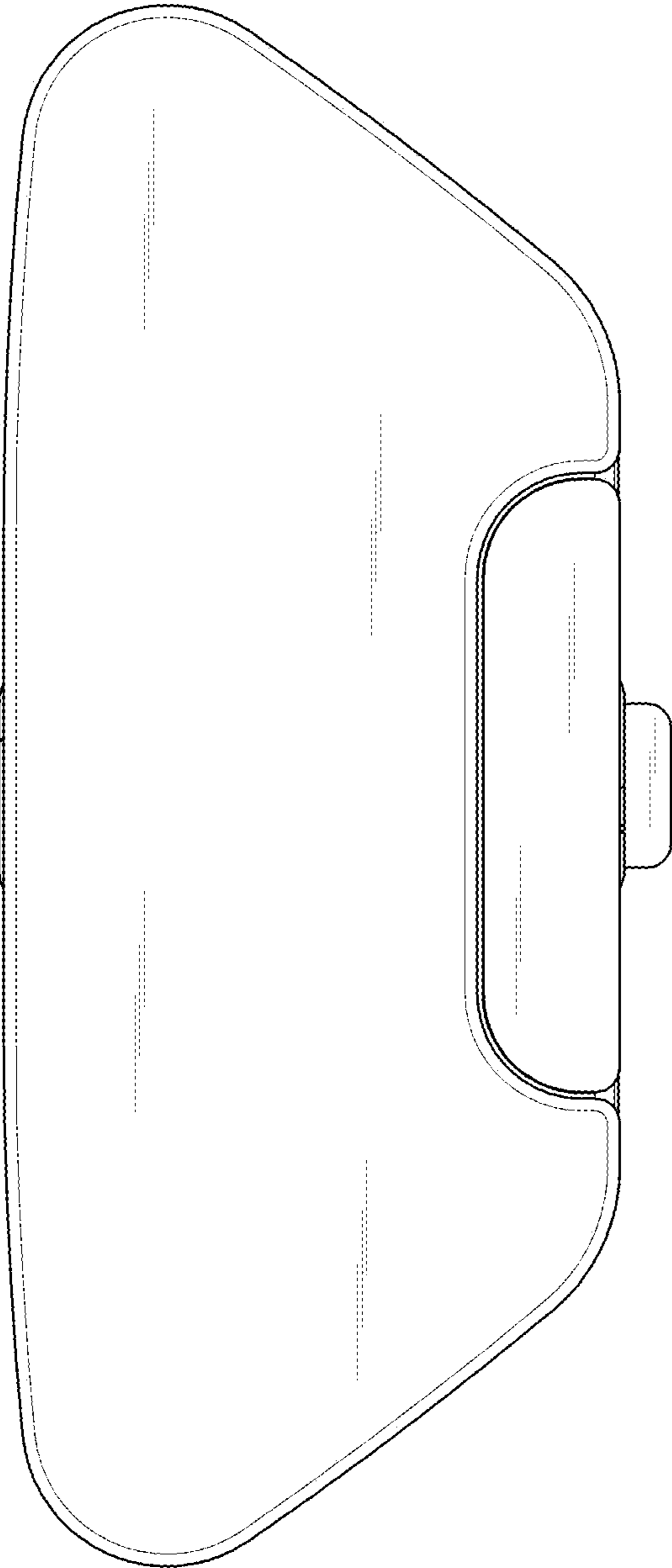


FIG. 21

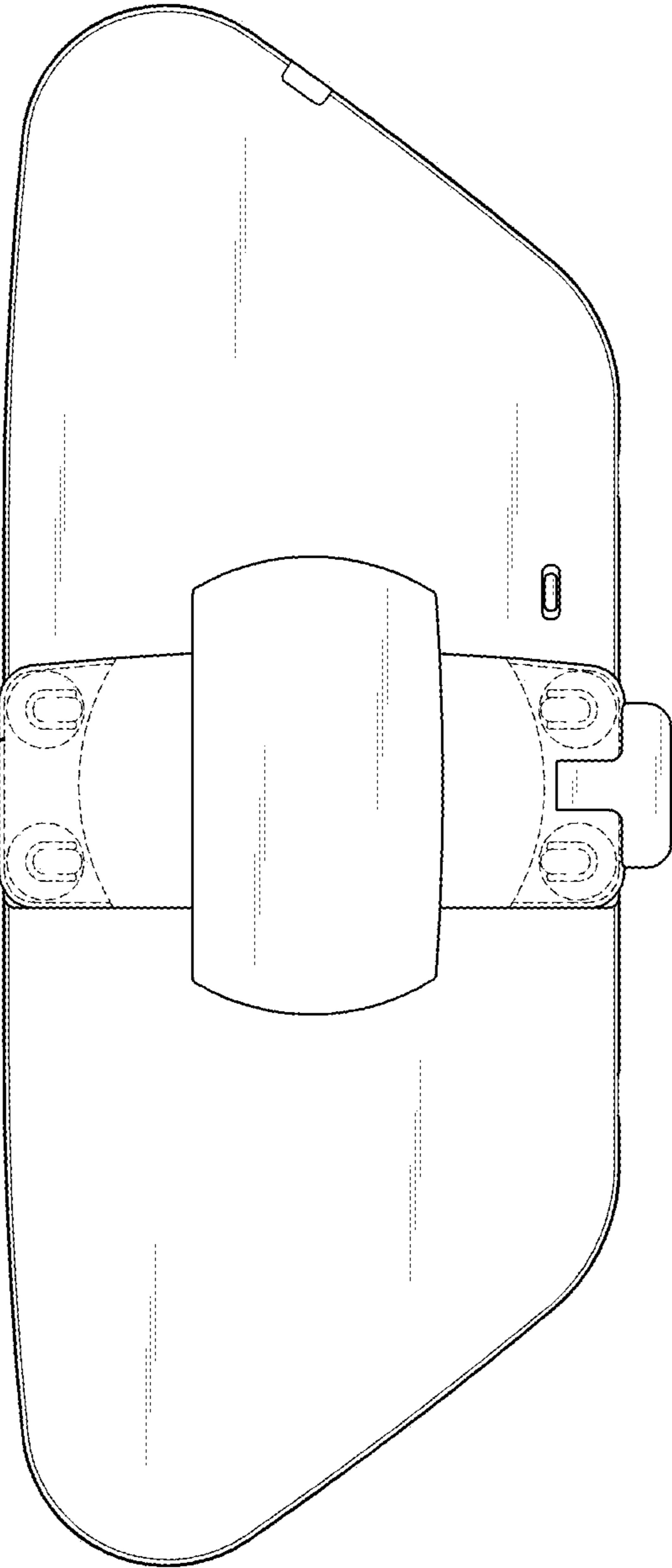


FIG. 22

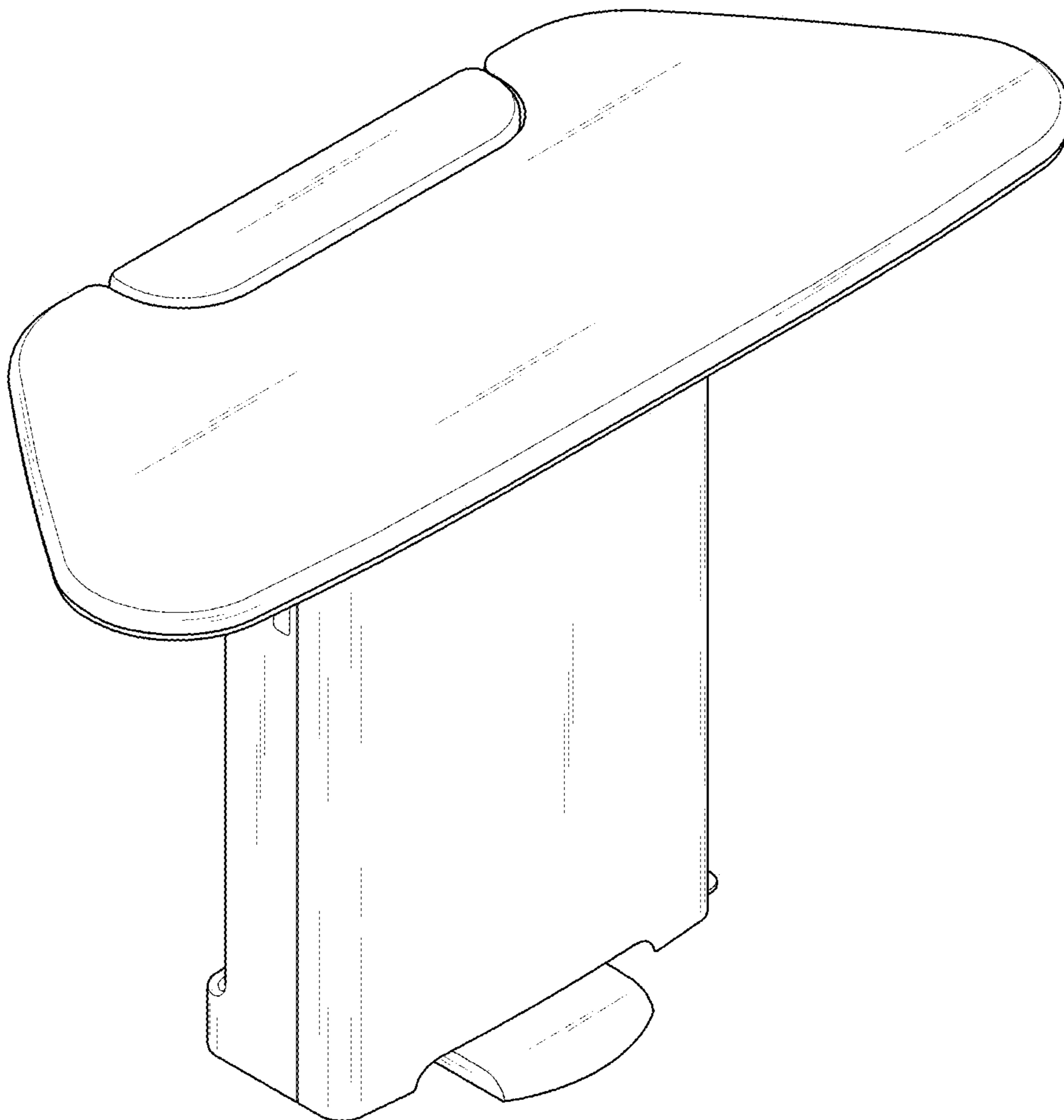


FIG. 23

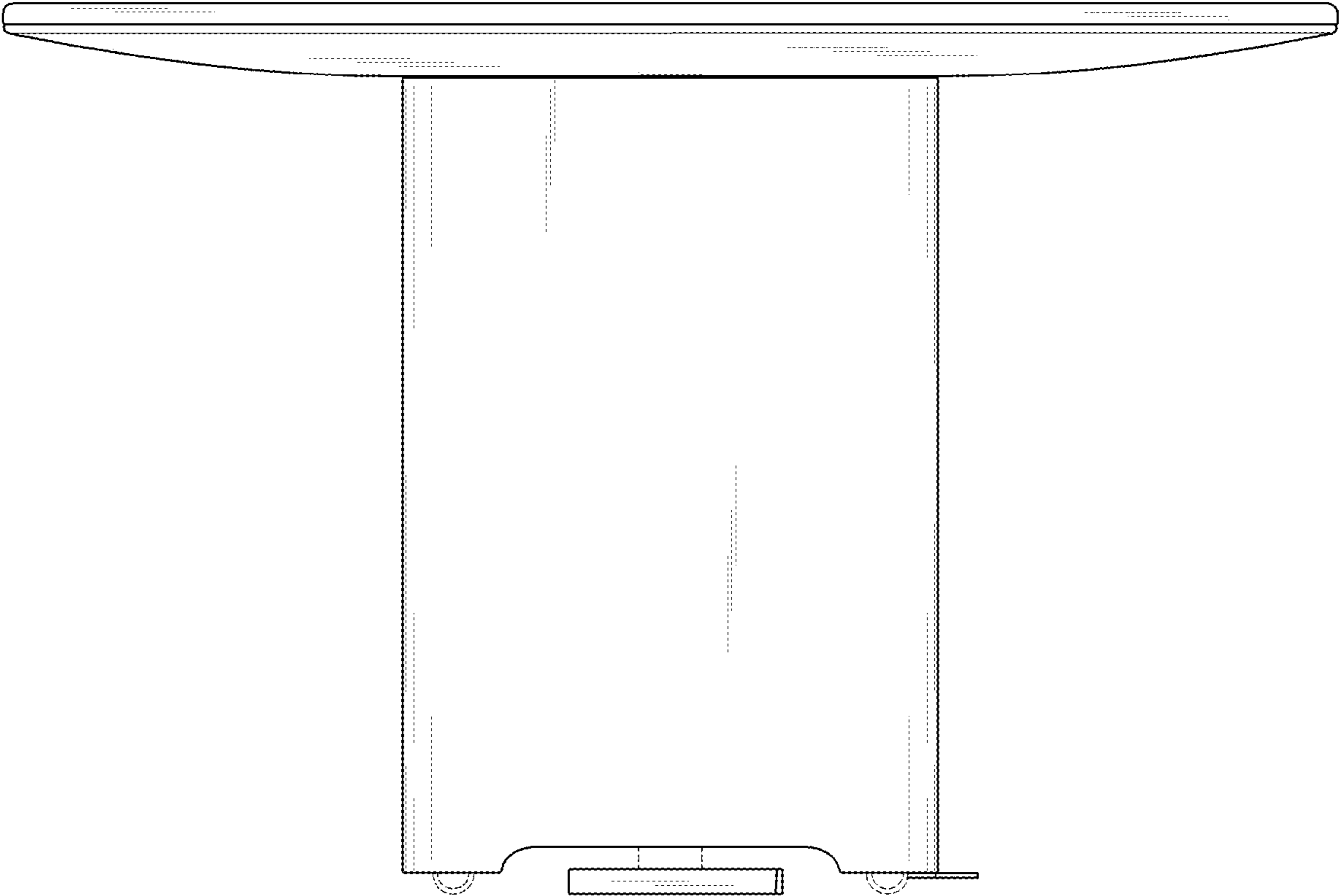


FIG. 24

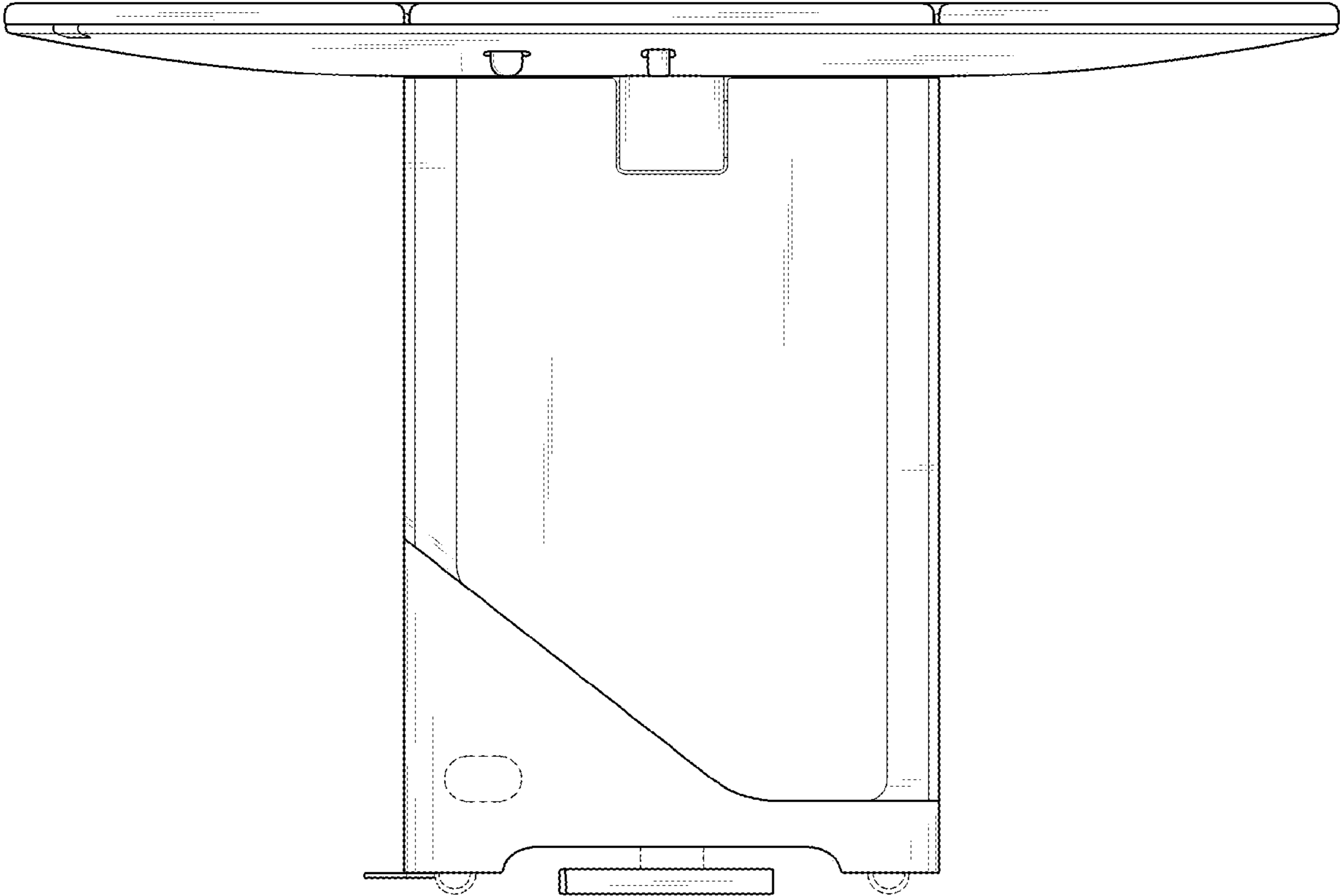


FIG. 25

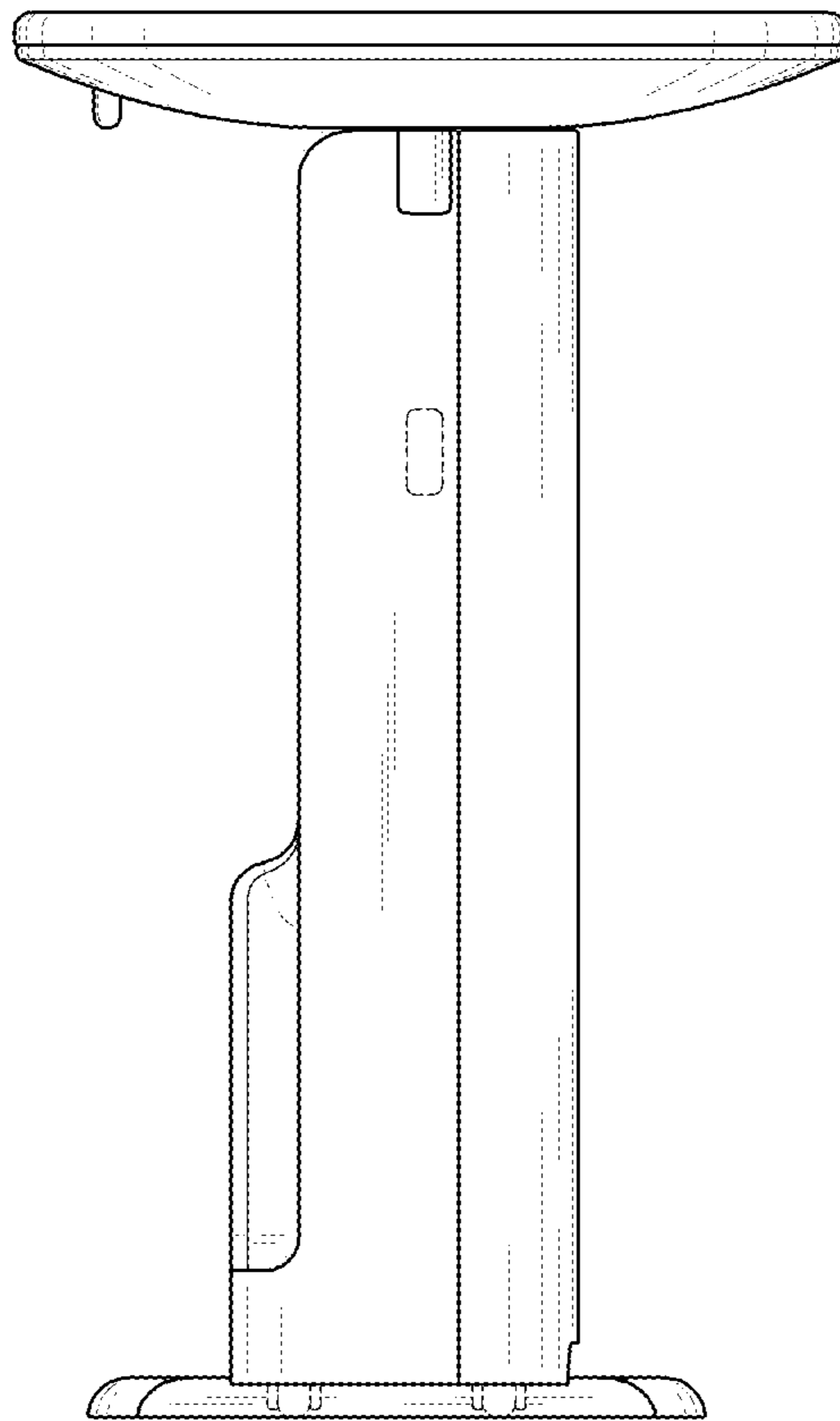


FIG. 26

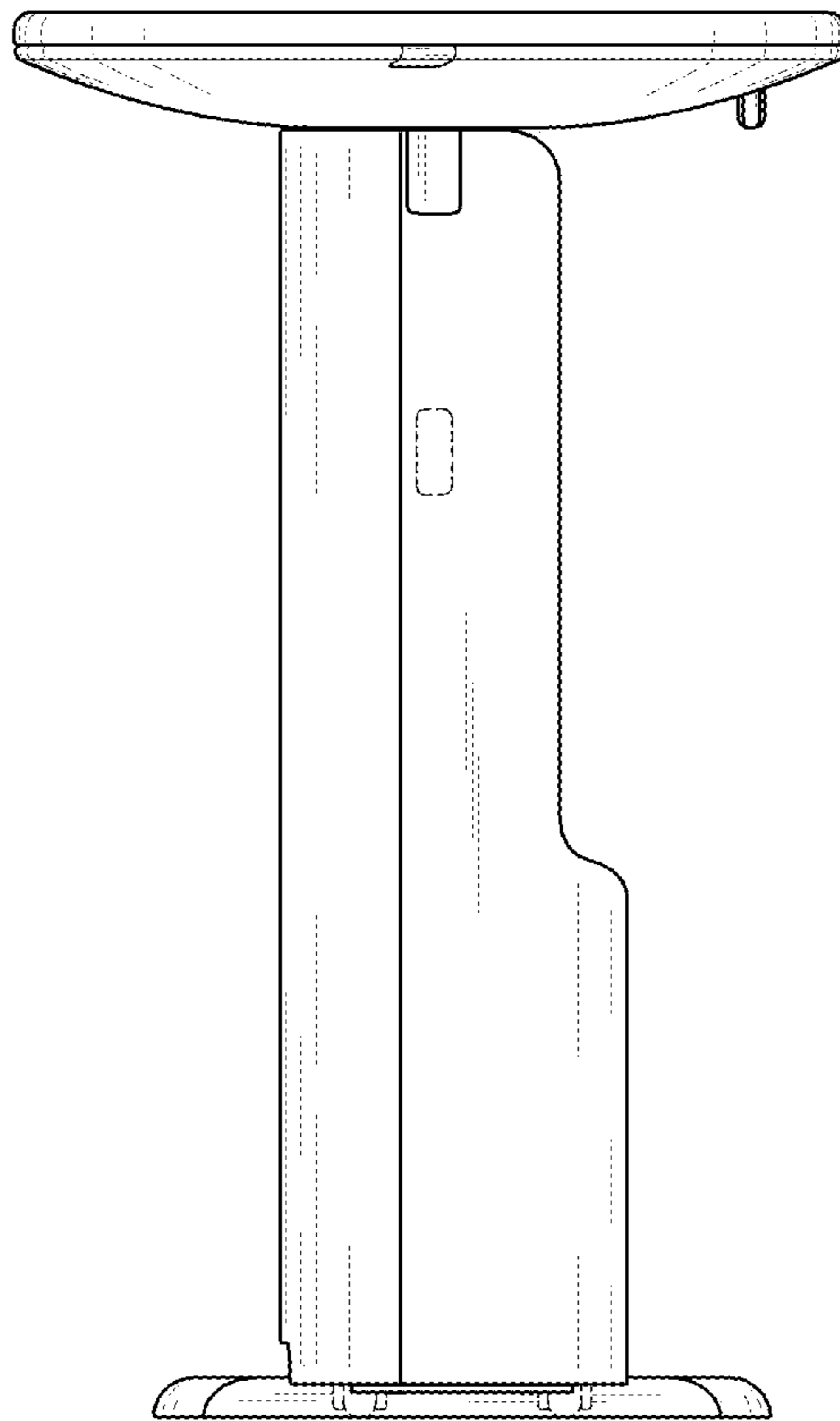


FIG. 27

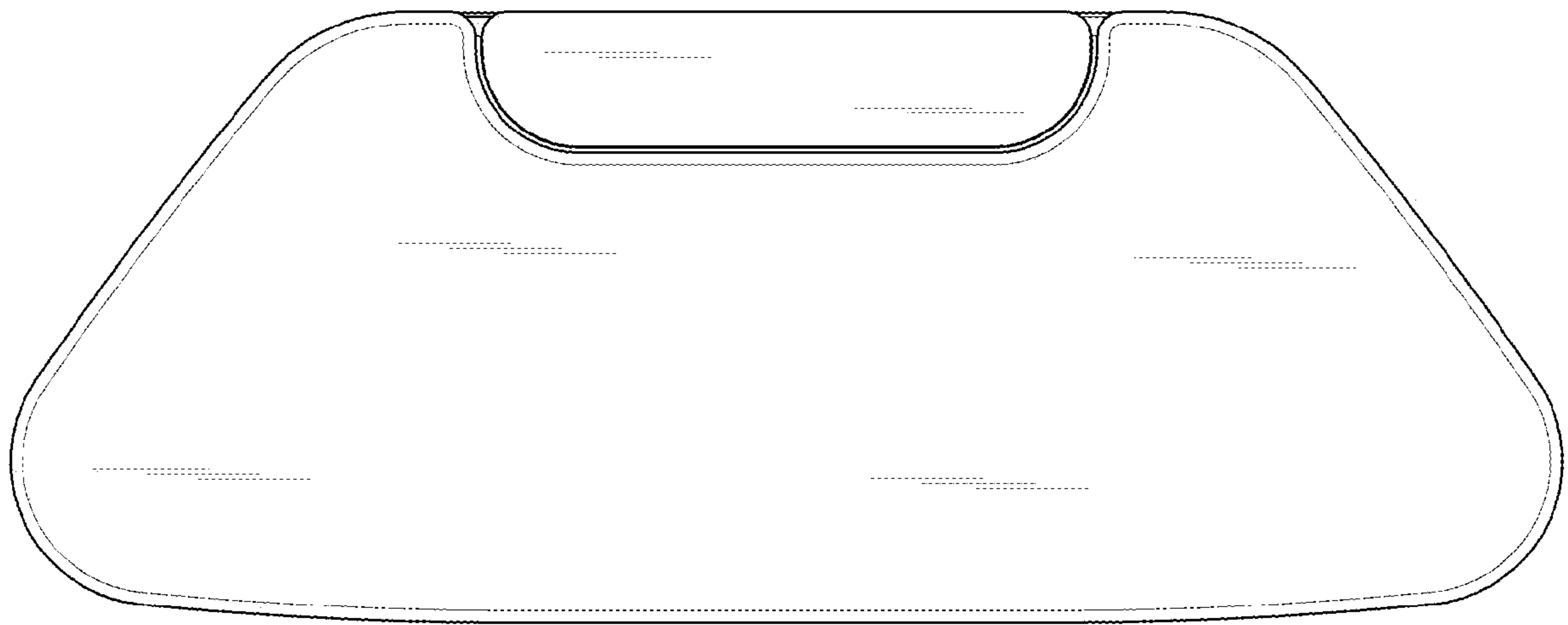


FIG. 28

