



US00D957077S

(12) **United States Design Patent**  
**Bae et al.**

(10) **Patent No.:** **US D957,077 S**

(45) **Date of Patent:** **\*\* Jul. 5, 2022**

- (54) **WASHING MACHINE AGITATOR**
- (71) Applicant: **LG ELECTRONICS INC.**, Seoul (KR)
- (72) Inventors: **Jaeil Bae**, Seoul (KR); **Anthony Ogg**, Seoul (KR); **Jaesang Lee**, Seoul (KR)
- (73) Assignee: **LG ELECTRONICS INC.**, Seoul (KR)
- (\*\*) Term: **15 Years**
- (21) Appl. No.: **29/758,138**
- (22) Filed: **Nov. 12, 2020**
- (30) **Foreign Application Priority Data**  
May 28, 2020 (KR) ..... 30-2020-0023730
- (51) **LOC (13) Cl.** ..... **15-05**
- (52) **U.S. Cl.**  
USPC ..... **D32/26**
- (58) **Field of Classification Search**  
USPC ..... D32/1, 5-6, 25-26; D21/526; D7/412; D15/139  
CPC ..... D06F 13/00; D06F 13/02; D06F 13/04; D06F 13/06; D06F 13/08; D06F 39/024; D06F 39/12  
See application file for complete search history.

- (56) **References Cited**  
**U.S. PATENT DOCUMENTS**  
1,459,483 A \* 6/1923 Unruh ..... D06F 13/00 D32/26  
1,617,030 A \* 2/1927 Roche ..... D06F 13/00 366/342  
1,688,001 A \* 10/1928 Altorfer ..... D06F 13/00 D32/26  
1,745,177 A \* 1/1930 Markley ..... D06F 13/00 68/63

- 1,812,029 A \* 6/1931 Wilson ..... D06F 13/00 D32/26
- 1,847,484 A \* 3/1932 Juengst ..... D06F 13/00 D32/26
- 1,937,884 A \* 12/1933 Geldhof ..... D06F 13/00 D32/26

(Continued)

**FOREIGN PATENT DOCUMENTS**

- CA 29243 \* 4/1967
- CA 29244 \* 4/1967

(Continued)

**OTHER PUBLICATIONS**

Agitator Assembly WH43X10034, available in [www.repairclinic.com](http://www.repairclinic.com), customer review oldest date Mar. 2, 2021 [online], [site visited Mar. 26, 2022], Available from the internet URL: <https://www.repairclinic.com/PartDetail/Agitator-Assembly/WH43X10034/1256897> (Year: 2021).\*

(Continued)

*Primary Examiner* — Amy C Wierenga  
*Assistant Examiner* — Jennylou M Binas  
(74) *Attorney, Agent, or Firm* — Birch, Stewart, Kolasch & Birch, LLP

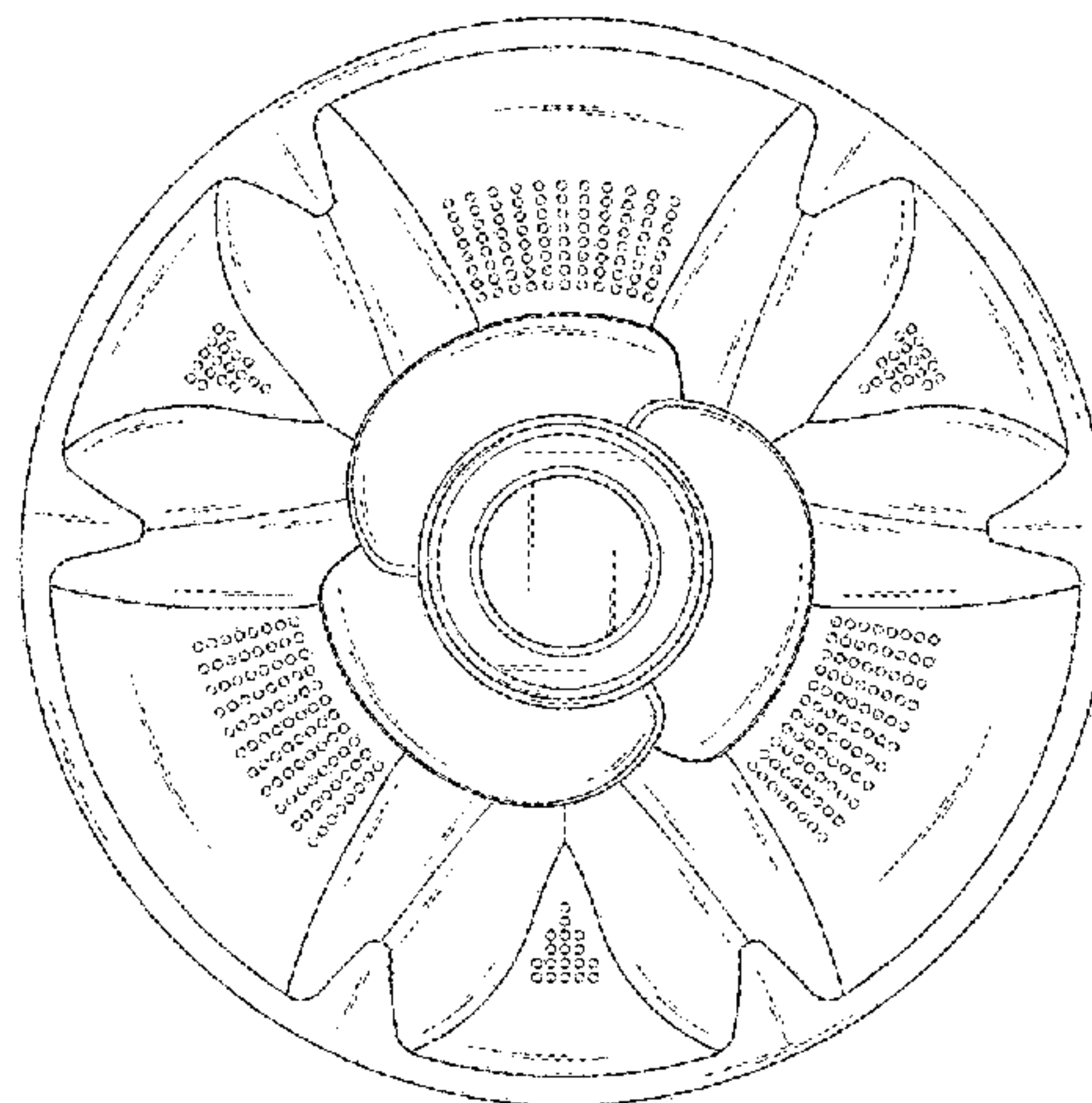
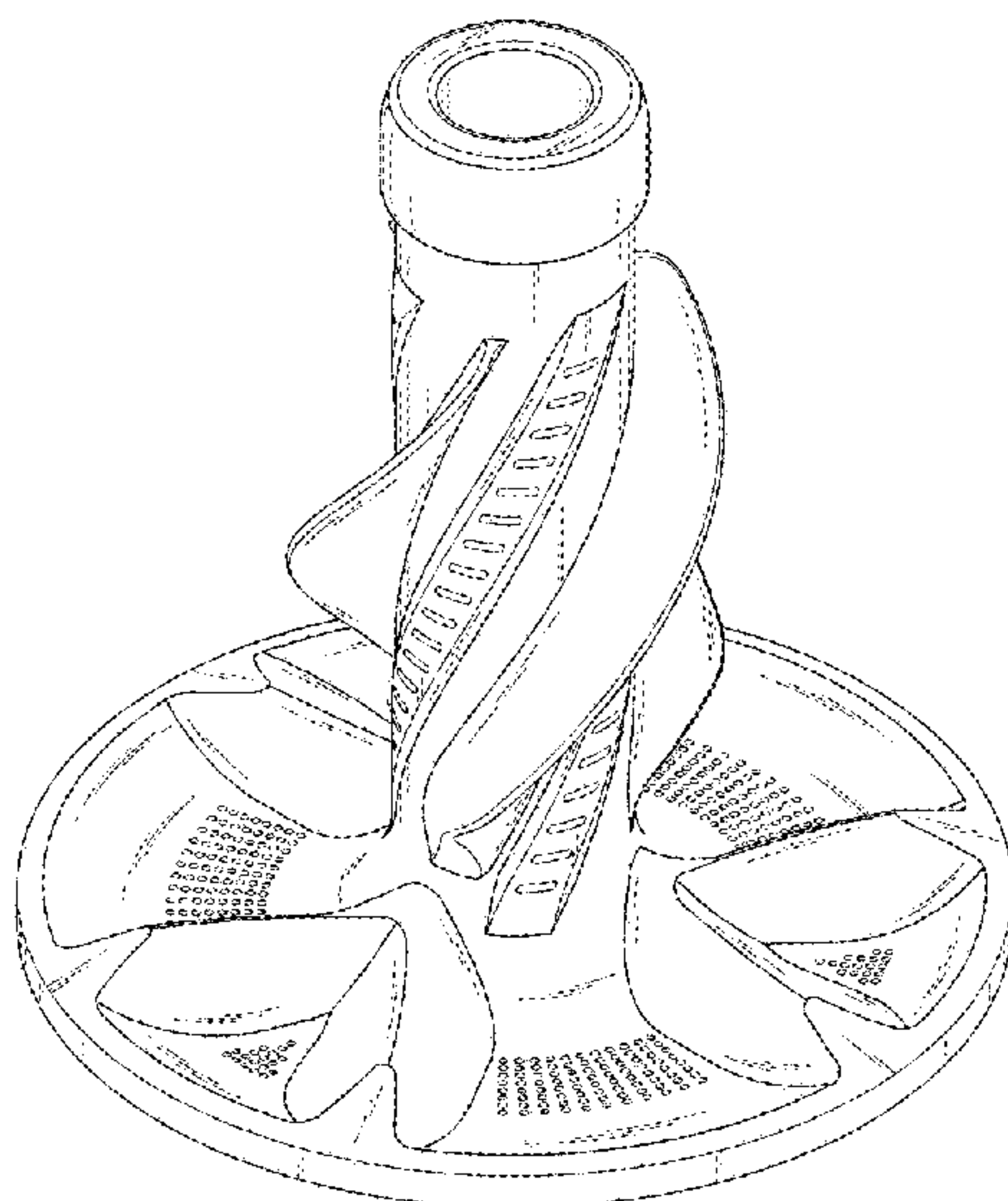
(57) **CLAIM**

We claim the ornamental design for a washing machine agitator, as shown and described.

**DESCRIPTION**

FIG. 1 is a perspective view of a washing machine agitator showing the new design;  
FIG. 2 is a front elevation view thereof;  
FIG. 3 is a rear elevation view thereof;  
FIG. 4 is a left-side elevation view thereof;  
FIG. 5 is a right-side elevation view thereof;  
FIG. 6 is a top plan view thereof; and,  
FIG. 7 is a bottom plan view thereof.

**1 Claim, 7 Drawing Sheets**



(56)

References Cited

U.S. PATENT DOCUMENTS

2,034,527 A \* 3/1936 Nelson ..... D06F 13/00  
68/133  
D100,861 S \* 8/1936 Hume ..... D32/26  
D105,517 S \* 8/1937 Geldhof ..... D32/26  
D108,158 S \* 1/1938 Litle, Jr. .... D32/26  
D112,658 S \* 12/1938 Kirby ..... D32/26  
D116,978 S \* 10/1939 Conterman ..... D32/26  
D127,576 S \* 6/1941 Barber ..... D32/26  
D133,042 S \* 7/1942 Nelligan et al. .... 68/133  
2,722,118 A \* 11/1955 Guthrie ..... D06F 13/02  
D32/26  
2,748,045 A \* 5/1956 Kelly ..... B29C 70/345  
156/196  
D196,194 S \* 9/1963 Krolzick ..... D32/26  
D199,632 S \* 11/1964 Ohmann ..... D32/26  
D205,044 S \* 6/1966 Tichenor ..... D32/26  
D209,007 S \* 10/1967 Smith ..... D32/26  
D209,008 S \* 10/1967 Smith ..... D32/26  
D209,009 S \* 10/1967 Smith ..... D32/26  
D210,240 S \* 2/1968 Trembath ..... D32/26  
D314,263 S \* 1/1991 Mueller ..... D32/26  
D357,561 S \* 4/1995 Kropf ..... D32/26  
D485,654 S \* 1/2004 Clark ..... D32/26  
D730,603 S \* 5/2015 Jeon ..... D32/26  
D739,103 S \* 9/2015 Yang ..... D32/26  
D762,028 S \* 7/2016 Rodrigues ..... D32/26  
D814,128 S \* 3/2018 Shin ..... D32/26  
D829,397 S \* 9/2018 Ha ..... D32/26  
D852,442 S \* 6/2019 Choi ..... D32/26  
D923,890 S \* 6/2021 Wörwag ..... D32/26

D932,834 S \* 10/2021 Wollam ..... D8/7  
D933,915 S \* 10/2021 Bae ..... D32/26  
D933,916 S \* 10/2021 Bae ..... D32/26  
D933,917 S \* 10/2021 Bae ..... D32/26  
D933,918 S \* 10/2021 Kim ..... D32/26  
D933,919 S \* 10/2021 Kim ..... D32/26  
D935,120 S \* 11/2021 Bae ..... D32/26

FOREIGN PATENT DOCUMENTS

CA 29245 \* 4/1967  
IN 208926-0001 \* 3/2012  
IN 330376-001-0001 \* 6/2021  
SG 2014450F-0001 \* 4/2014

OTHER PUBLICATIONS

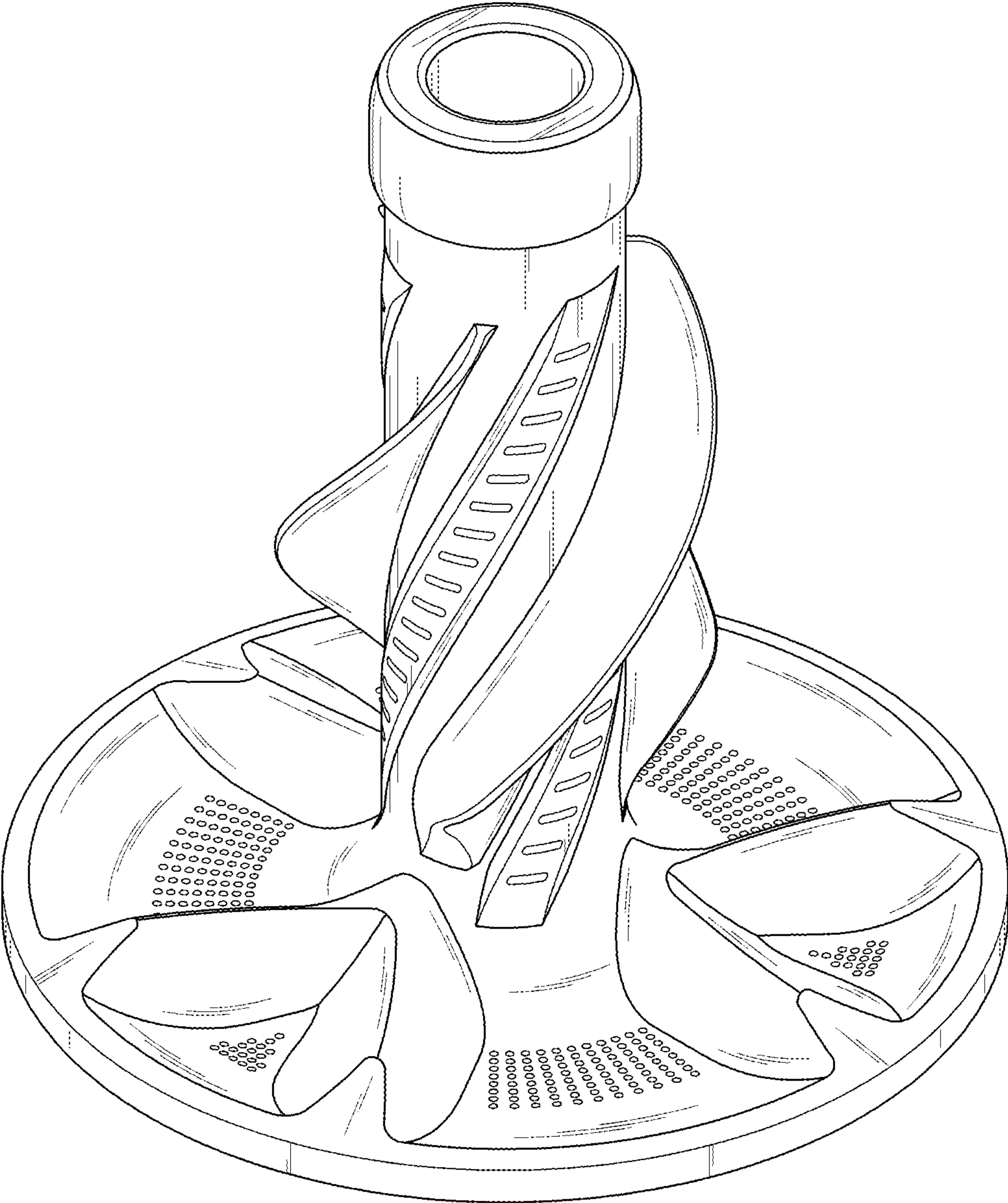
Fisher / Paykel 425025P Agitator Pkd, available in www.amazon.com, date first available Aug. 16, 2013 [online], [site visited date], Available from the internet URL: [https://www.amazon.com/dp/B00IRVLGMK/ref=sspa\\_dk\\_detail\\_3](https://www.amazon.com/dp/B00IRVLGMK/ref=sspa_dk_detail_3) (Year: 2013).\*

Washing Machine Agitator Repair (All Models), announced in YouTube on Nov. 13, 2017 [online], [site visited Mar. 26, 2022], Available from the internet URL: Washing Machine Agitator Repair (All Models) (Year: 2017).\*

Whirlpool 3951744 Washer Agitator, available in www.amazon.com, date first available Aug. 2, 2008 [online], [site visited date], Available from the internet URL: [https://www.amazon.com/Whirlpool-3951744-Agitator-for-Washer/dp/B0053F83Z6/ref=psdc\\_13397451\\_t1\\_B09J2BP1ZK](https://www.amazon.com/Whirlpool-3951744-Agitator-for-Washer/dp/B0053F83Z6/ref=psdc_13397451_t1_B09J2BP1ZK) (Year: 2008).\*

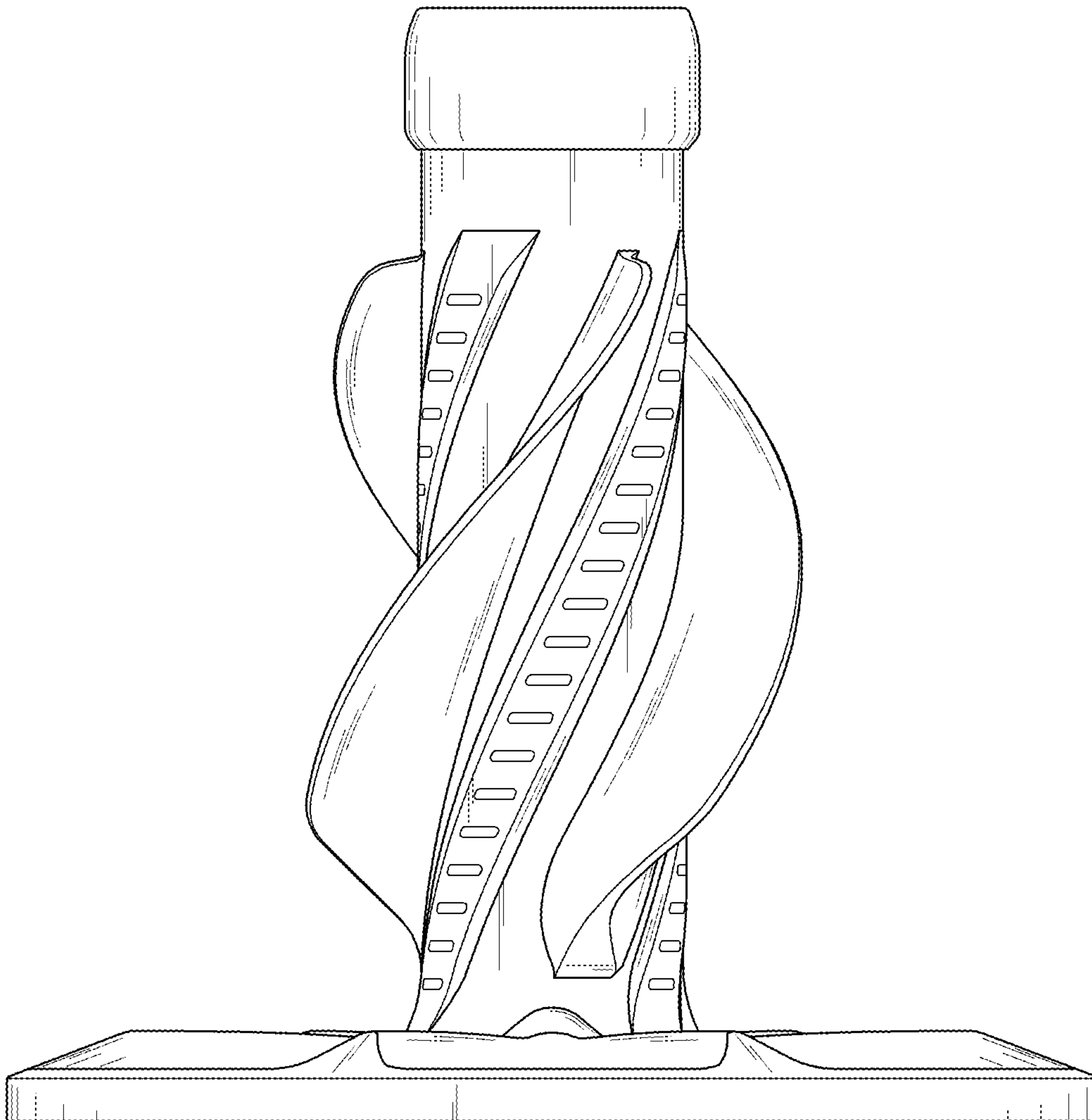
\* cited by examiner

FIG. 1

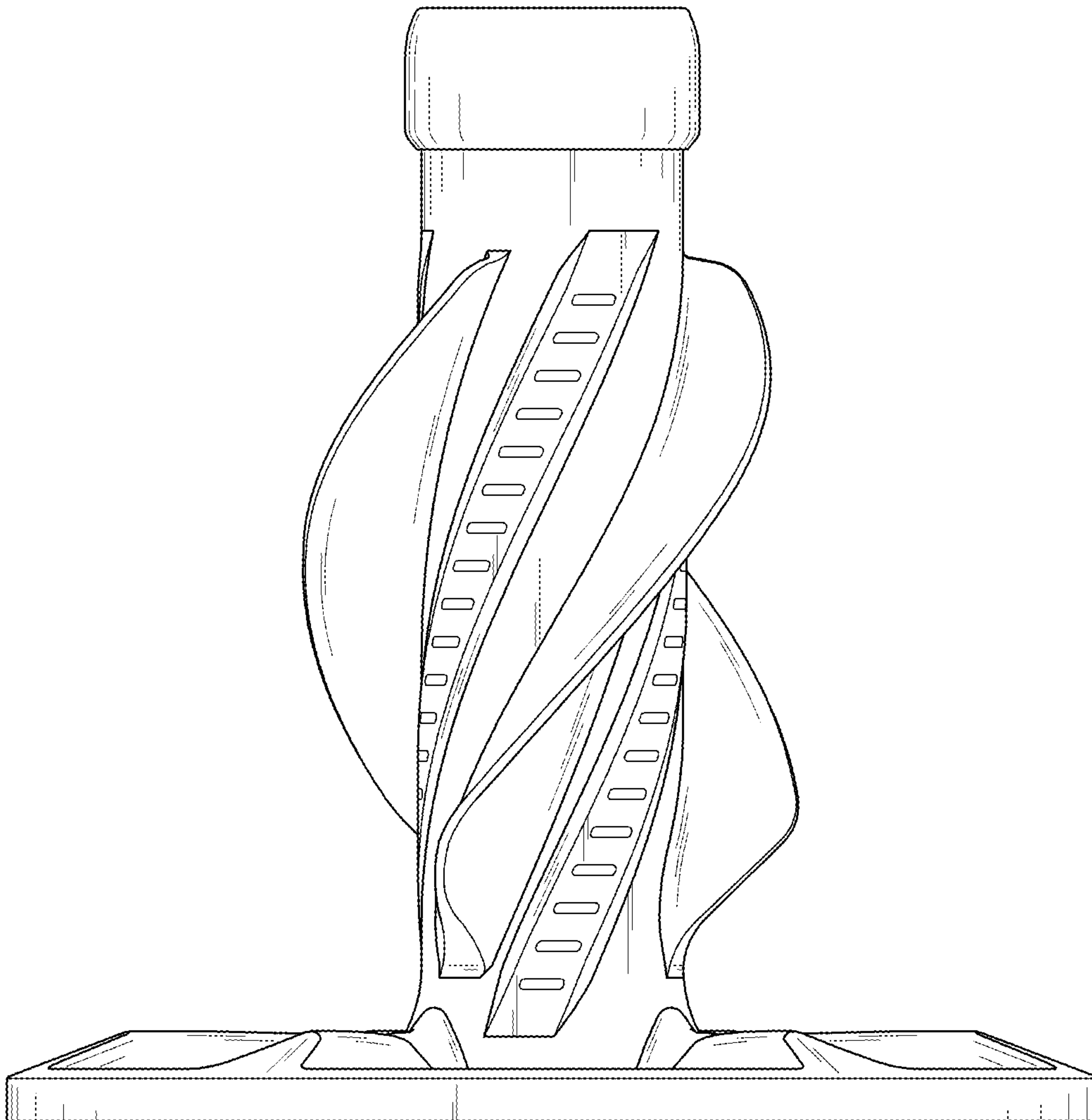




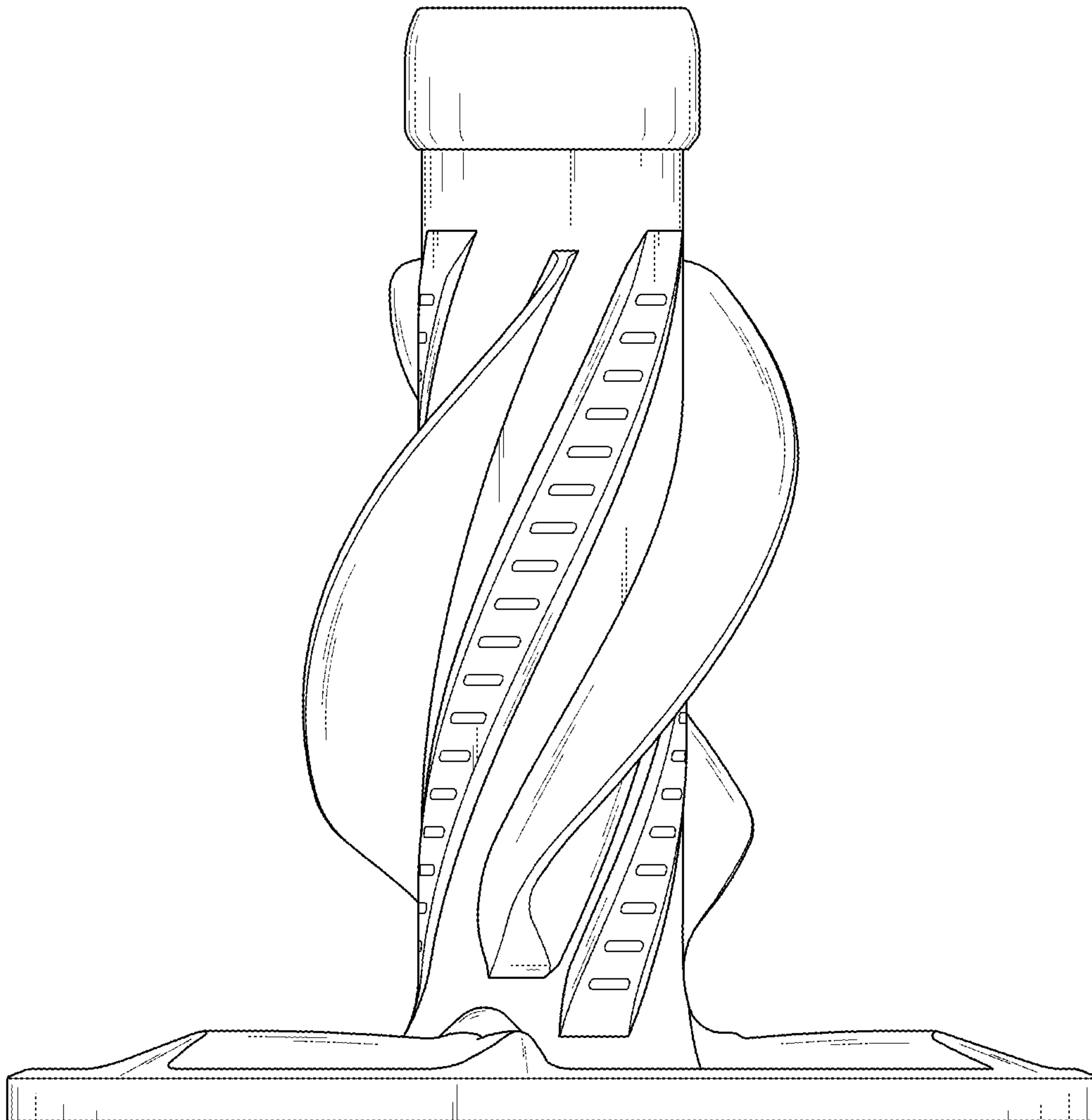
*FIG. 2*



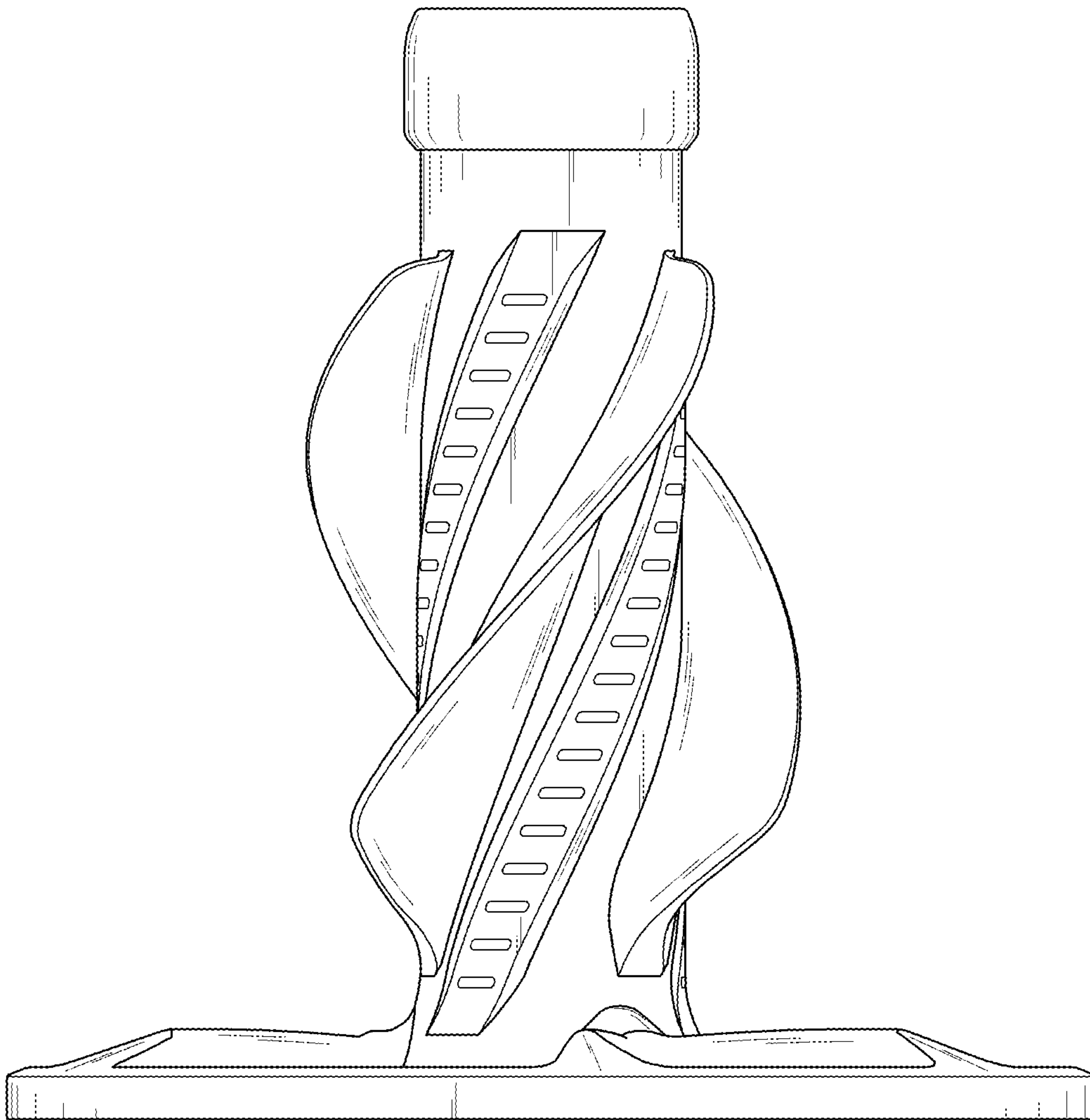
*FIG. 3*



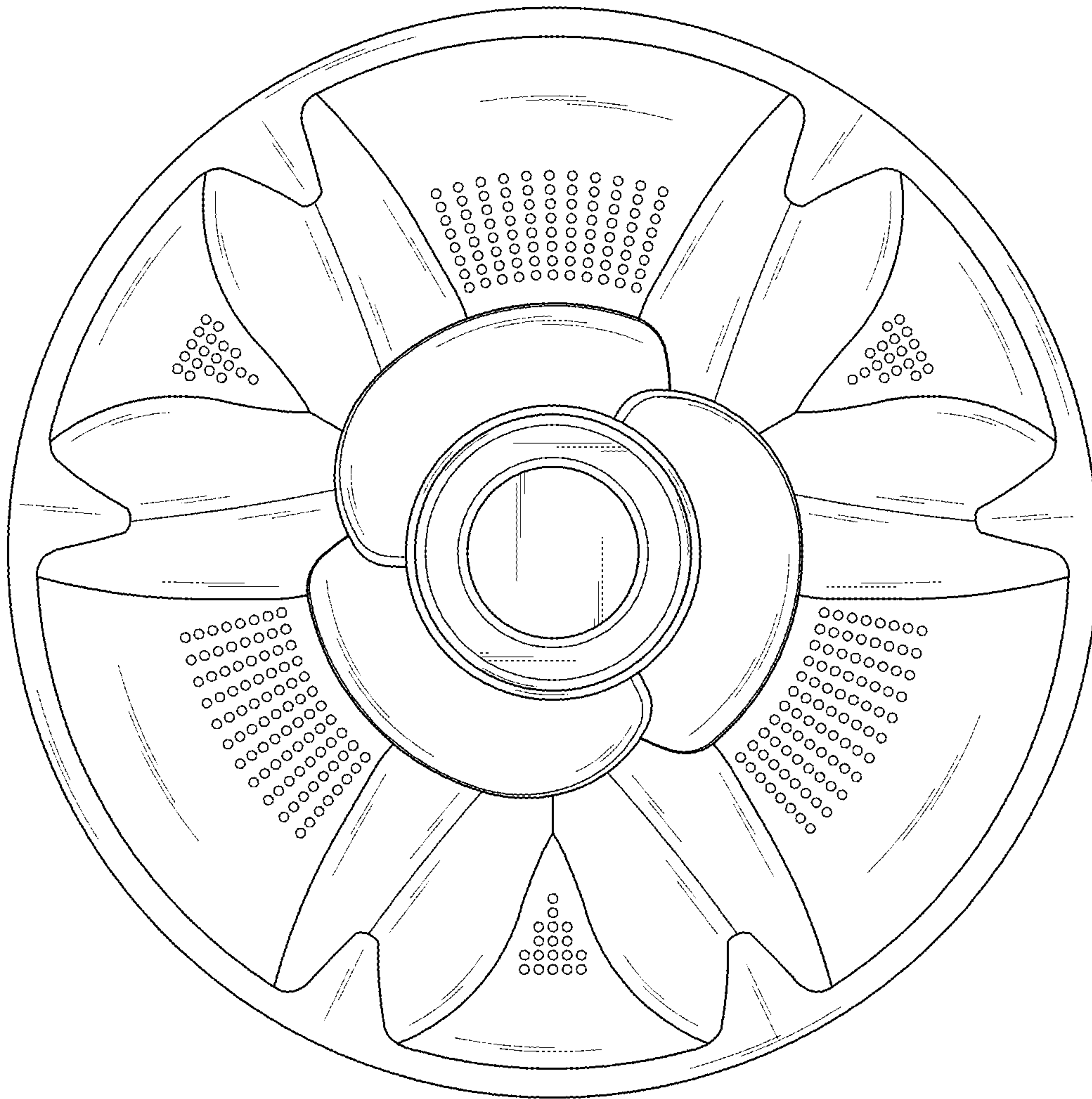
*FIG. 4*



*FIG. 5*



*FIG. 6*





*FIG. 7*

