



US00D957076S

(12) **United States Design Patent** (10) **Patent No.:** **US D957,076 S**
Jiang et al. (45) **Date of Patent:** **** Jul. 5, 2022**

(54) **HANDHELD VACUUM CLEANER**
(71) Applicant: **Dreame Innovation Technology**
(Suzhou) Co., Ltd., Suzhou (CN)
(72) Inventors: **Ce Jiang, Suzhou (CN); Lin Shi,**
Suzhou (CN); Zhao Gao, Suzhou (CN)
(73) Assignee: **Dreame Innovation Technology**
(Suzhou) Co., Ltd., Suzhou (CN)

D891,014 S * 7/2020 Chu D32/18
D937,510 S * 11/2021 Xu D32/18
D937,514 S * 11/2021 Zou D32/18
(Continued)

(**) Term: **15 Years**
(21) Appl. No.: **29/757,991**
(22) Filed: **Nov. 11, 2020**

FOREIGN PATENT DOCUMENTS

CN 305447417 S 4/2019
CN 305492536 S 12/2019
(Continued)

(30) **Foreign Application Priority Data**

May 15, 2020 (CN) 202030222925.7

(51) **LOC (13) Cl.** **15-05**
(52) **U.S. Cl.**
USPC **D32/18**

OTHER PUBLICATIONS

Walmart.com APOSEN Handheld Vacuum <https://www.walmart.com/ip/APOSEN-Handheld-Vacuum-16Kpa-Strong-Suction-Hand-Car-Vacuum-Cleaner-Cordless-35min-Runtime-With-Charging-Dock-for-Pet-Hair-Car/317000379> (Year: 2019).*
(Continued)

(58) **Field of Classification Search**
USPC D32/17, 18, 21, 25, 31, 32, 33, 34, 23
CPC A47L 11/24; A47L 11/33; A47L 11/32;
A47L 9/1666; A47L 9/1608; A47L 11/00;
A47L 11/38; A47L 5/24; Y10S 55/03
See application file for complete search history.

Primary Examiner — Michelle E. Wilson
Assistant Examiner — Richard E Yenchesky
(74) *Attorney, Agent, or Firm* — Westbridge IP LLC

(56) **References Cited**

U.S. PATENT DOCUMENTS

2,007,631 A * 7/1935 Bieth A47L 5/362
55/482
2,464,401 A * 3/1949 Kelly A47L 9/22
55/467
D290,776 S * 7/1987 Wallin D8/30
D314,650 S * 2/1991 Pudwill D32/18
D368,838 S * 4/1996 Paklaian D24/114
D812,829 S * 3/2018 Shin D06F 87/00
D32/25

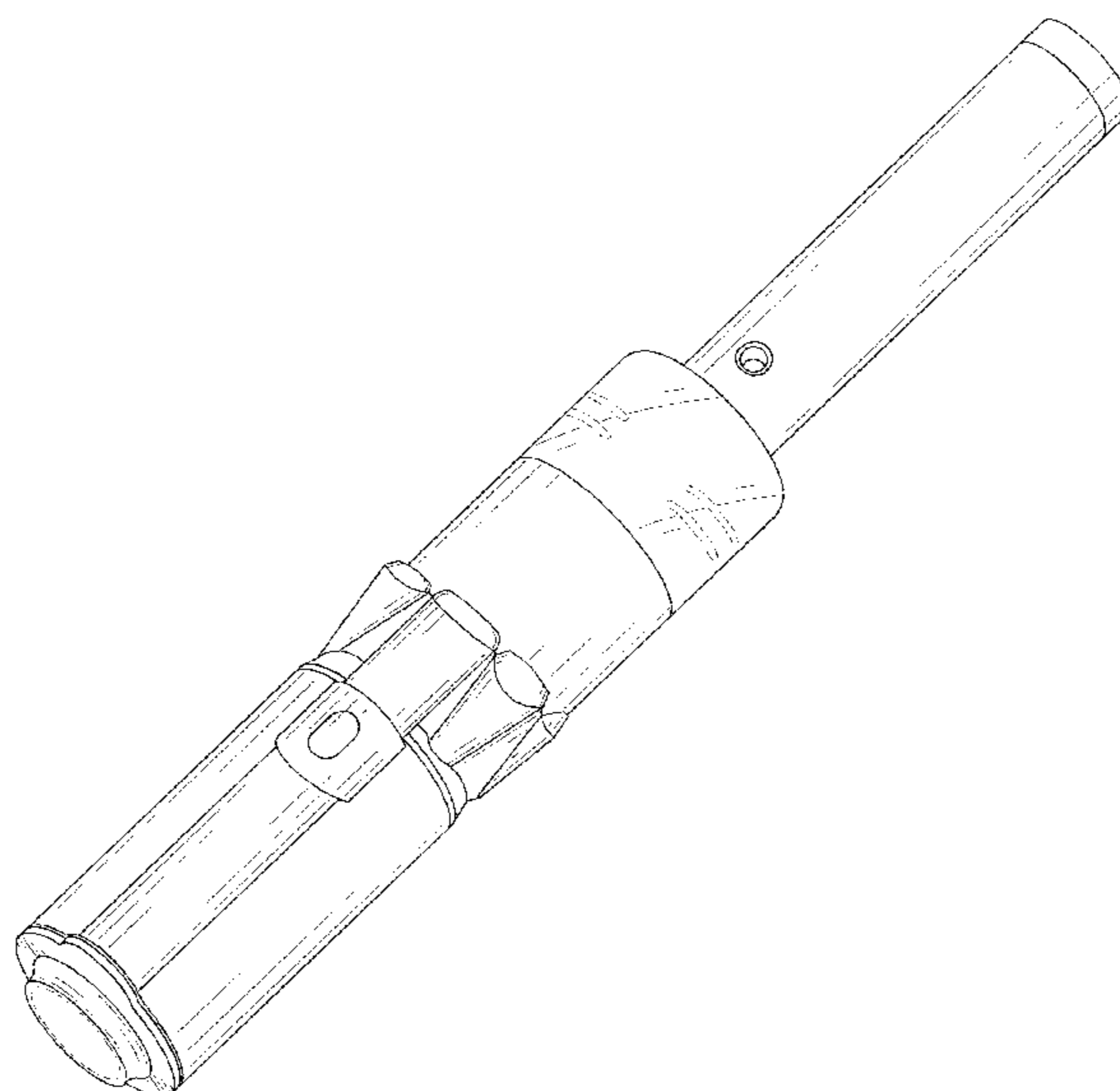
(57) **CLAIM**

The ornamental design for a handheld vacuum cleaner, as shown and described.

DESCRIPTION

FIG. 1 is a front perspective view of a handheld vacuum cleaner showing our new design;
FIG. 2 is a front elevational view thereof;
FIG. 3 is a rear elevational view thereof;
FIG. 4 is a left side elevational view thereof;
FIG. 5 is a right side elevational view thereof;
FIG. 6 is a top plan view thereof; and,
FIG. 7 is a bottom plan view thereof.
The oblique lines in the drawings depict portions of the handheld vacuum cleaner that are transparent or translucent. The broken lines in the drawings depict portions of the handheld vacuum cleaner that form no part of the claimed design.

1 Claim, 7 Drawing Sheets



(56)

References Cited

U.S. PATENT DOCUMENTS

D943,851 S * 2/2022 Zhang D32/23
D945,095 S * 3/2022 Dimbylow D32/22
D945,724 S * 3/2022 Dimbylow D32/22
2019/0282048 A1 * 9/2019 Conrad A47L 9/16
2019/0282049 A1 * 9/2019 Conrad A47L 9/322
2019/0282051 A1 * 9/2019 Conrad A47L 9/1608
2019/0282052 A1 * 9/2019 Conrad A47L 9/1666
2019/0290082 A1 * 9/2019 Conrad A47L 9/106
2019/0290083 A1 * 9/2019 Conrad A47L 9/2868
2019/0290084 A1 * 9/2019 Conrad A47L 5/225
2019/0328188 A1 * 10/2019 Conrad A47L 9/322
2020/0288931 A1 * 9/2020 Conrad A47L 9/125
2021/0361131 A1 * 11/2021 Conrad A47L 9/122

FOREIGN PATENT DOCUMENTS

CN 305560909 S 1/2020
JP D1340082 9/2008
JP D1679696 * 2/2021
JP D1682970 * 1/2022
KR 3011014780001 * 12/2019
KR 301145234 * 1/2022

OTHER PUBLICATIONS

Amazon.com Handheld Vacuum Cordless [https://www.amazon.com/Handheld-Cordless-Lightweight-Powerful-Detachable/dp/B093614TJD/](https://www.amazon.com/Handheld-Cordless-Lightweight-Powerful-Detachable/dp/B093614TJD/ref=asc_df_B093614TJD/) (Year: 2021).*

Amazon.com_ High Power Mini car Vacuum [https://www.amazon.com/Cleaner-Cordless-Handheld-Portable-Interior/dp/B09BJ8P624/](https://www.amazon.com/Cleaner-Cordless-Handheld-Portable-Interior/dp/B09BJ8P624/ref=asc_df_B09BJ8P624/) (Year: 2021).*

* cited by examiner

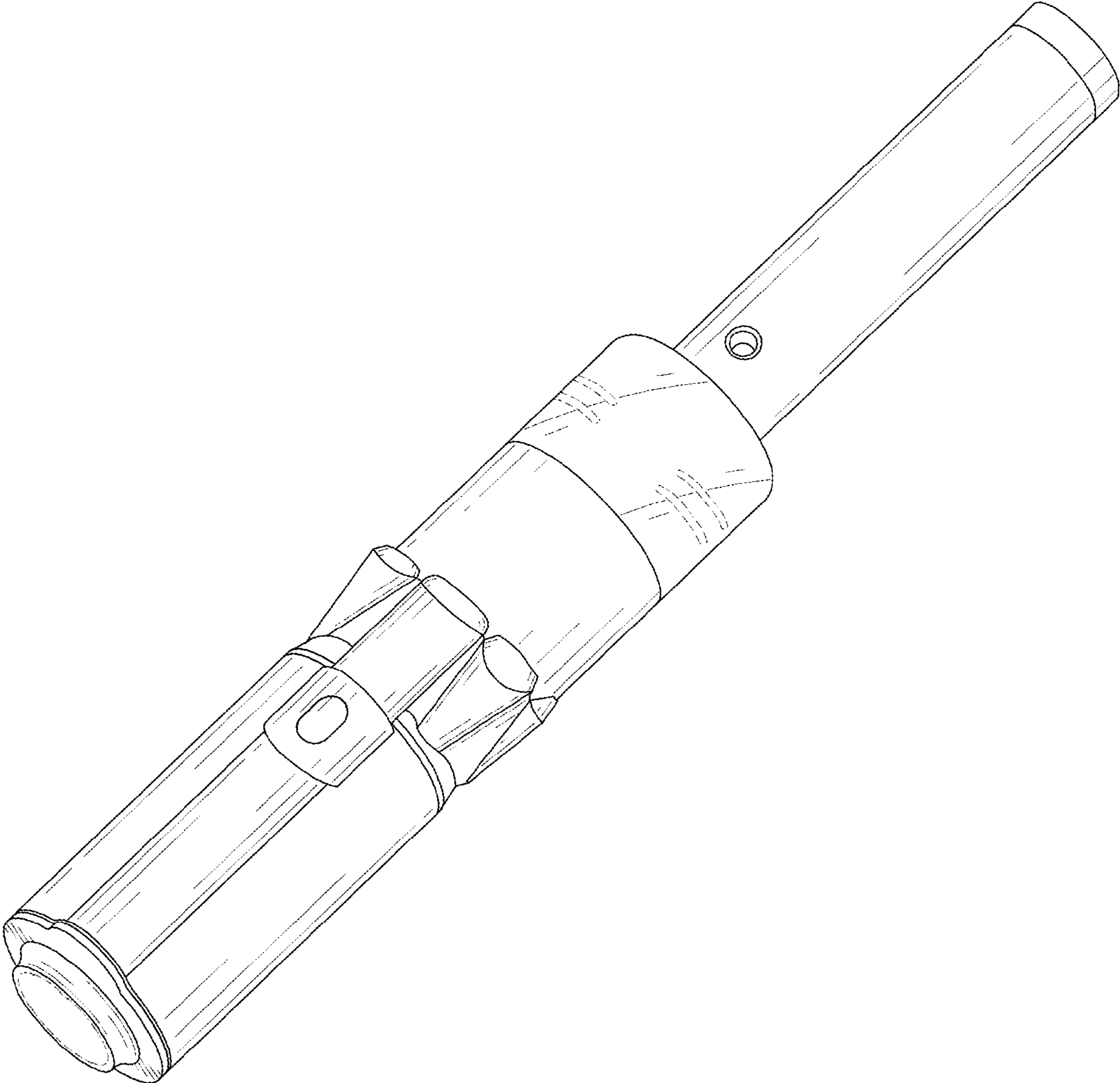


FIG. 1

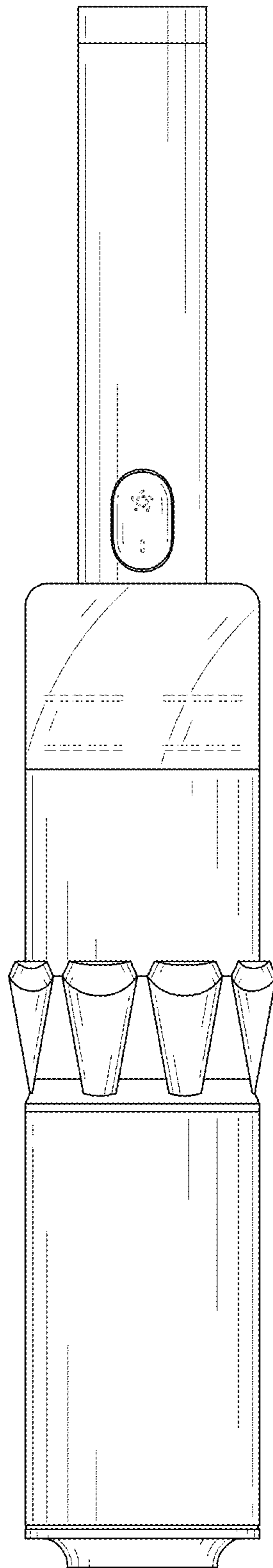


FIG. 2

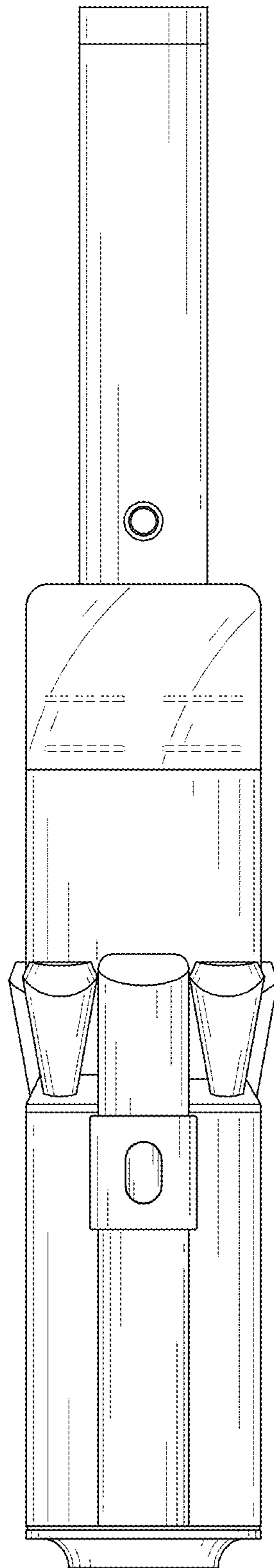


FIG. 3

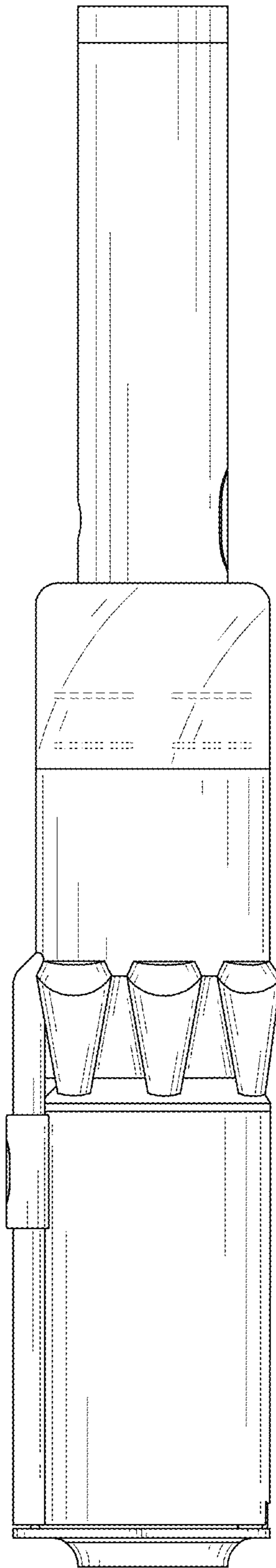


FIG. 4

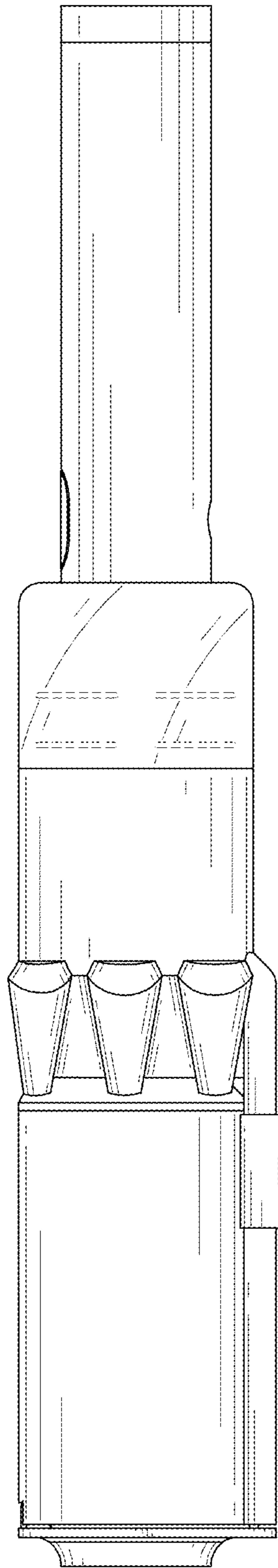


FIG. 5

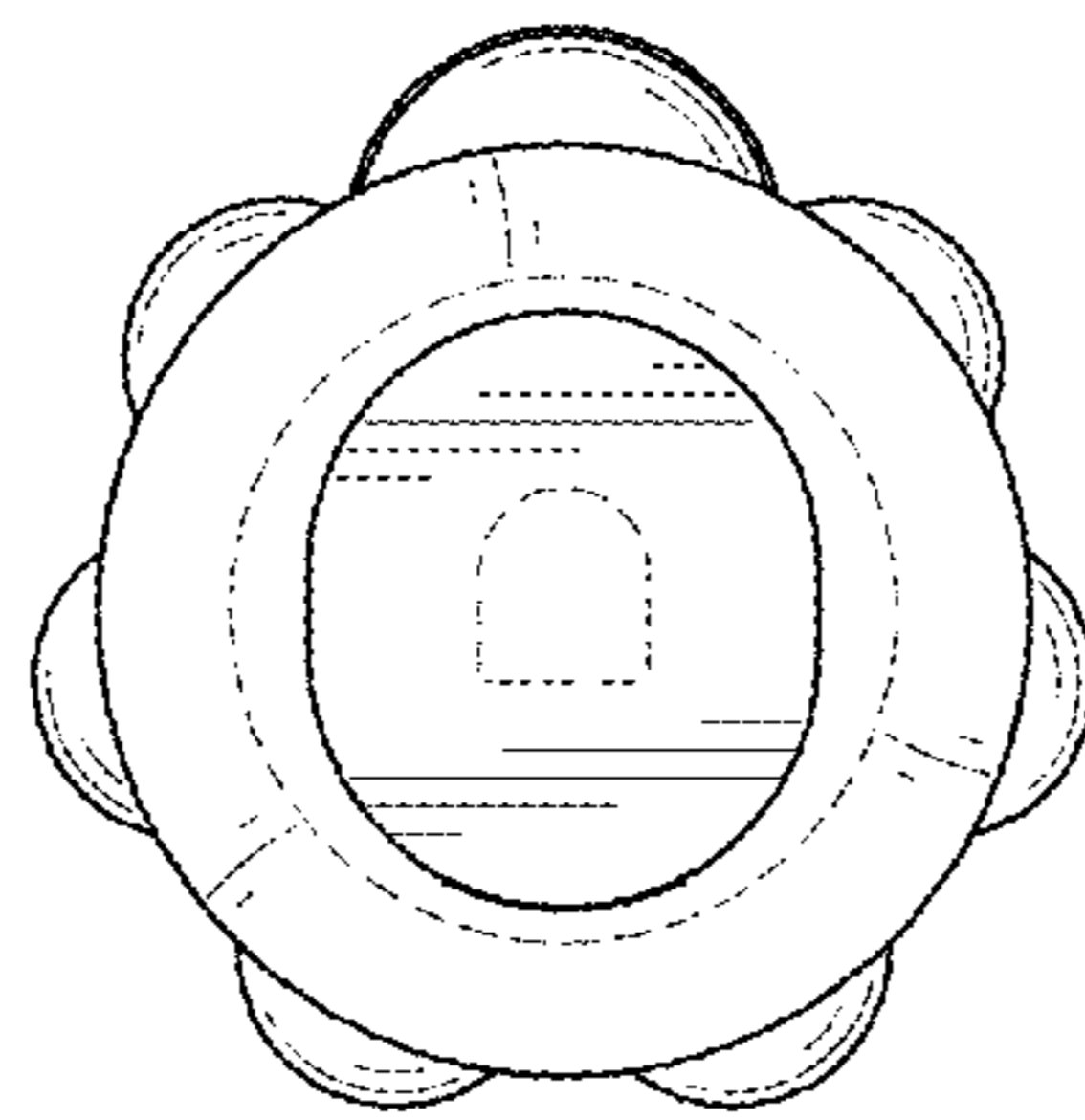


FIG. 6

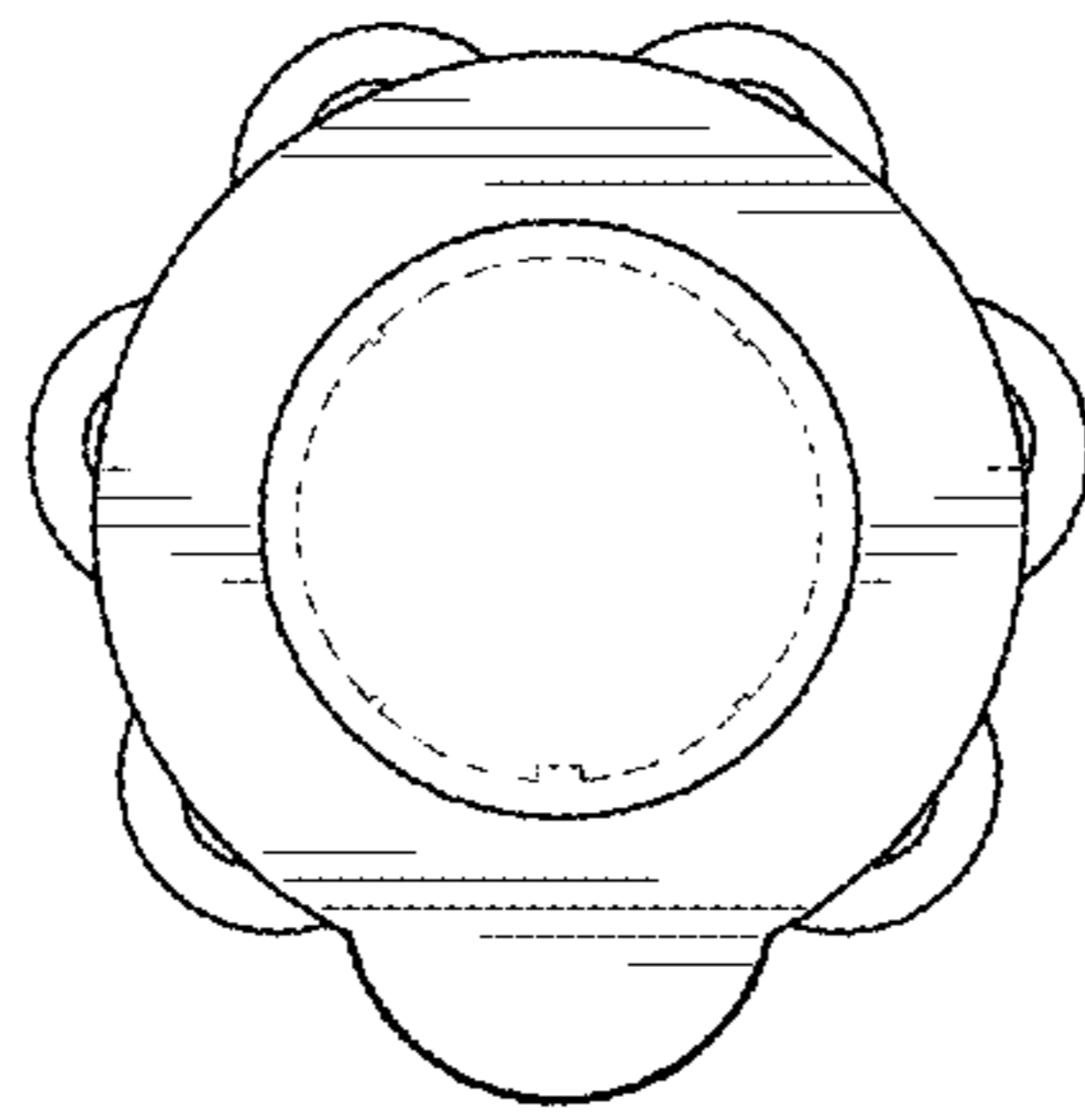


FIG. 7