



US00D957074S

(12) **United States Design Patent** (10) **Patent No.:** **US D957,074 S**  
**Lee et al.** (45) **Date of Patent:** **\*\* Jul. 5, 2022**

(54) **ELECTRONIC WASHING AND DRYING MACHINE FOR LAUNDRY PURPOSE**

(71) Applicant: **LG ELECTRONICS INC.,** Seoul (KR)

(72) Inventors: **Junghwan Lee,** Seoul (KR); **Hoil Jeon,** Seoul (KR); **Sojin Park,** Seoul (KR); **Eunyoung Chee,** Seoul (KR); **Nerry Son,** Seoul (KR); **Hyewon Kim,** Seoul (KR)

(73) Assignee: **LG ELECTRONICS INC.,** Seoul (KR)

(\*\*) Term: **15 Years**

(21) Appl. No.: **29/733,547**

(22) Filed: **May 4, 2020**

(30) **Foreign Application Priority Data**

Nov. 7, 2019 (KR) ..... 30-2019-0053064

(51) **LOC (13) Cl.** ..... **15-05**

(52) **U.S. Cl.**  
USPC ..... **D32/5**

(58) **Field of Classification Search**  
USPC ..... D21/526; D32/5, 6, 8, 11, 25  
CPC ..... D06F 25/00; D06F 95/00; D06F 3/02  
See application file for complete search history.

(56) **References Cited**

**U.S. PATENT DOCUMENTS**

D298,873 S *	12/1988	Erickson	.....	D32/5
D458,316 S *	6/2002	Bao	.....	D21/526
D517,254 S *	3/2006	Geyer	.....	D32/5
D531,765 S *	11/2006	Schoene	.....	D32/8
D544,157 S *	6/2007	Crookshanks	.....	D32/25
D589,216 S *	3/2009	Park	.....	D32/6
D640,020 S *	6/2011	Helot	.....	D32/5
D739,095 S *	9/2015	Shu	.....	D32/6

9,416,475 B2 *	8/2016	Kulkarni	.....	D06F 25/00
D769,553 S *	10/2016	Lee	.....	D32/6
D770,698 S *	11/2016	Lee	.....	D32/6
D776,374 S *	1/2017	Lee	.....	D32/11
D780,386 S *	2/2017	Lee	.....	D32/6
D781,004 S *	3/2017	Lee	.....	D32/6
D806,329 S *	12/2017	Carlehed	.....	D32/6
D816,925 S *	5/2018	Bixby	.....	D32/6

(Continued)

**OTHER PUBLICATIONS**

Lowe's <https://www.lowes.com/pd/LG-WashTower-Electric-Stacked-Laundry-Center-with-4-5-cu-ft-Washer-and-7-4-cu-ft-Dryer-ENERGY-STAR/5001634635> (Year: 2020).\*

*Primary Examiner* — Michelle E. Wilson

*Assistant Examiner* — Richard E Yenchesky

(74) *Attorney, Agent, or Firm* — Birch, Stewart, Kolasch & Birch, LLP

(57) **CLAIM**

The ornamental design for an electronic washing and drying machine for laundry purpose, as shown and described.

**DESCRIPTION**

FIG. 1 is a front perspective view of the electronic washing and drying machine for laundry purpose showing our new design;

FIG. 2 is a front view thereof;

FIG. 3 is a rear view thereof;

FIG. 4 is a left view thereof;

FIG. 5 is a right view thereof;

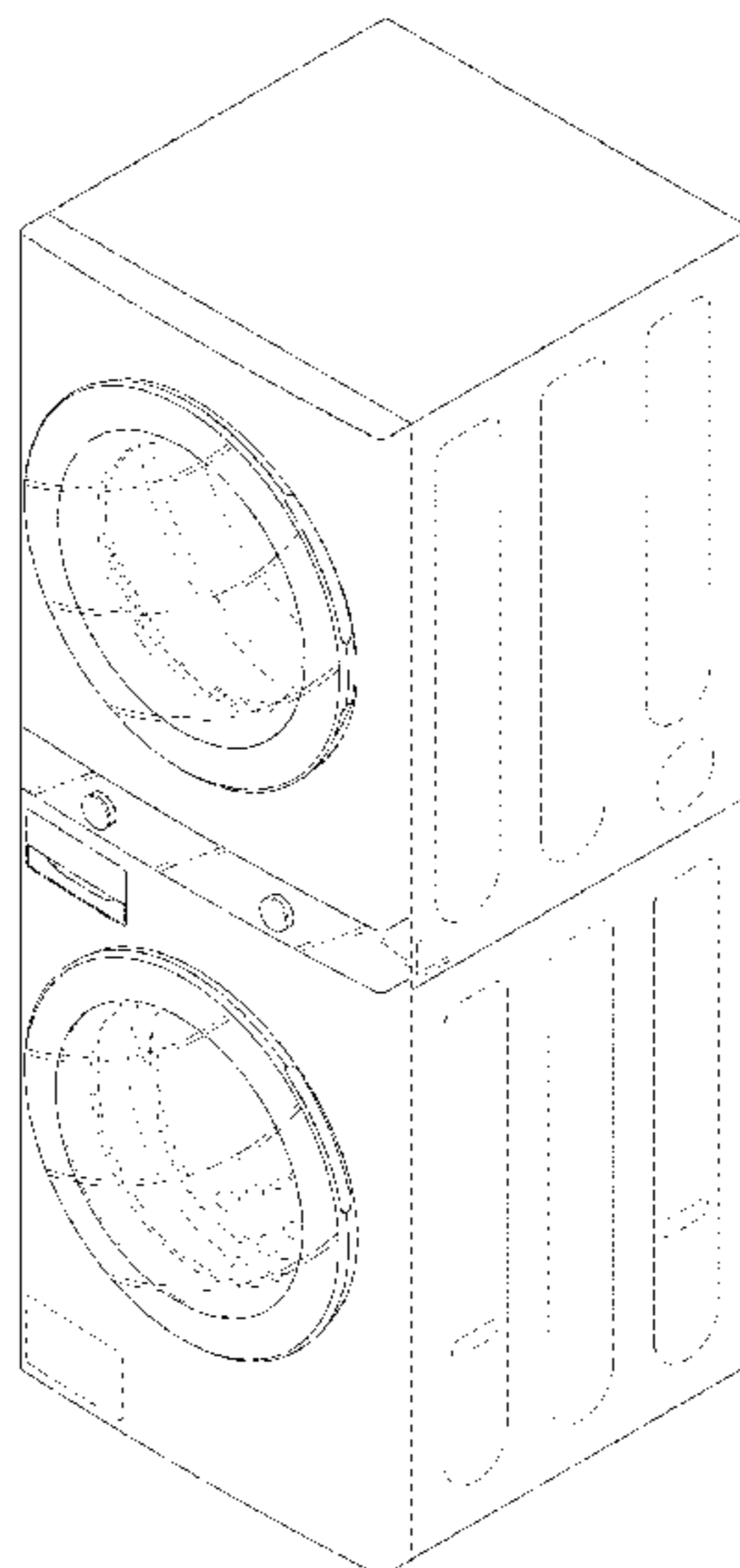
FIG. 6 is a top view thereof;

FIG. 7 is a bottom view thereof; and,

FIG. 8 is a perspective view, with the control panel shown in use.

The broken lines depict portions of the electronic washing and drying machine for laundry purpose that form no part of the claimed design.

**1 Claim, 8 Drawing Sheets**



(56)

**References Cited**

U.S. PATENT DOCUMENTS

D836,267 S *	12/2018	Ha	.....	D32/6
D836,269 S *	12/2018	Ha	.....	D32/6
D836,860 S *	12/2018	Ha	.....	D32/6
D851,844 S *	6/2019	Kong	.....	D32/5
D853,062 S *	7/2019	Yoo	.....	D32/25
2007/0169519 A1 *	7/2007	Hershey	.....	D06F 95/00 68/3 R

\* cited by examiner

FIG. 1

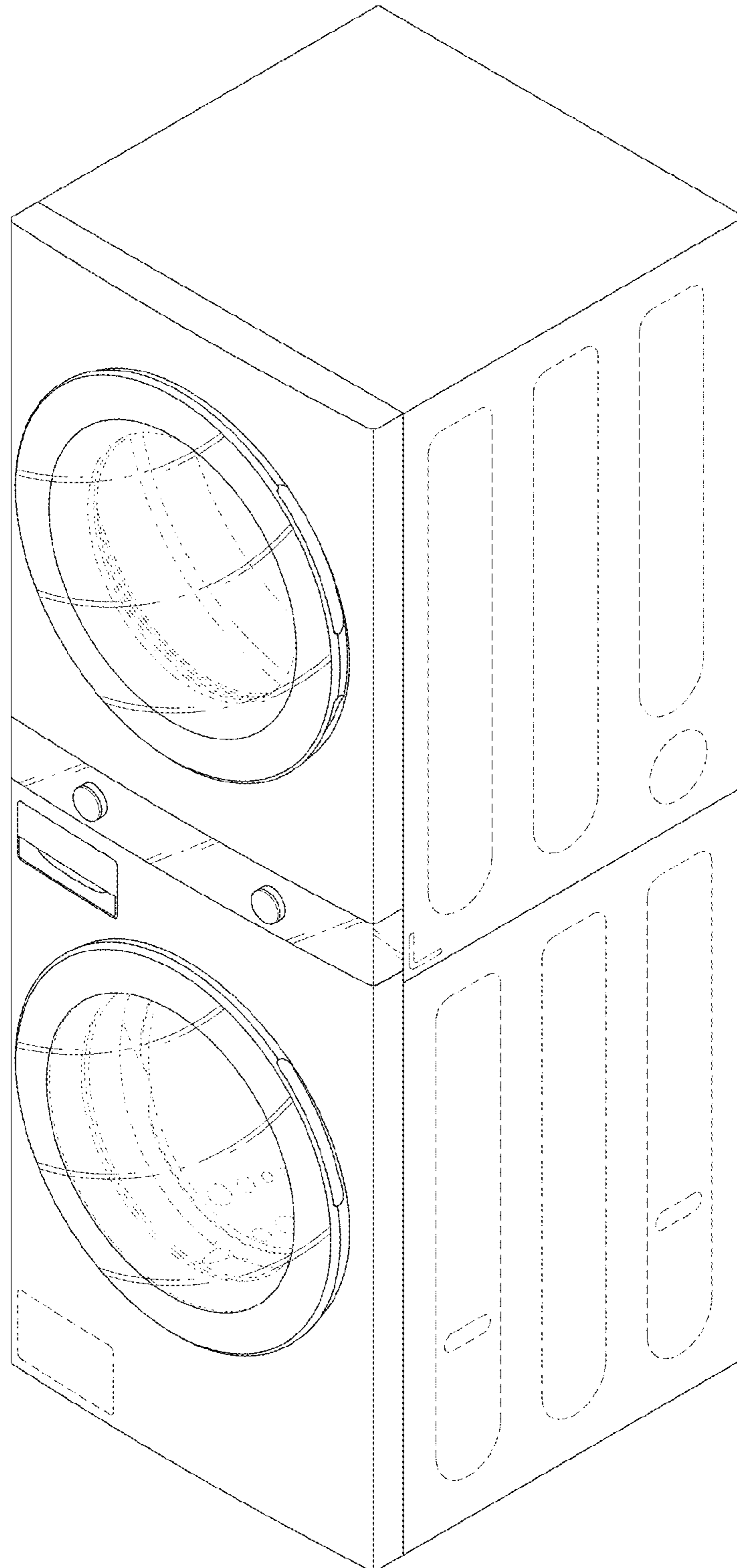


FIG. 2

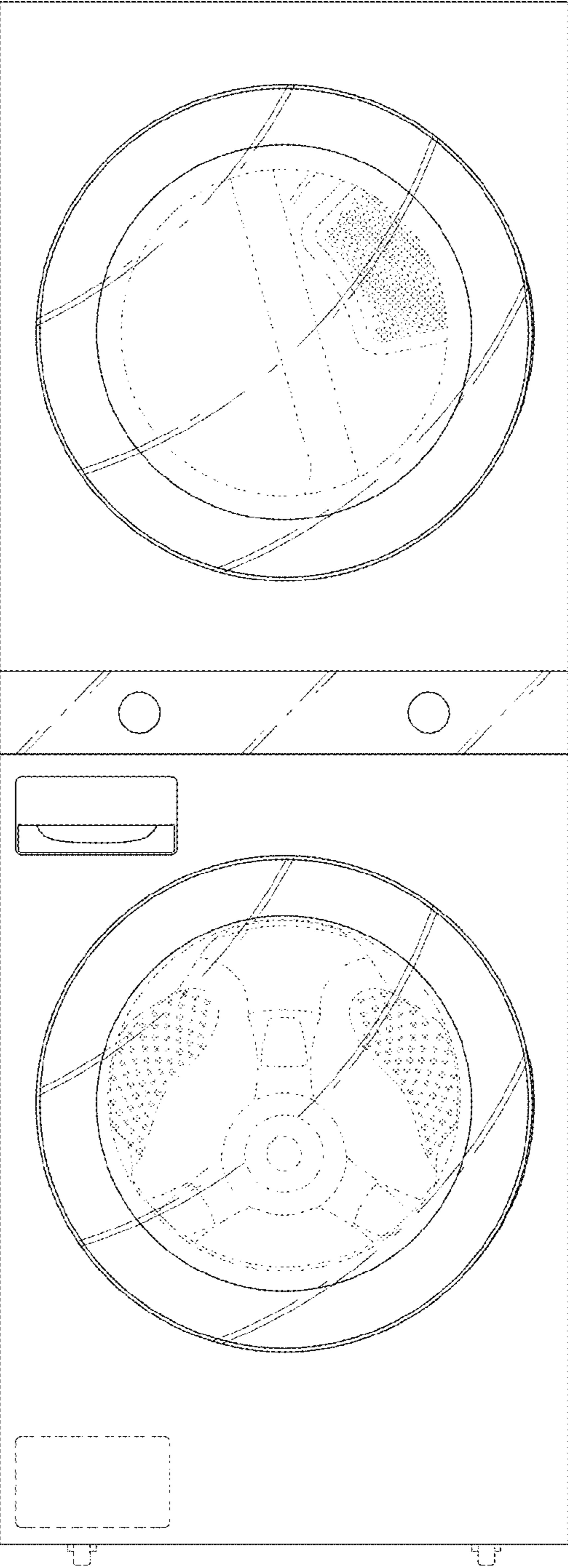


FIG. 3

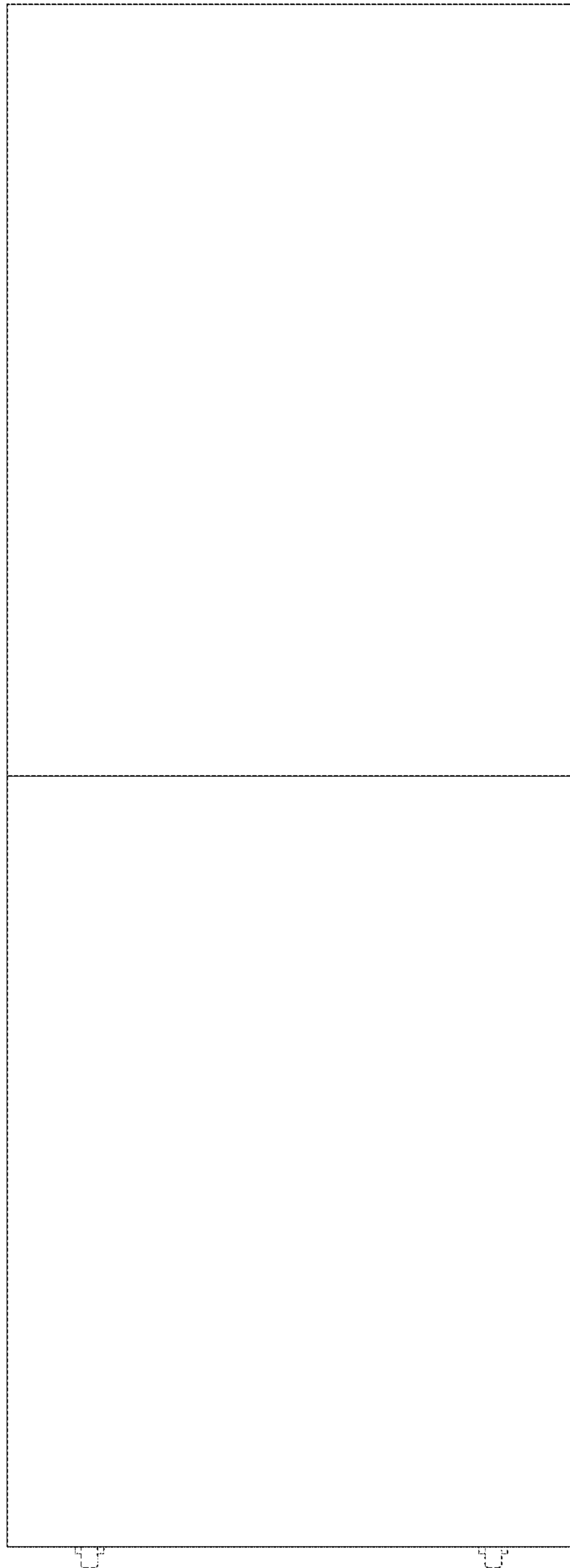


FIG. 4

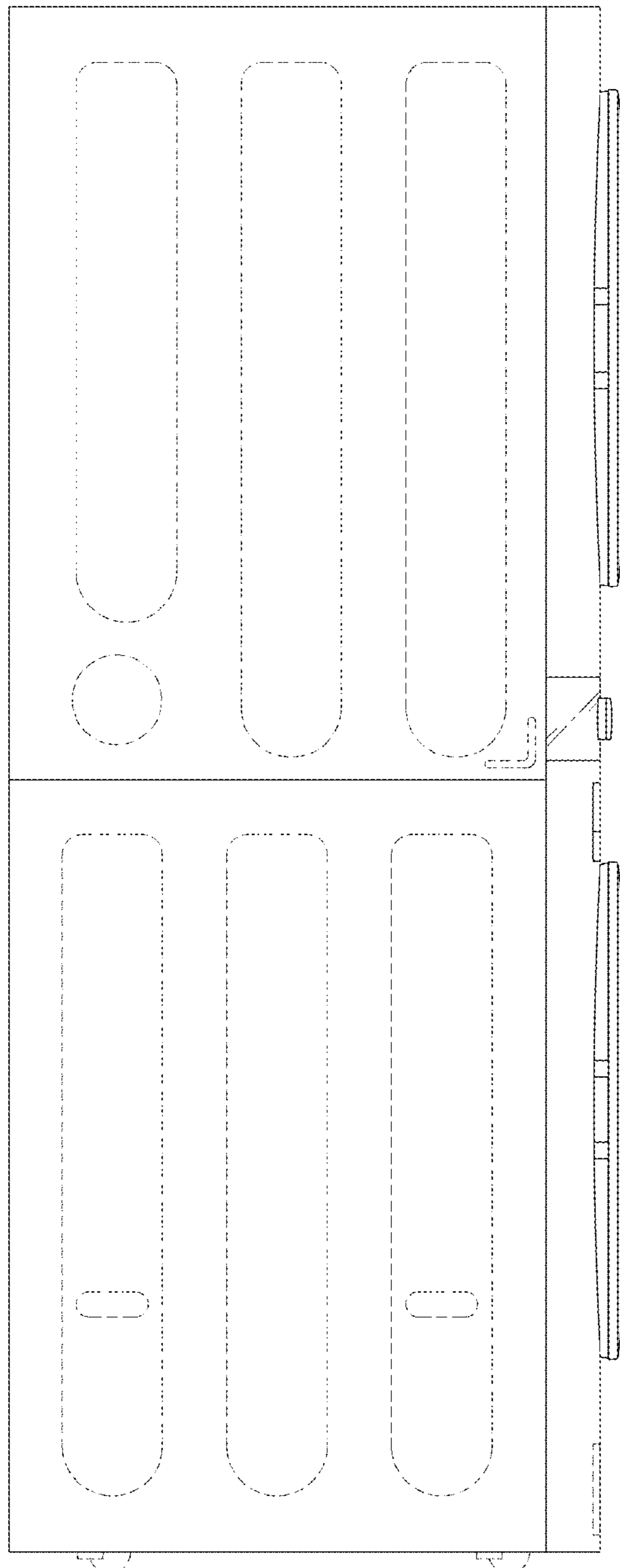


FIG. 5

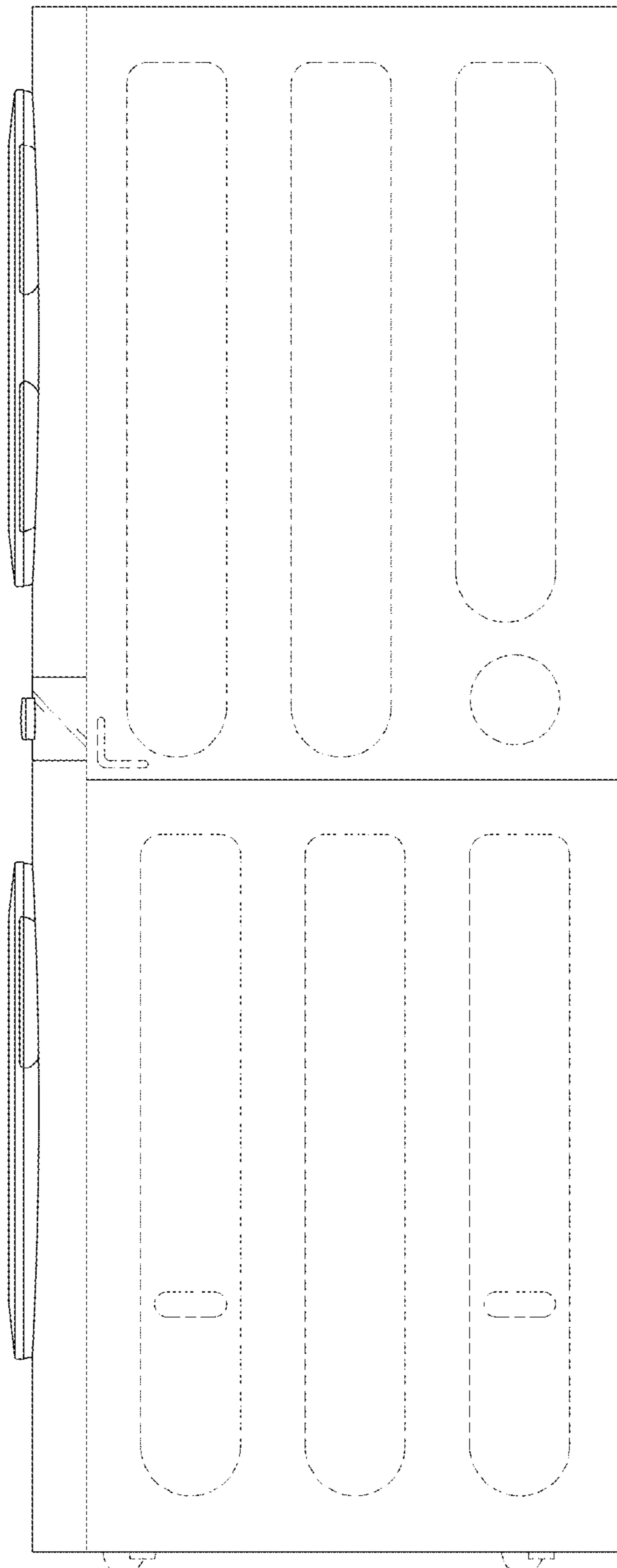


FIG. 6

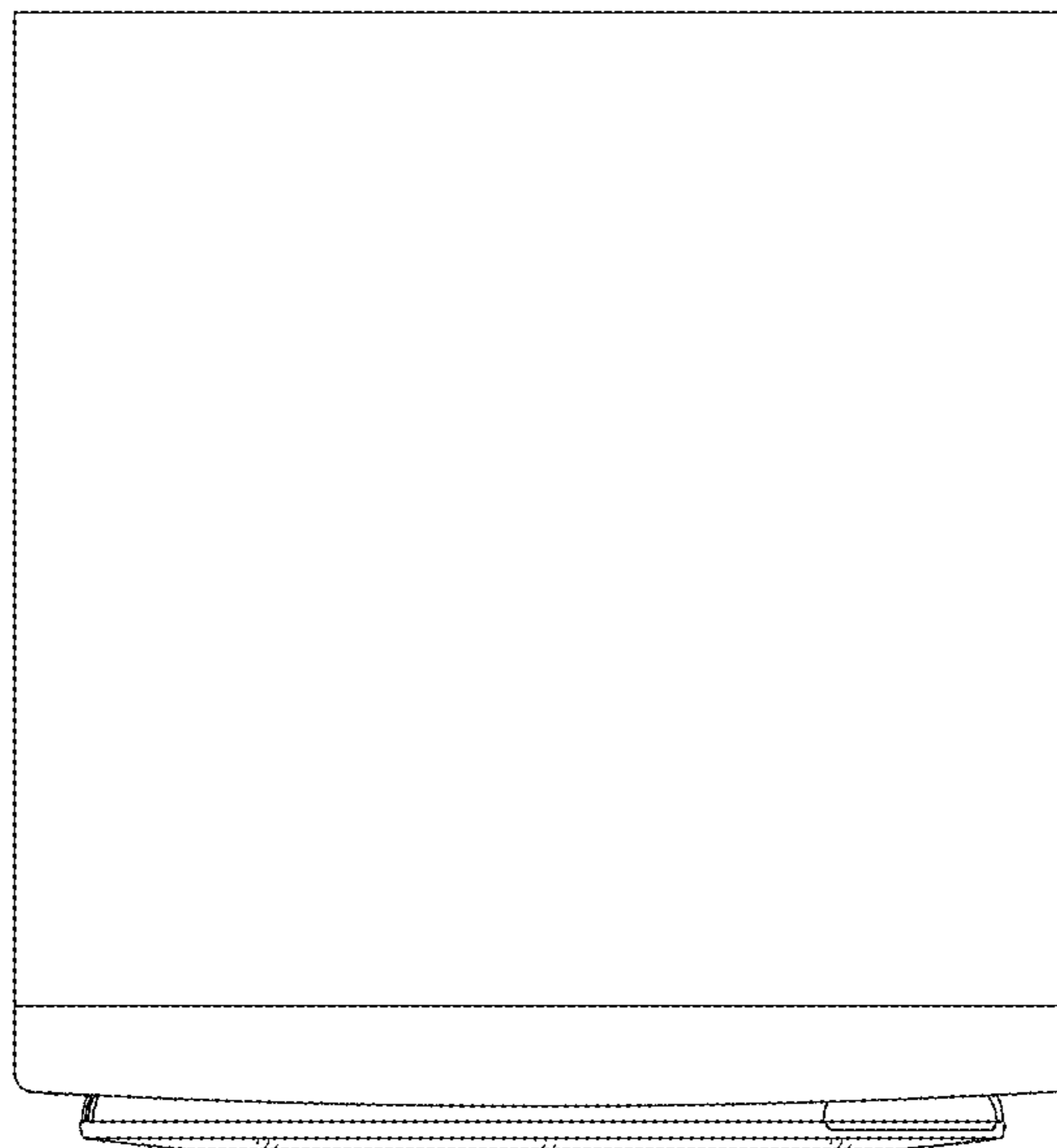




FIG. 7

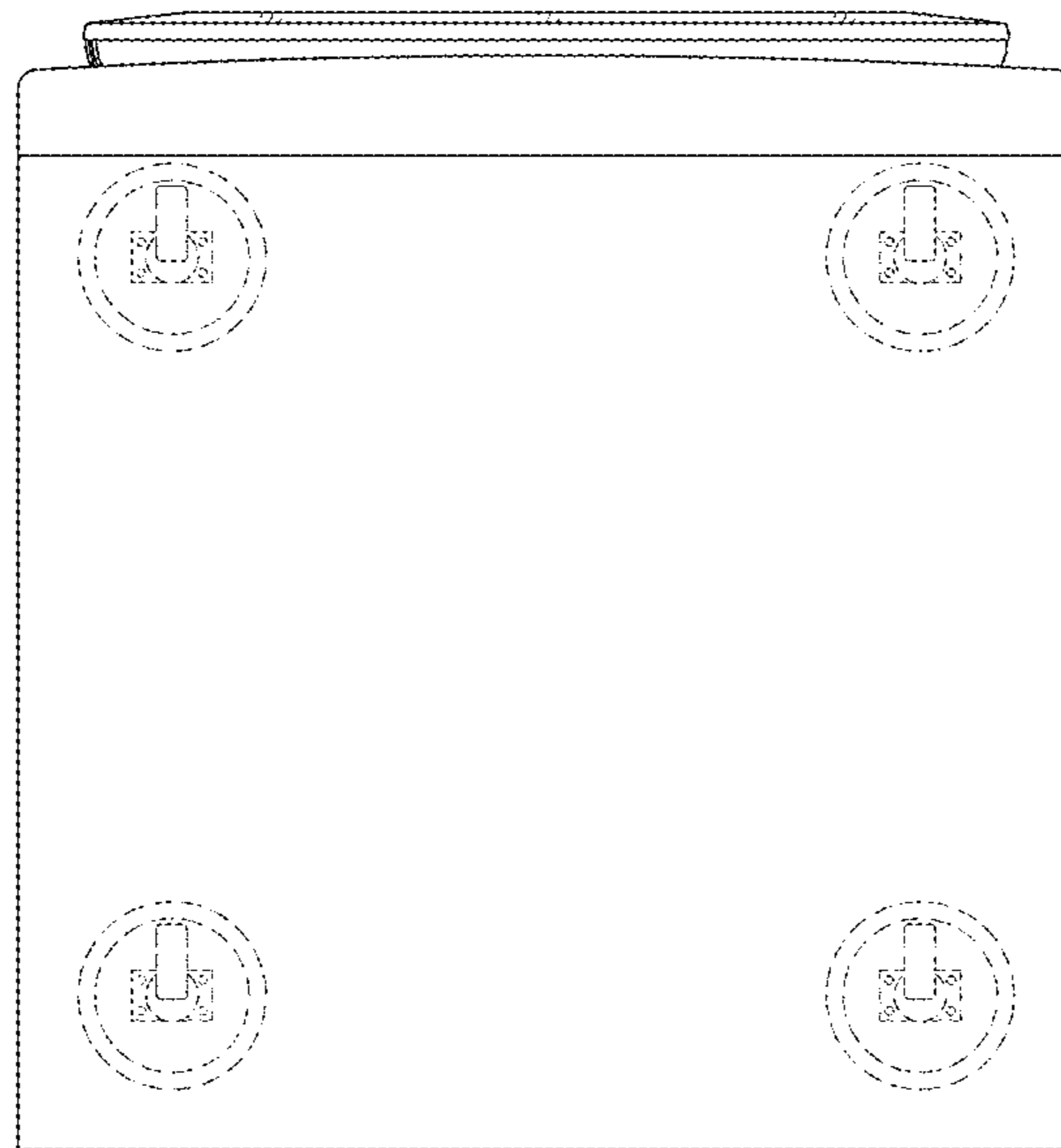


FIG. 8

