



US00D957069S

(12) **United States Design Patent** (10) **Patent No.:** **US D957,069 S**
Huang (45) **Date of Patent:** **** Jul. 5, 2022**

(54) **CAT TOY**
(71) Applicant: **Yuyao Feifan Leisure & Entertainment Goods Co., Ltd.,**
Ningbo Zhejiang Province (CN)

D513,546 S * 1/2006 Comerford D30/160
D716,508 S * 10/2014 Lee D30/160
D758,678 S * 6/2016 Cook D30/160
D787,757 S * 5/2017 Comerford D30/160
2010/0236496 A1* 9/2010 Comerford A01K 15/025
119/707

(72) Inventor: **Lina Huang,** Ningbo Zhejiang Province (CN)

FOREIGN PATENT DOCUMENTS

(**) Term: **15 Years**

CN 305899383 * 7/2020

(21) Appl. No.: **29/732,419**

OTHER PUBLICATIONS

(22) Filed: **Apr. 24, 2020**

“Alitools” available Nov. 24, 2020, [online], [site visited Aug. 23, 2021], Retrieved from Internet, URL:https://alitools.io/en/showcase/cat-toy-interactive-stick-electric-rotating-cat-training-play-toy-automatic-moving-toy-for-kitten-pet-supplies-4000287675864 (Year: 2020).*

(30) **Foreign Application Priority Data**

Mar. 19, 2020 (CN) 202030093290.5

* cited by examiner

(51) **LOC (13) Cl.** **30-99**

Primary Examiner — Michael C Stout
Assistant Examiner — Katrina N Gonzalez

(52) **U.S. Cl.**
USPC **D30/160**

(74) *Attorney, Agent, or Firm* — Prakash Nama; Global IP Services, PLLC

(58) **Field of Classification Search**
USPC D30/158, 160, 199; 119/702, 703, 704, 119/705, 706, 707, 708
CPC ... A01K 15/027; A01K 15/024; A01K 15/025
See application file for complete search history.

(57) **CLAIM**

The ornamental design for a cat toy, as shown and described.

(56) **References Cited**

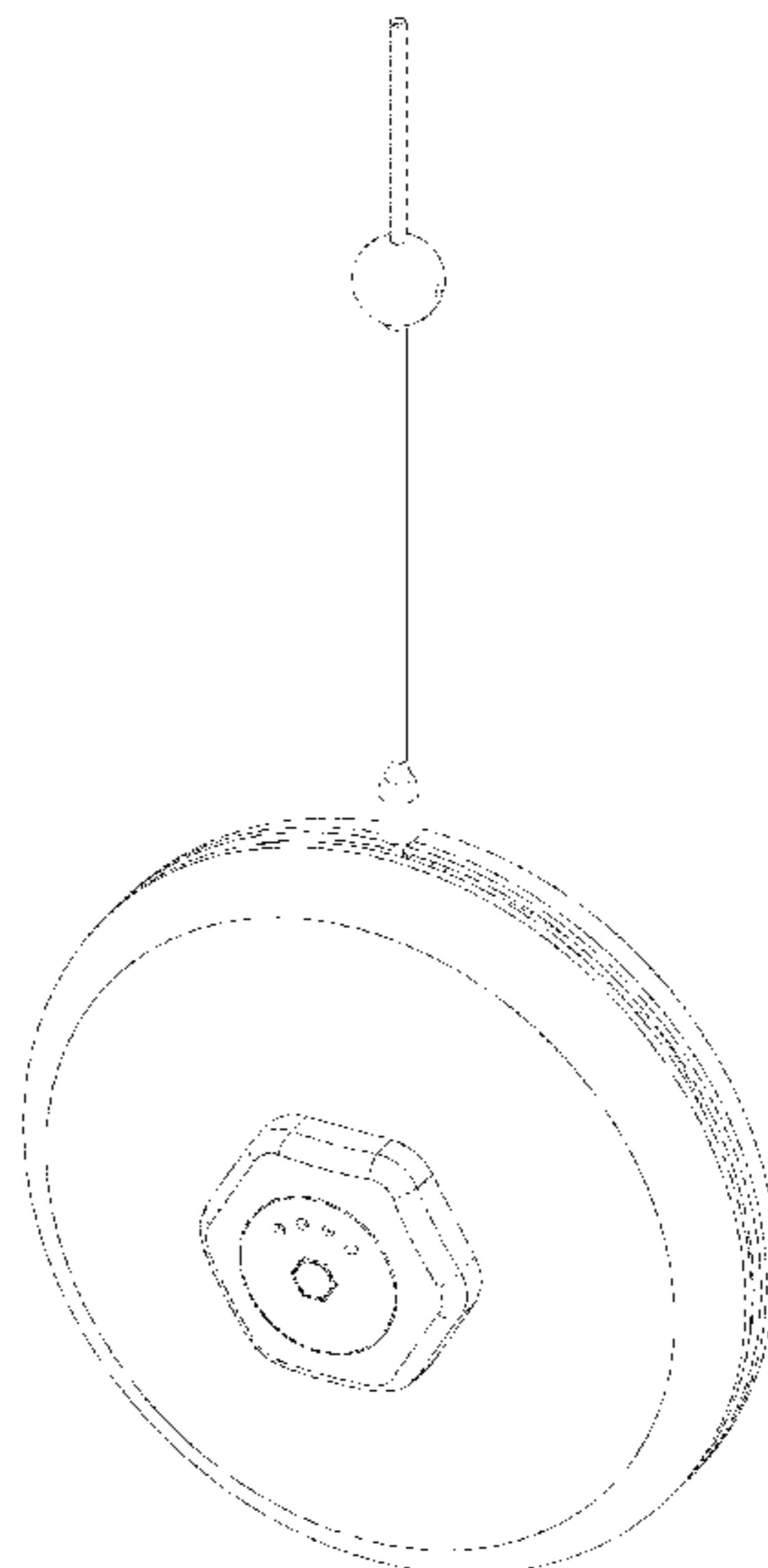
DESCRIPTION

U.S. PATENT DOCUMENTS

D335,553 S * 5/1993 Conner D30/160
D335,554 S * 5/1993 Conner D21/408
D338,987 S * 8/1993 Eroyan D30/160
5,595,141 A * 1/1997 Udelle A01K 15/024
119/706
5,634,435 A * 6/1997 Udelle A01K 15/025
119/706
5,675,225 A * 10/1997 Moore A01K 15/025
119/708
5,875,737 A * 3/1999 Boshears A01K 15/025
119/706
6,892,675 B1 * 5/2005 Comerford A01K 15/025
119/706

FIG. 1 is a front elevational view of a cat toy showing my new design;
FIG. 2 is a rear elevational view thereof;
FIG. 3 is a left side view thereof;
FIG. 4 is a right side view thereof;
FIG. 5 is a bottom plan view thereof;
FIG. 6 is a top plan view thereof; and,
FIG. 7 is a perspective view thereof.
The broken lines illustrate portions of the cat toy that form no part of the claimed design.

1 Claim, 6 Drawing Sheets



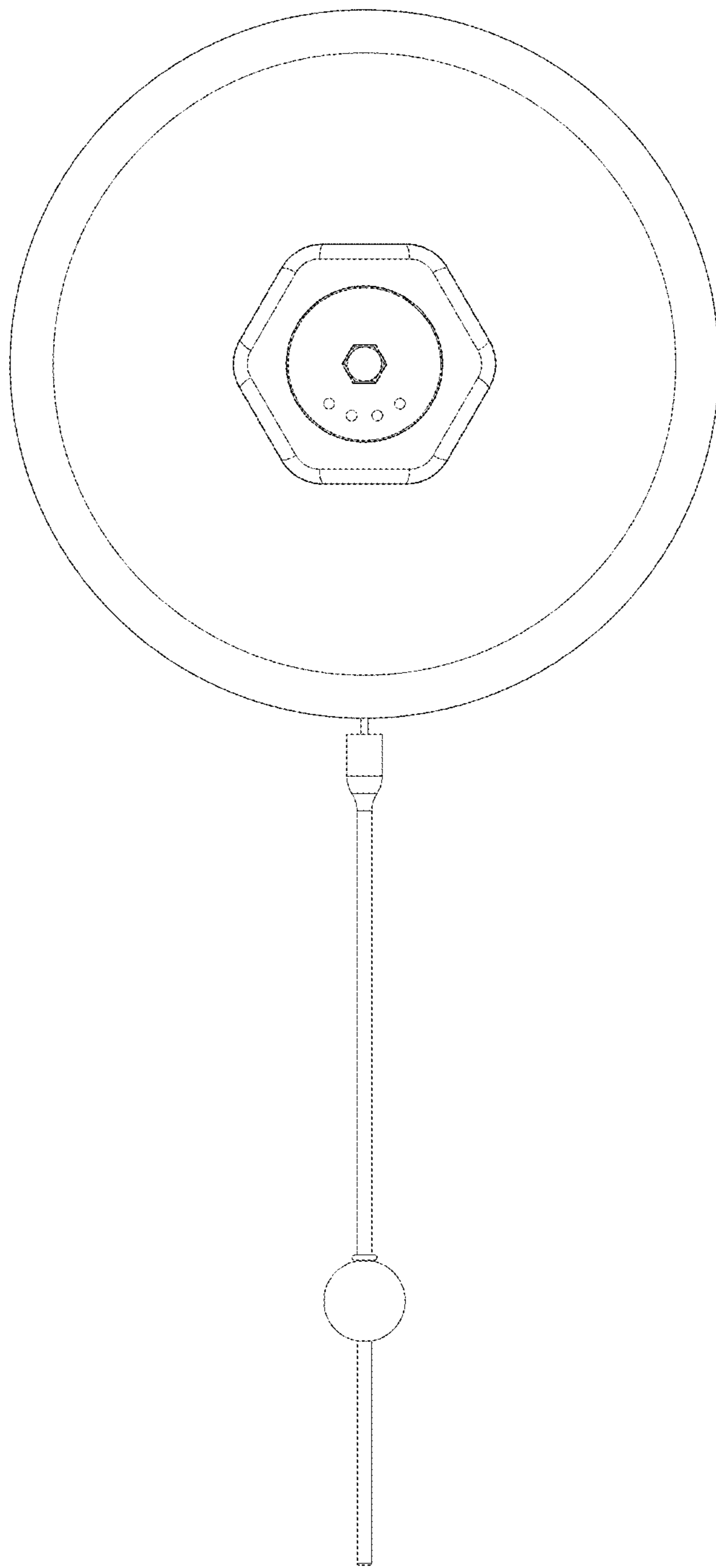


FIG. 1

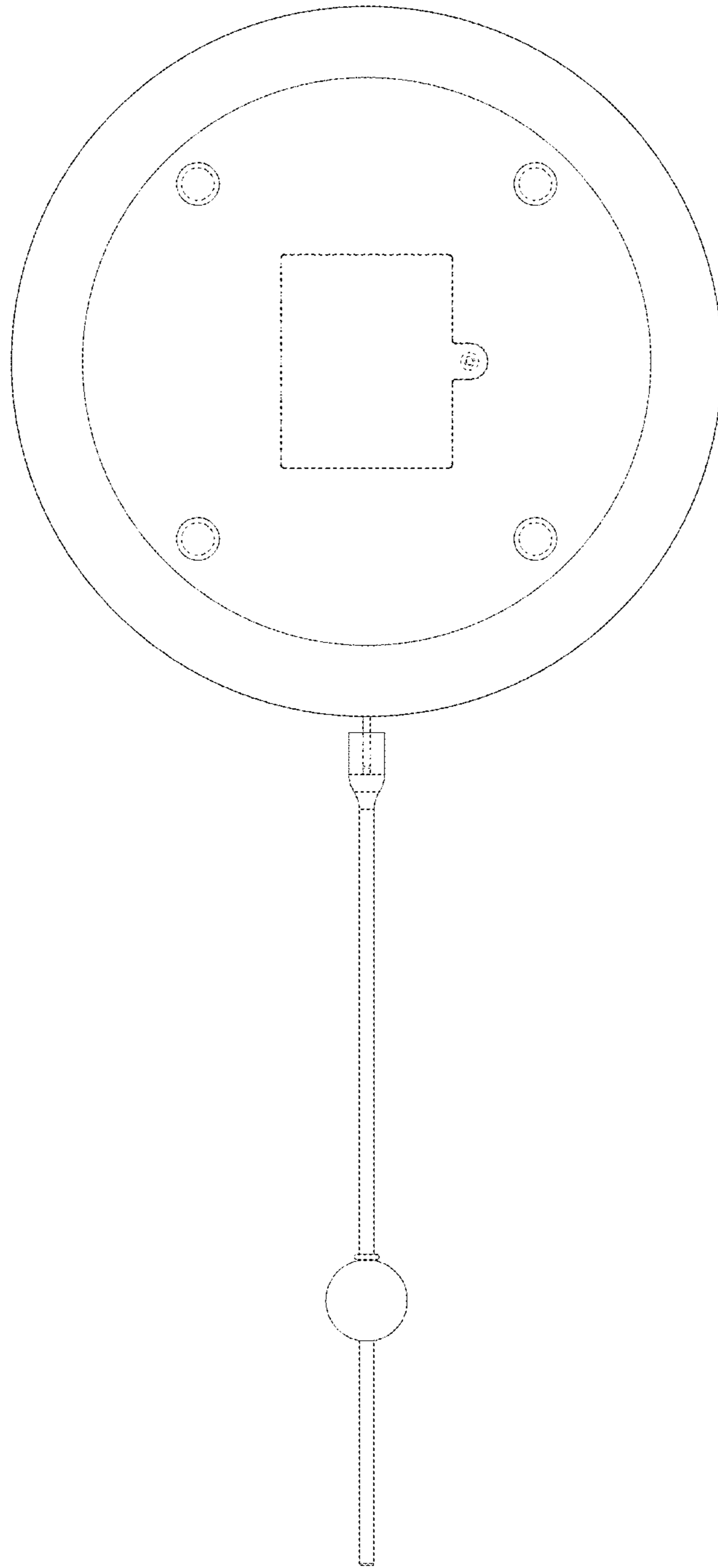


FIG. 2

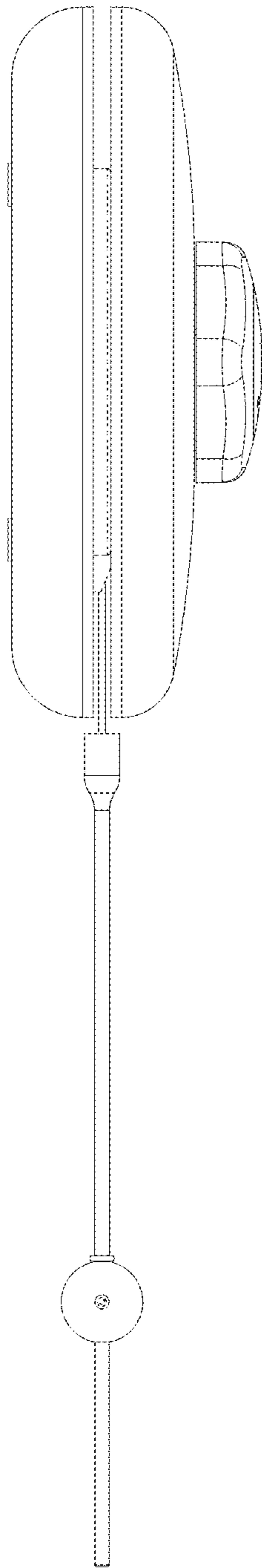


FIG. 3

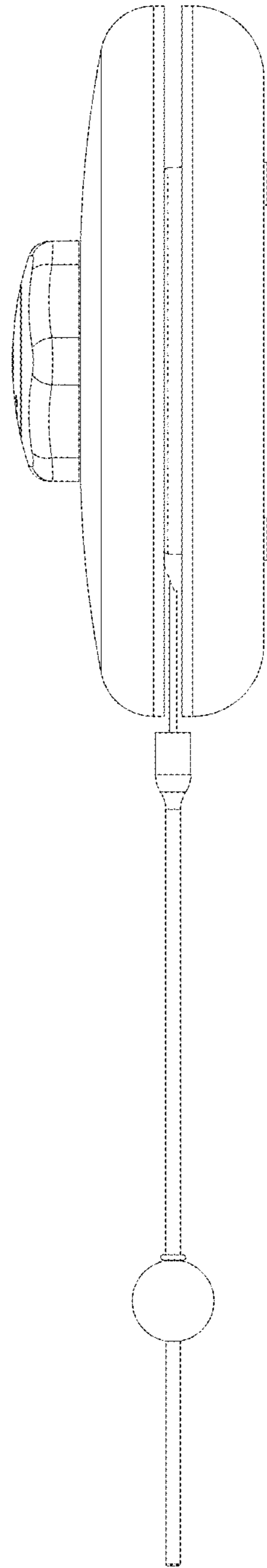


FIG. 4

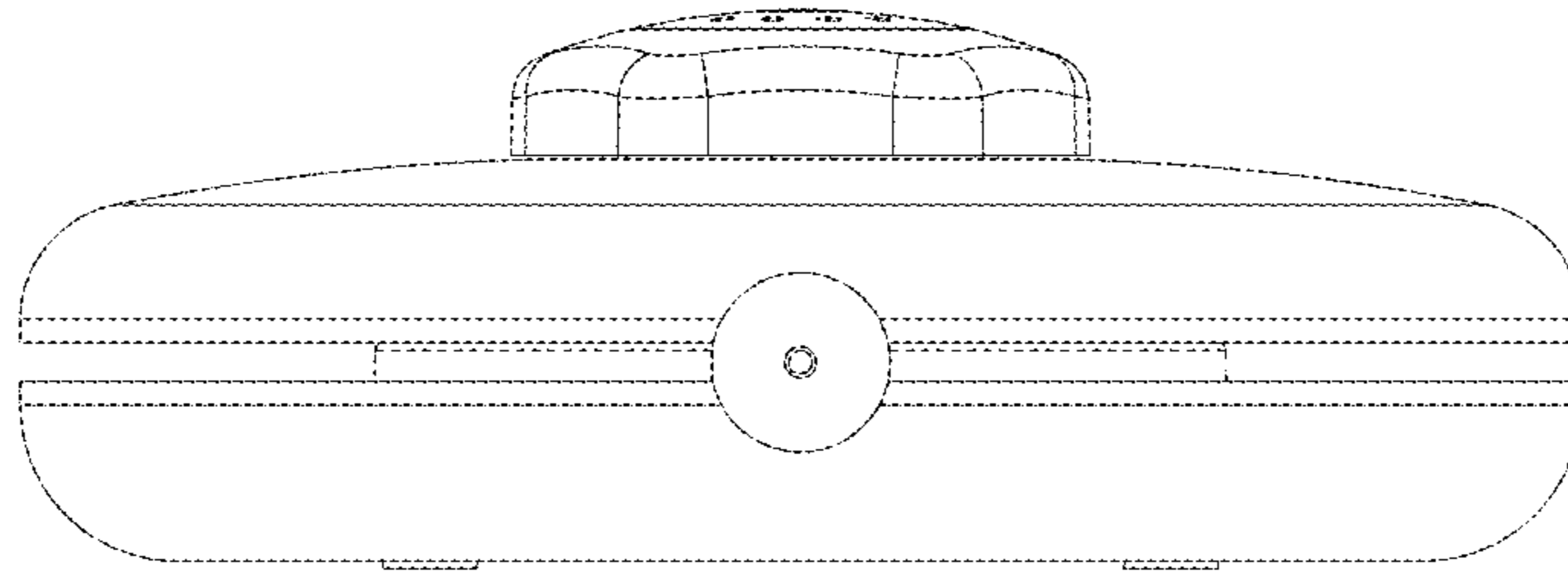


FIG. 5

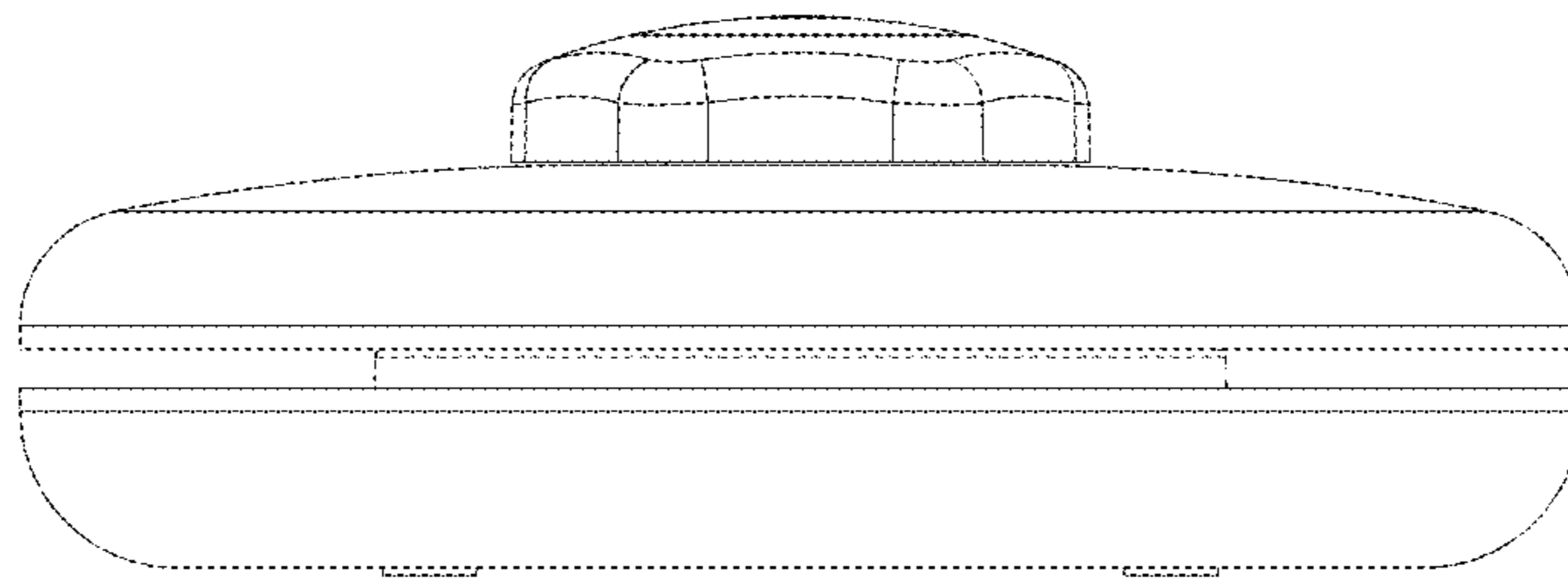


FIG. 6

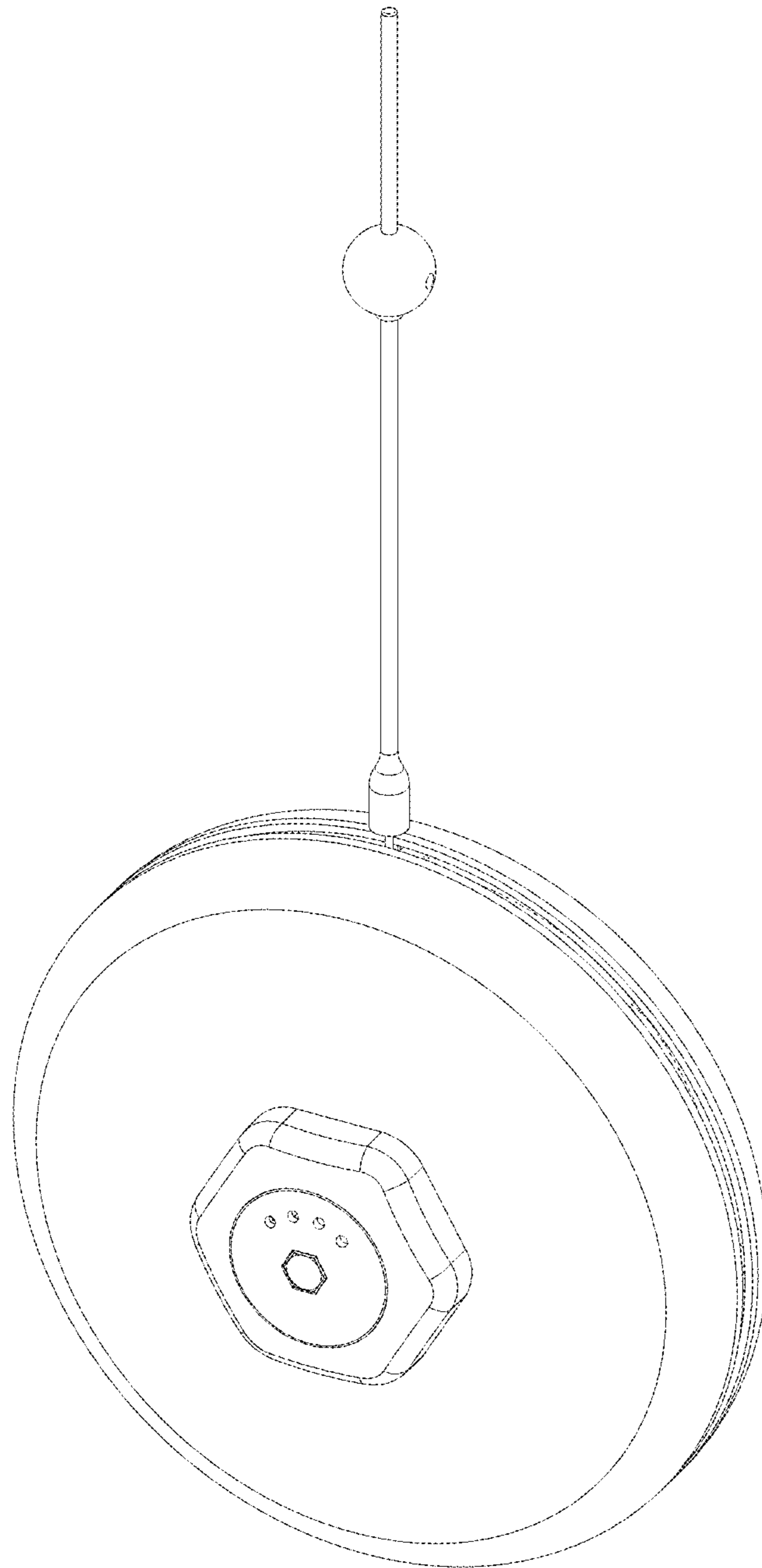


FIG. 7