



US00D957068S

(12) **United States Design Patent** (10) **Patent No.:** **US D957,068 S**
Li (45) **Date of Patent:** **** Jul. 5, 2022**

(54) **PET COLLAR**

(71) Applicant: **Baojian Li**, Guangdong (CN)

(72) Inventor: **Baojian Li**, Guangdong (CN)

(**) Term: **15 Years**

(21) Appl. No.: **29/691,905**

(22) Filed: **May 21, 2019**

(51) **LOC (13) Cl.** **30-04**

(52) **U.S. Cl.**
USPC **D30/152**

(58) **Field of Classification Search**
USPC D30/144, 145, 151, 152, 199
CPC A01K 13/006; A01K 15/006; A01K 15/04;
A01K 13/00; A01K 27/001; A61D 9/00
See application file for complete search history.

(56) **References Cited**

U.S. PATENT DOCUMENTS

3,013,530	A *	12/1961	Zeman	A01K 13/006	119/815
3,036,554	A *	5/1962	Johnson	A01K 13/006	119/821
3,072,098	A *	1/1963	Boemle	A01K 13/006	119/821
4,200,057	A *	4/1980	Agar	A01K 15/04	424/9.8
D409,339	S *	5/1999	Silano	D30/124	
D436,929	S *	1/2001	Kane	D13/156	
D475,817	S *	6/2003	Heyek	D1/118	
D506,296	S *	6/2005	Driver	119/815	
D540,972	S *	4/2007	Tortel	D26/118	
D562,505	S *	2/2008	Fujita	D30/152	
D632,851	S *	2/2011	Maroney	D30/152	
D673,739	S *	1/2013	Herrera	D30/152	
D705,502	S *	5/2014	Markfield	D30/152	
D818,335	S *	5/2018	Walters	D8/70	
10,555,501	B2 *	2/2020	Hansen	A01K 13/006	

D906,603	S *	12/2020	Vaccaro	D30/152	
2014/0096722	A1 *	4/2014	Groff	A61D 9/00	119/815
2015/0257362	A1 *	9/2015	Smith	A01K 13/006	119/821
2021/0015077	A1 *	1/2021	Kim	A01K 13/006	

OTHER PUBLICATIONS

“In Hand Adjustable Pet Recovery Collar.” Found online Oct. 13, 2021 at www.amazon.com. Product first available Mar. 28, 2019. Retrieved from URL: <https://www.amazon.com/HAND-Adjustable-Anti-Bite-Practical-Protective/dp/B07NTGXZFF?th=1> (Year: 2019).*

(Continued)

Primary Examiner — Mary Ann Calabrese
Assistant Examiner — Katelin G Kloberg

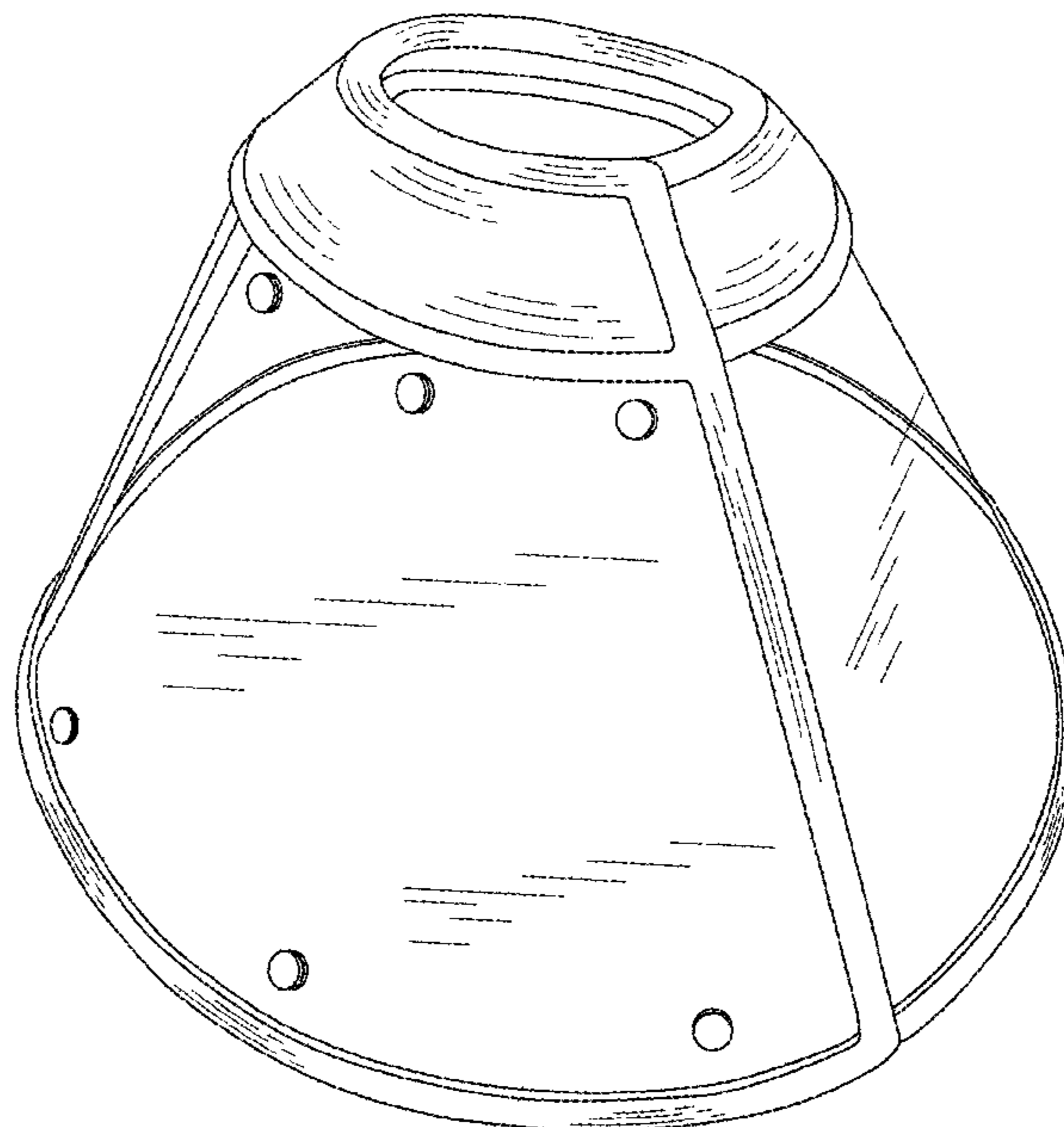
(57) **CLAIM**

The ornamental design for a pet collar, as shown and described.

DESCRIPTION

FIG. 1 is a perspective view of a pet collar showing my new design;
FIG. 2 is a perspective view, shown in an open configuration;
FIG. 3 is a front elevation view thereof;
FIG. 4 is a rear elevation view thereof;
FIG. 5 is a left side elevation view thereof;
FIG. 6 is a right side elevation view thereof;
FIG. 7 is a top plan view thereof; and,
FIG. 8 is a bottom plan view thereof.
The broken lines in the drawings depict portions of the pet collar that form no part of the claimed design.

1 Claim, 8 Drawing Sheets



(56)

References Cited

OTHER PUBLICATIONS

“Bolbove Pet Plastic Clear Cone Recovery E-Collar.” Found online Oct. 13, 2021 at www.amazon.com. Product first available Nov. 27, 2026. retrieved from URL: <https://www.amazon.com/Bolbove-Plastic-Recovery-Collar-Design/dp/B06XBHS6H3?th=1> (Year: 2016).*

“Vivifying Pet Cone.” Found online Oct. 13, 2021 at www.amazon.com. Product first available Jan. 17, 2017. Retrieved from URL: https://www.amazon.com/Vivifying-Adjustable-Lightweight-Elizabethan-Puppies/dp/B01MUBIRQM/ref=pd_lpo_2?pd_rd_i=B01MUBIRQM&th=1 (Year: 2017).*

“In Hand Adjustable Pet Recovery Collar.” Found online Feb. 19, 2022 at <https://www.amazon.com>/HAND-Adjustable-Anti-Bite-Practical-Protective/dp/B07Q377GVQ. Verified seller information. Retrieved from URL: <https://www.amazon.com/sp?ie=UTF8&seller=A1TML0N39N8P75> (Year: 2022).*

* cited by examiner

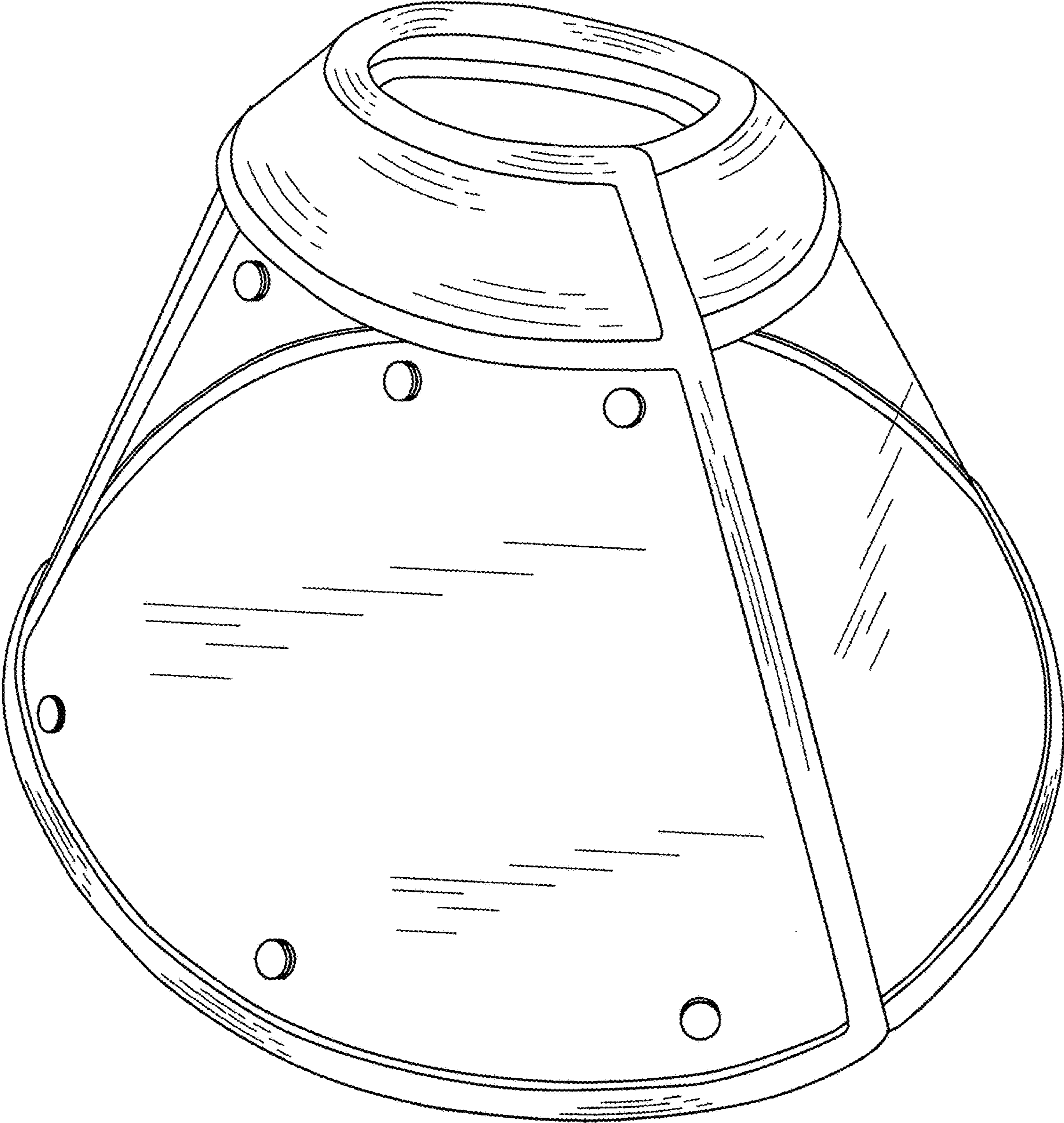


FIG. 1

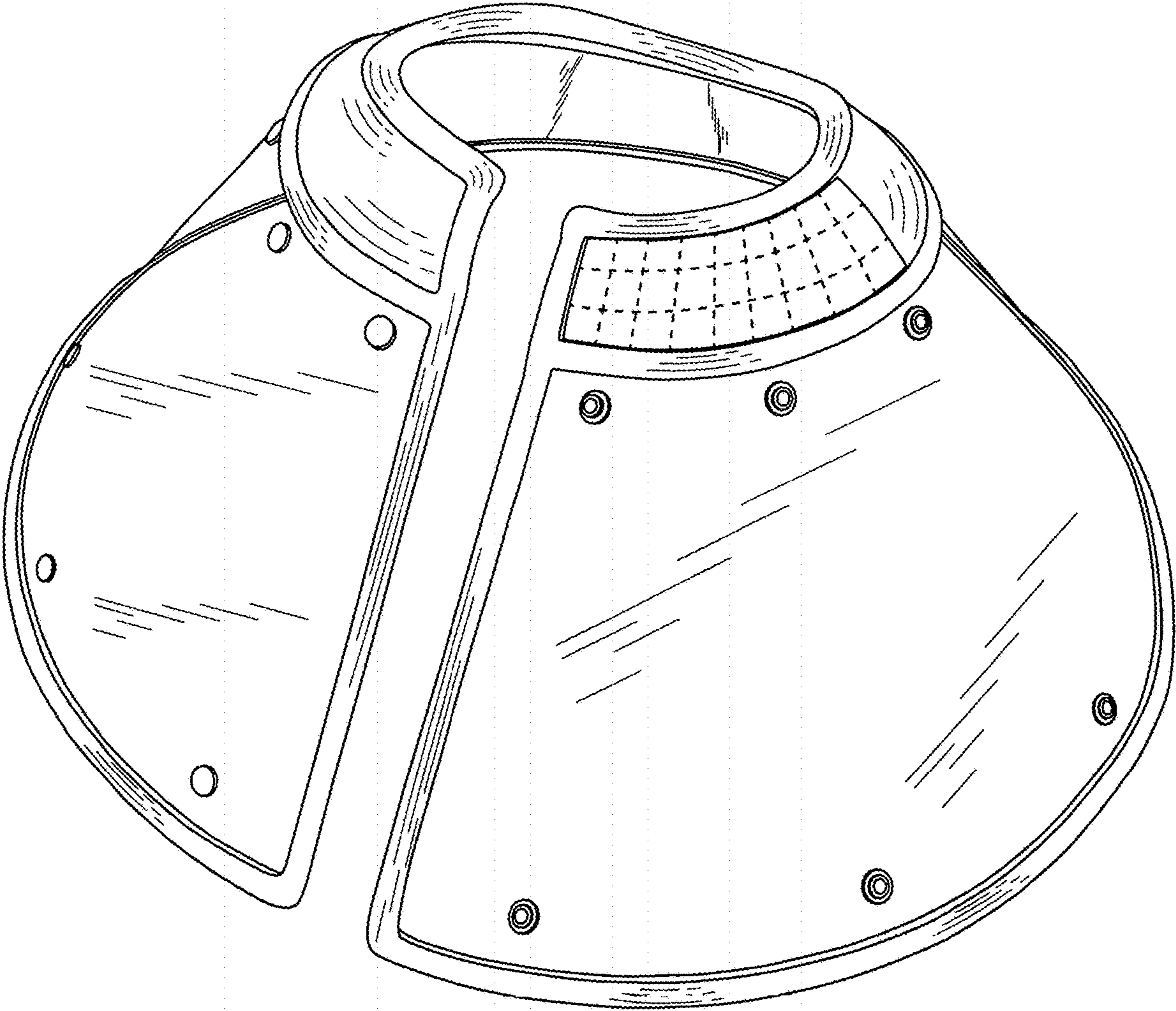


FIG. 2

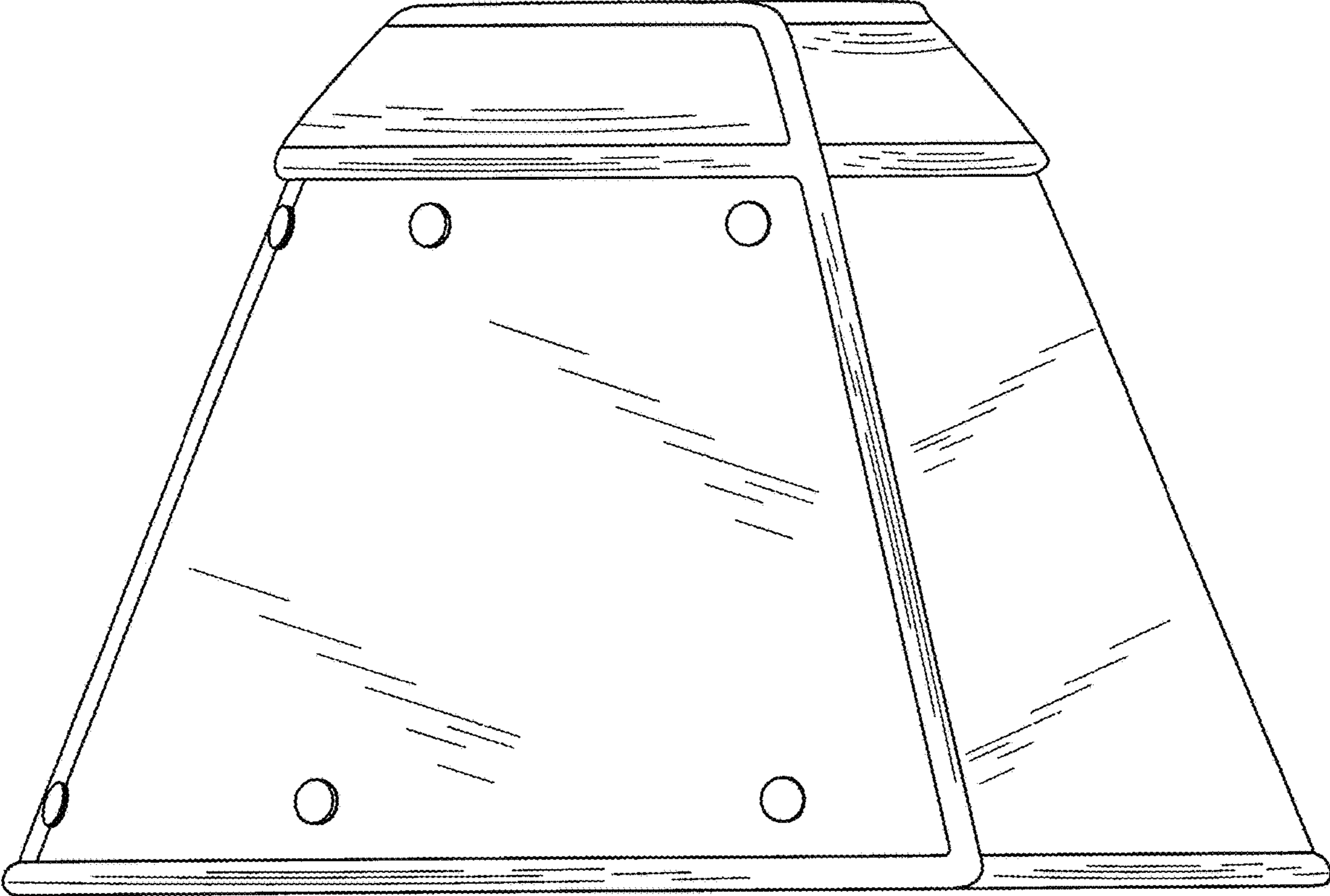


FIG. 3

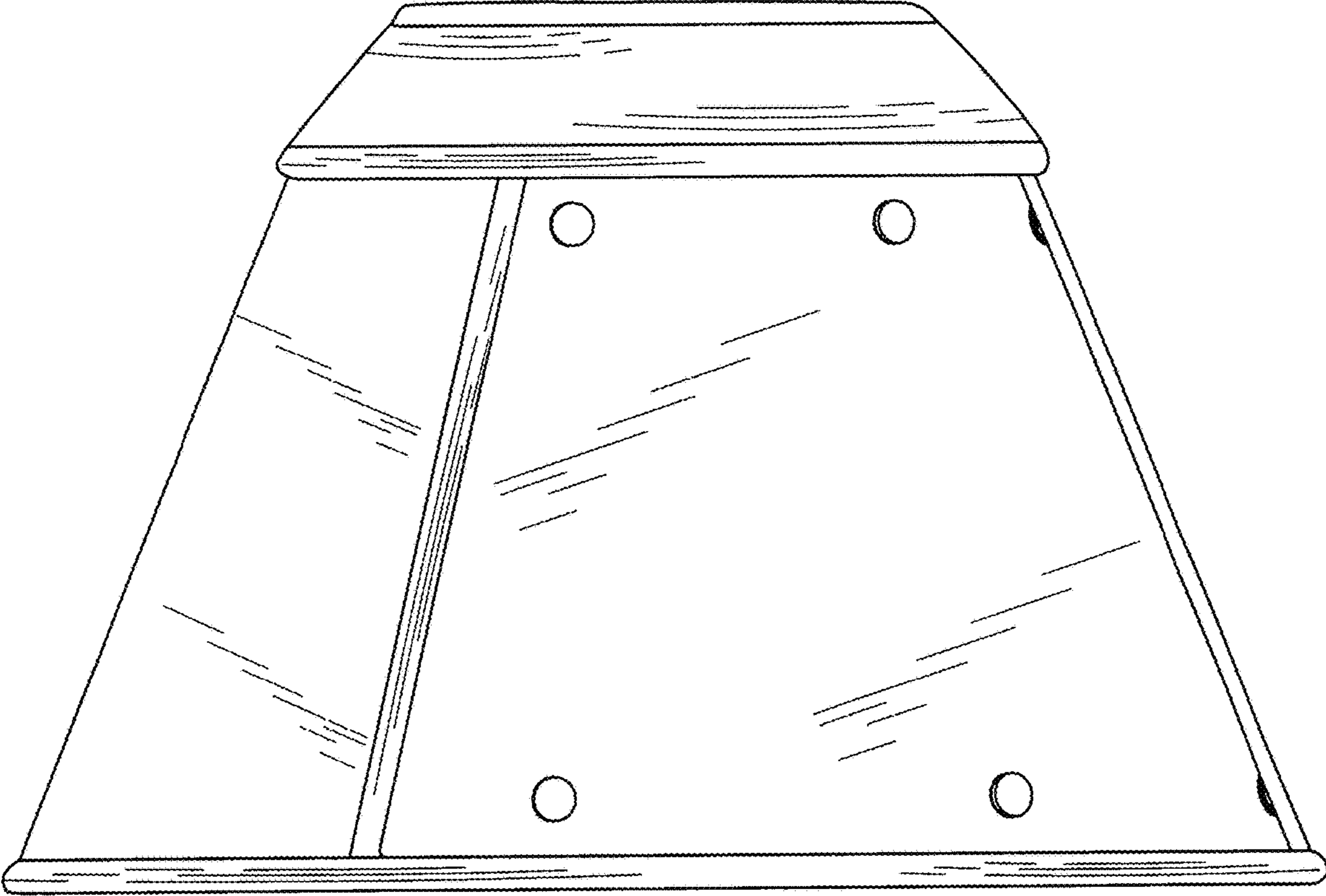


FIG. 4

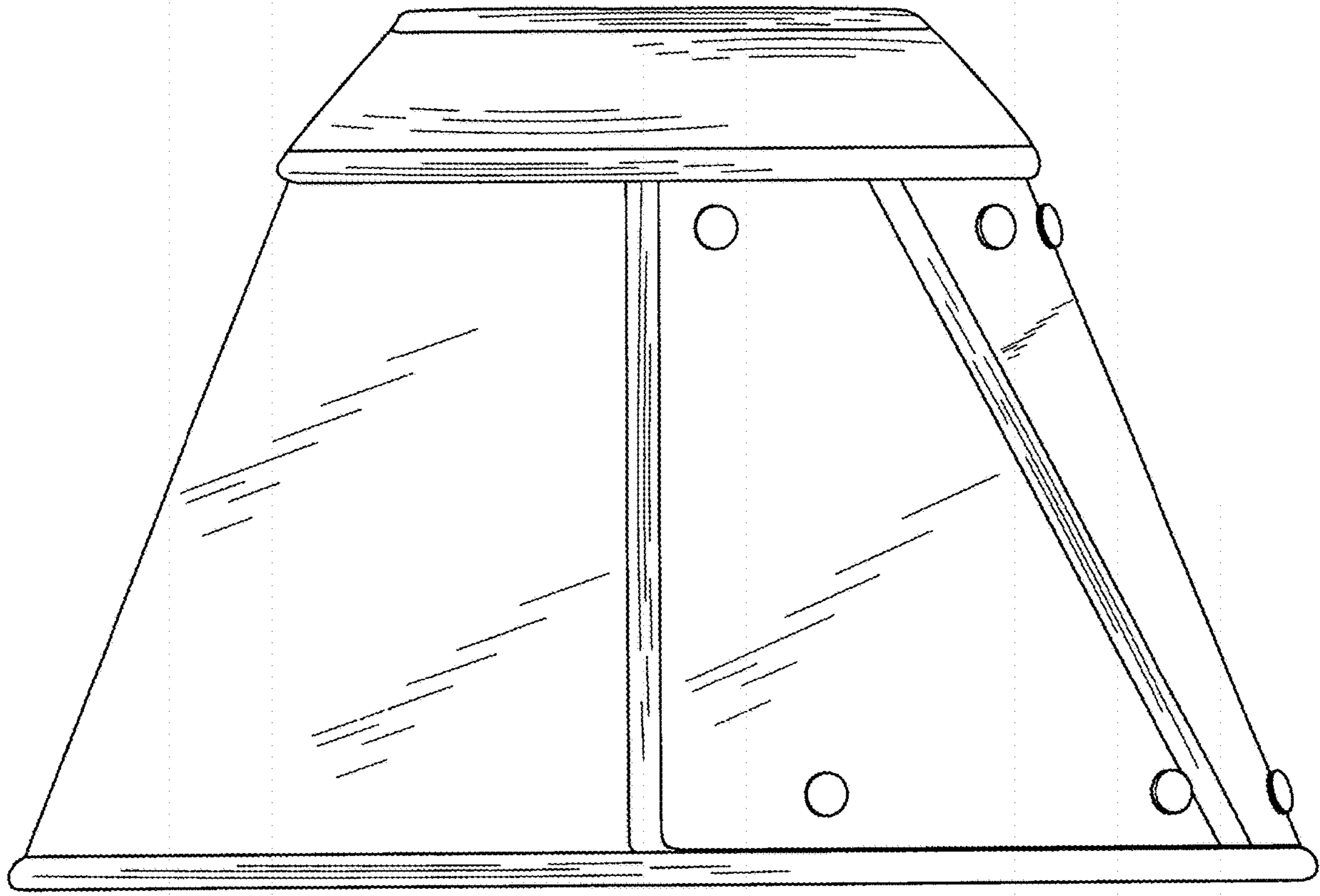


FIG. 5

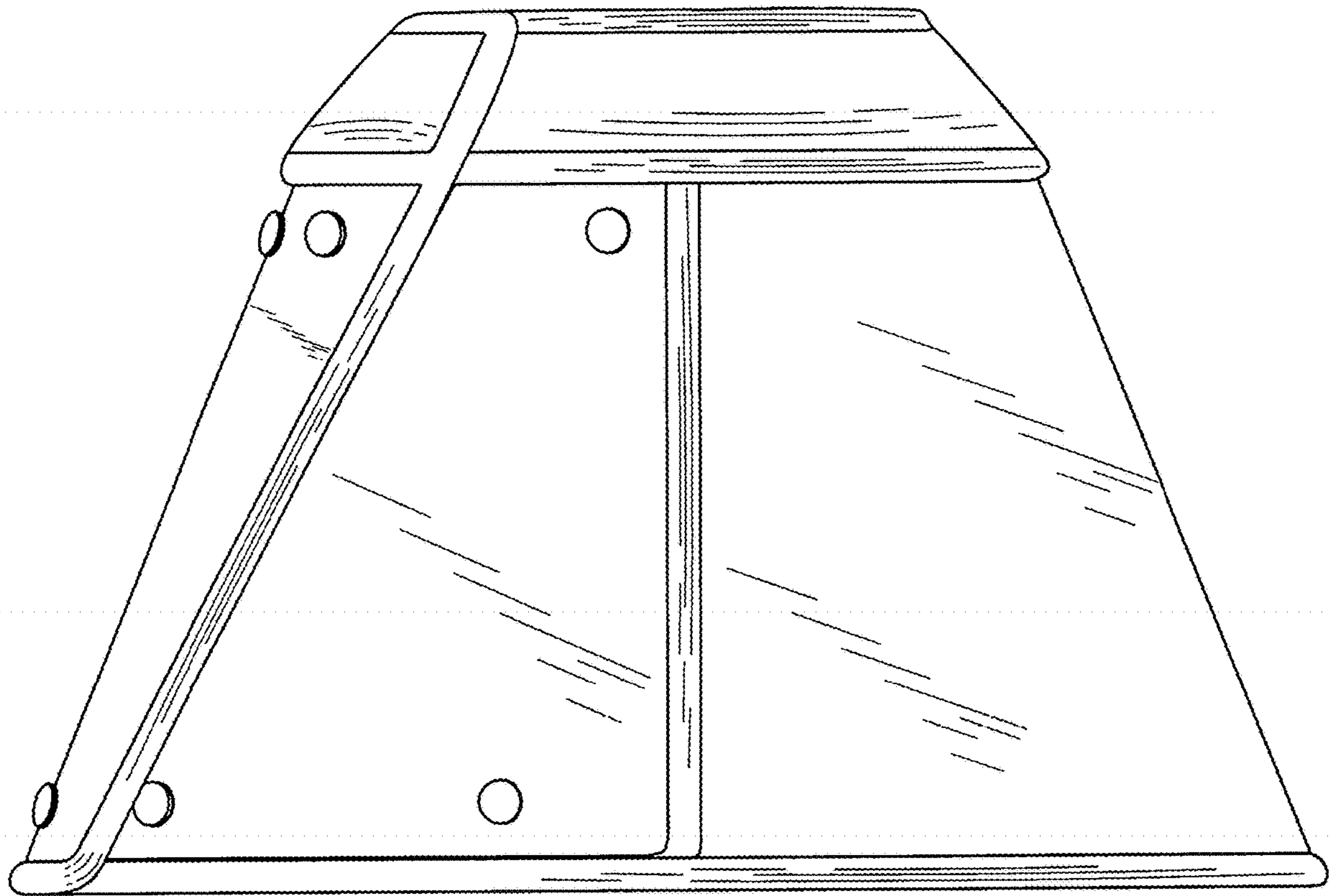


FIG. 6

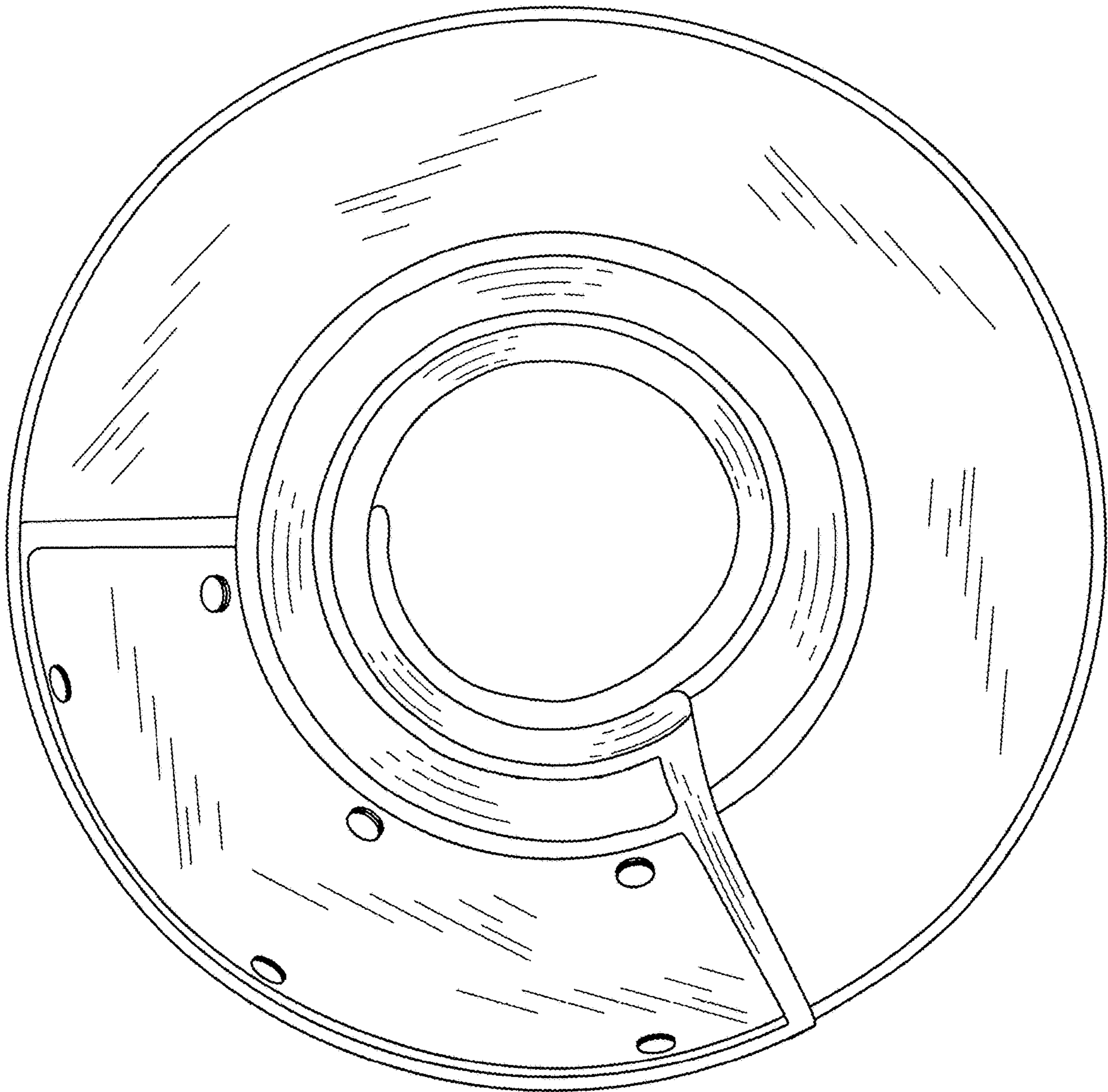


FIG. 7

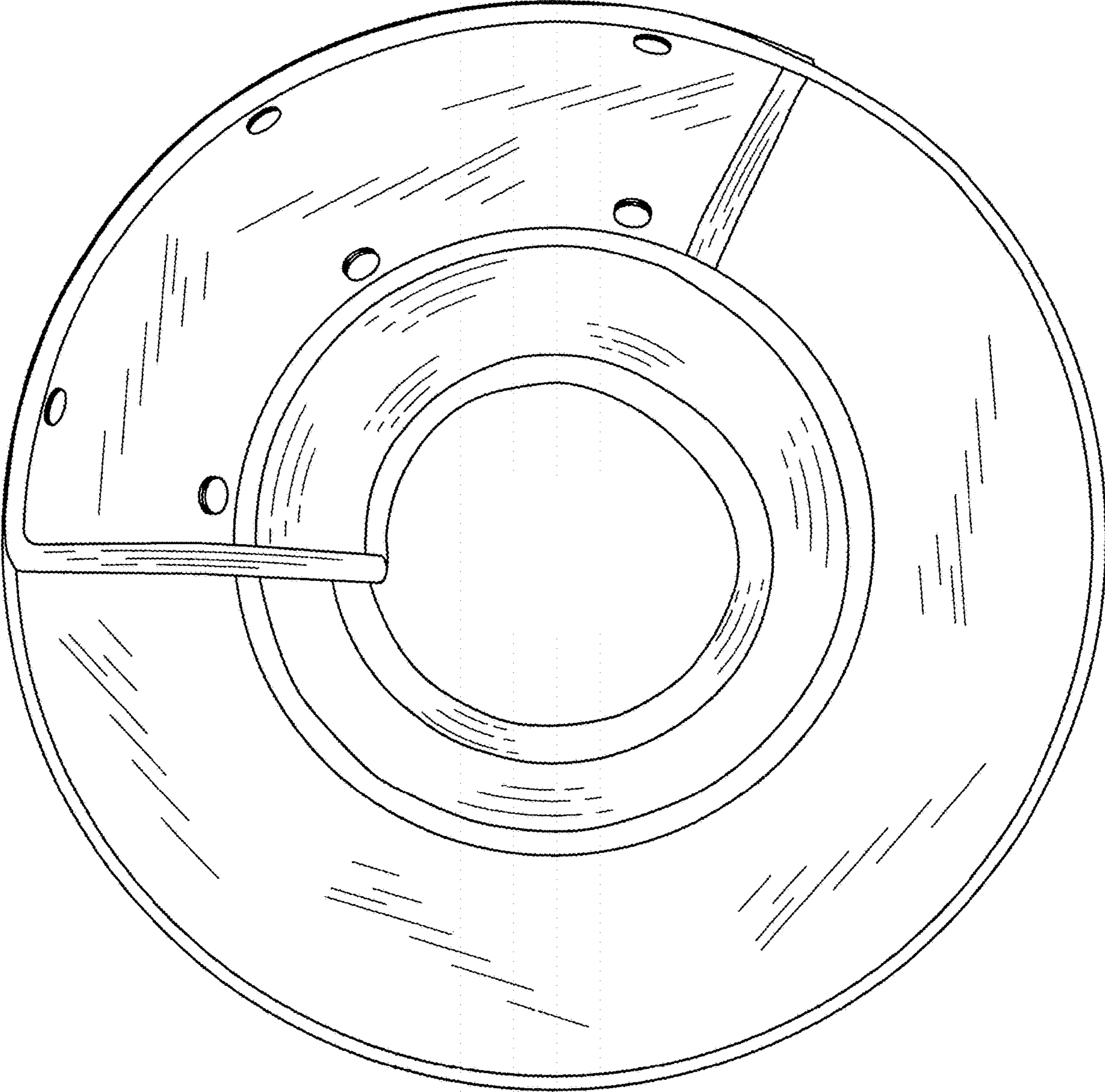


FIG. 8