

US00D957067S

(12) **United States Design Patent**
Ge

(10) **Patent No.:** **US D957,067 S**

(45) **Date of Patent:** **** Jul. 5, 2022**

(54) **BIRD BATH**

(71) Applicant: **Zhimin Ge**, Zhejiang (CN)

(72) Inventor: **Zhimin Ge**, Zhejiang (CN)

(73) Assignee: **TAIZHOU HUANGYAN JINGYING DESIGN CO., LTD.**, Taizhou (CN)

(**) Term: **15 Years**

(21) Appl. No.: **29/797,738**

(22) Filed: **Jul. 2, 2021**

(51) **LOC (13) Cl.** **30-07**

(52) **U.S. Cl.**
USPC **D30/123**

(58) **Field of Classification Search**
USPC D30/123, 129, 132, 121; 119/69.5, 673, 119/57.8, 68, 74, 61.57, 78-81, 61.4, 119/57.9, 51.5, 61.5, 72; 47/66.6, 39, 67, 47/83; 239/27, 280, 200, 281, 280.5, 239/273, 16, 17, 20, 22; 4/644, 627, 638; D7/558; D11/144, 145, 153; D99/5, 24; 27/1; D23/201, 292; 248/127, 132, 137, 248/138, 158, 910; 215/10; D6/353, D6/352, 484, 360, 480, 488; 219/521; 329/442, 459
CPC A01K 45/002; A01K 39/02; B05B 1/185; B05B 17/08; E03C 1/048; E03C 1/042; E03C 1/04
See application file for complete search history.

(56) **References Cited**

U.S. PATENT DOCUMENTS

1,133,871 A * 3/1915 Mace E03B 9/20
285/8

2,887,988 A * 5/1959 Cottongim A01K 45/002
D30/123

2,938,495 A * 5/1960 Hinton A01K 45/002
604/289

D218,979 S * 10/1970 Kofford D30/132

D321,572 S * 11/1991 Laden D7/619.1

5,117,779 A * 6/1992 Karow A01K 45/002
248/230.8

D353,230 S * 12/1994 Reusche D30/123

5,743,212 A * 4/1998 Forjohn A01K 45/002
119/69.5

D424,250 S * 5/2000 Clifton D30/123

6,167,840 B1 * 1/2001 White A01K 5/0142
119/72

D448,125 S * 9/2001 Ranly D30/121

6,328,273 B1 * 12/2001 Kemikem E04H 12/2223
248/156

6,895,895 B2 * 5/2005 Reusche A01K 45/002
119/69.5

(Continued)

OTHER PUBLICATIONS

Hanizi Deck-Mounted Bird Bath Bowl , Feb. 2021, https://www.amazon.com/dp/B08HDFP6GP/ref=sspa_dk_detail_1 (Year: 2021).*

Primary Examiner — Susan Moon Lee

(57) **CLAIM**

The ornamental design for a bird bath, as shown and described.

DESCRIPTION

FIG. 1 is a top, front, right side perspective view of a bird bath showing my new design;

FIG. 2 is a bottom, rear, left side perspective view thereof;

FIG. 3 is a front elevation view thereof;

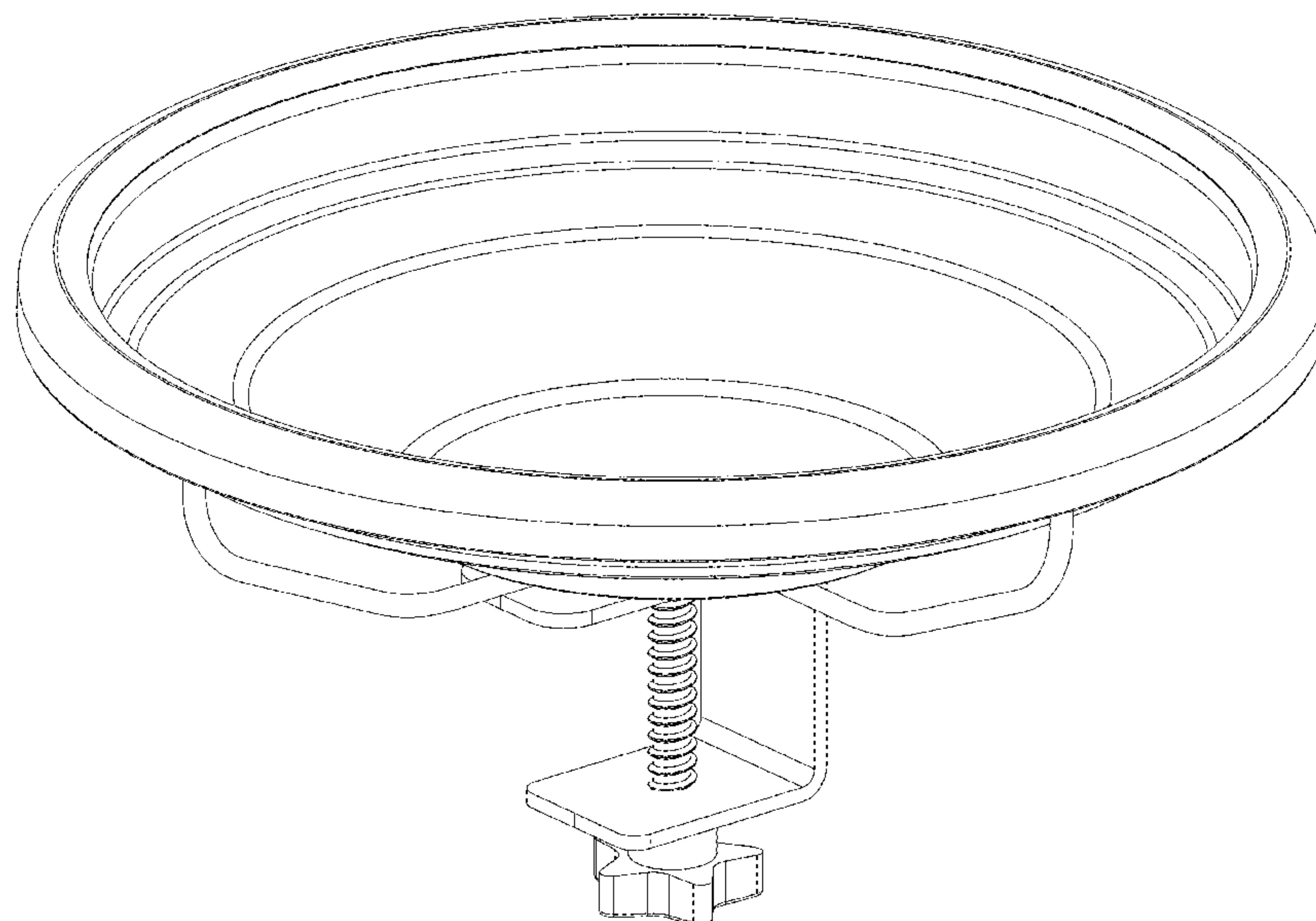
FIG. 4 is a rear elevation view thereof;

FIG. 5 is a left side elevation view thereof, the right side elevation view being a mirror image of the left side elevation view;

FIG. 6 is a top plan view thereof; and,

FIG. 7 is a bottom plan view thereof.

1 Claim, 7 Drawing Sheets



(56)

References Cited

U.S. PATENT DOCUMENTS

6,901,880 B2 * 6/2005 Hammer A01K 5/0114
119/61.4
7,011,041 B1 * 3/2006 Bradley A01K 45/002
119/69.5
7,219,623 B2 * 5/2007 Flowers A01K 45/002
119/69.5
D549,888 S 8/2007 Gross
D637,362 S * 5/2011 Gunn D30/129
8,146,534 B1 * 4/2012 Robertson A01K 7/005
119/61.54
D669,230 S 10/2012 Johnson
D905,913 S * 12/2020 Ruggles D30/132
2006/0037545 A1 * 2/2006 Bradley A01K 45/002
119/69.5
2017/0016593 A1 * 1/2017 Wang F21V 33/00
2021/0307300 A1 * 10/2021 Lauchner A01K 45/002

* cited by examiner

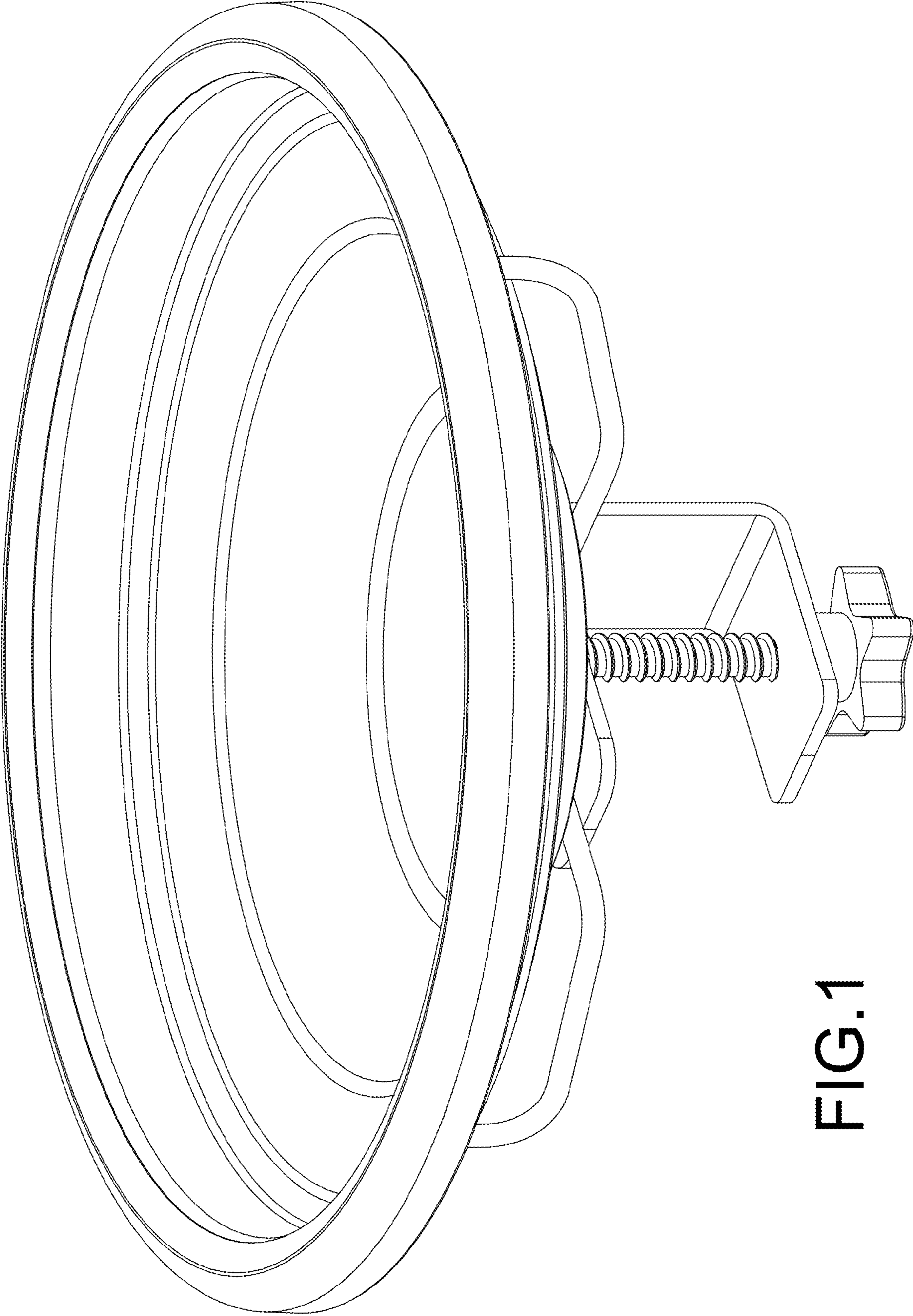


FIG.1

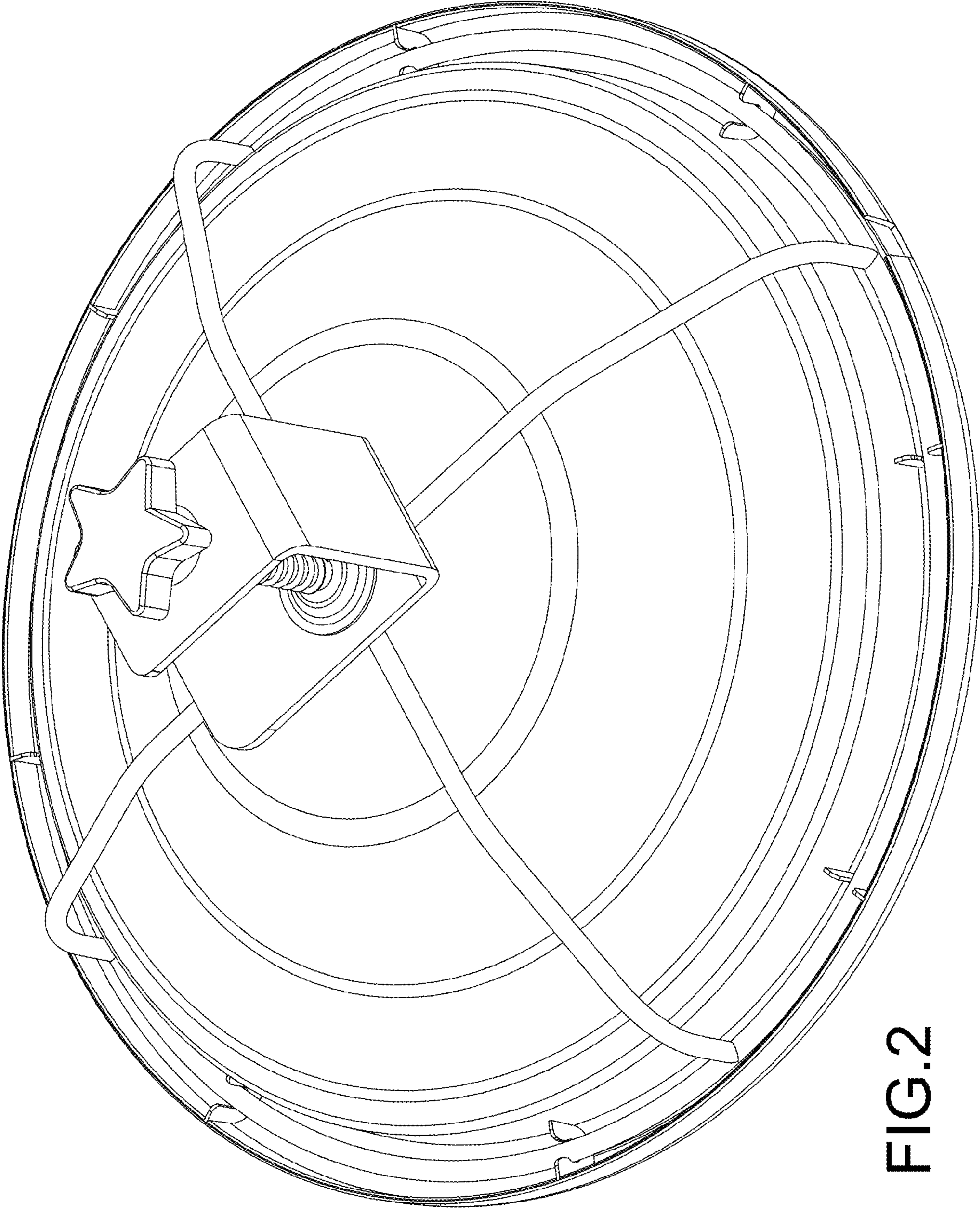


FIG.2

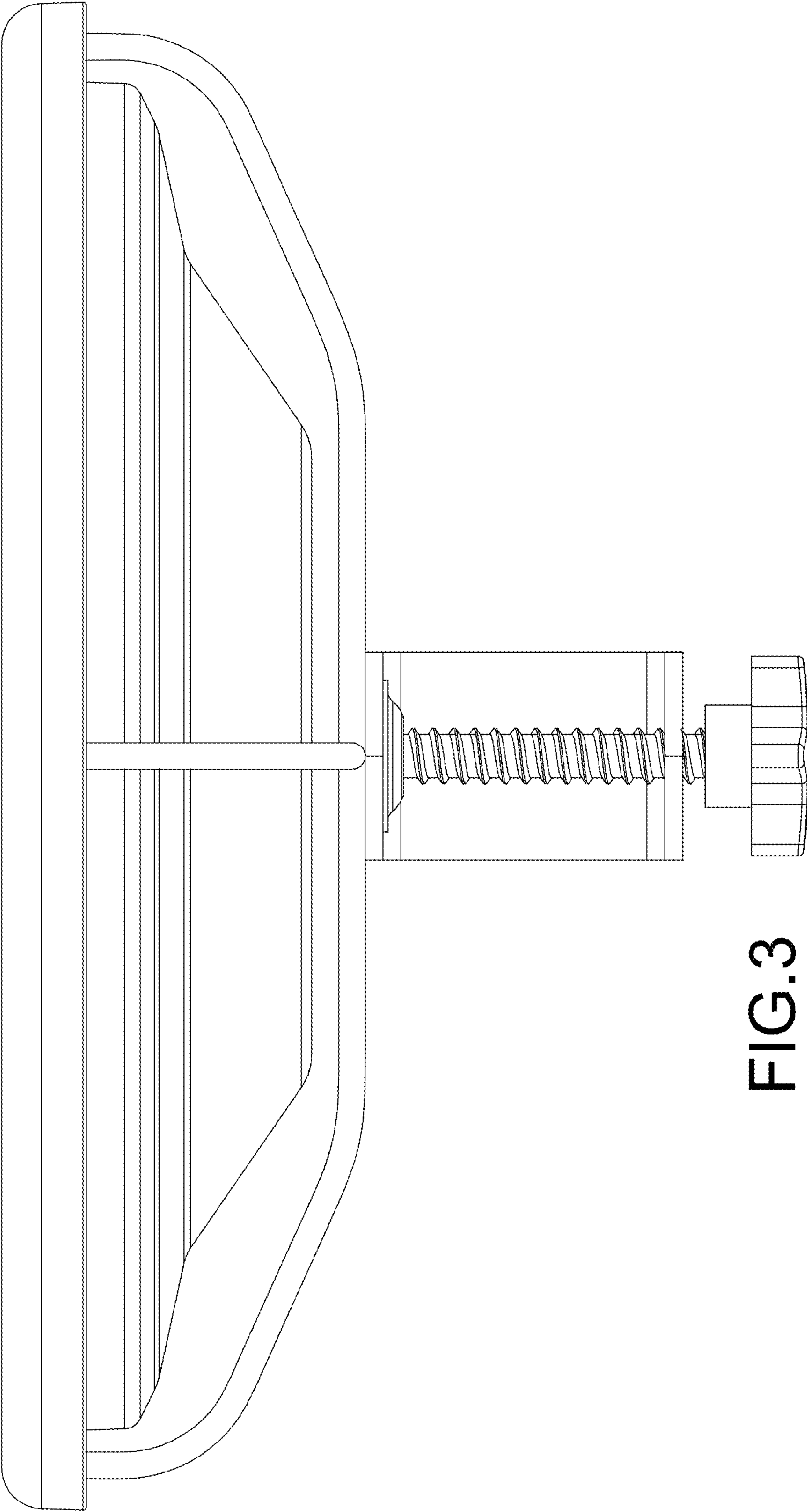


FIG.3

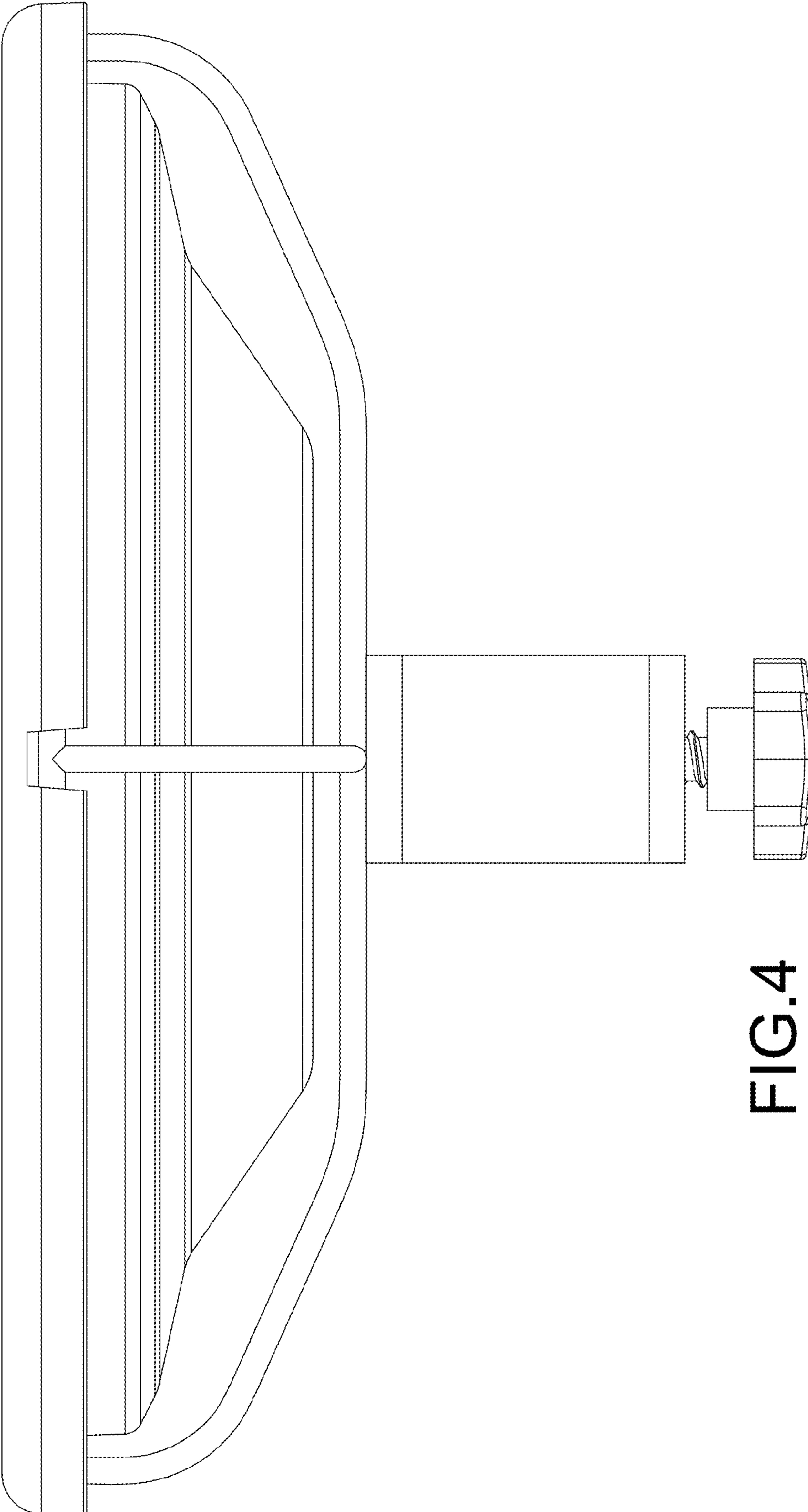


FIG.4

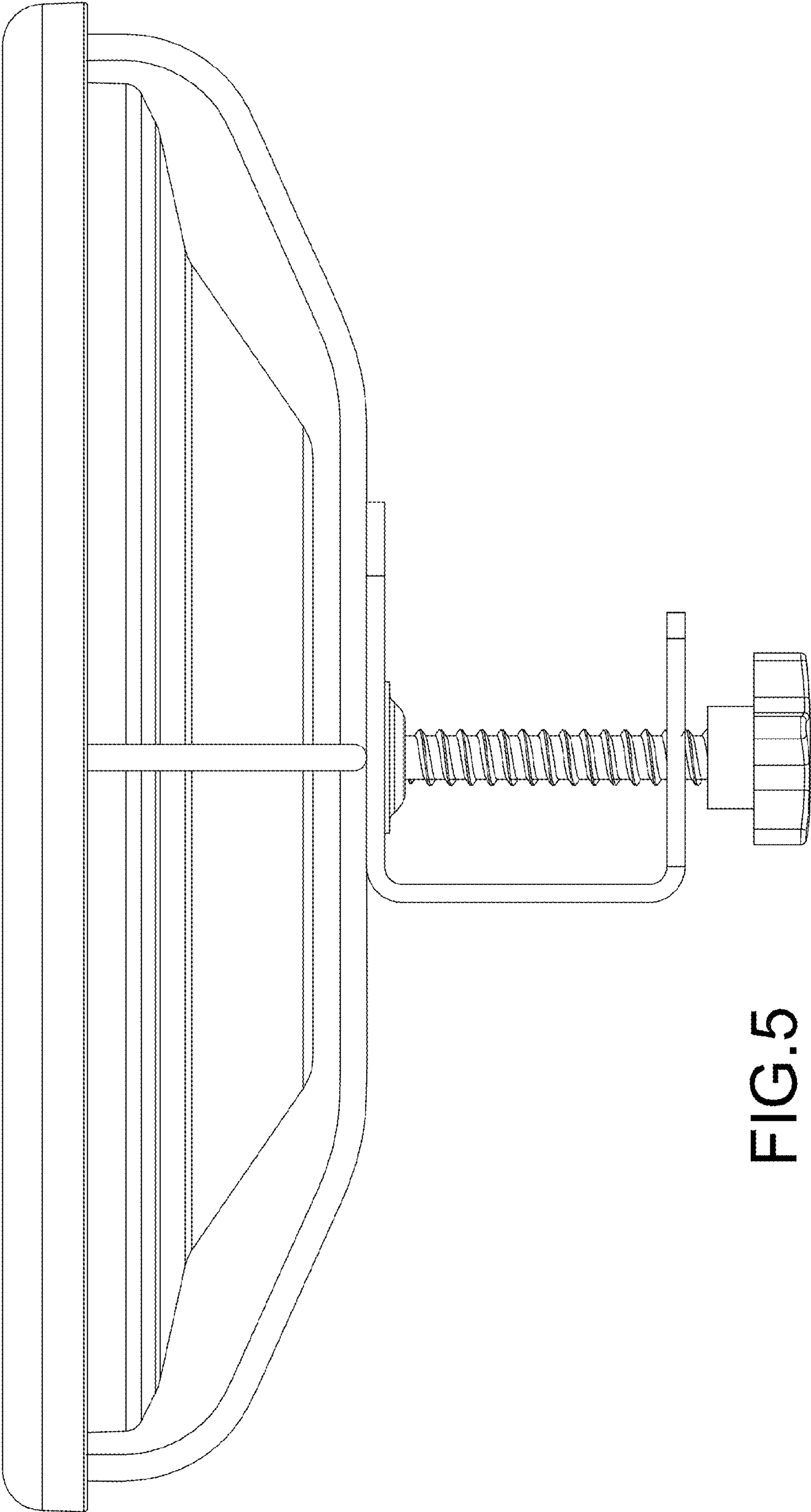


FIG.5

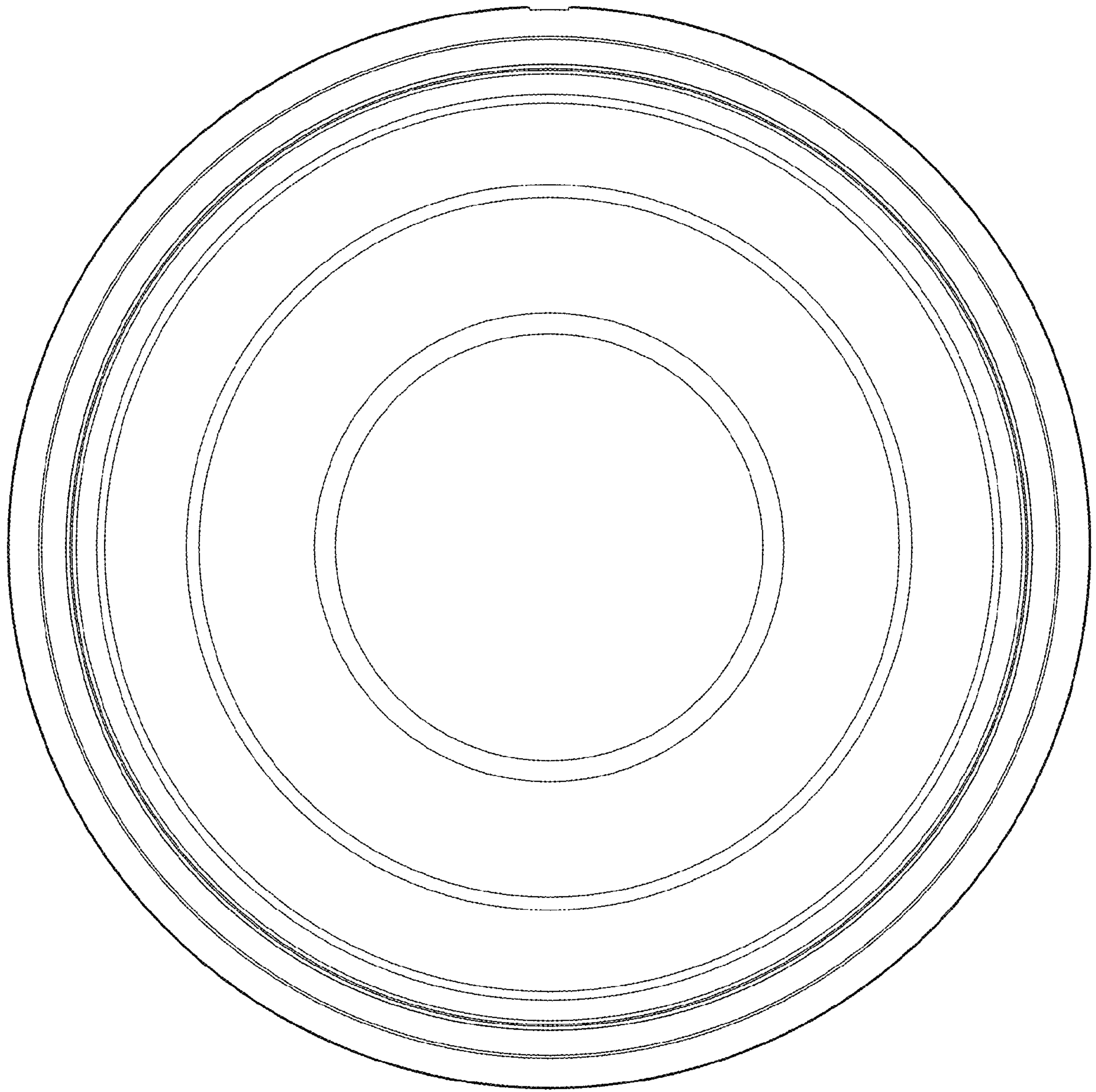


FIG.6

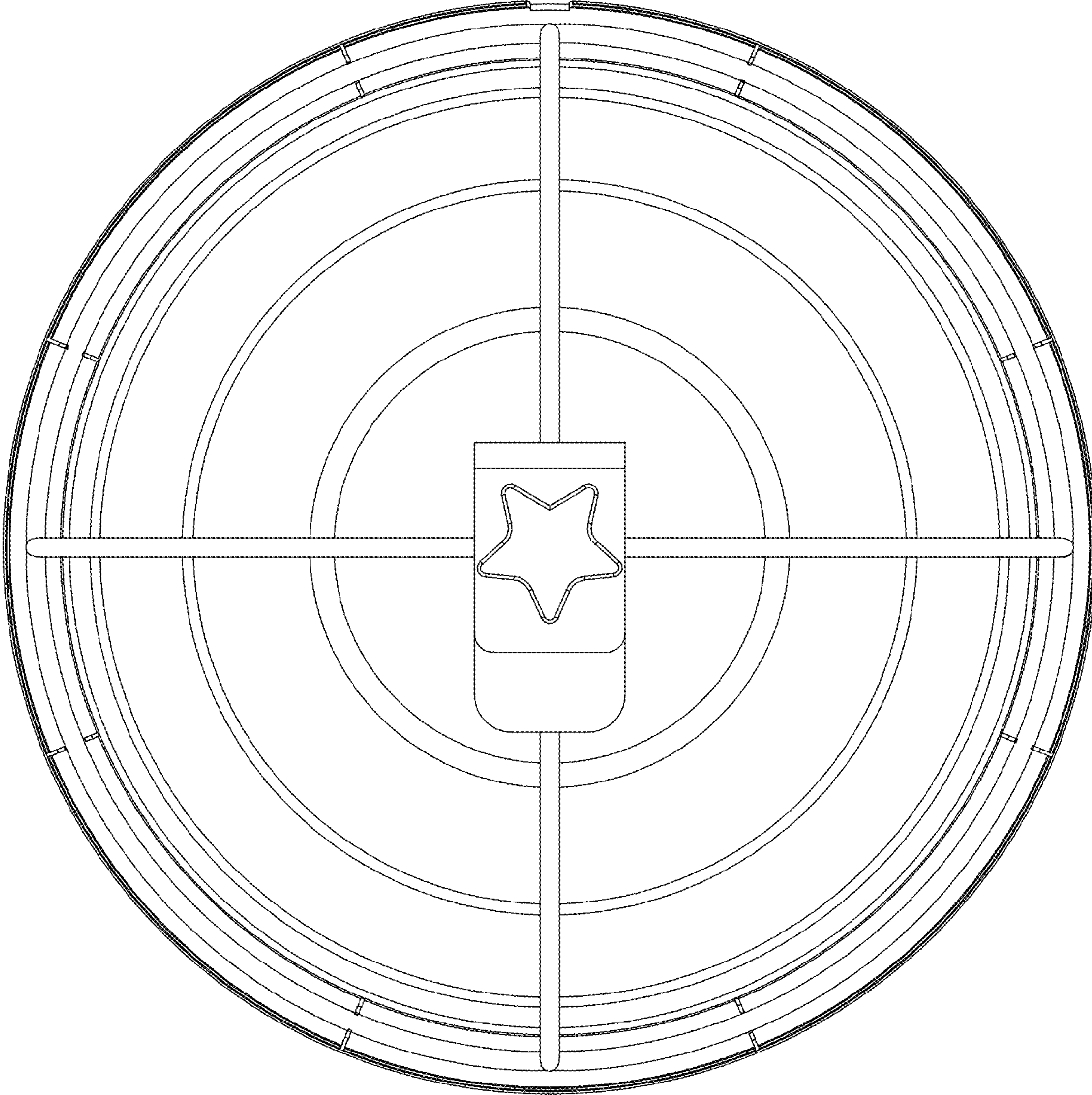


FIG.7