



US00D957060S

(12) **United States Design Patent** (10) **Patent No.:** **US D957,060 S**
Zhang et al. (45) **Date of Patent:** **** Jul. 5, 2022**

(54) **BEARD TRIMMER**

Primary Examiner — Jennifer Rivard

(71) Applicant: **KONINKLIJKE PHILIPS N.V.**,
Eindhoven (NL)

(57) **CLAIM**

The ornamental design for a beard trimmer, as shown and described.

(72) Inventors: **Mingshuo Zhang**, Amstelveen (NL);
Agustina Cociffi, Amsterdam (NL)

DESCRIPTION

(73) Assignee: **KONINKLIJKE PHILIPS N.V.**,
Eindhoven (NL)

(**) Term: **15 Years**

(21) Appl. No.: **29/752,812**

(22) Filed: **Sep. 29, 2020**

Related U.S. Application Data

(63) Continuation of application No. 29/692,602, filed on
May 28, 2019, now Pat. No. Des. 897,603.

(30) **Foreign Application Priority Data**

Nov. 27, 2018 (EM) 005835196

(51) **LOC (13) Cl.** **28-03**

(52) **U.S. Cl.**
USPC **D28/53**

(58) **Field of Classification Search**
USPC D28/49–54
CPC B26B 19/00–107; B26B 19/12; B26B
19/20–22; B26B 19/3806–3833; B26B
19/3853–3886

See application file for complete search history.

(56) **References Cited**

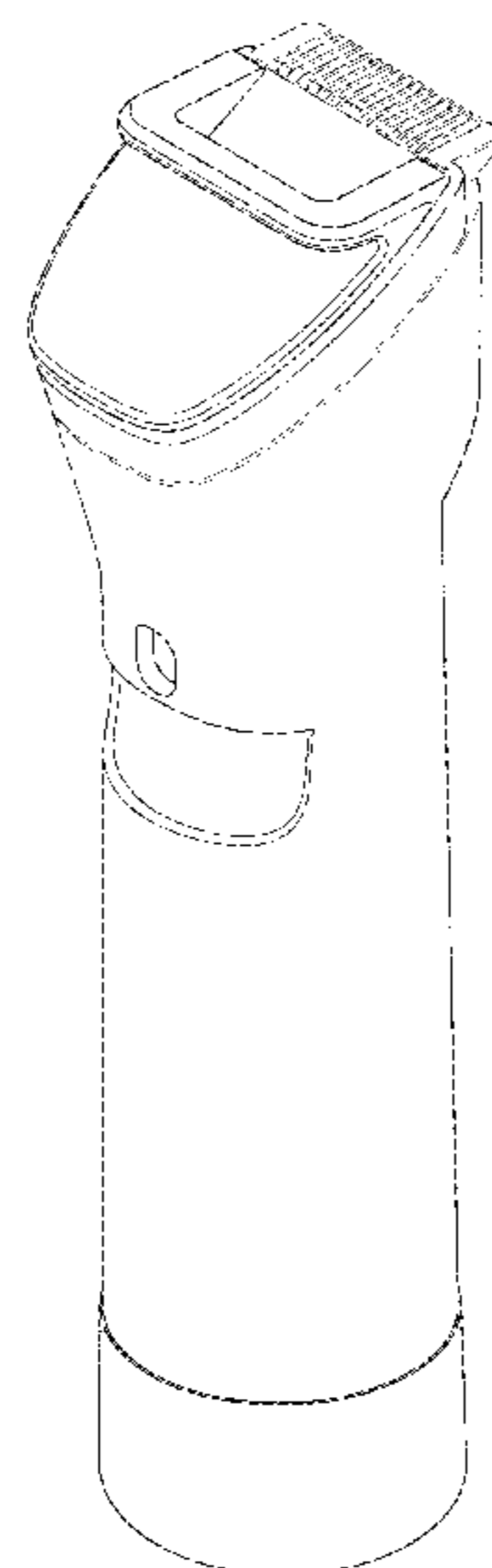
U.S. PATENT DOCUMENTS

D853,646 S * 7/2019 Boulanger D28/53
D853,647 S * 7/2019 Boulanger D28/53
D853,648 S * 7/2019 Boulanger D28/53
D867,663 S * 11/2019 Boulanger D28/53

(Continued)

FIG. 1 is a perspective view showing the first embodiment of a beard trimmer according to my design;
FIG. 2 is a front elevational view thereof;
FIG. 3 is a rear elevational view thereof;
FIG. 4 is a right side elevational view thereof;
FIG. 5 is a left side elevational view thereof;
FIG. 6 is a top plan view thereof;
FIG. 7 is a bottom plan view thereof;
FIG. 8 is a perspective view showing the second embodiment of a beard trimmer according to my design;
FIG. 9 is a front elevational view thereof;
FIG. 10 is a rear elevational view thereof;
FIG. 11 is a right side elevational view thereof;
FIG. 12 is a left side elevational view thereof;
FIG. 13 is a top plan view thereof;
FIG. 14 is a bottom plan view thereof;
FIG. 15 is a perspective view showing the third embodiment of a beard trimmer according to my design;
FIG. 16 is a front elevational view thereof;
FIG. 17 is a rear elevational view thereof;
FIG. 18 is a right side elevational view thereof;
FIG. 19 is a left side elevational view thereof;
FIG. 20 is a top plan view thereof;
FIG. 21 is a bottom plan view thereof;
FIG. 22 is a perspective view showing the fourth embodiment of a beard trimmer according to my design;
FIG. 23 is a front elevational view thereof;
FIG. 24 is a rear elevational view thereof;
FIG. 25 is a right side elevational view thereof;
FIG. 26 is a left side elevational view thereof;
FIG. 27 is a top plan view thereof; and,
FIG. 28 is a bottom plan view thereof.

1 Claim, 16 Drawing Sheets



(56)

References Cited

U.S. PATENT DOCUMENTS

D897,603 S * 9/2020 Zhang D28/53
D917,784 S * 4/2021 Zhang D28/53

* cited by examiner

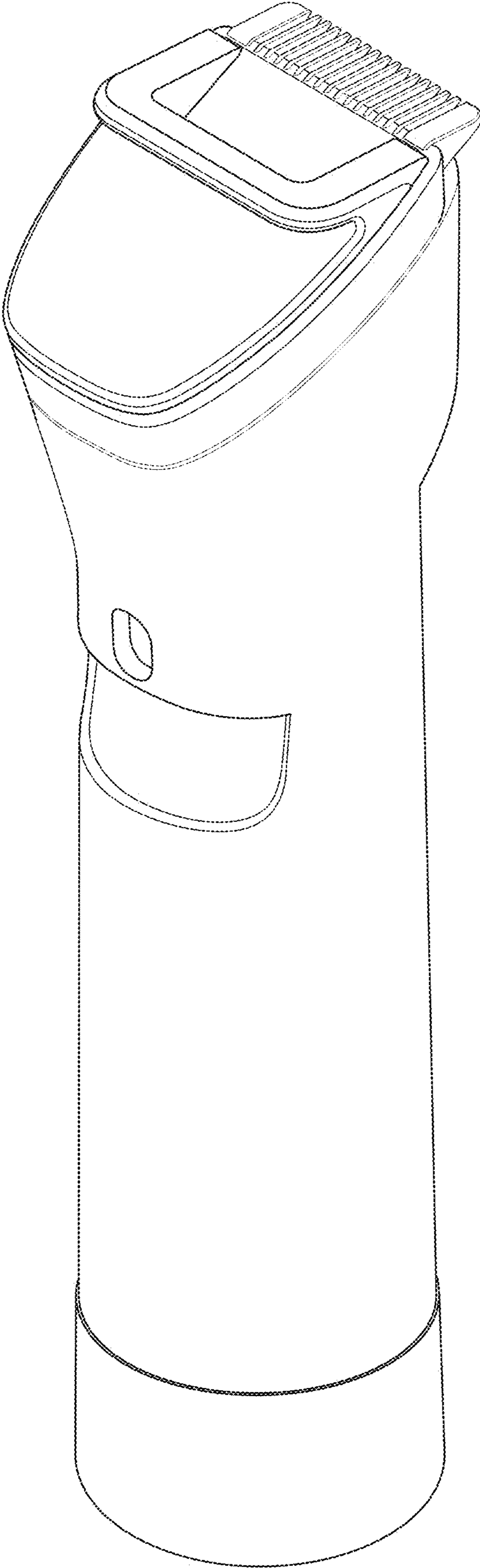


FIG. 1

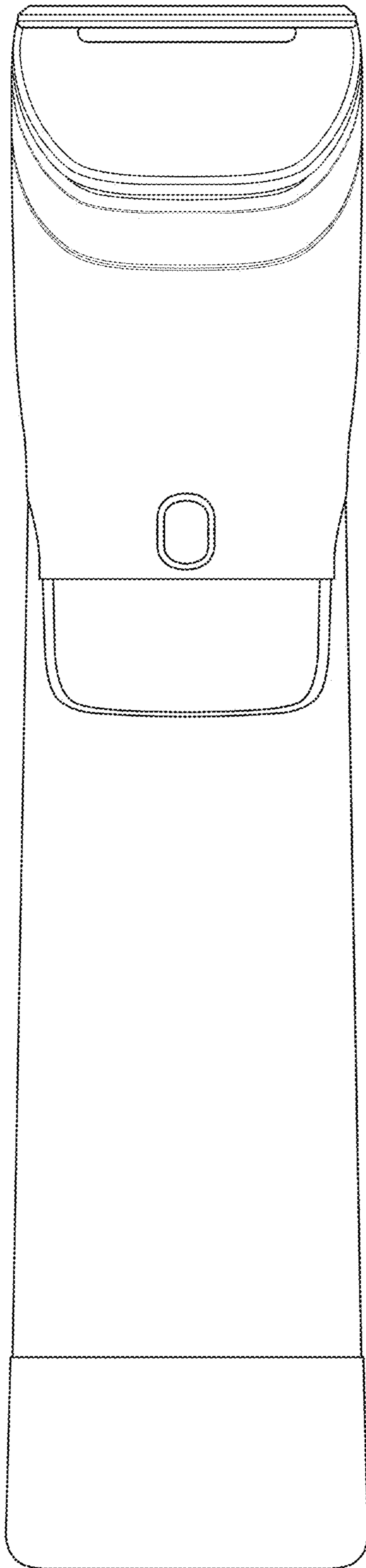


FIG. 2

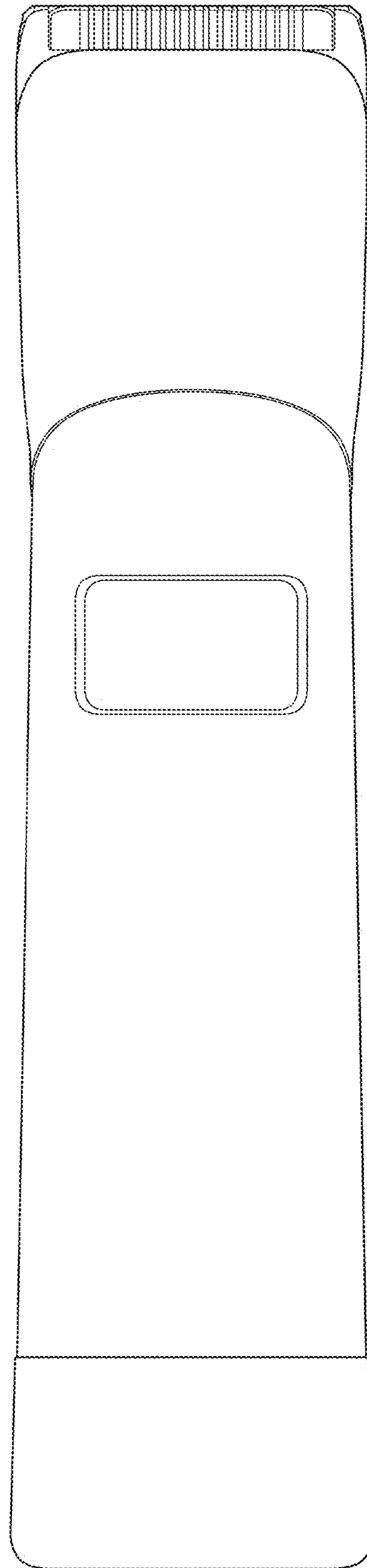


FIG. 3

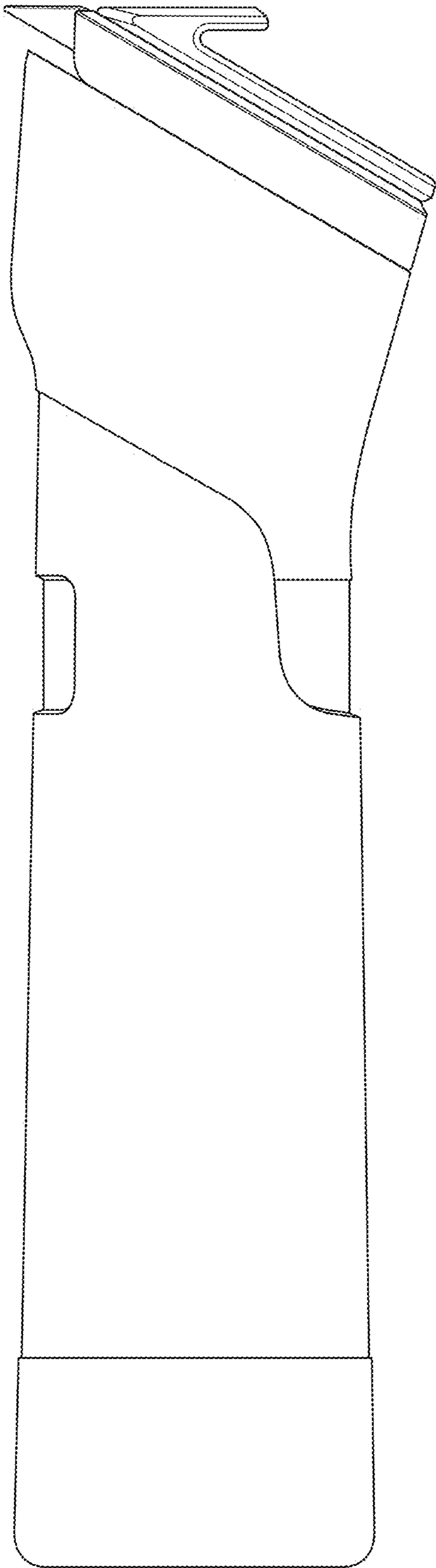


FIG. 4

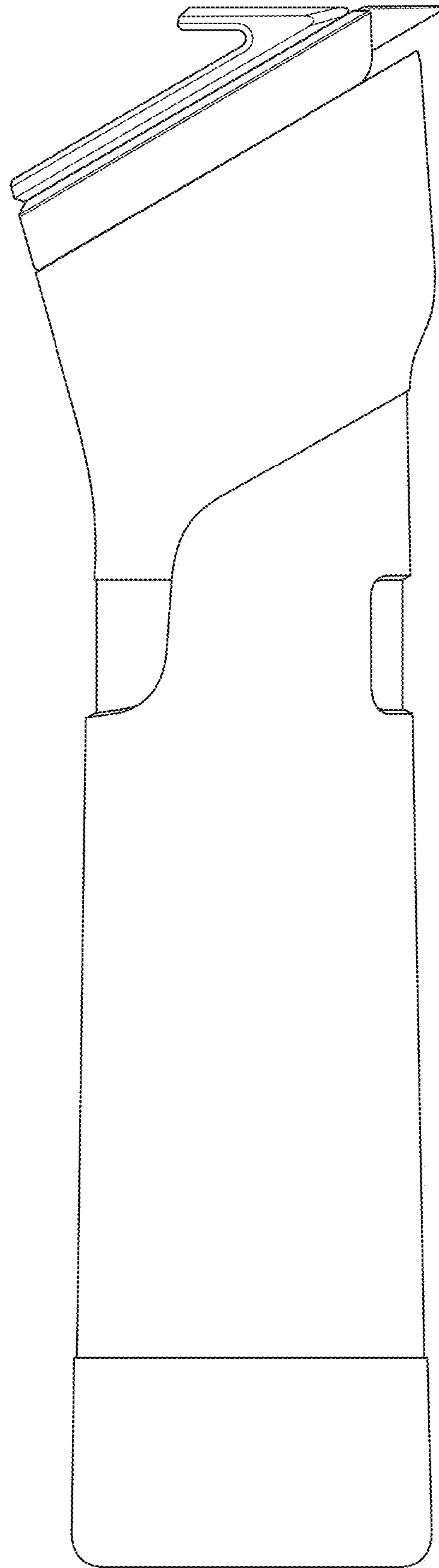


FIG. 5

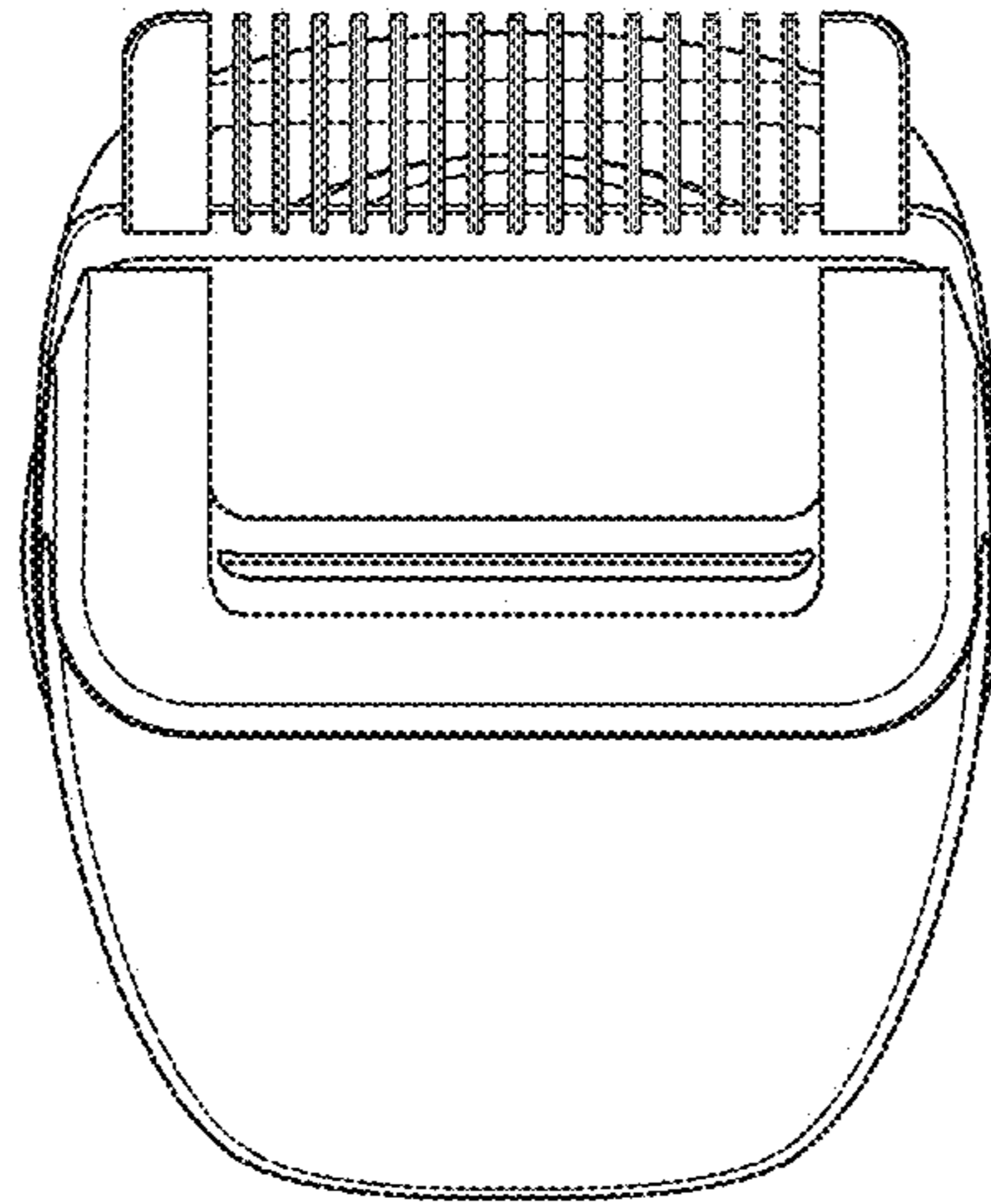


FIG. 6

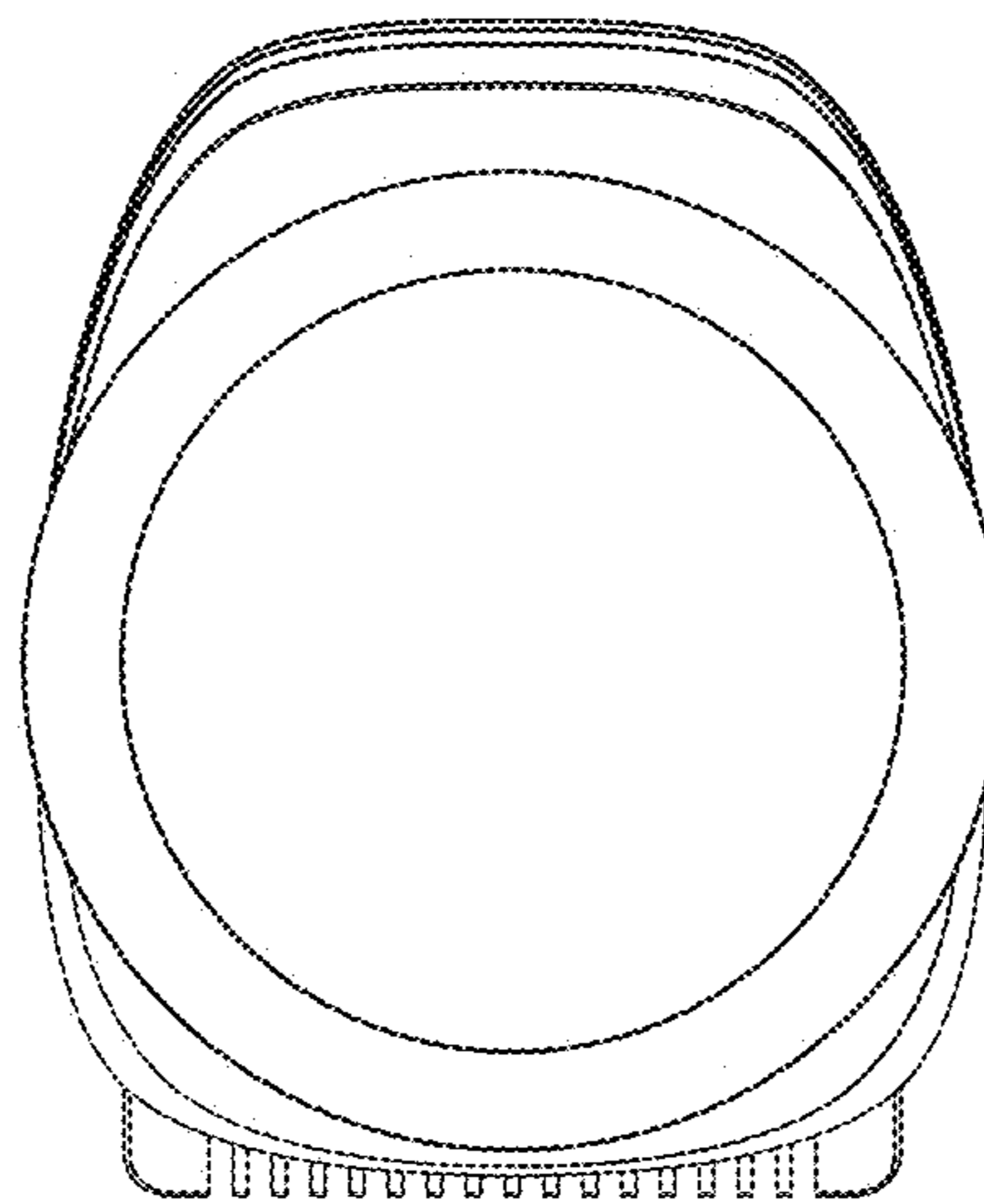


FIG. 7

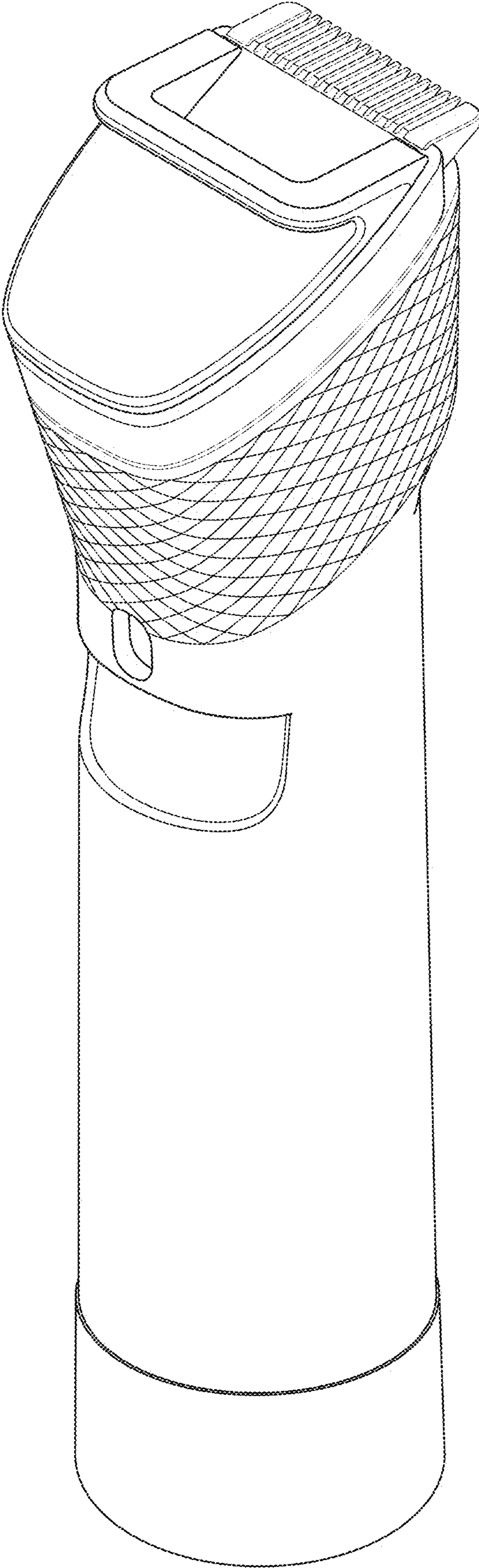


FIG. 8

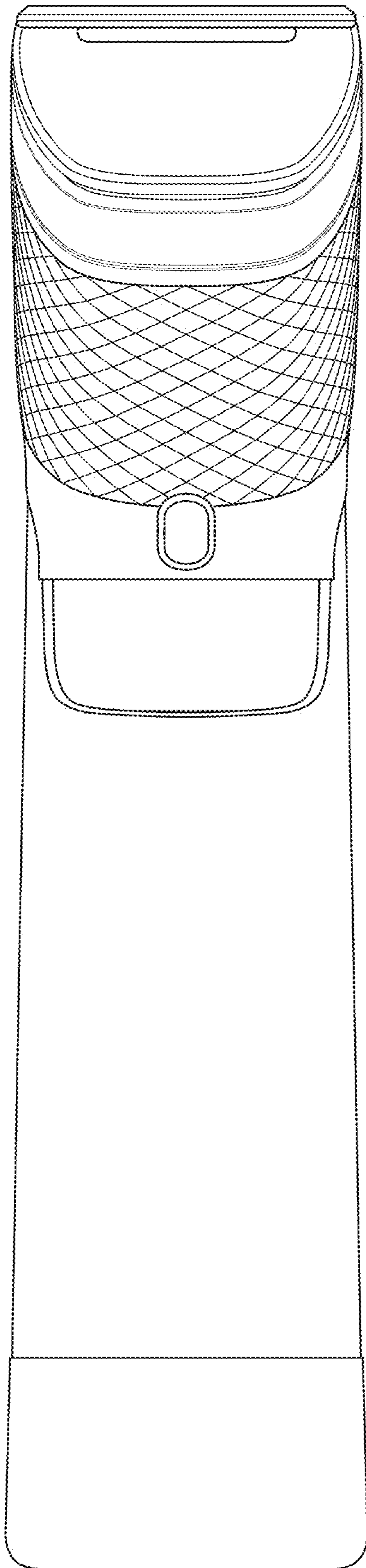


FIG. 9

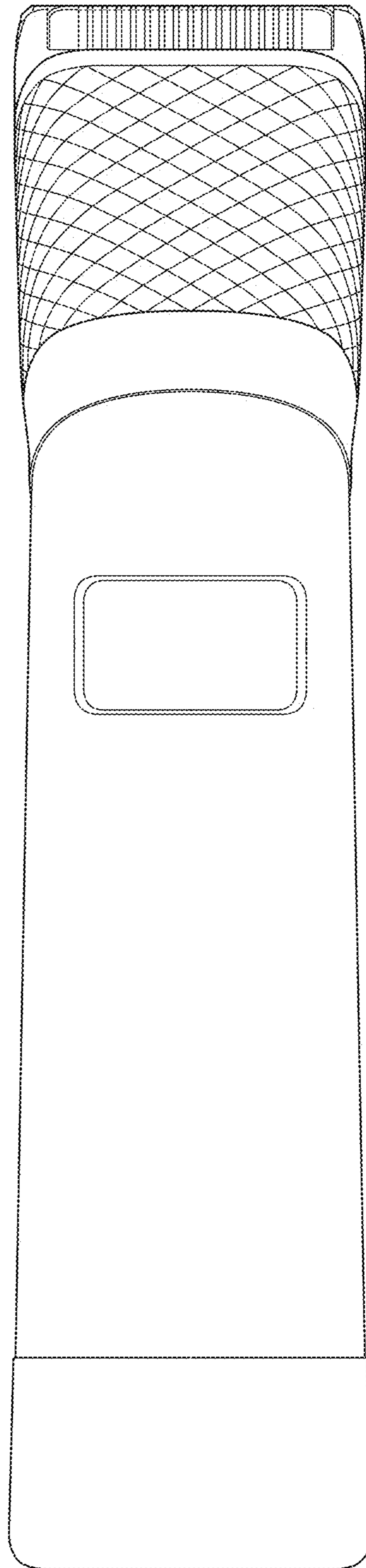


FIG. 10

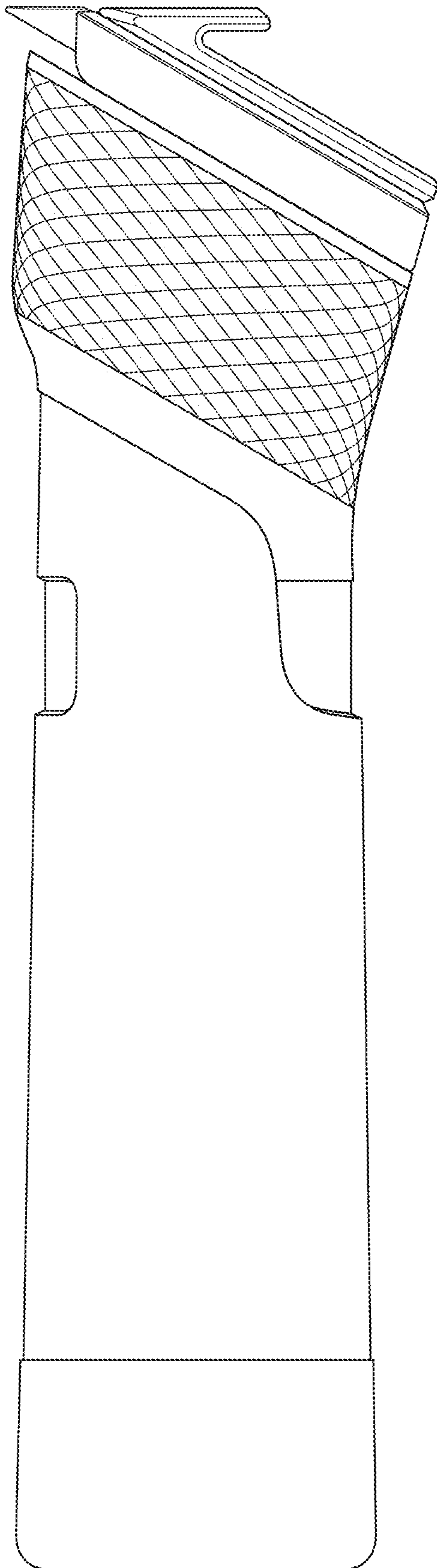


FIG. 11

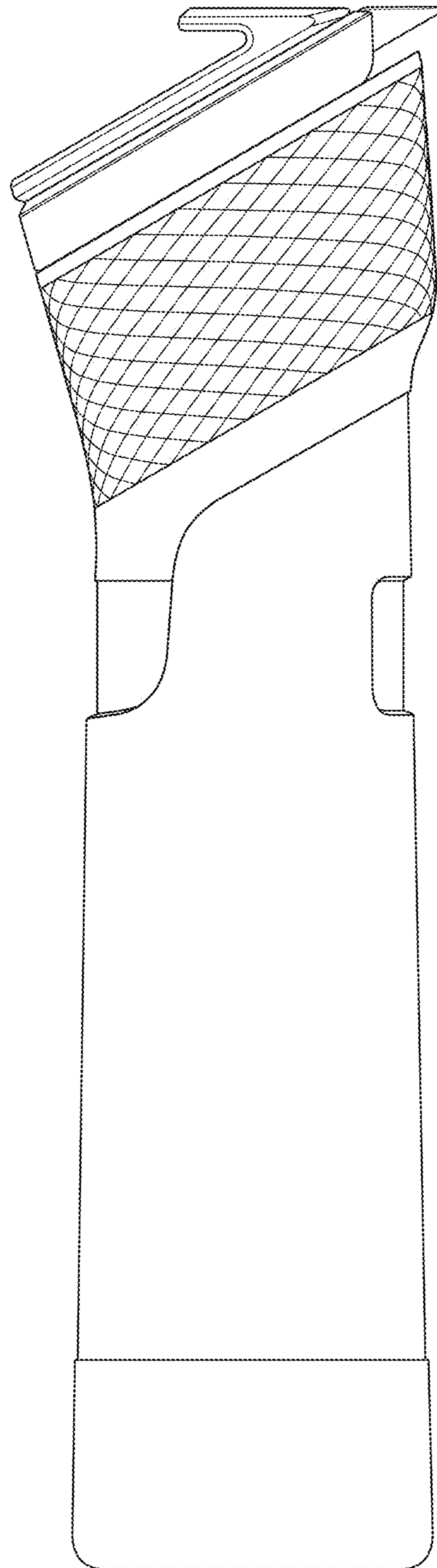


FIG. 12

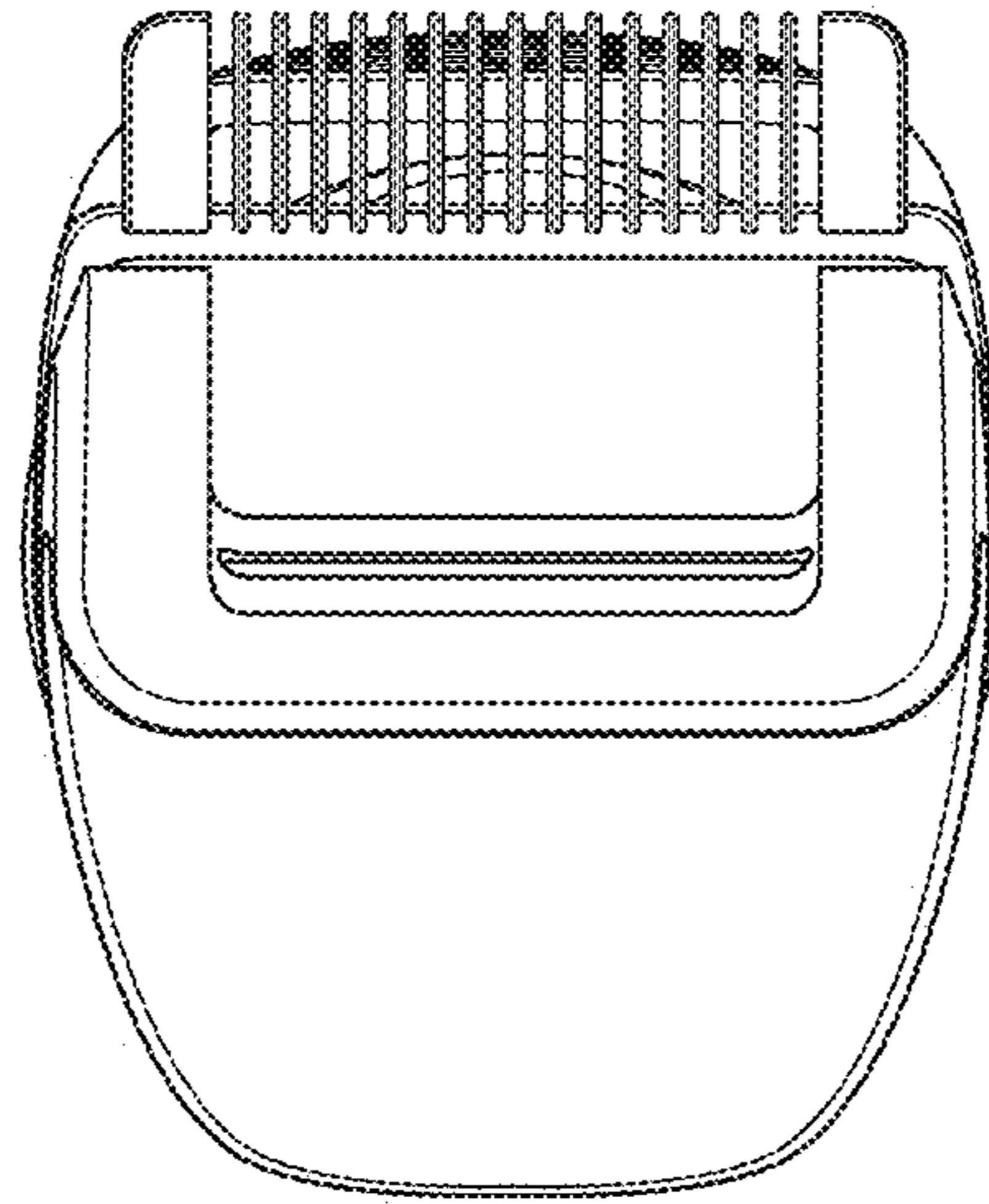


FIG. 13

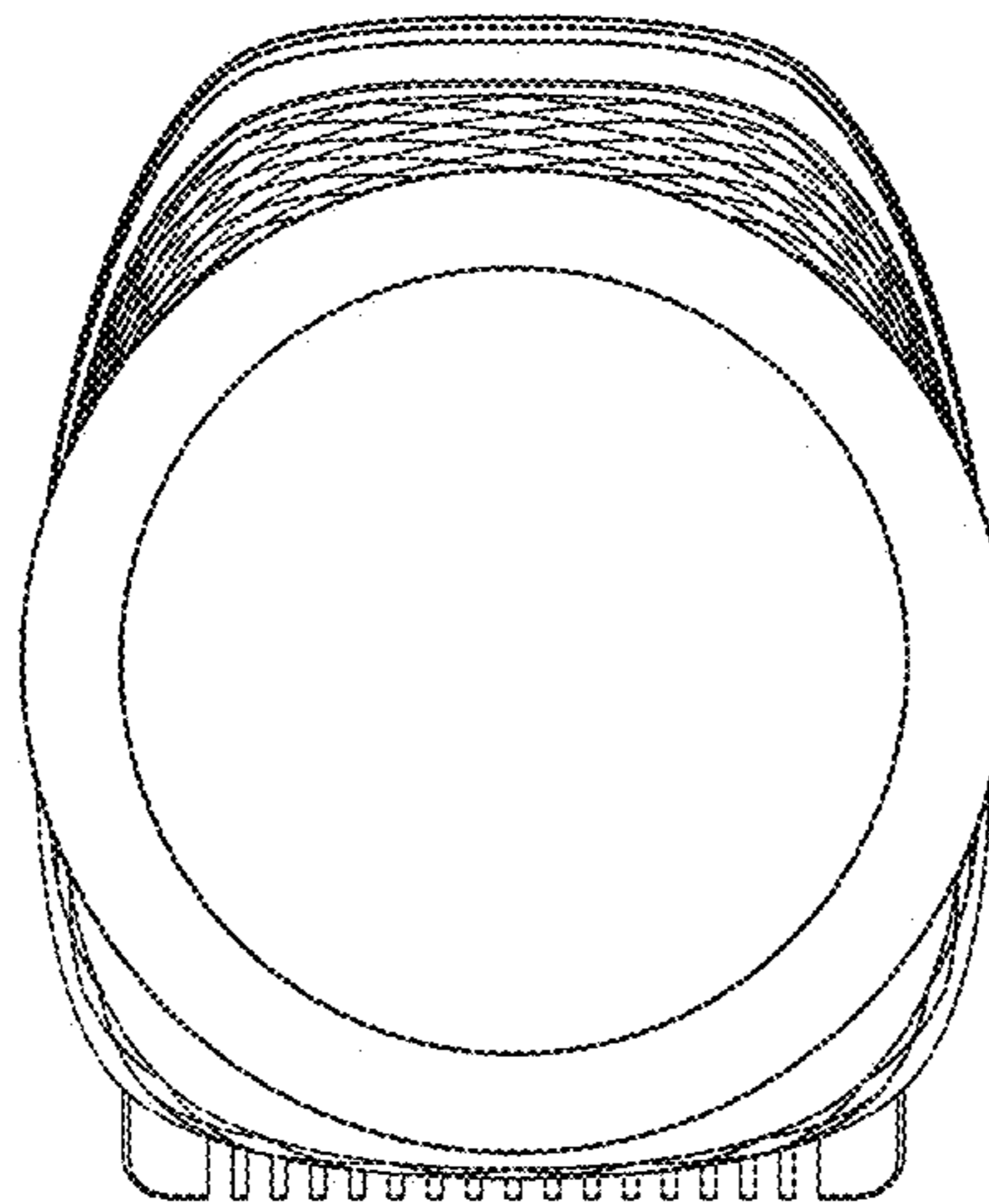


FIG. 14

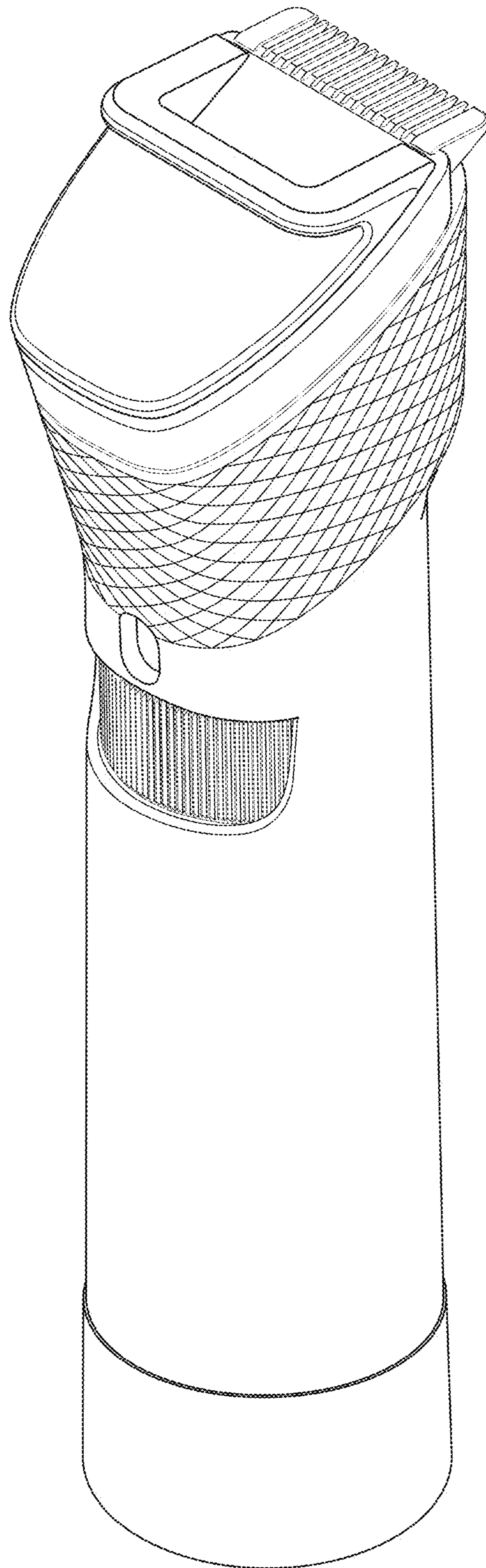


FIG. 15

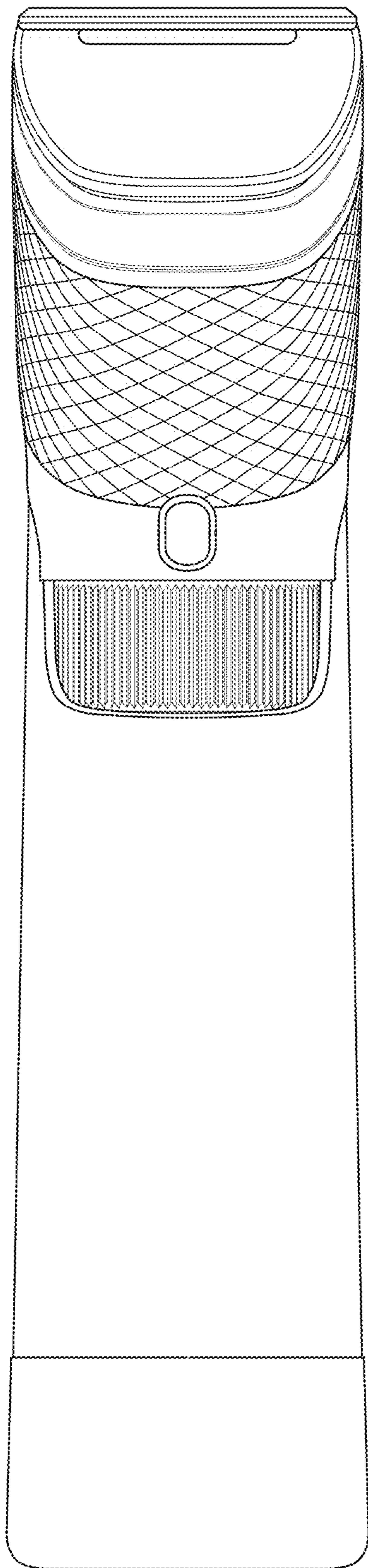


FIG. 16

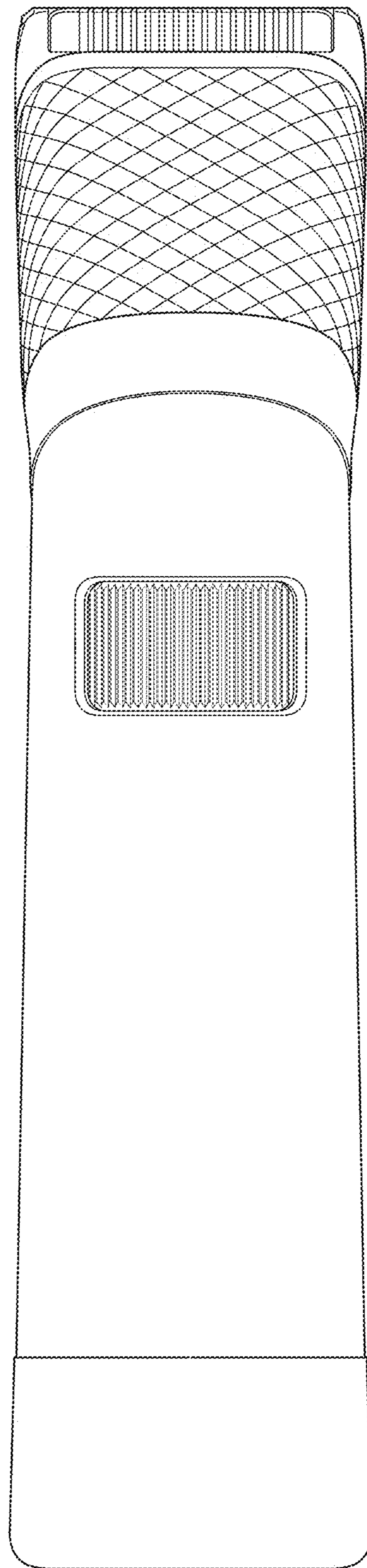


FIG. 17

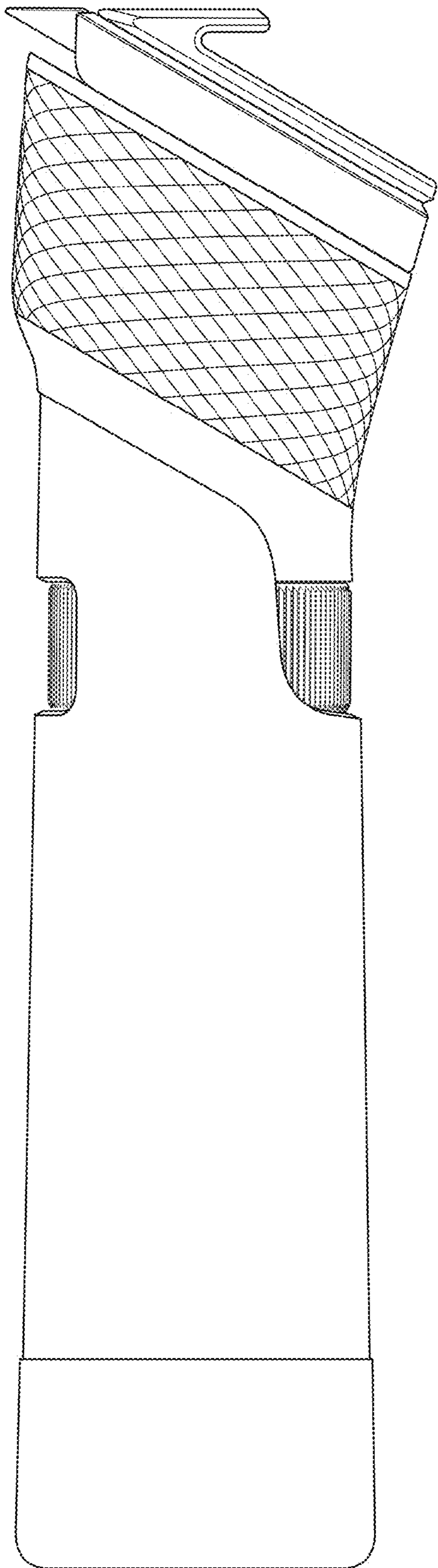


FIG. 18

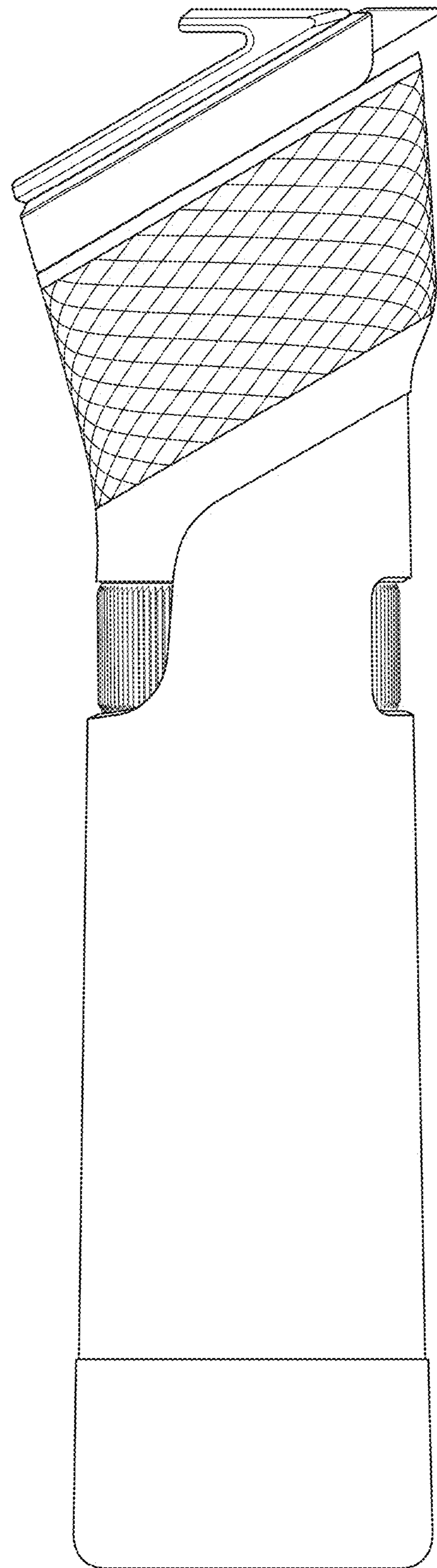


FIG. 19

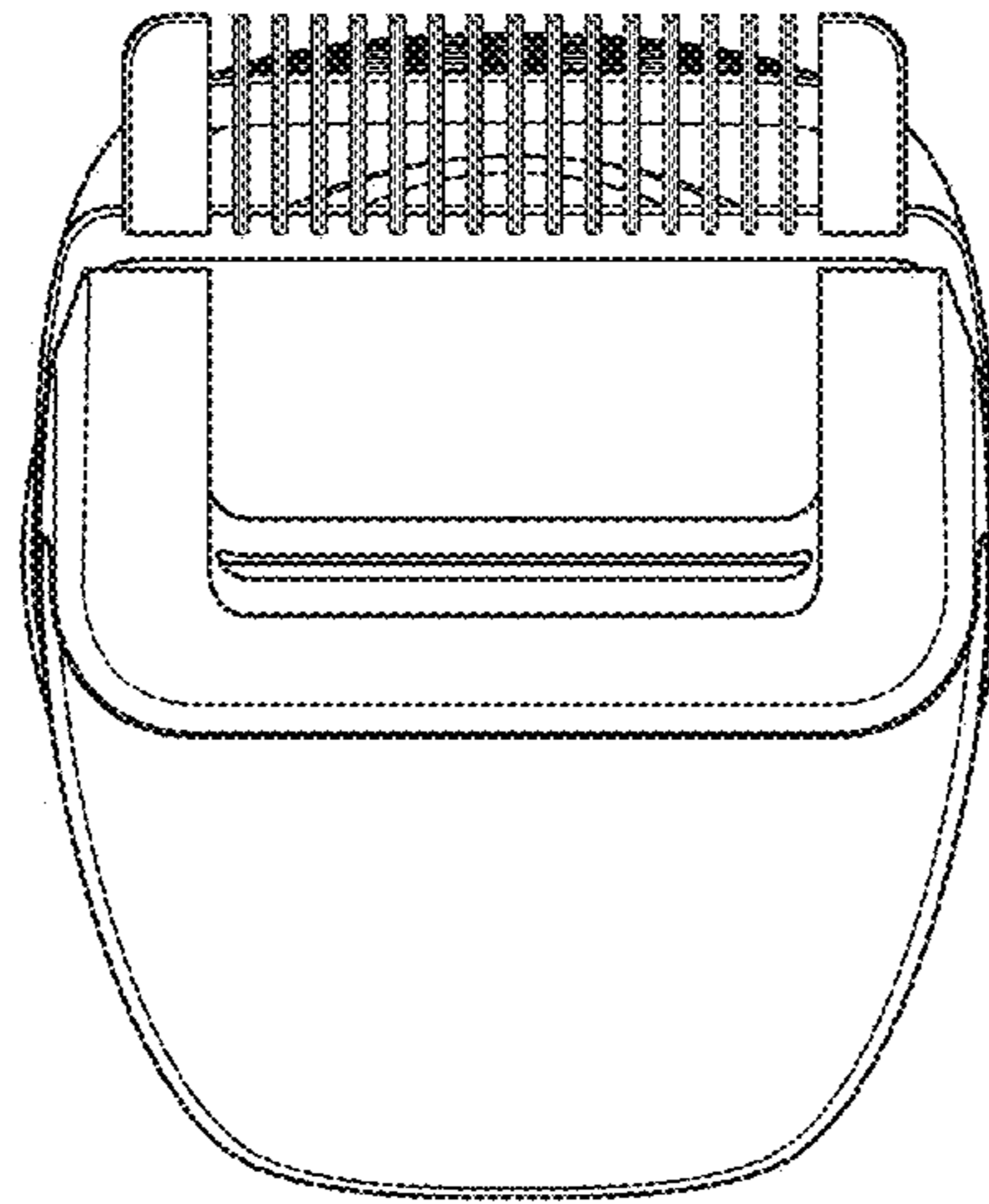


FIG. 20

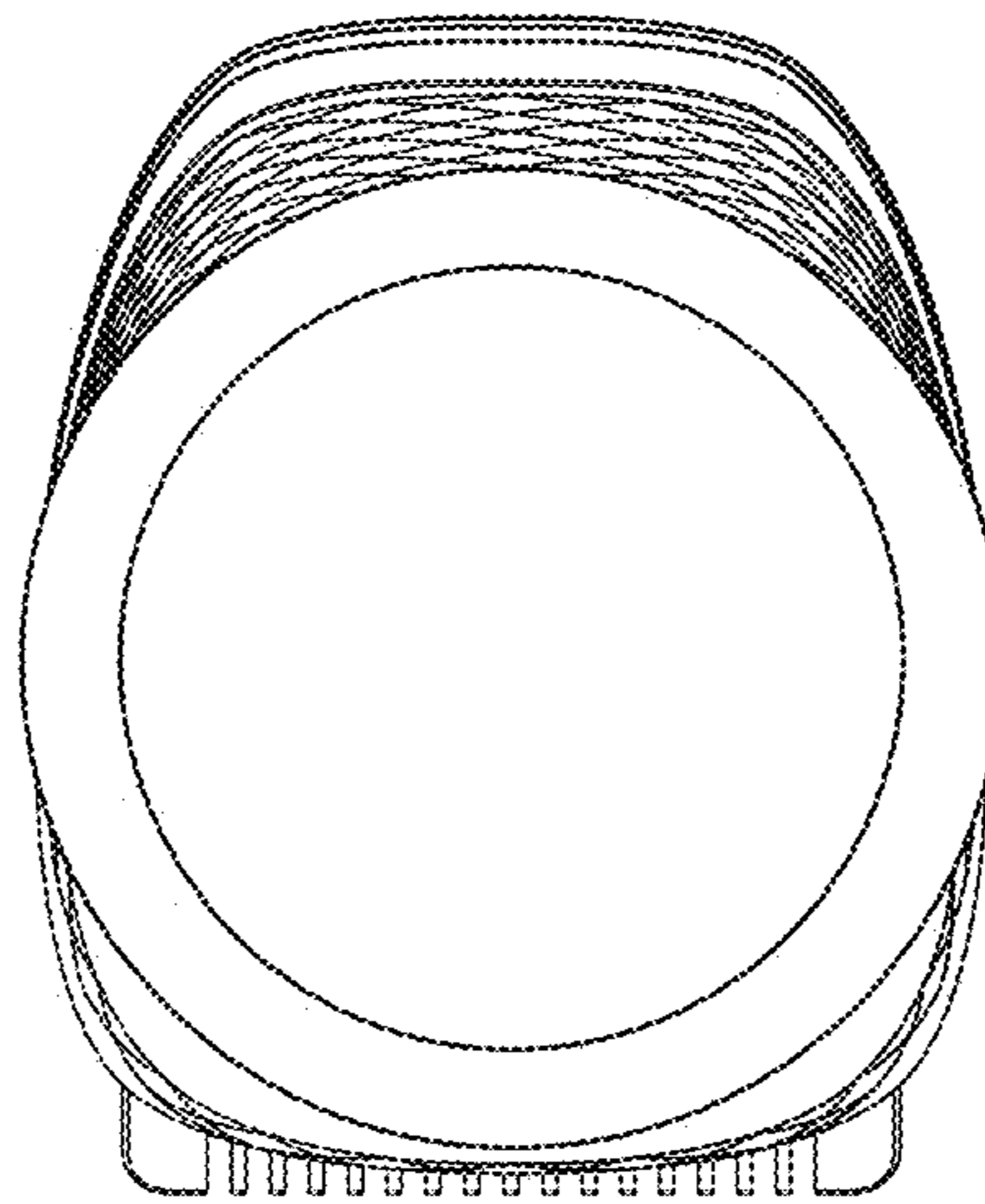


FIG. 21

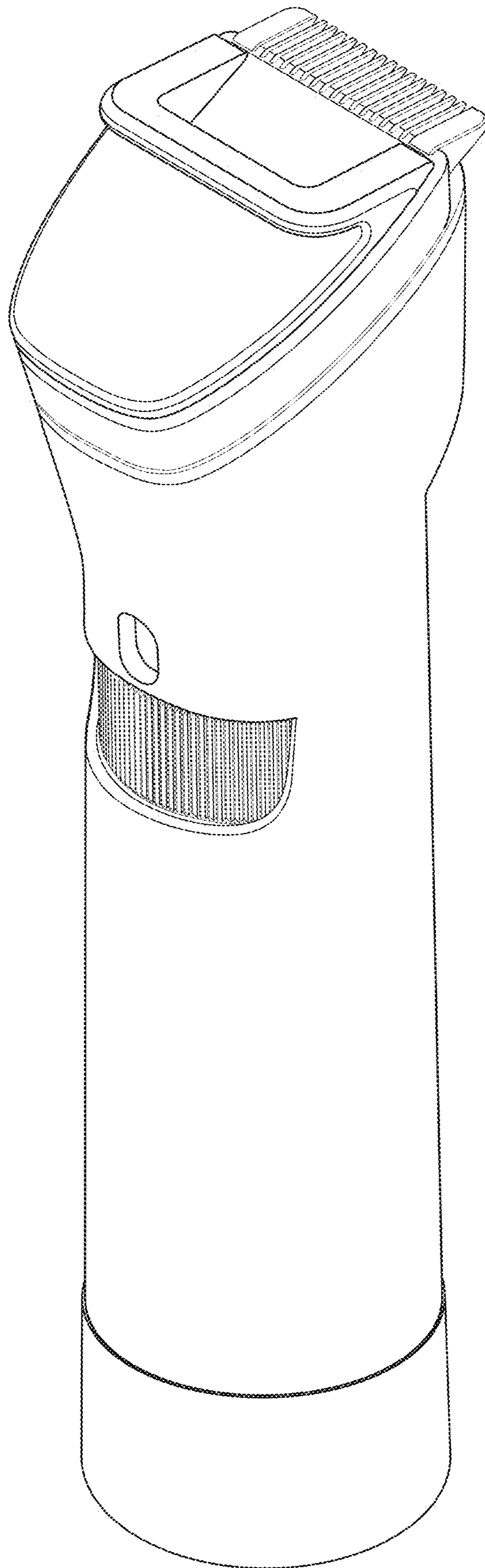


FIG. 22

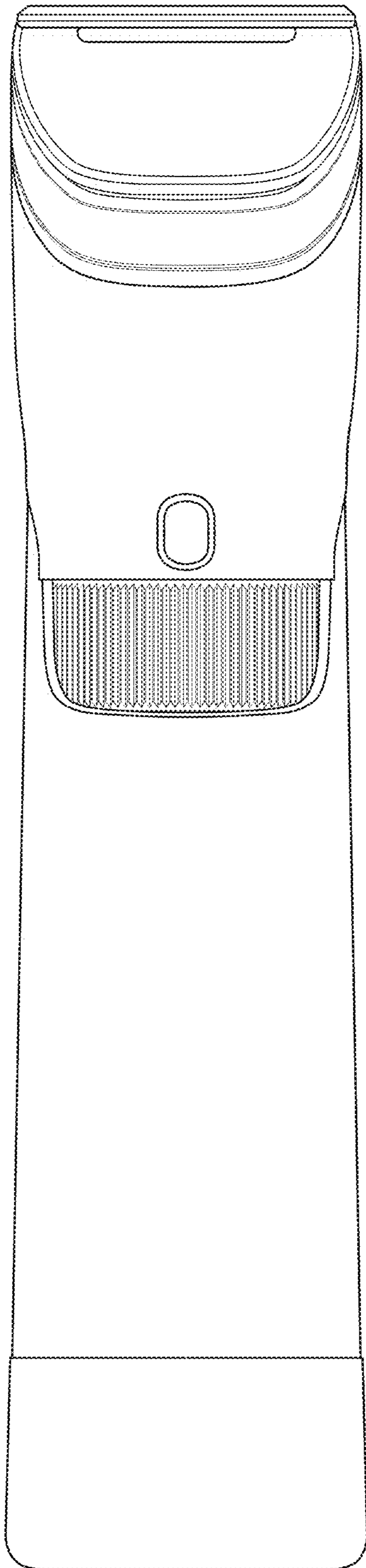


FIG. 23

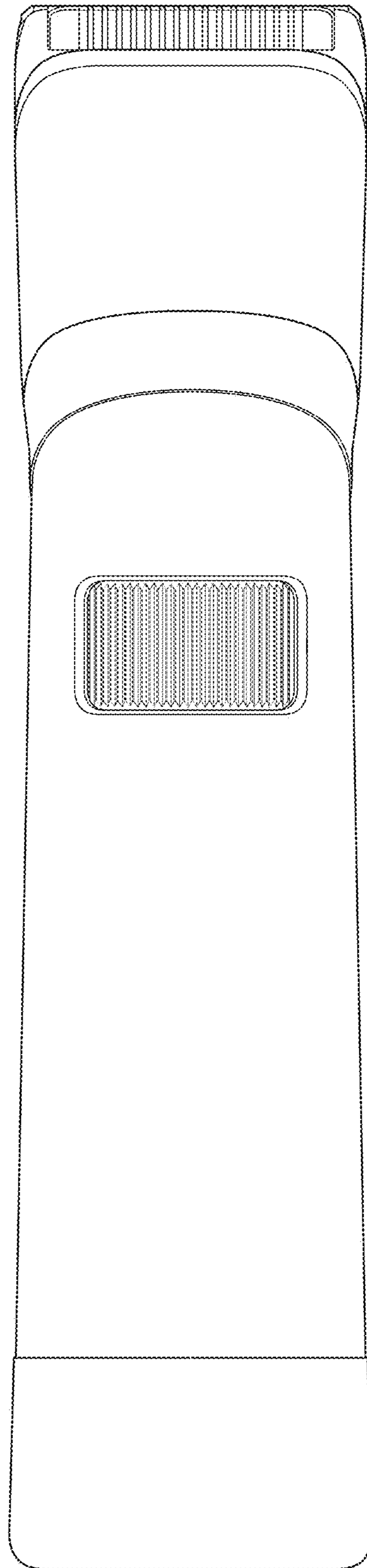


FIG. 24

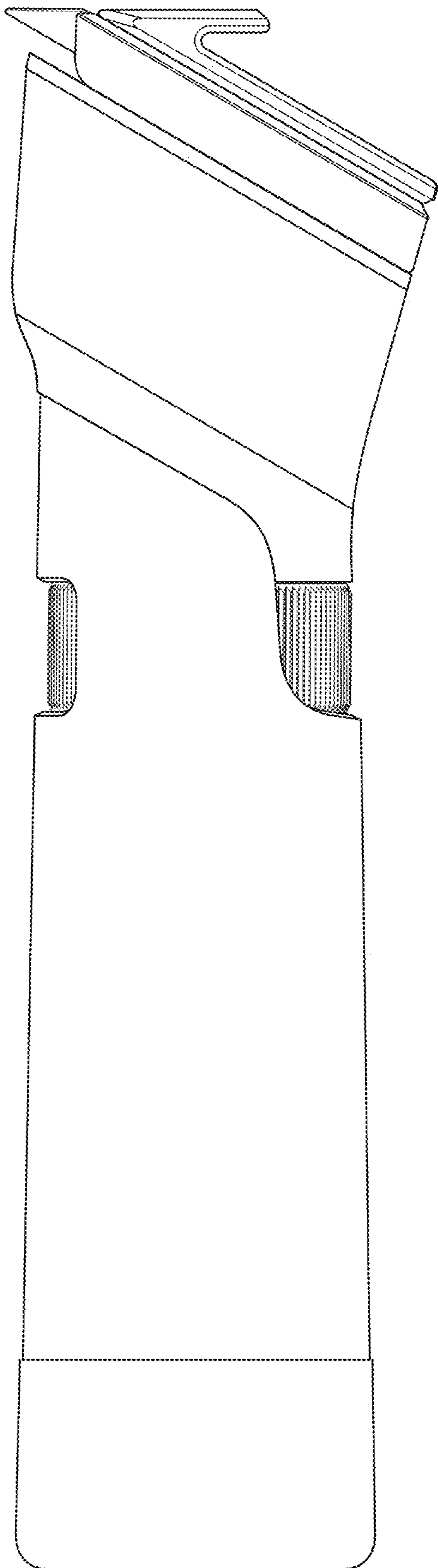


FIG. 25

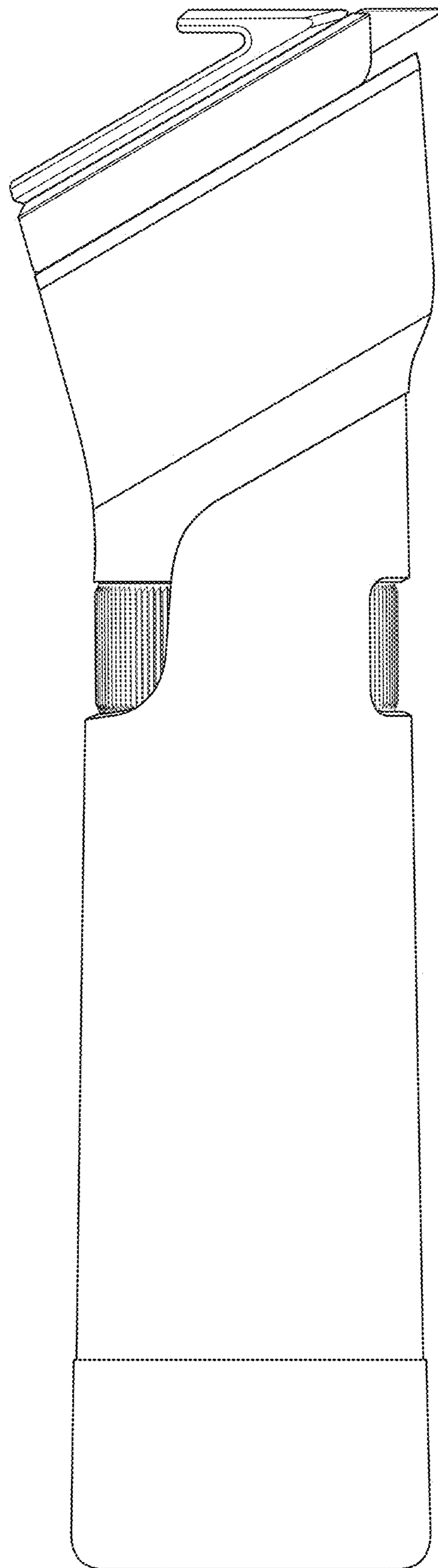


FIG. 26

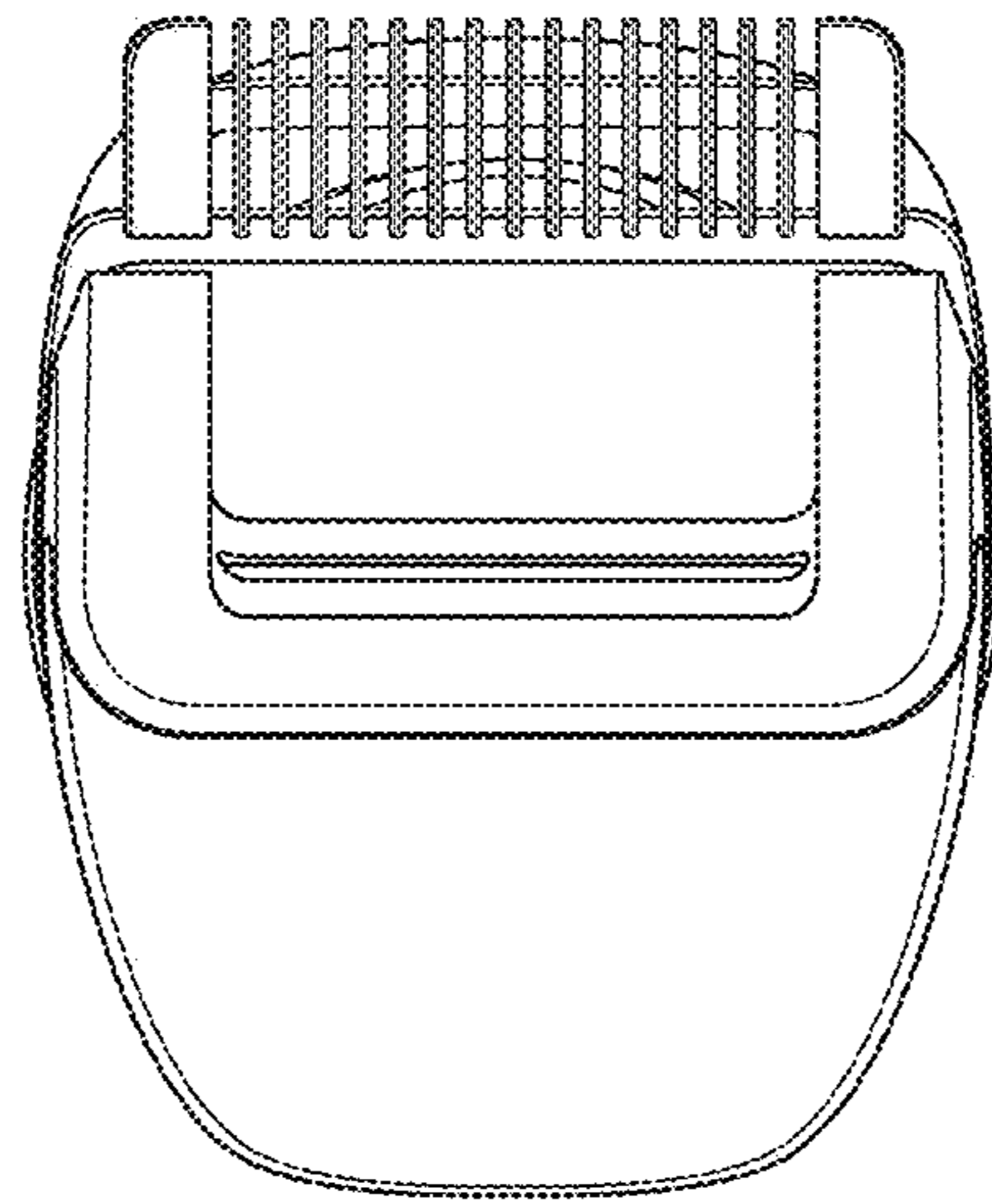


FIG. 27

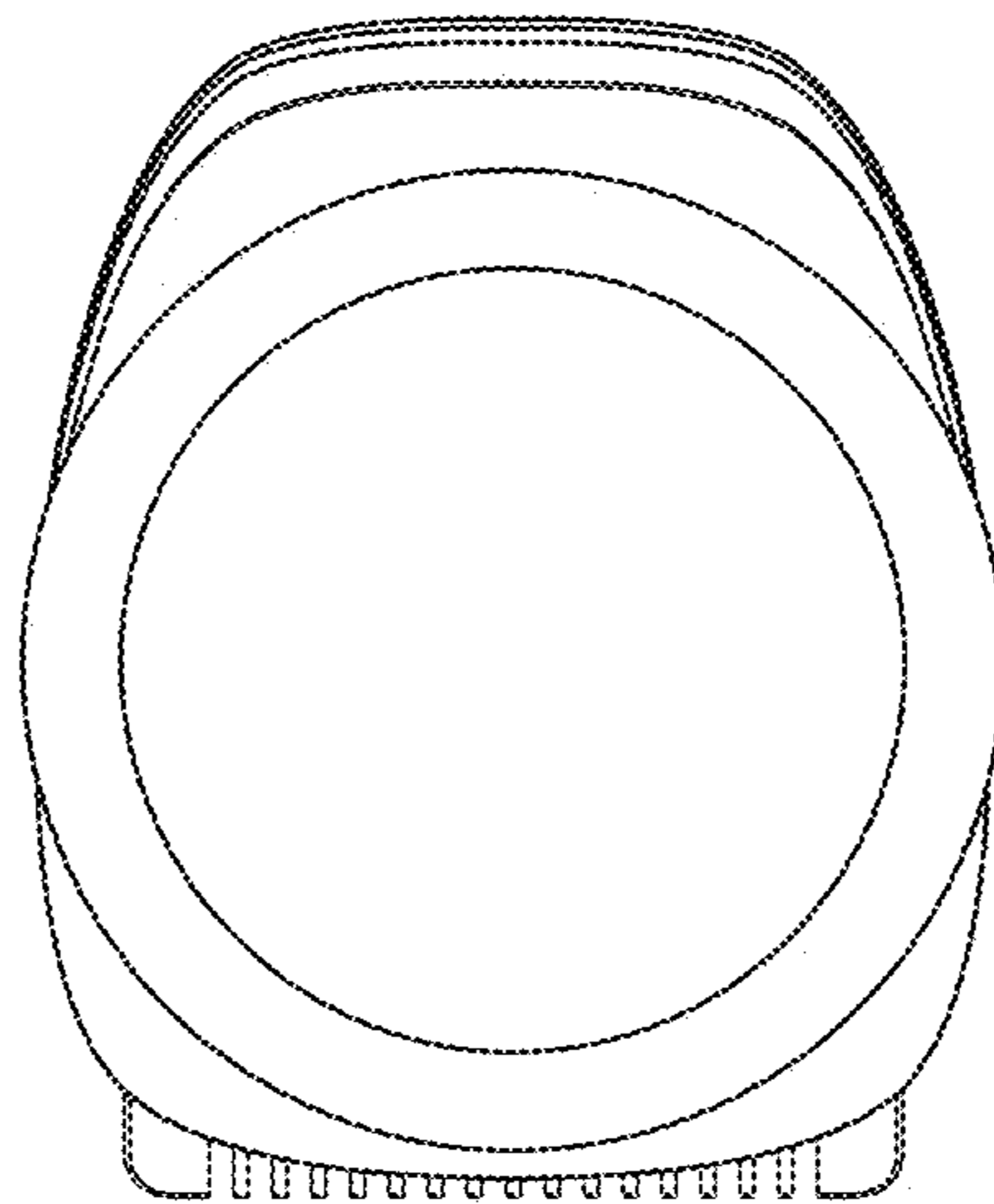


FIG. 28