



US00D957059S

(12) **United States Design Patent** (10) **Patent No.:** **US D957,059 S**  
**Meng et al.** (45) **Date of Patent:** **\*\* Jul. 5, 2022**

(54) **HAIR CLIPPER**

(74) *Attorney, Agent, or Firm* — Cantor Colburn LLP

(71) Applicant: **SHENZHEN SOOCAS TECHNOLOGY CO., LTD.**, Shenzhen (CN)

(57) **CLAIM**

The ornamental design for a hair clipper, as shown and described.

(72) Inventors: **Fandi Meng**, Shenzhen (CN); **Guanglu Feng**, Shenzhen (CN)

**DESCRIPTION**

(73) Assignee: **SHENZHEN SOOCAS TECHNOLOGY CO., LTD.**, Shenzhen (CN)

FIG. 1 is an assembled perspective view of a hair clipper; FIG. 2 is a front view thereof; FIG. 3 is a rear view thereof; FIG. 4 is a left side view thereof; FIG. 5 is a right side view thereof; FIG. 6 is a top view thereof; and FIG. 7 is a bottom view thereof; FIG. 8 is perspective view of a base of the hair clipper; FIG. 9 is a front view thereof; FIG. 10 is a rear view thereof; FIG. 11 is a left side view thereof; FIG. 12 is a right side view thereof; FIG. 13 is a top view thereof; and FIG. 14 is a bottom view thereof; FIG. 15 is a perspective view of a head of the hair clipper; FIG. 16 is a front view thereof; FIG. 17 is a rear view thereof; FIG. 18 is a left side view thereof; FIG. 19 is a right side view thereof; FIG. 20 is a top view thereof; and FIG. 21 is a bottom view thereof; FIG. 22 is a partial enlarged view taken from FIG. 8; FIG. 23 is a partial enlarged view taken from FIG. 9; FIG. 24 is a partial enlarged view taken from FIG. 10; FIG. 25 is a partial enlarged view taken from FIG. 11; FIG. 26 is a partial enlarged view taken from FIG. 13; FIG. 27 is a partial enlarged view taken from FIG. 15; FIG. 28 is a partial enlarged view taken from FIG. 17; and, FIG. 29 is a partial enlarged view taken from FIG. 20.

(\*\*) Term: **15 Years**

(21) Appl. No.: **29/721,923**

(22) Filed: **Jan. 24, 2020**

(30) **Foreign Application Priority Data**

Jul. 30, 2019 (CN) ..... 201930409163.9

(51) **LOC (13) Cl.** ..... **28-03**

(52) **U.S. Cl.**  
USPC ..... **D28/53**

(58) **Field of Classification Search**  
USPC ..... D28/49–54  
CPC ..... B26B 19/3886; B26B 19/00–048; B26B 19/28; B26B 19/205; B26B 19/10–107; B26B 19/38; B26B 19/3806–388  
See application file for complete search history.

(56) **References Cited**

**U.S. PATENT DOCUMENTS**

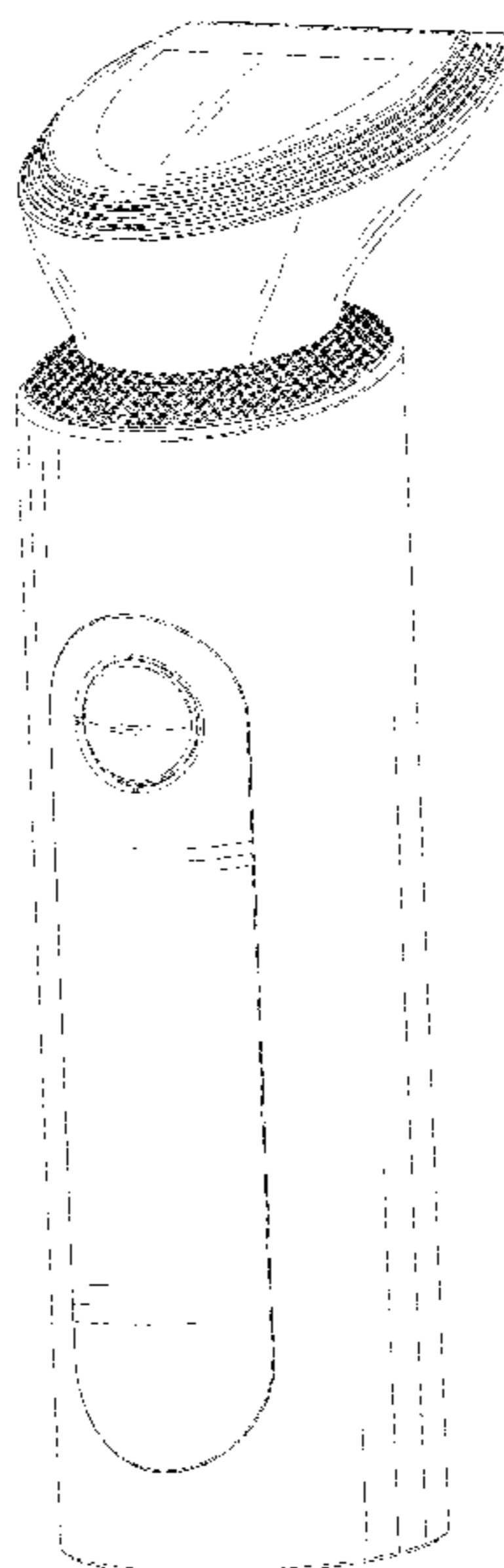
D675,379 S \* 1/2013 Yoon ..... D28/54  
D675,380 S \* 1/2013 Yoon ..... D28/54  
D828,957 S \* 9/2018 Rosandick ..... D28/53

(Continued)

The broken lines in the figures depict portions of the hair clipper that form no part of the claimed design. The base and the head of the hair clipper are shown separately for convenience of illustration.

*Primary Examiner* — Jennifer Rivard

**1 Claim, 29 Drawing Sheets**



(56)

**References Cited**

U.S. PATENT DOCUMENTS

D844,242	S	*	3/2019	Yan	.....	D28/50
D858,880	S	*	9/2019	Lu	.....	D28/50
D925,124	S	*	7/2021	Huang	.....	D28/50
D928,405	S	*	8/2021	Huang	.....	D28/53
D933,297	S	*	10/2021	Luo	.....	D28/50
D933,893	S	*	10/2021	Luo	.....	D28/50
D938,651	S	*	12/2021	Meng	.....	D28/50
2008/0282550	A1	*	11/2008	Piwaron	.....	B26B 19/06
						30/210
2021/0060804	A1	*	3/2021	Tran	.....	A61L 2/26
2021/0086376	A1	*	3/2021	Eijkelkamp	.....	B26B 19/386
2021/0086378	A1	*	3/2021	Tellez	.....	A61B 17/00
2021/0129361	A1	*	5/2021	Radford	.....	B26B 19/06

\* cited by examiner

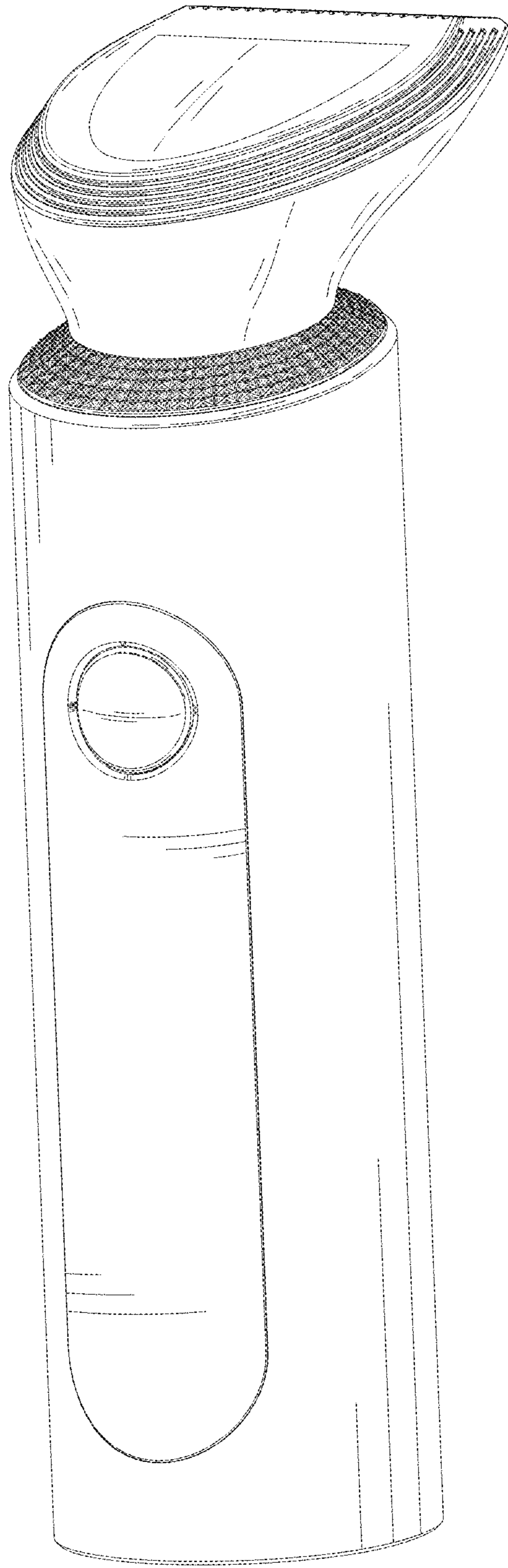


FIG. 1

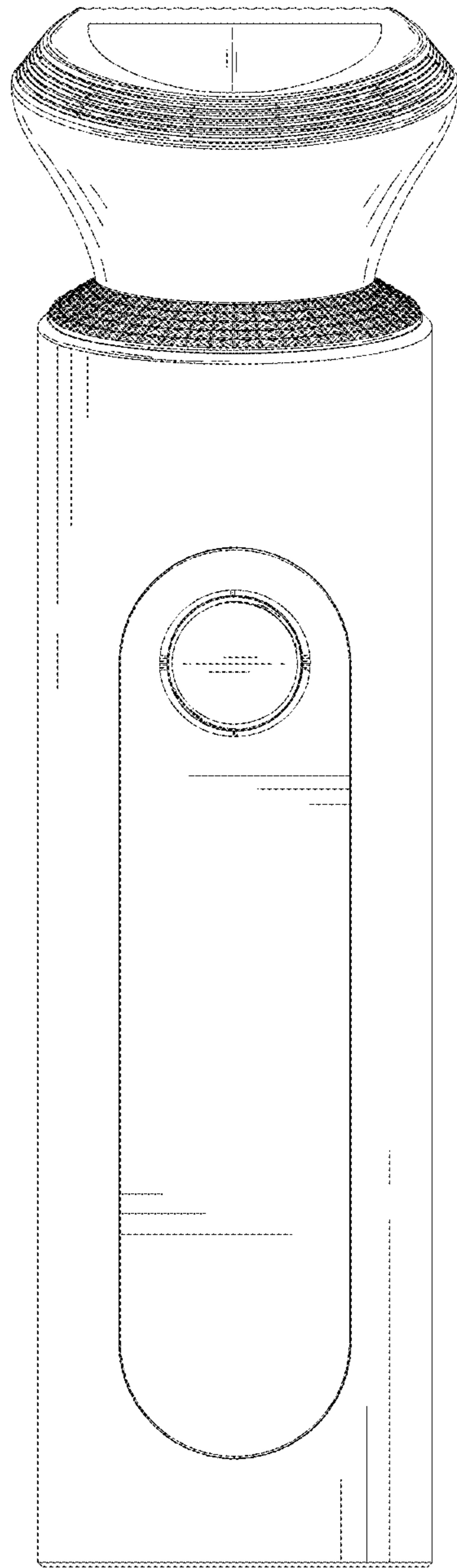


FIG. 2

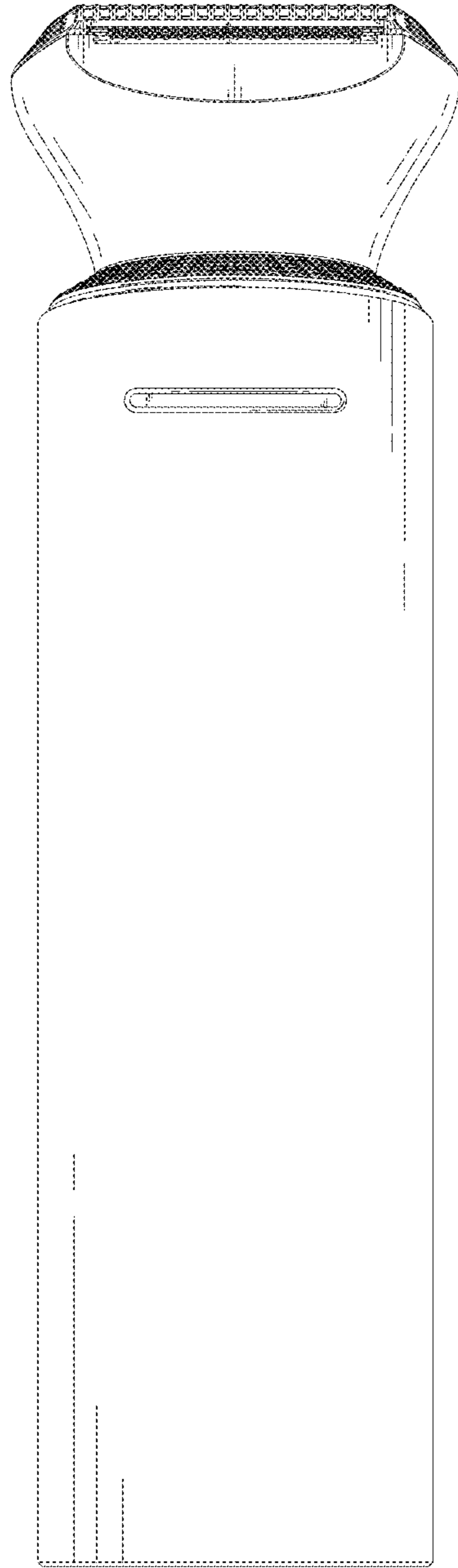


FIG. 3

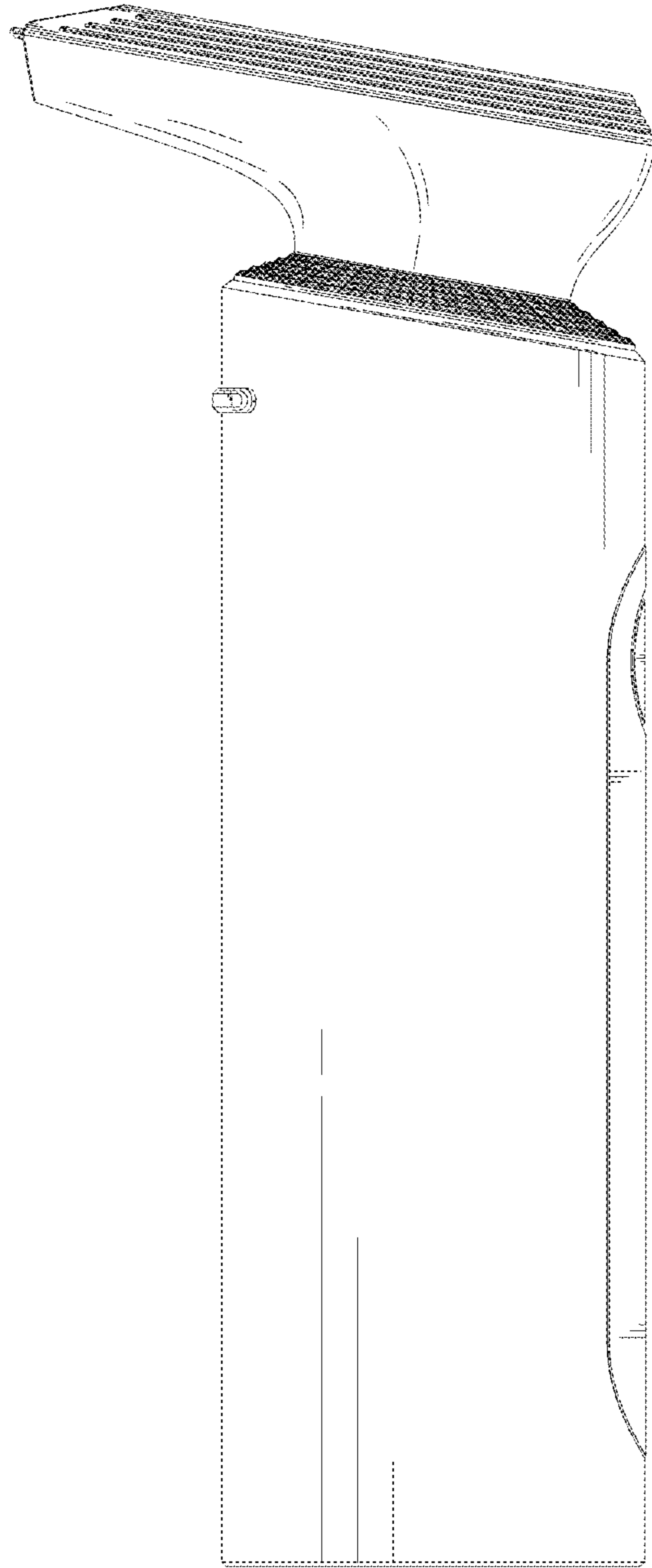


FIG. 4

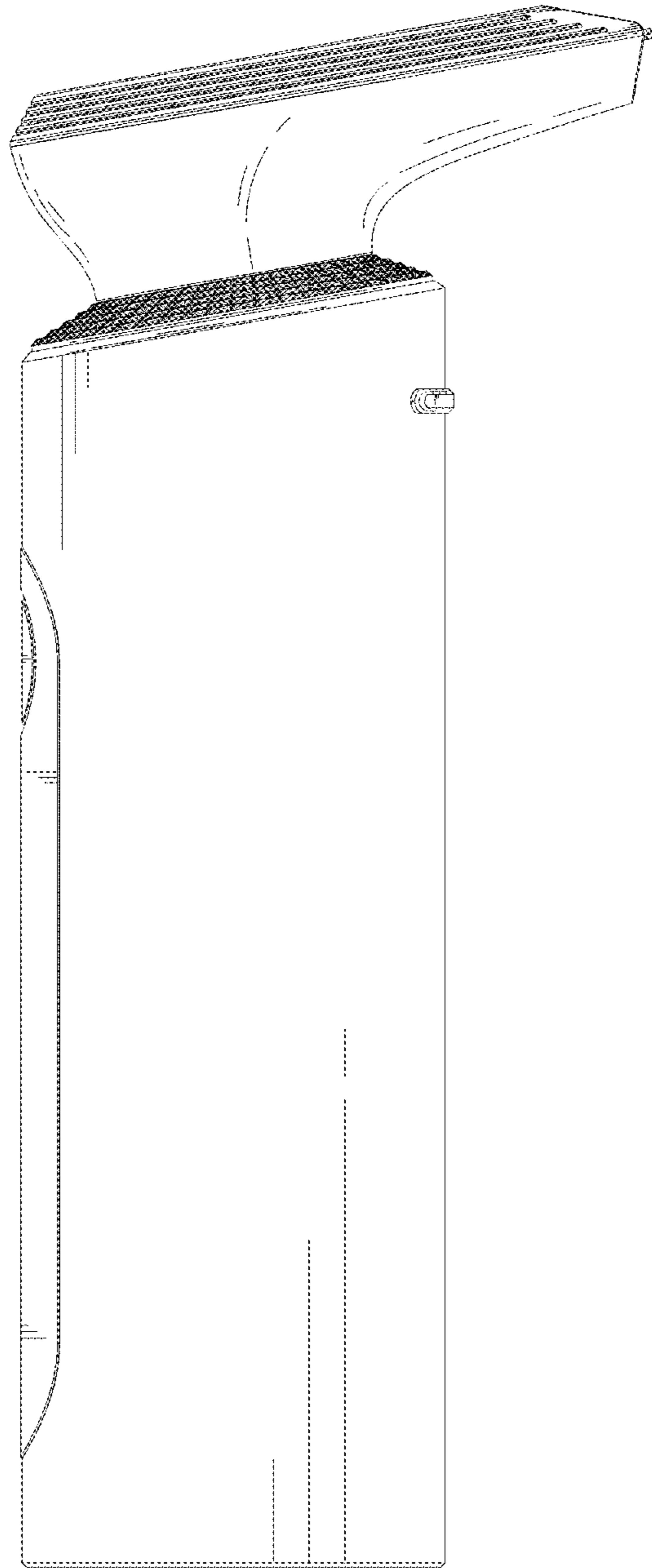


FIG. 5

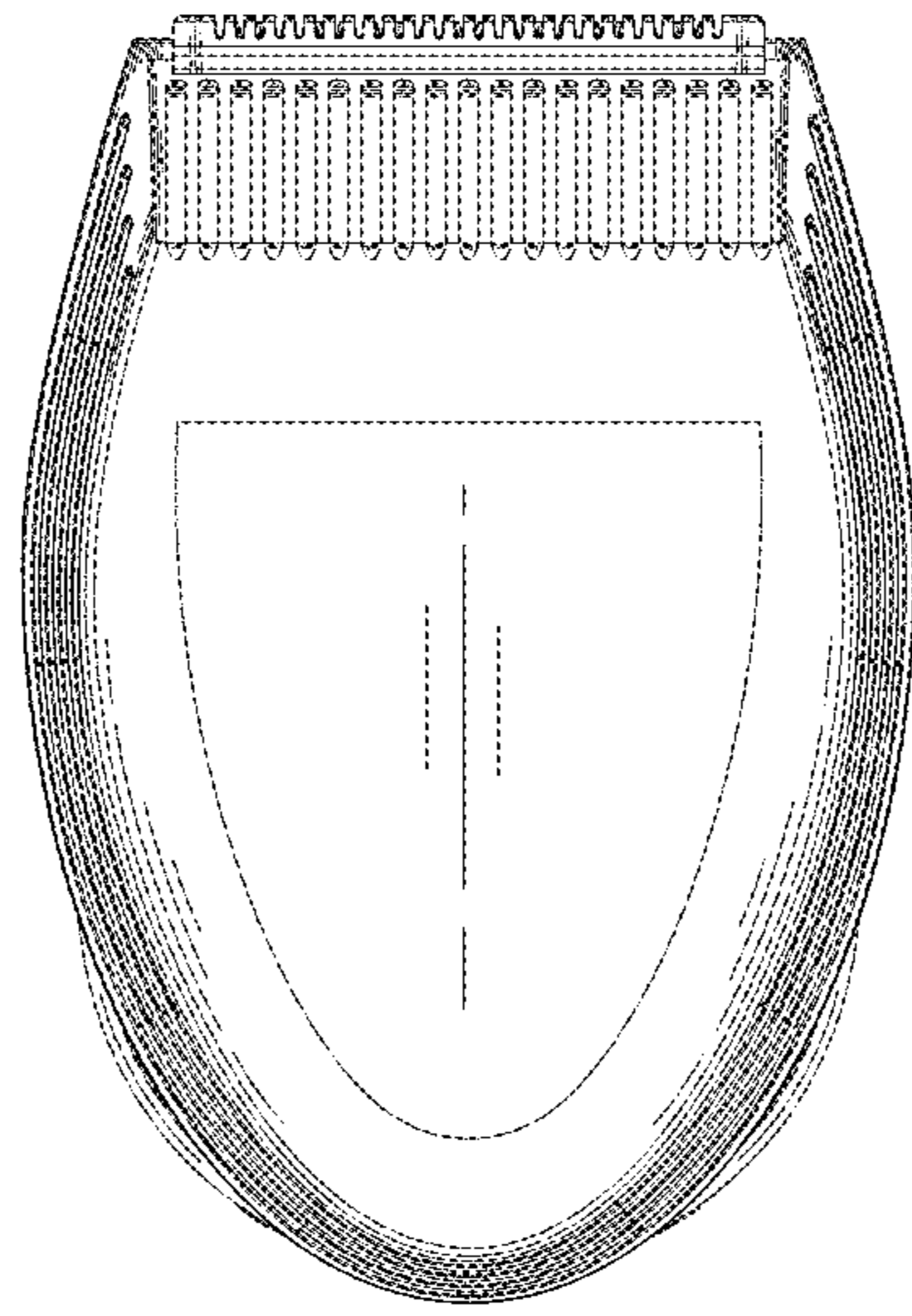


FIG. 6



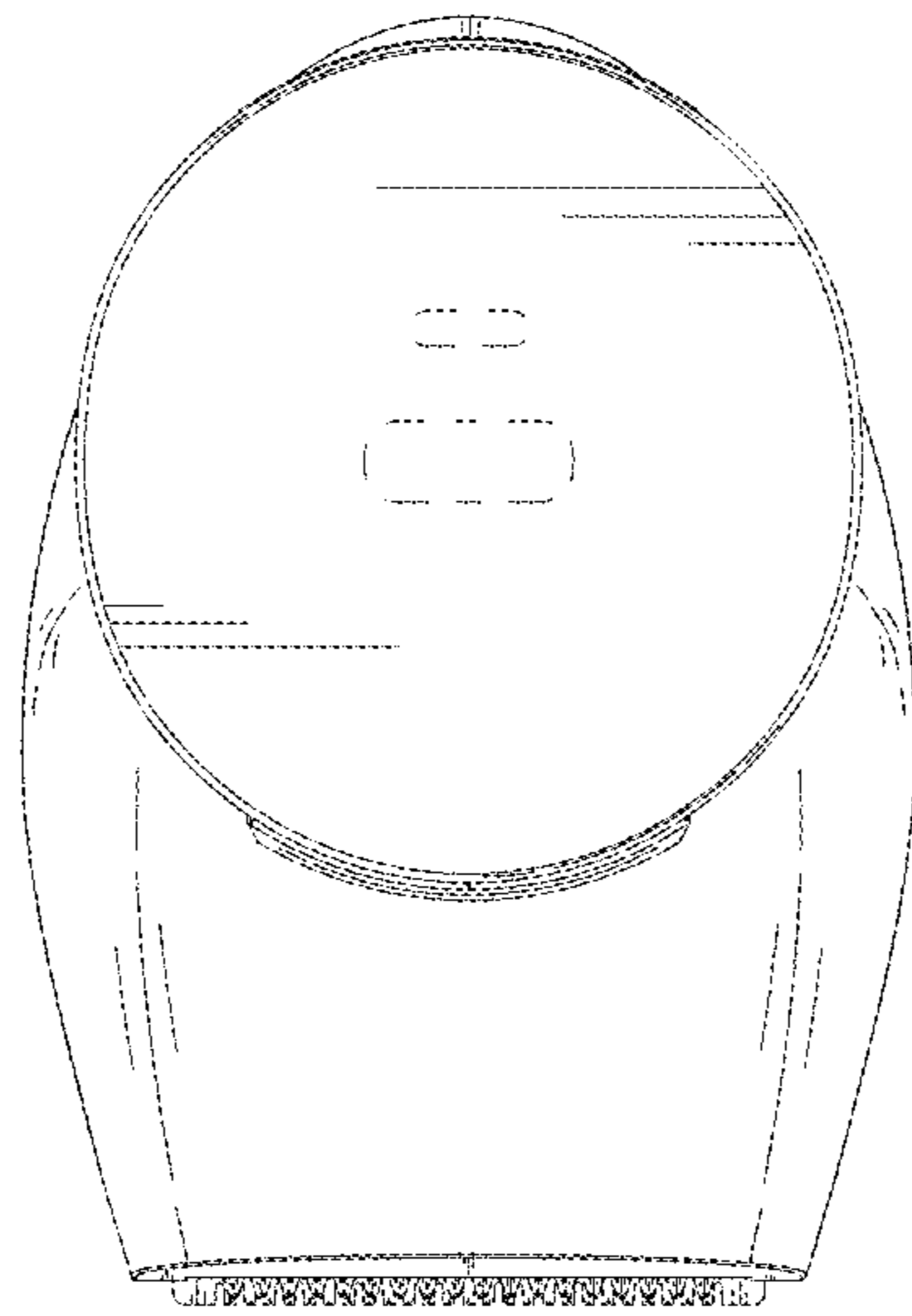


FIG. 7

FIG. 22

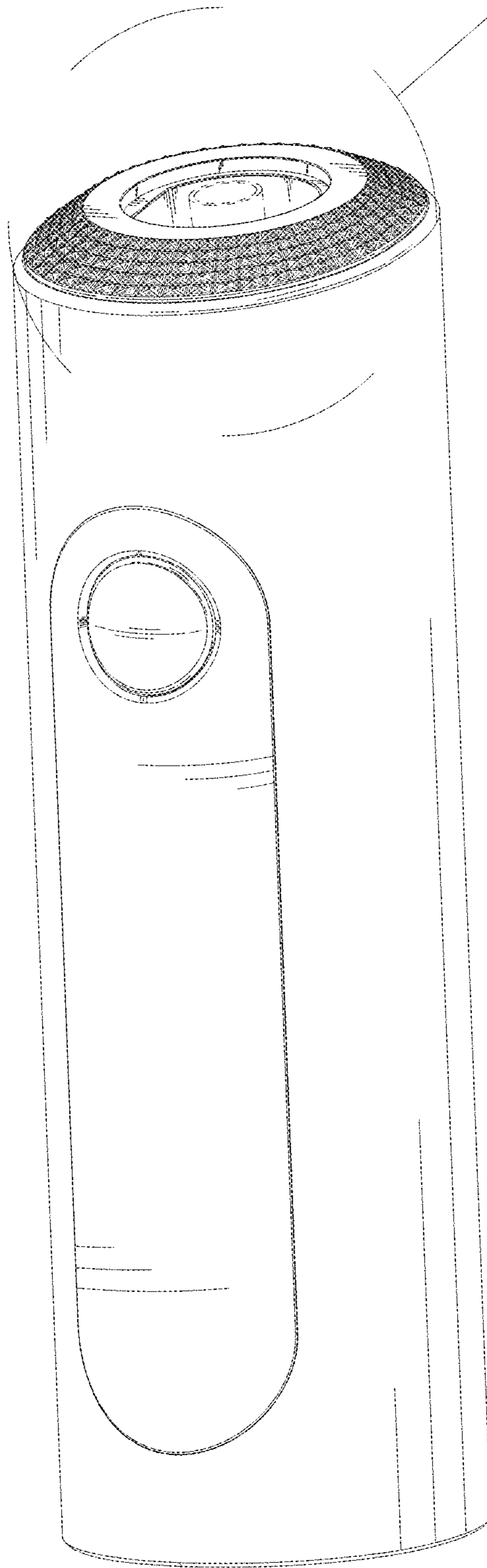


FIG. 8

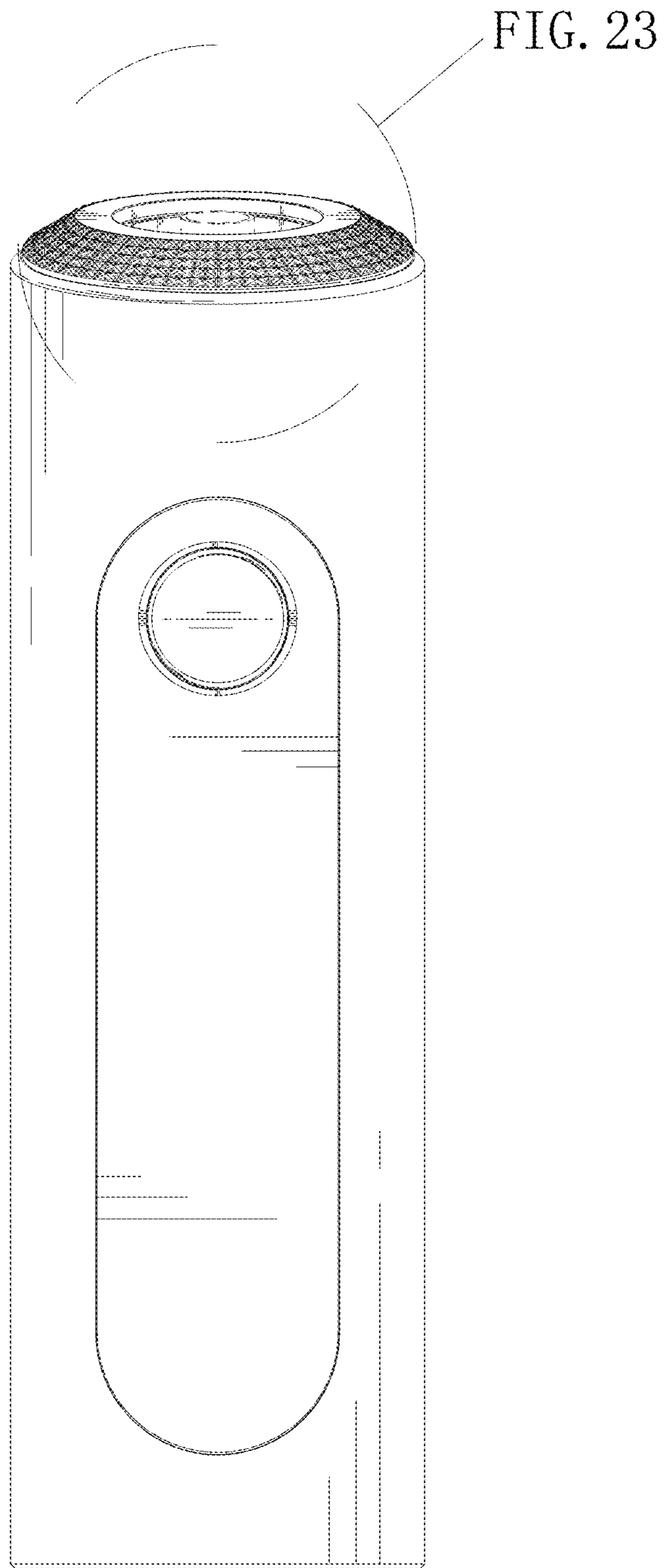


FIG. 9

FIG. 24

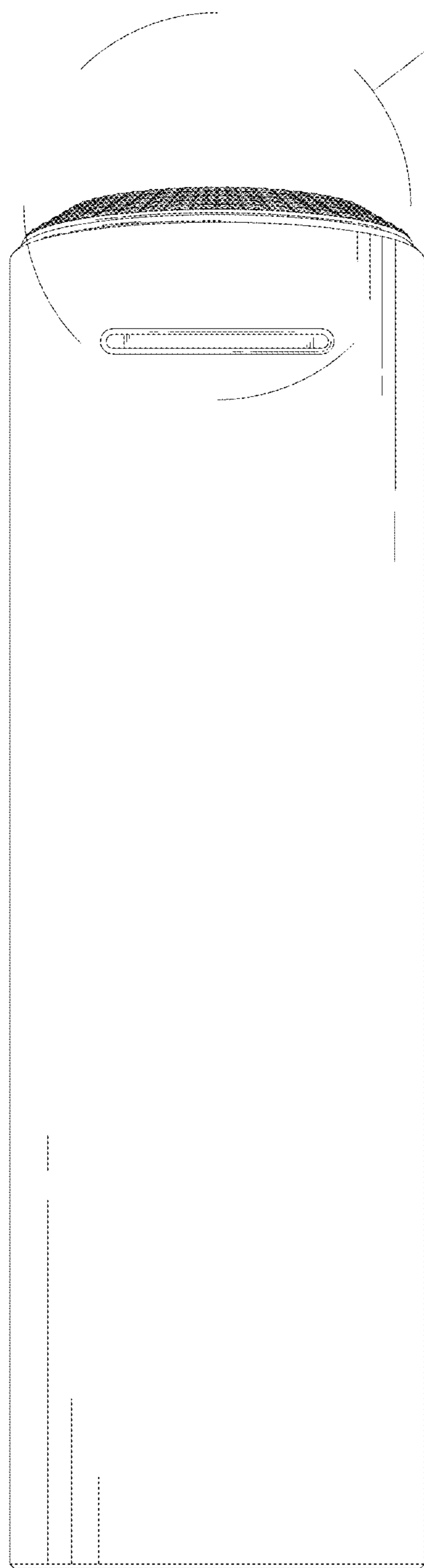
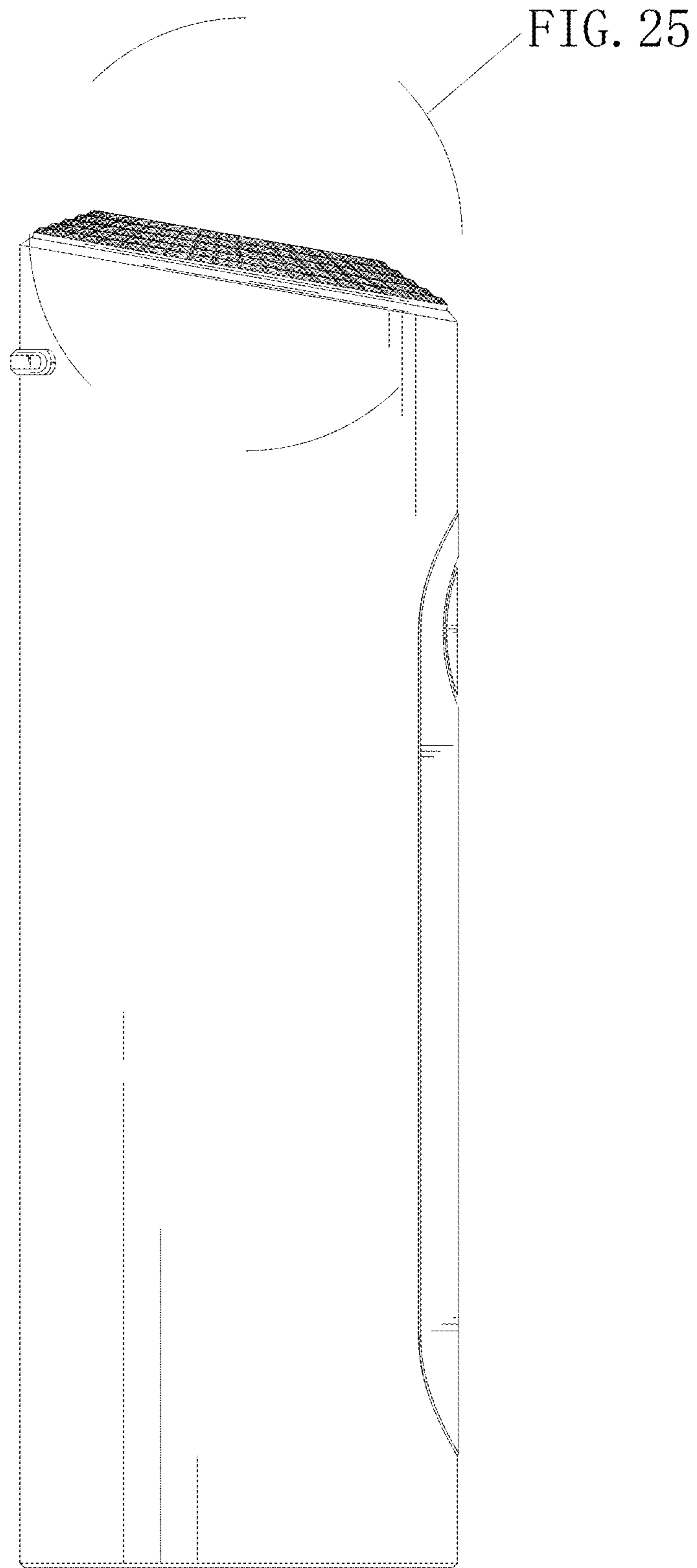


FIG. 10



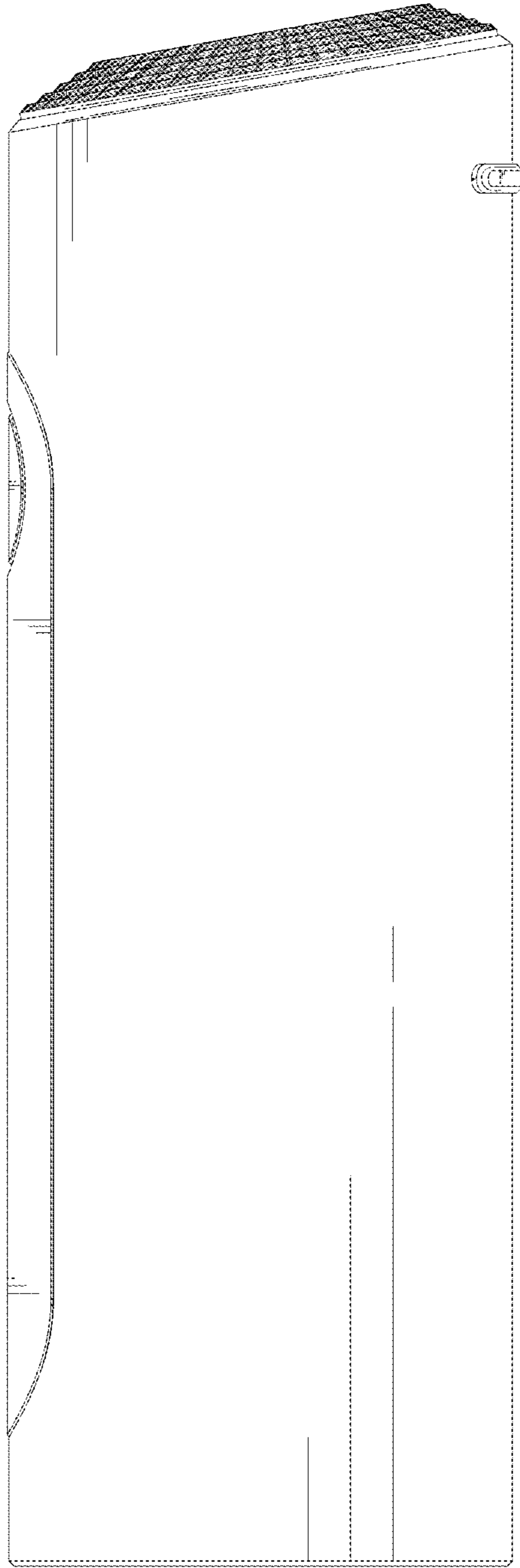


FIG. 12

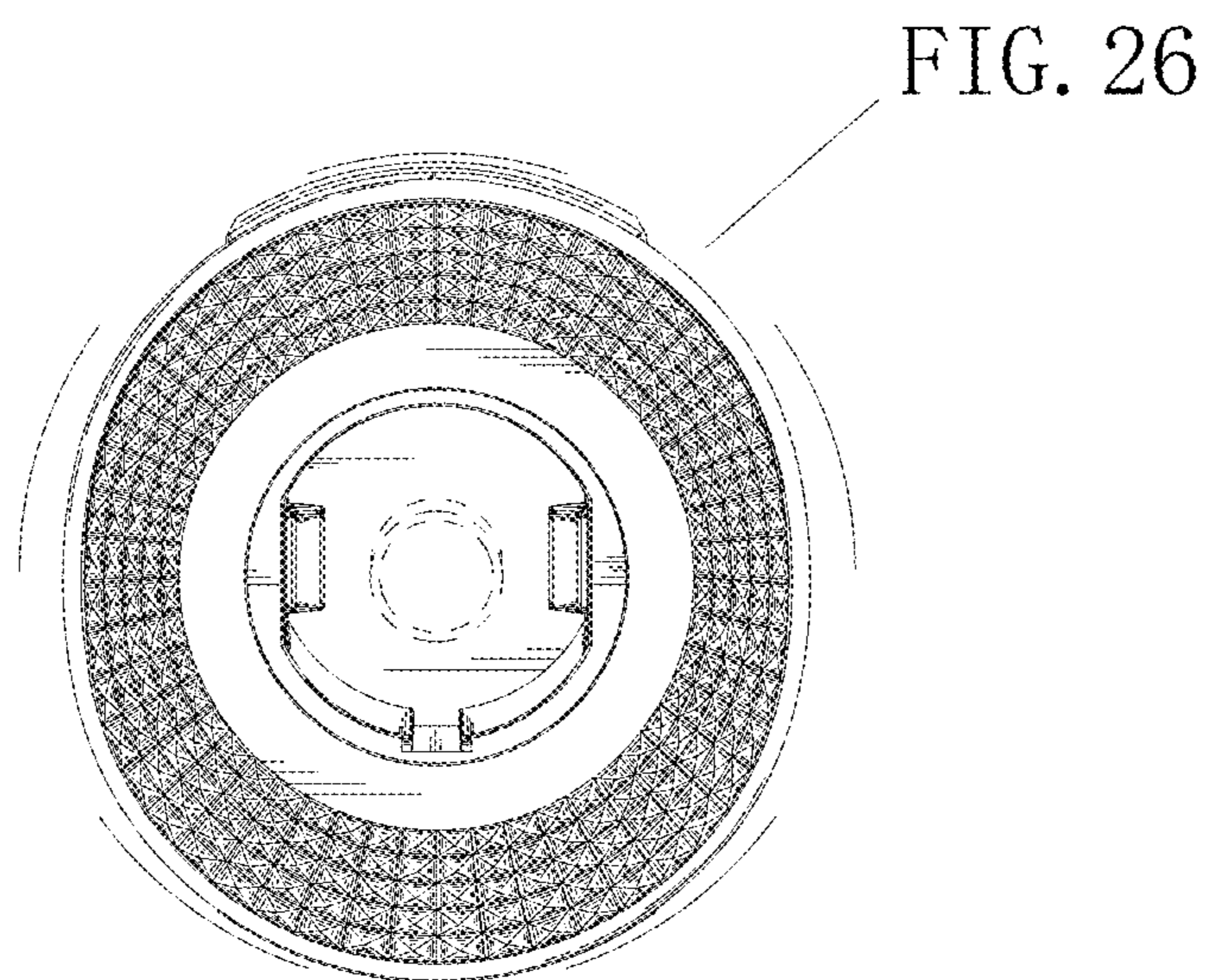


FIG. 13

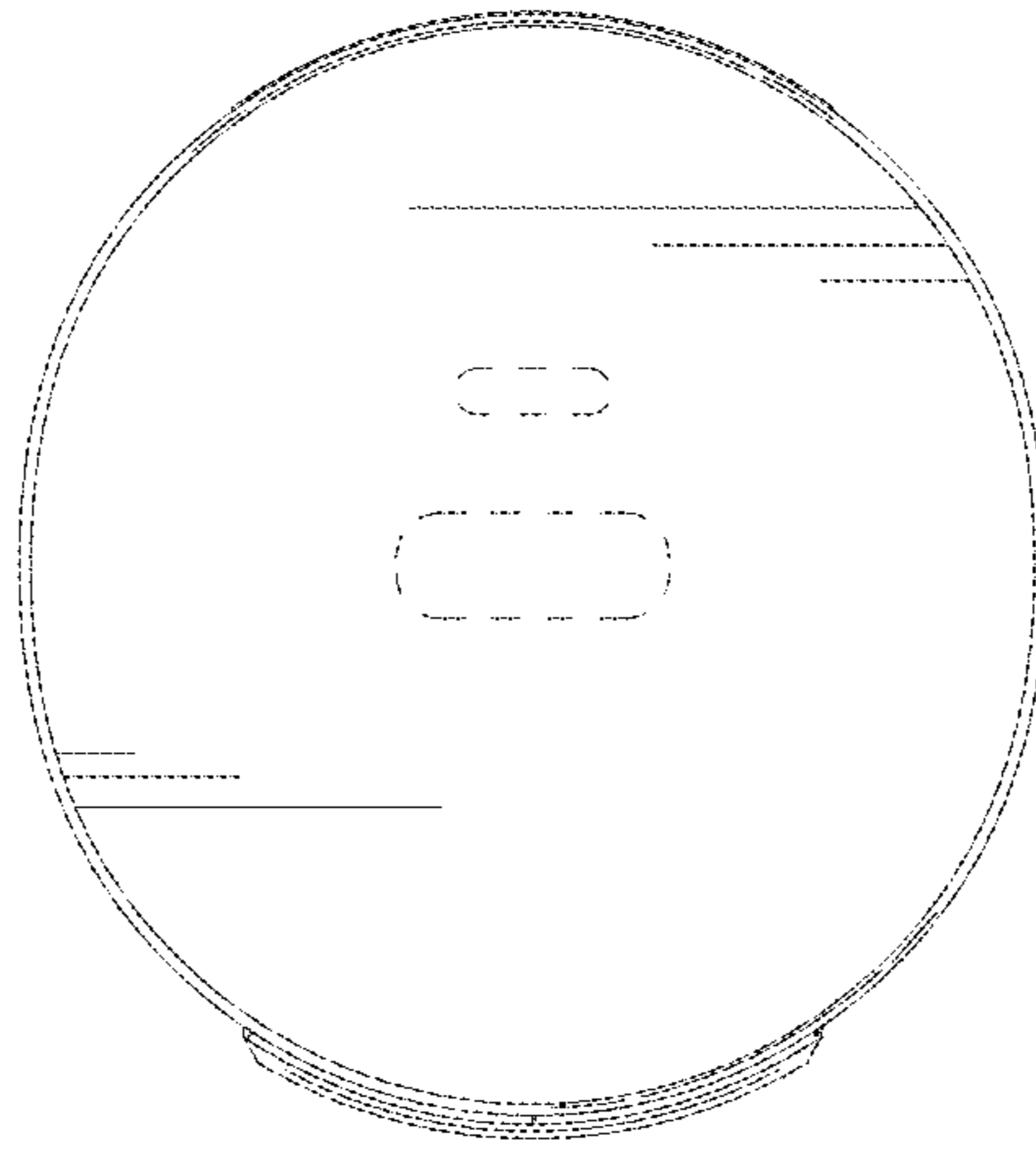


FIG. 14



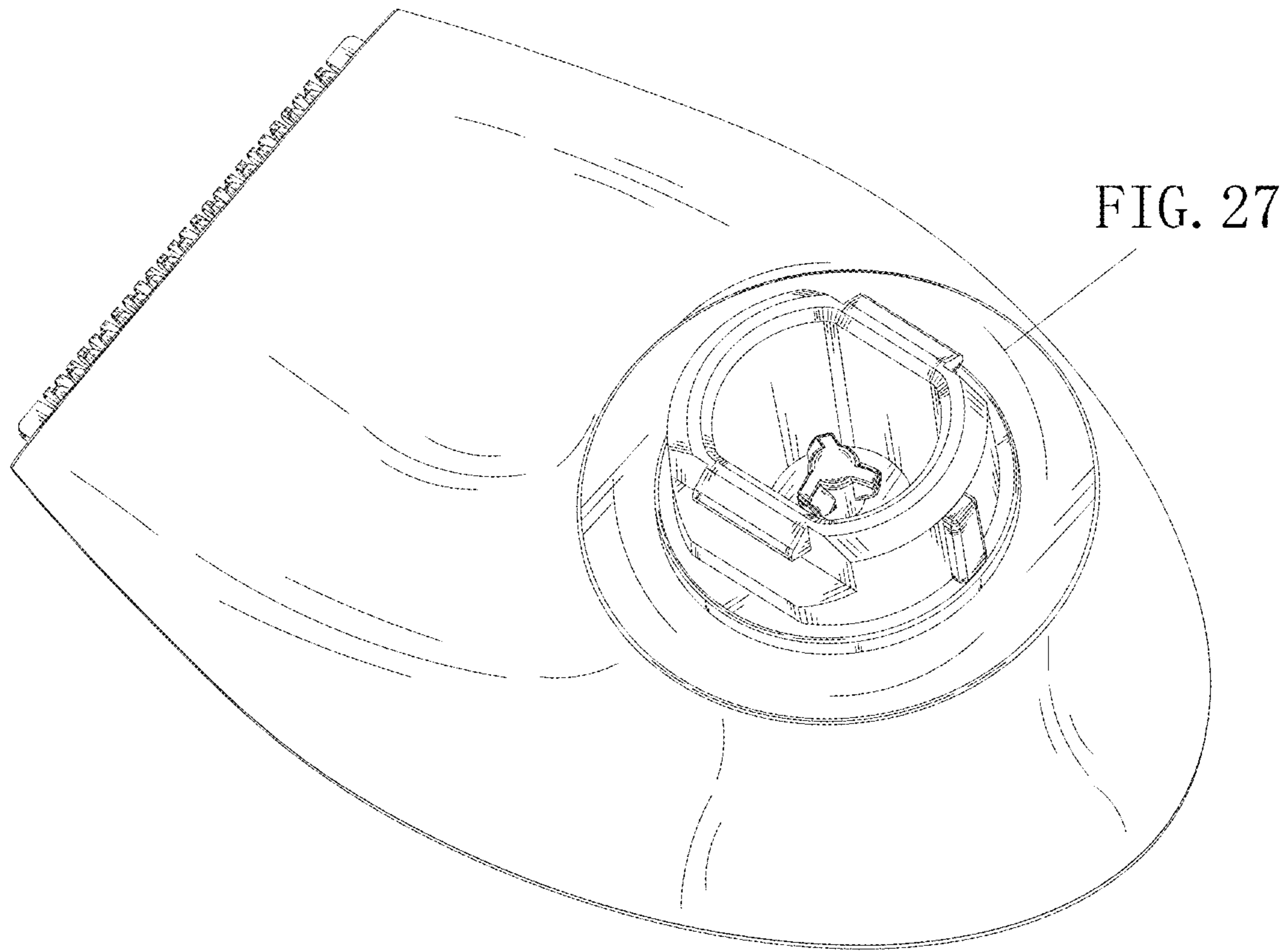


FIG. 15

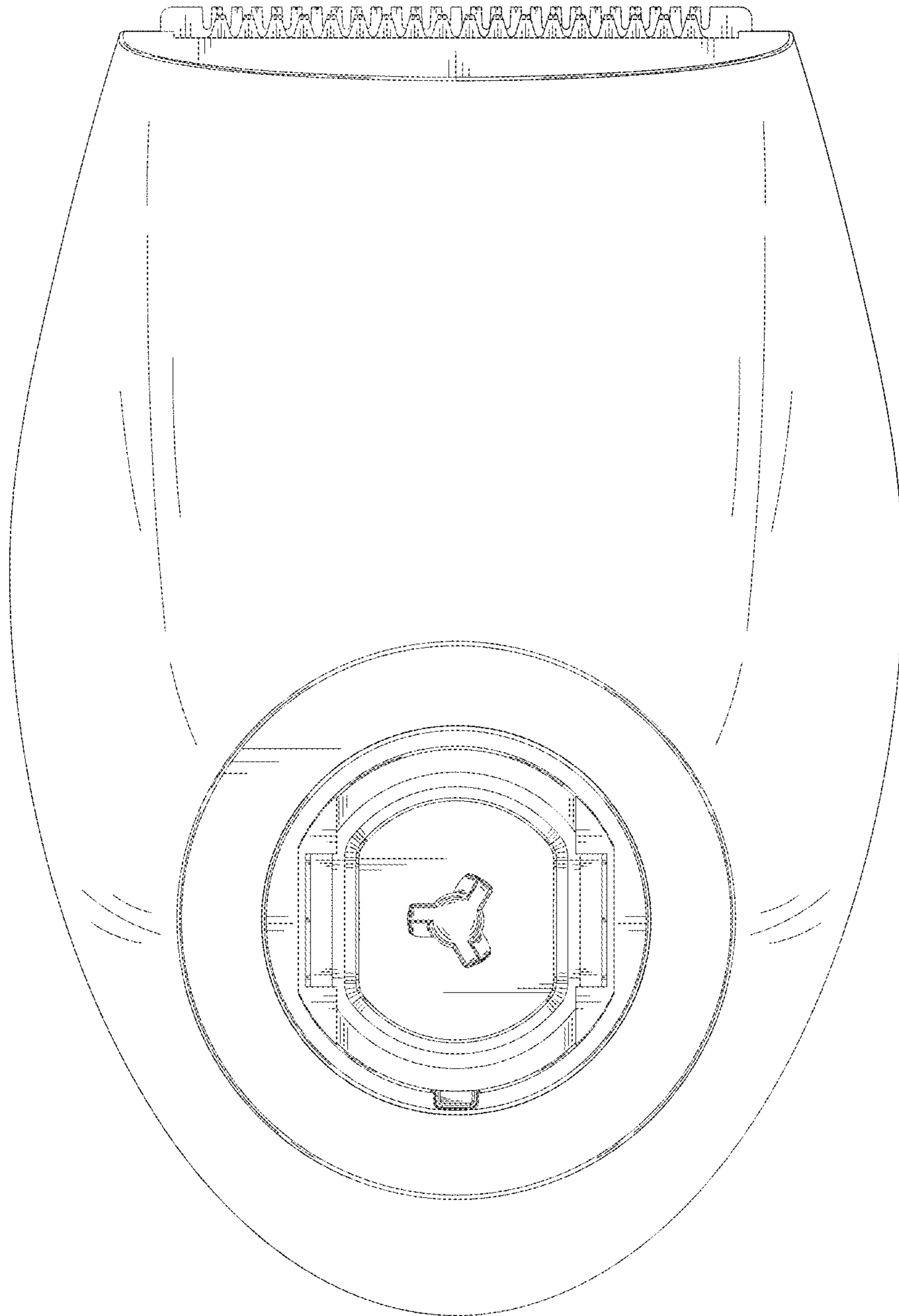


FIG. 16

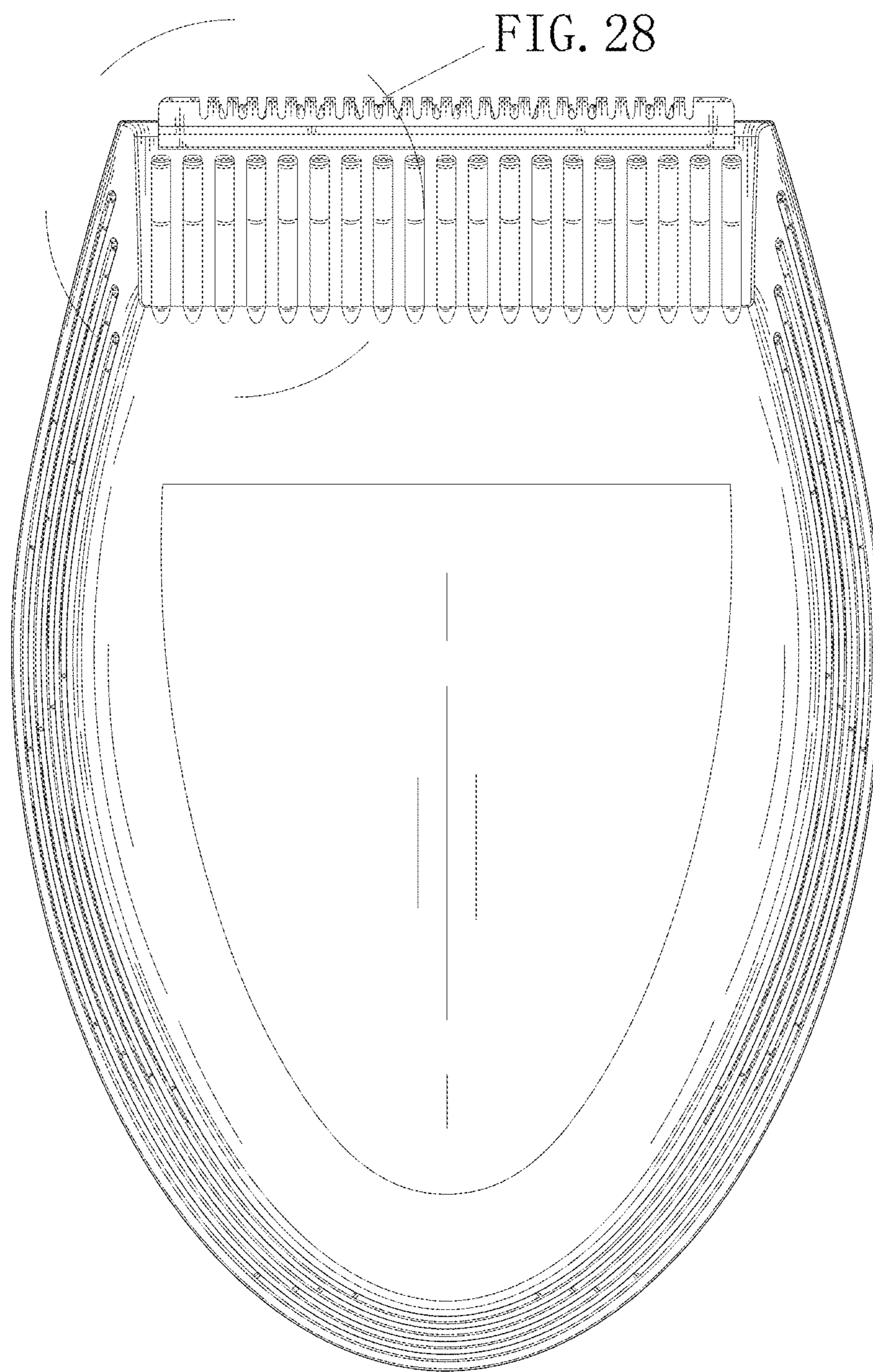


FIG. 17

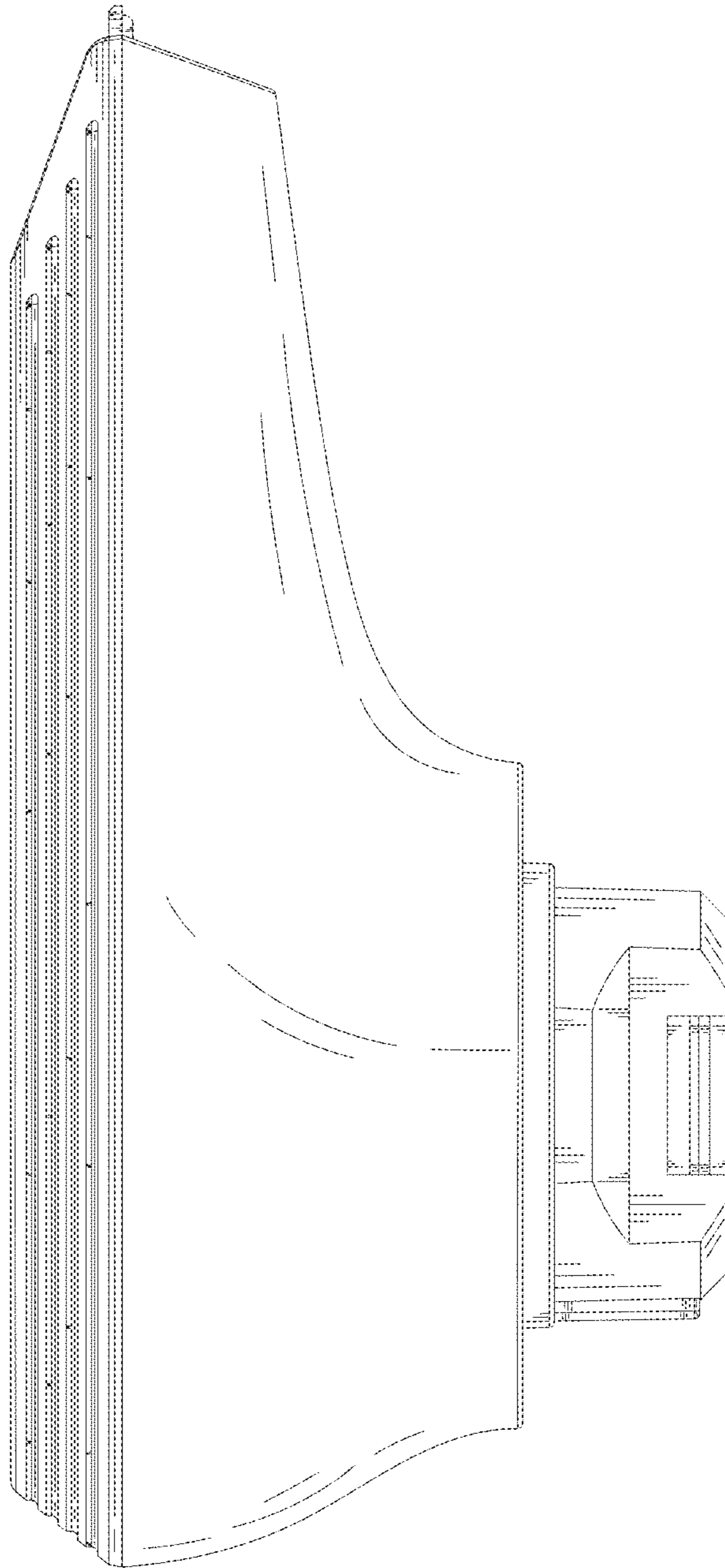


FIG. 18

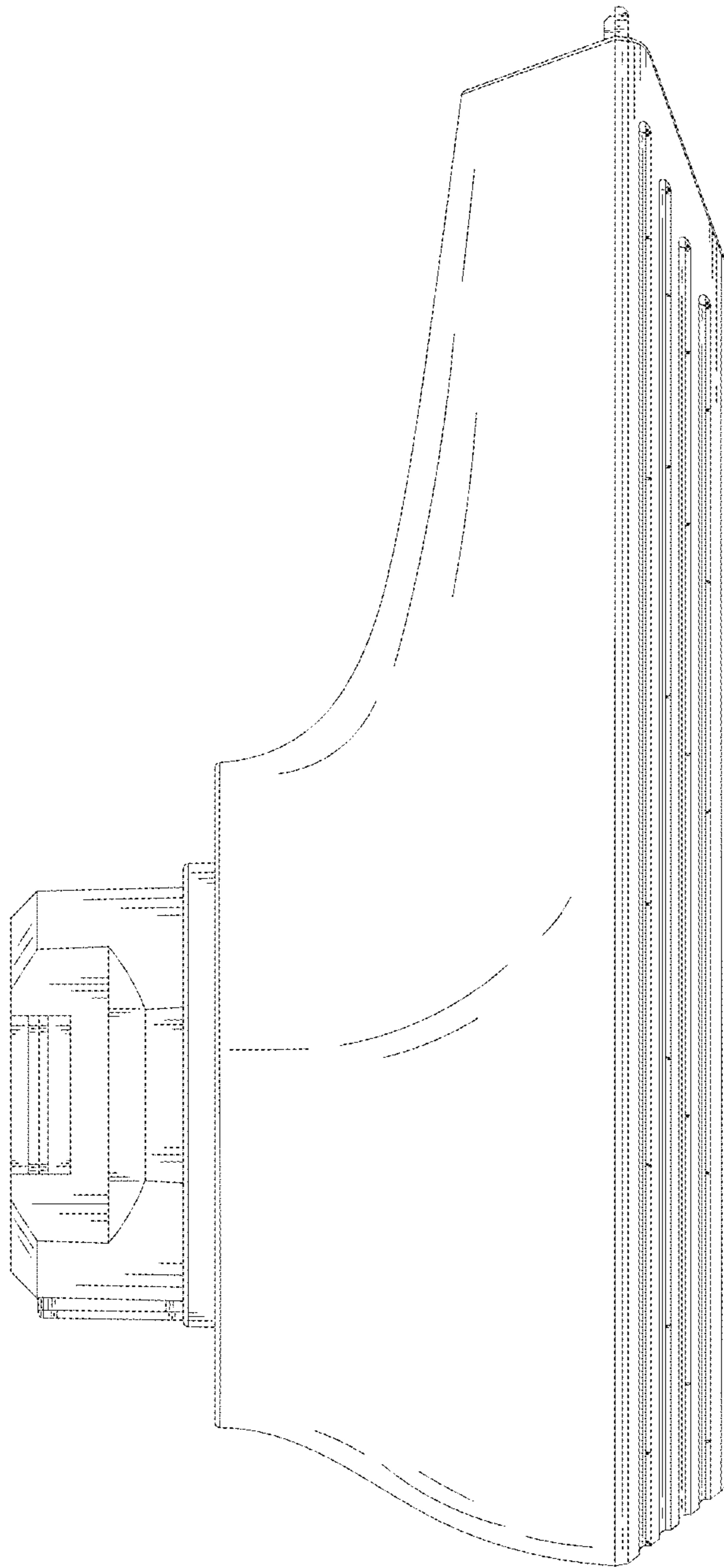


FIG. 19

FIG. 29

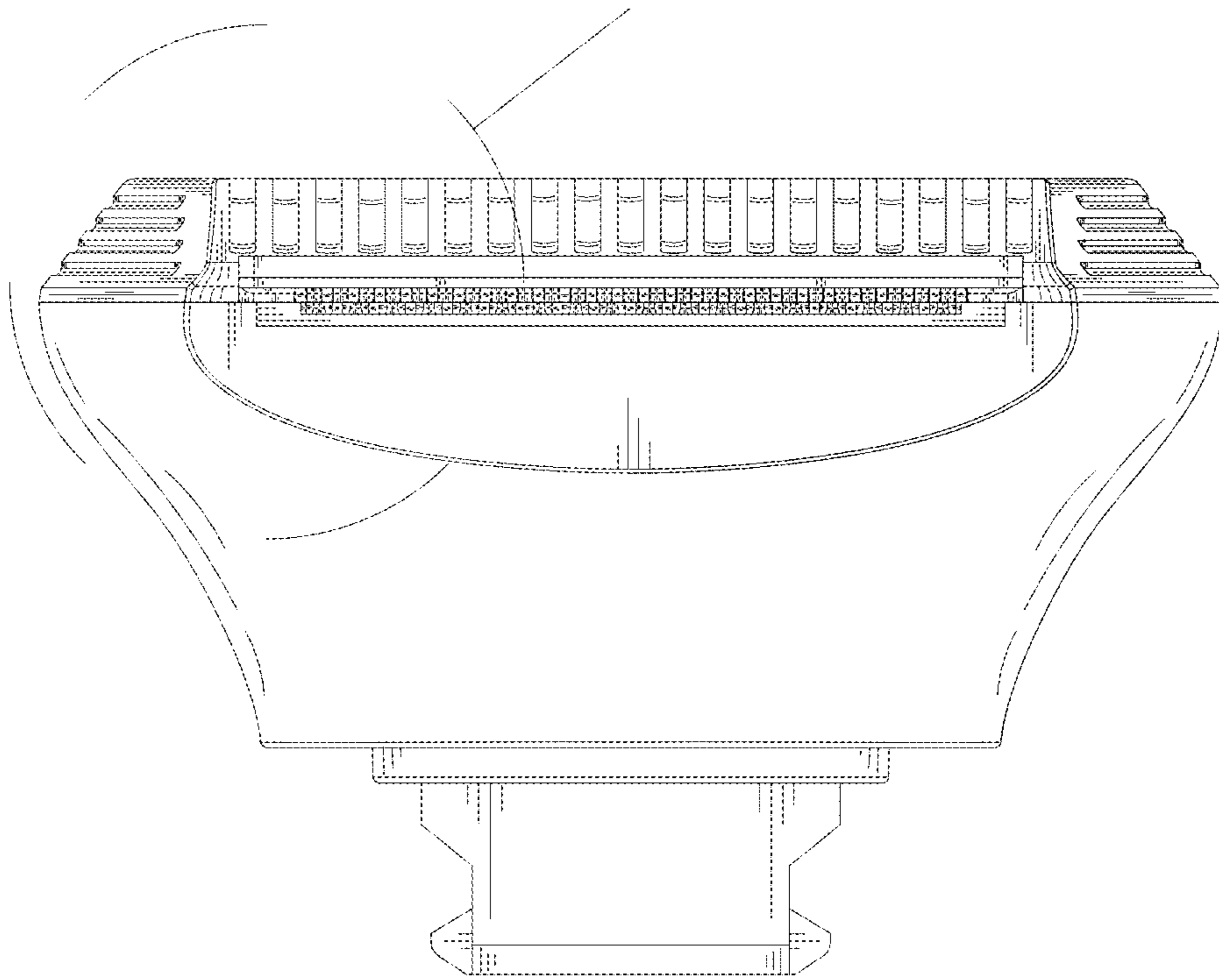


FIG. 20

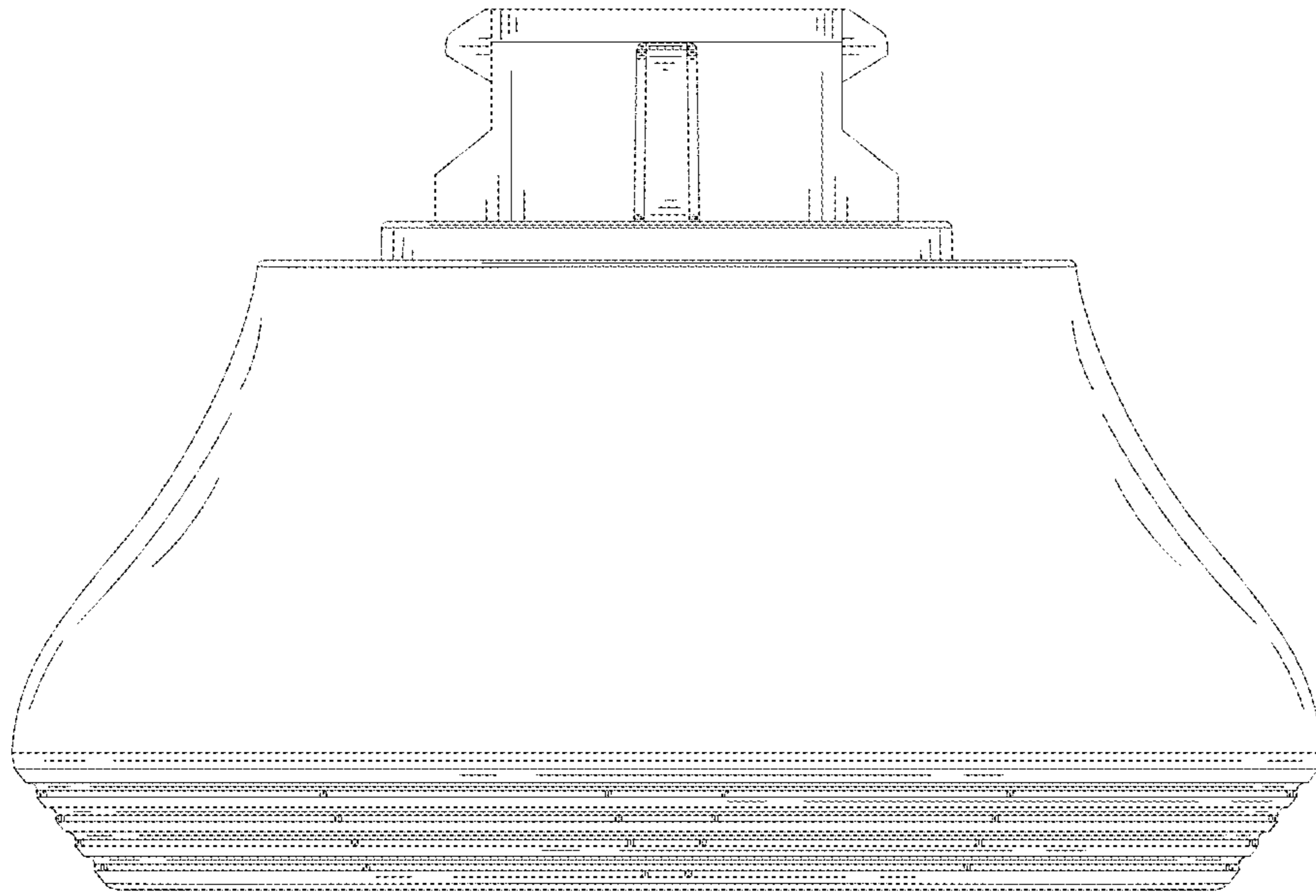


FIG. 21

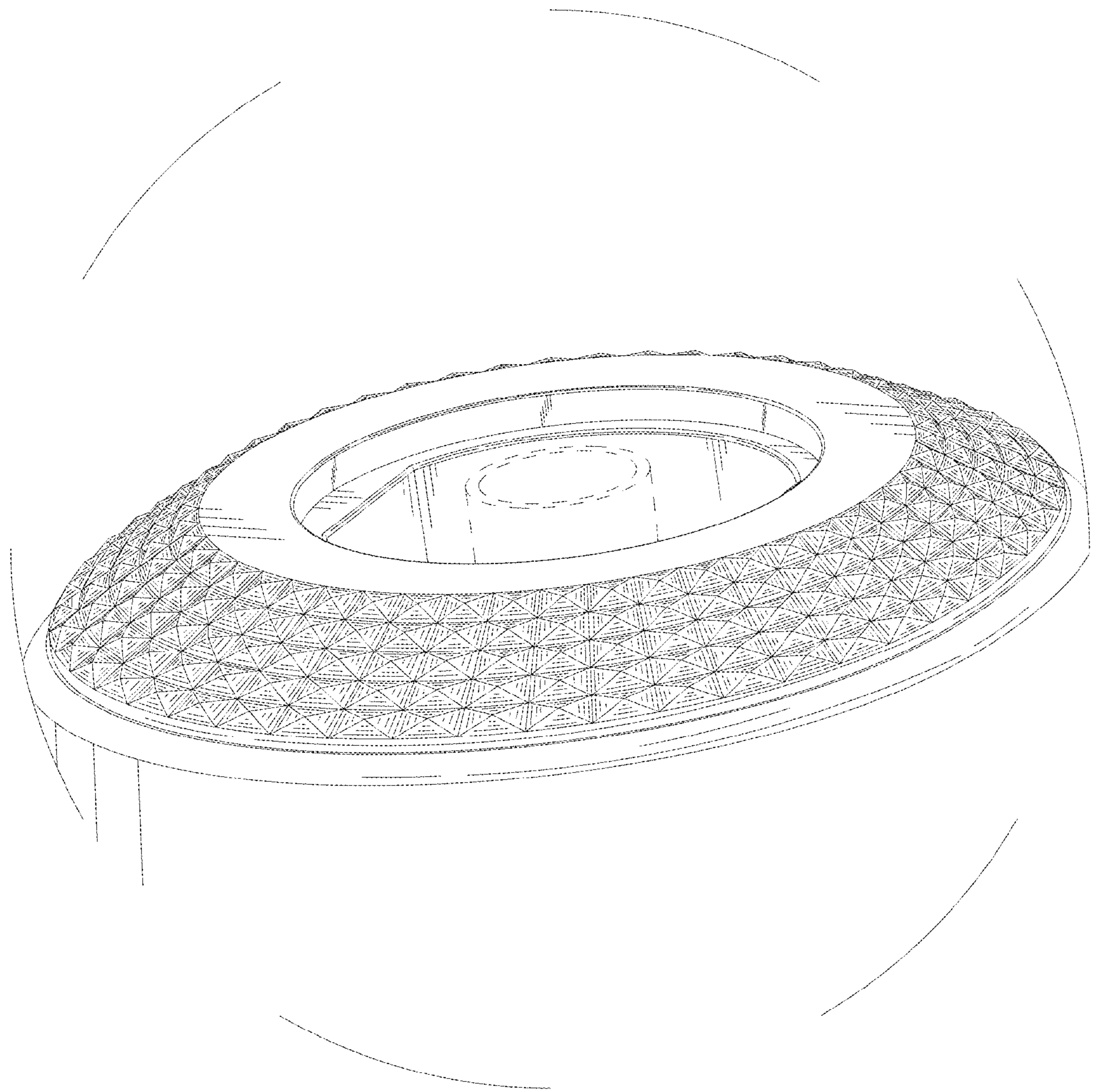


FIG. 22



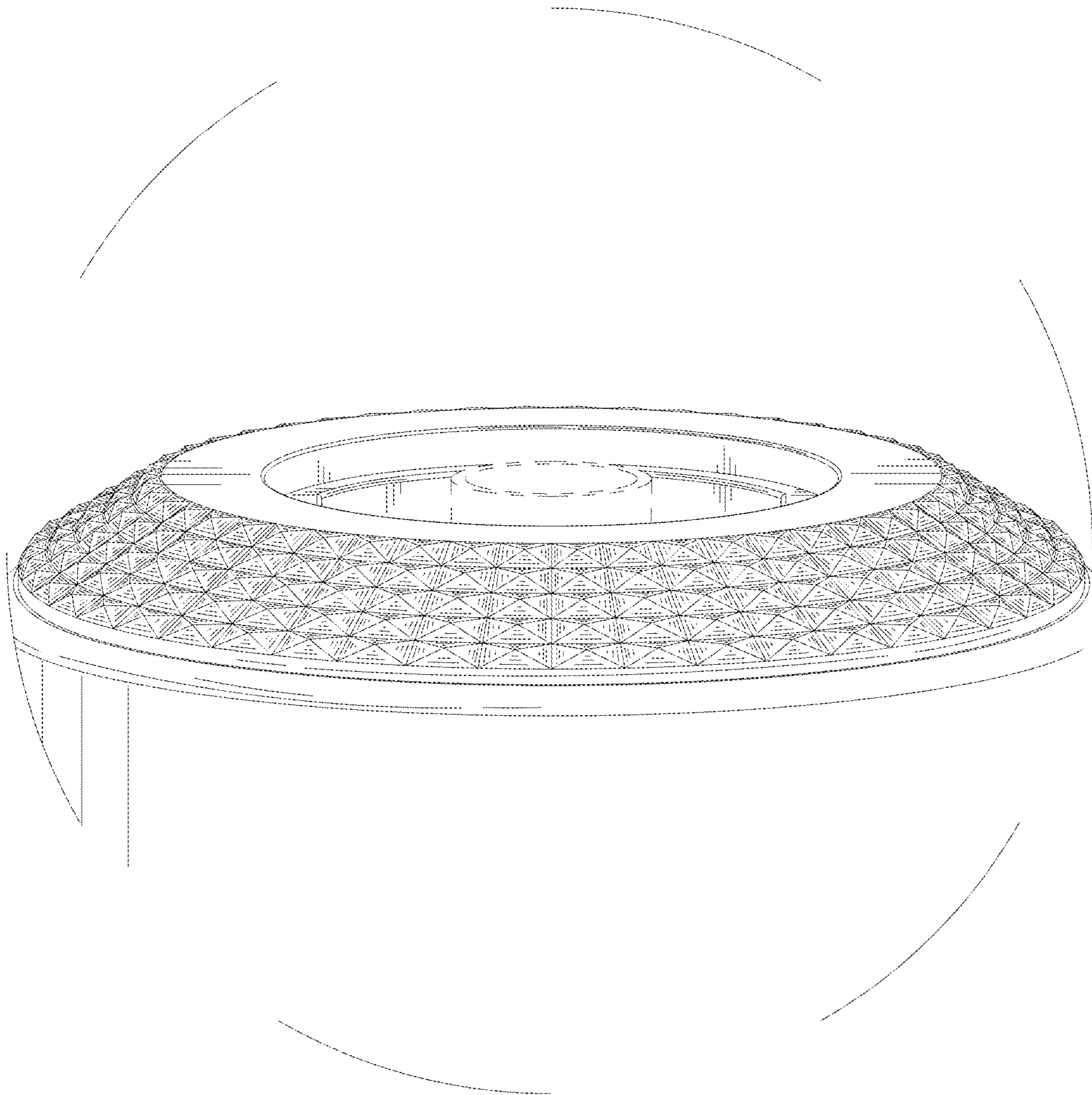


FIG. 23

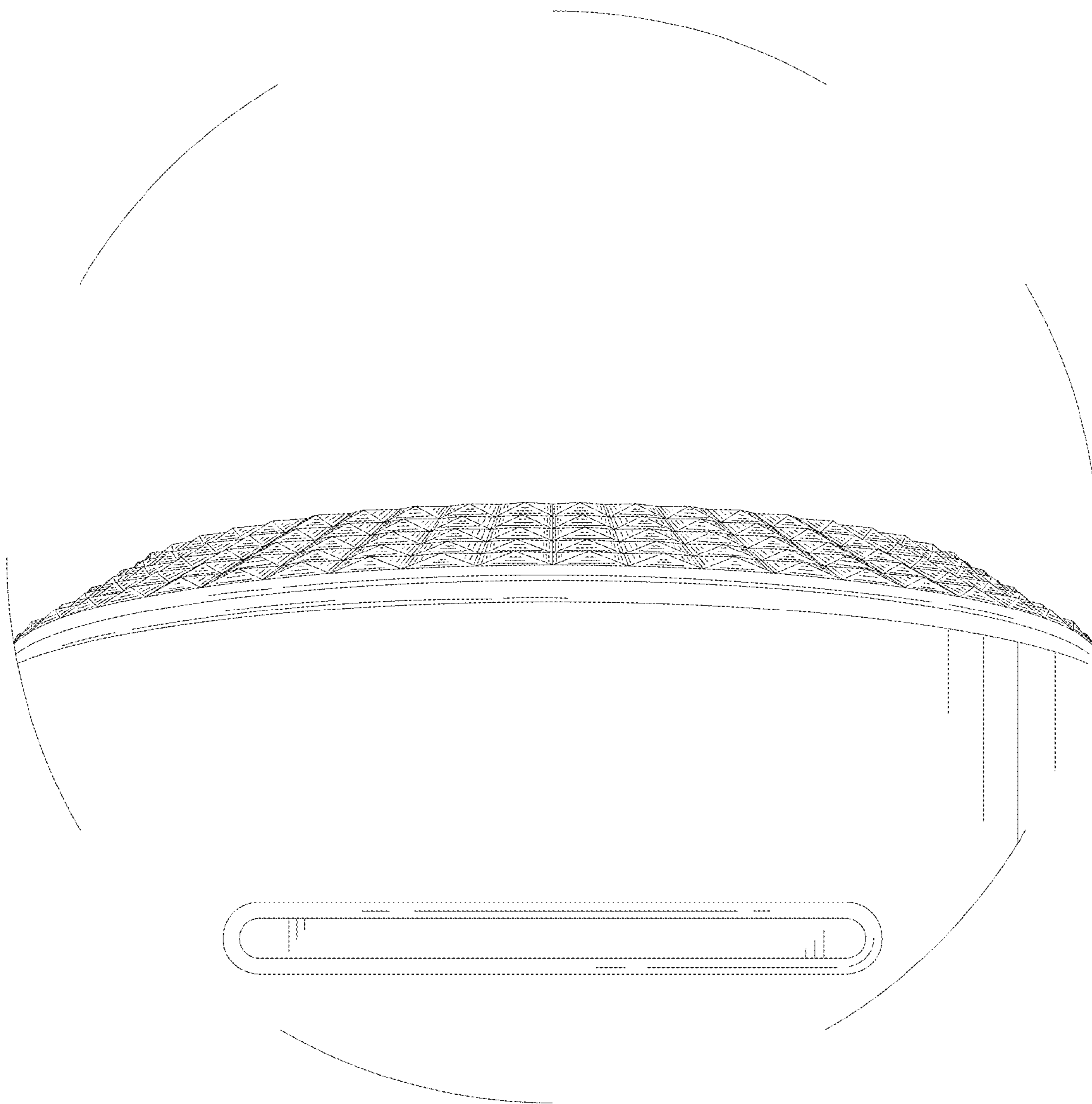


FIG. 24

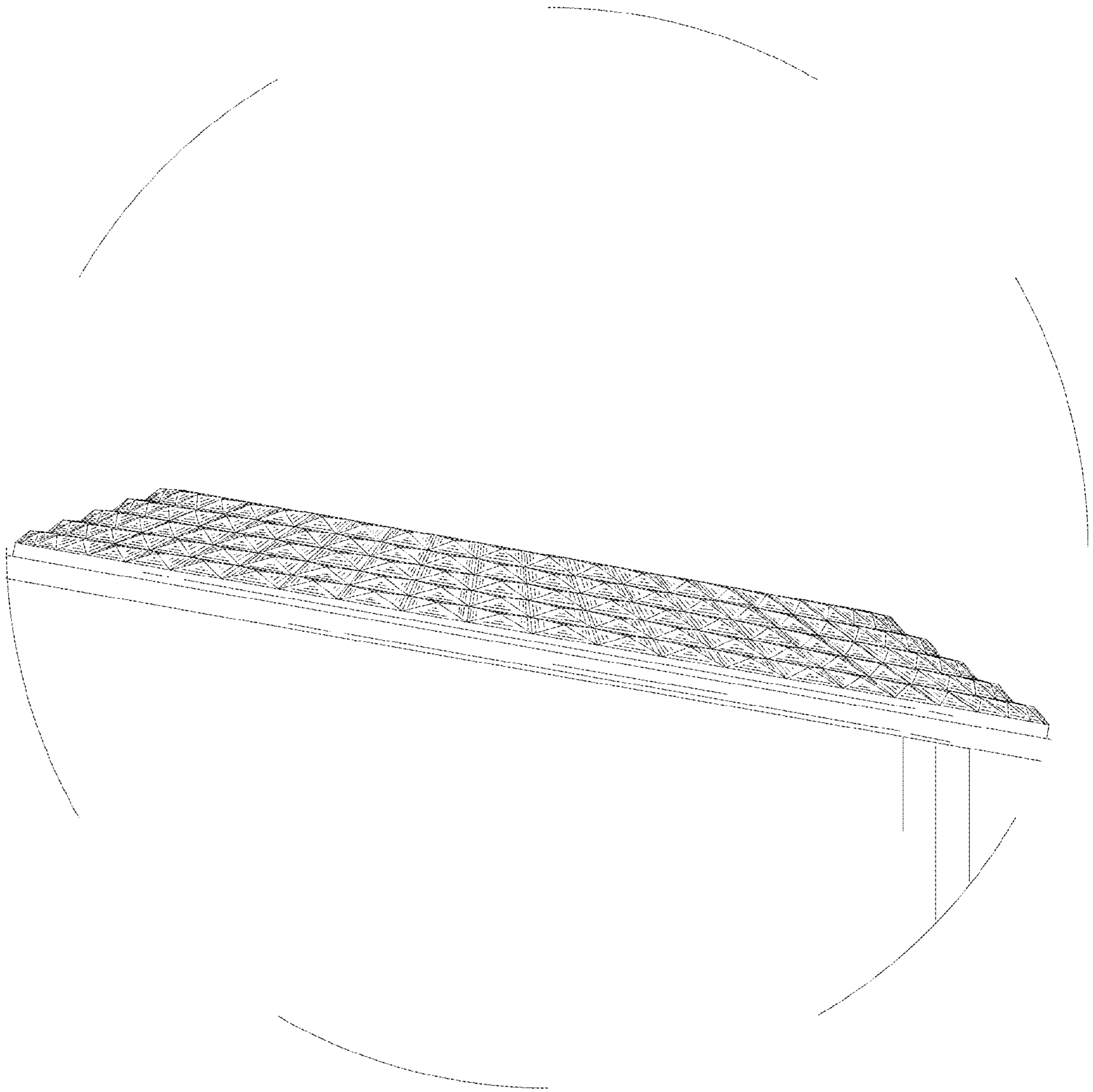


FIG. 25

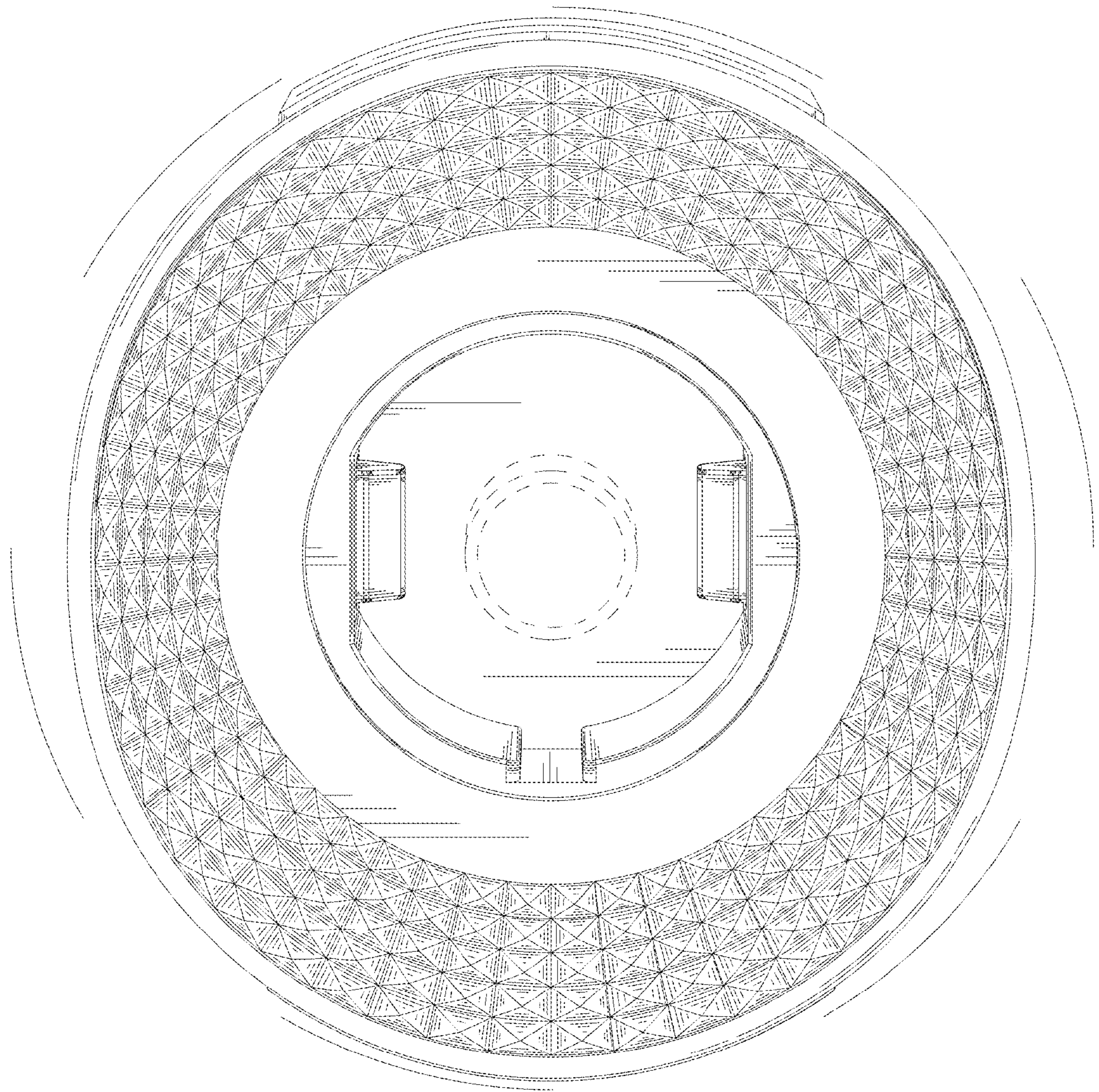


FIG. 26

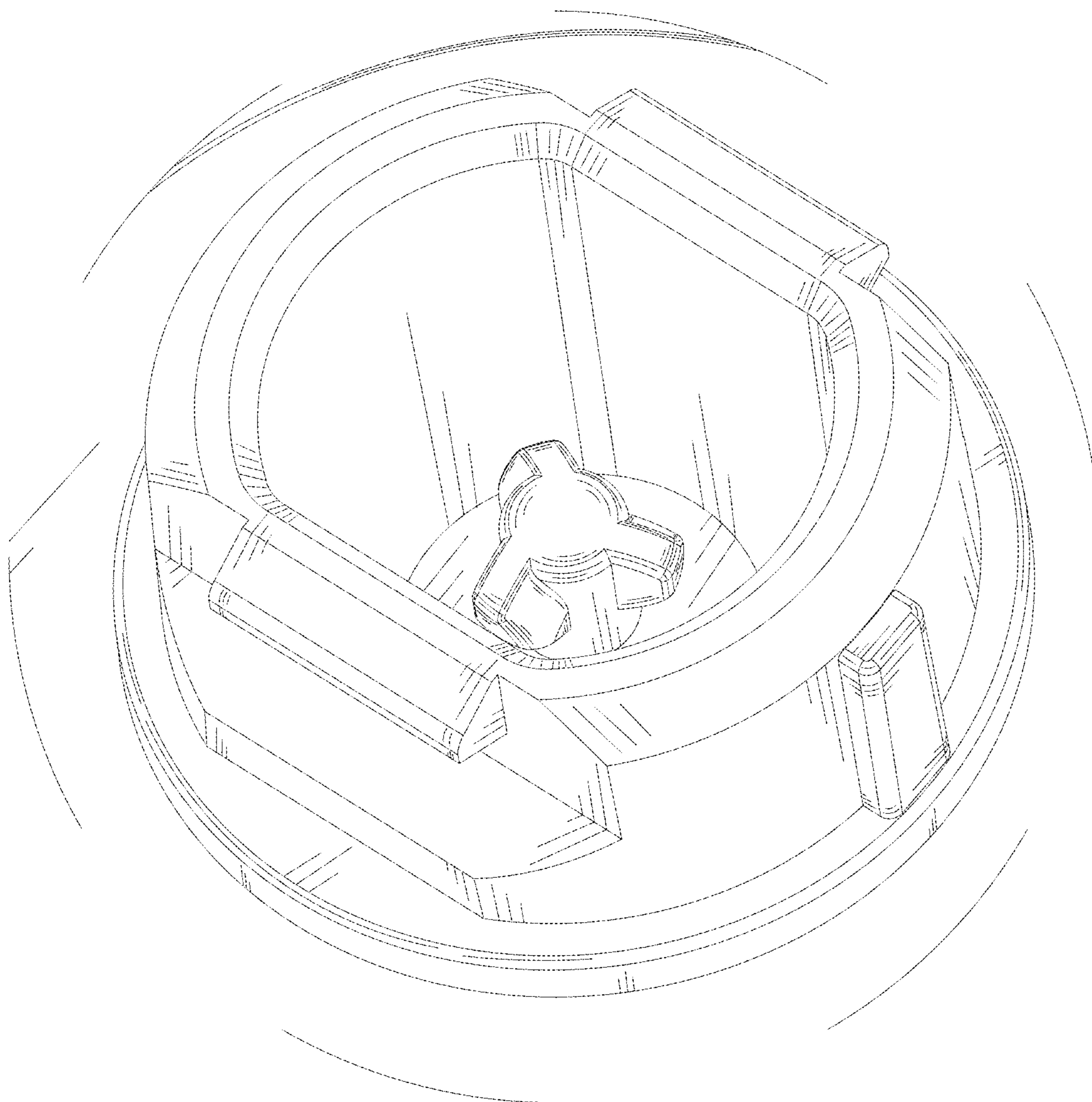


FIG. 27

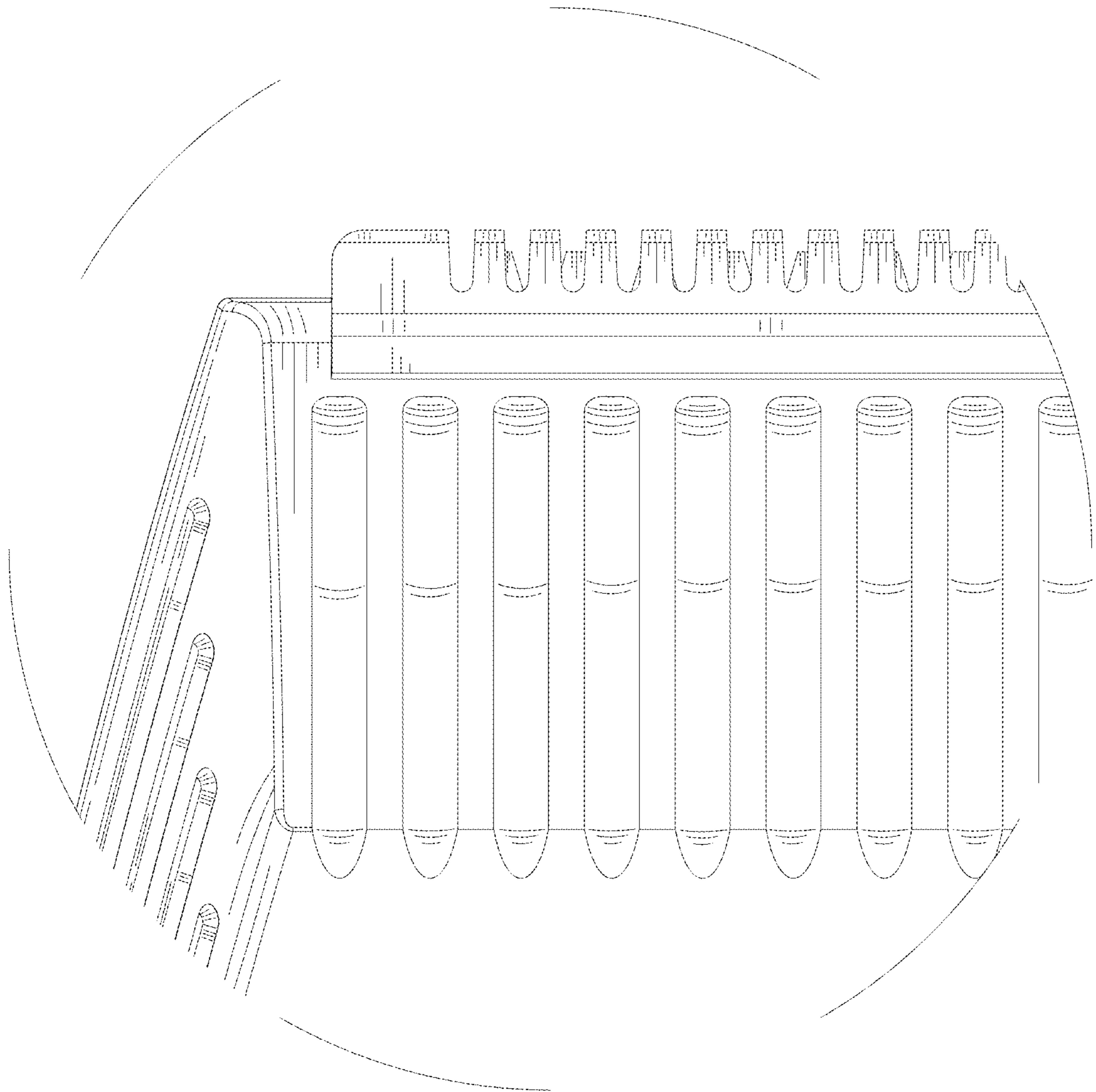


FIG. 28

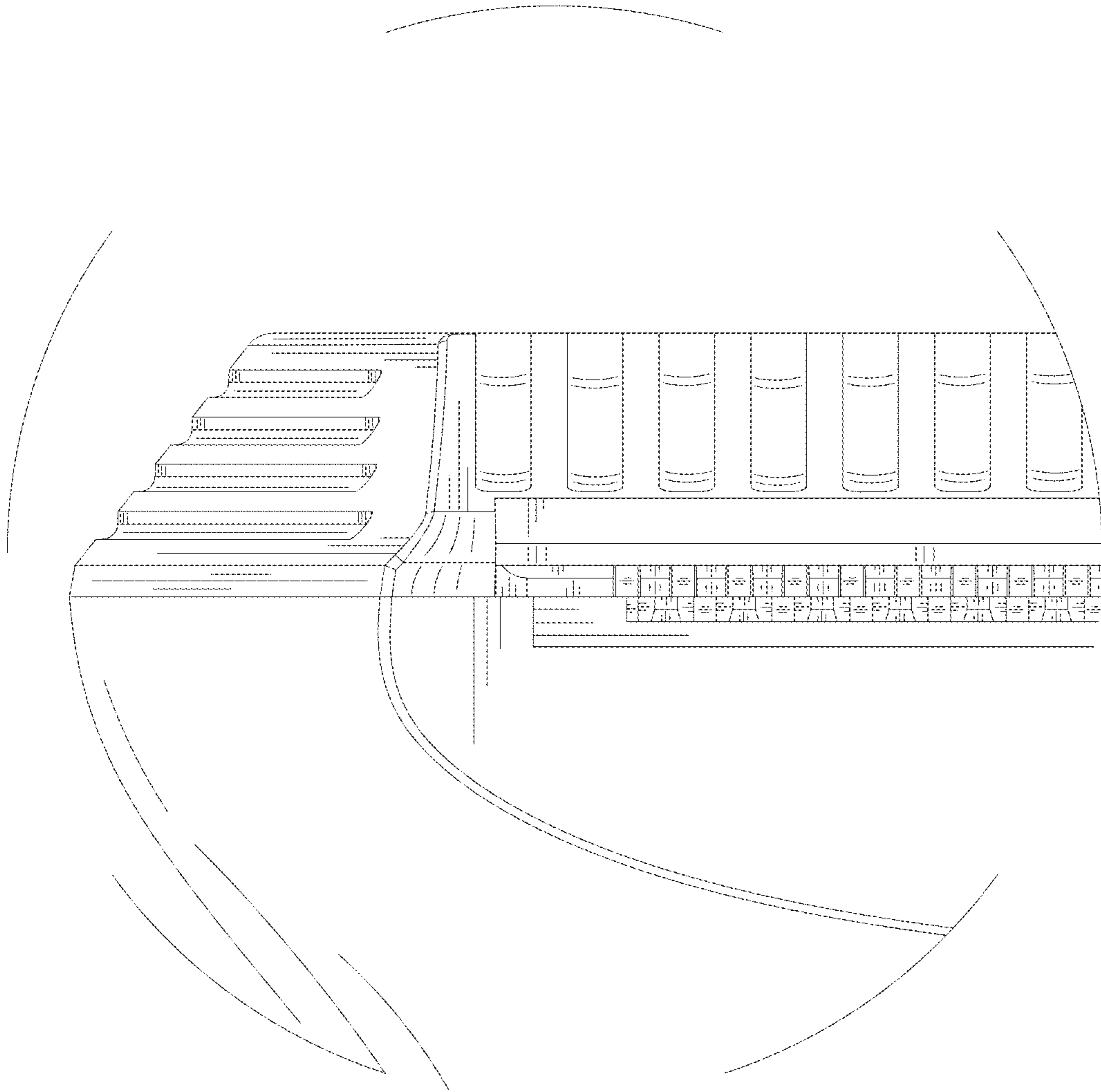


FIG. 29