



US00D957056S

(12) **United States Design Patent** (10) **Patent No.:** **US D957,056 S**
Siegmann (45) **Date of Patent:** **** Jul. 5, 2022**

(54) **SHAVING RAZOR HANDLE**

FOREIGN PATENT DOCUMENTS

(71) Applicant: **The Gillette Company LLC**, Boston, MA (US)

FR 2426549 A1 12/1979
RU 128963 U1 6/2013
(Continued)

(72) Inventor: **Eric Glenn Siegmann**, Quincy, MA (US)

OTHER PUBLICATIONS

(73) Assignee: **The Gillette Company LLC**, Boston, MA (US)

All Office Actions; U.S. Appl. No. 17/197,159.
Unpublished U.S. Appl. No. 17/197,159, filed Mar. 10, 2021, to first inventor et. al.

(**) Term: **15 Years**

Primary Examiner — Jennifer Rivard
Assistant Examiner — Alison M Ofstun
(74) *Attorney, Agent, or Firm* — John M. Lipchitz

(21) Appl. No.: **29/760,928**

(57) **CLAIM**

(22) Filed: **Dec. 4, 2020**

The ornamental design for a shaving razor handle, as shown and described.

(51) **LOC (13) Cl.** **28-03**

(52) **U.S. Cl.**
USPC **D28/48**

DESCRIPTION

(58) **Field of Classification Search**
USPC D28/45–48
CPC ... B26B 21/00; B26B 21/08; B26B 21/14–18;
B26B 21/40; B26B 21/44–48; B26B
21/30–32; B26B 21/4062–4075; B26B
21/528; B26B 21/446; B26B 19/38
See application file for complete search history.

FIG. 1 is a front perspective view of a first embodiment of a shaving razor handle showing my new design;
FIG. 2 is a front view thereof;
FIG. 3 is a rear view thereof;
FIG. 4 is a right view thereof;
FIG. 5 is a left view thereof;
FIG. 6 is a top view thereof;
FIG. 7 is a bottom view thereof;
FIG. 8 is a rear perspective view thereof;
FIG. 9 is a front perspective view of a second embodiment of a shaving razor handle showing my new design;
FIG. 10 is a front view thereof;
FIG. 11 is a rear view thereof;
FIG. 12 is a right view thereof;
FIG. 13 is a left view thereof;
FIG. 14 is a top view thereof;
FIG. 15 is a bottom view thereof; and,
FIG. 16 is a rear perspective view thereof.

(56) **References Cited**

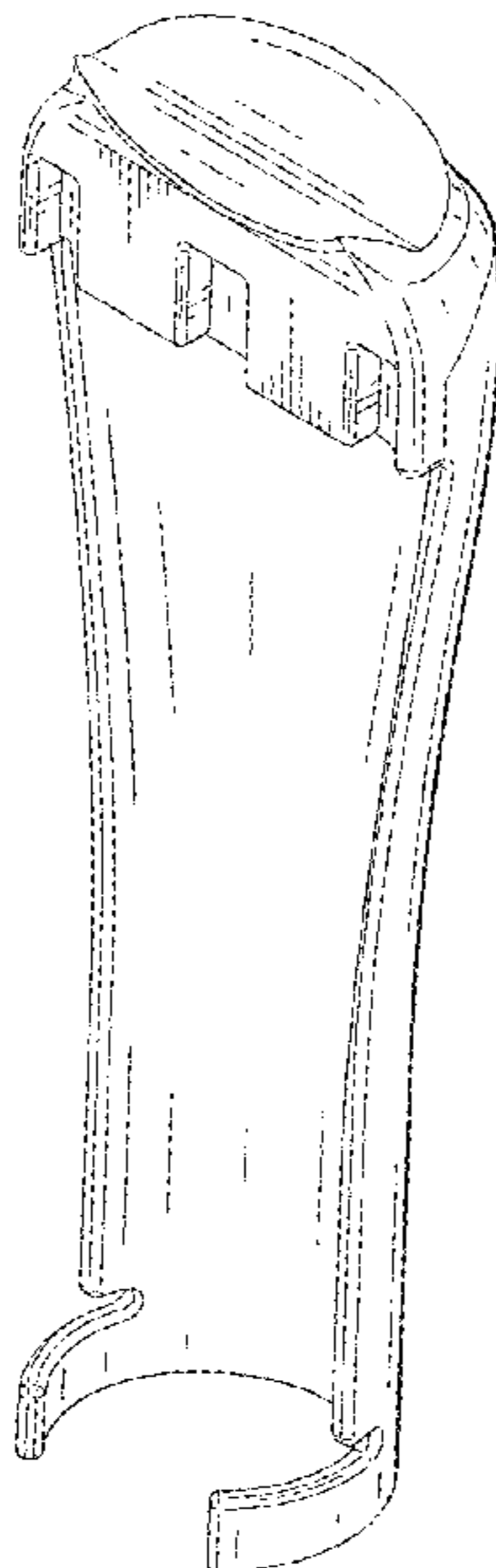
U.S. PATENT DOCUMENTS

1,673,590 A 6/1928 Redheffer
4,858,314 A * 8/1989 Cunningham B26B 21/446
30/41
D325,652 S * 4/1992 Byrne D28/46
5,269,062 A * 12/1993 Dallaire B26B 21/446
30/535
D343,026 S * 1/1994 Dallaire D28/47
D372,557 S * 8/1996 Mitchell D28/47

The broken lines in the drawings illustrate portions of the shaving razor handle and form no part of the claimed design.

(Continued)

1 Claim, 10 Drawing Sheets



(56)

References Cited

U.S. PATENT DOCUMENTS

5,701,674 A * 12/1997 Mitchell B26B 21/446
30/41
8,510,957 B2 * 8/2013 Wain B26B 21/446
30/535
8,607,458 B2 12/2013 Hosseini et al.
D887,642 S 6/2020 Hodgson
10,800,058 B2 * 10/2020 Eagleton B26B 21/528
11,141,873 B2 * 10/2021 Hodgson B26B 21/522
2012/0102745 A1 5/2012 Jessemey et al.
2013/0145623 A1 * 6/2013 Wain B26B 21/446
30/41
2015/0121705 A1 * 5/2015 Coffindaffer A61K 8/37
30/41.5
2021/0283791 A1 * 9/2021 Siegmann B26B 21/521

FOREIGN PATENT DOCUMENTS

RU 129224 U1 6/2013
WO 2007141816 A1 12/2007
WO 2018084822 A1 5/2018

* cited by examiner

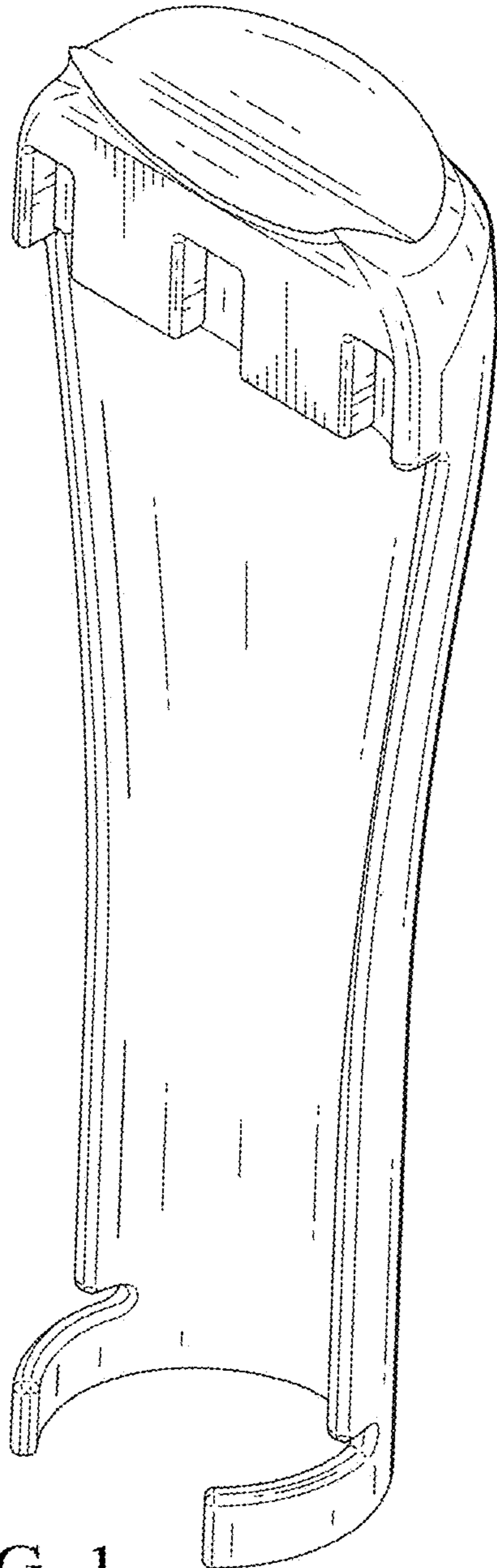


FIG. 1

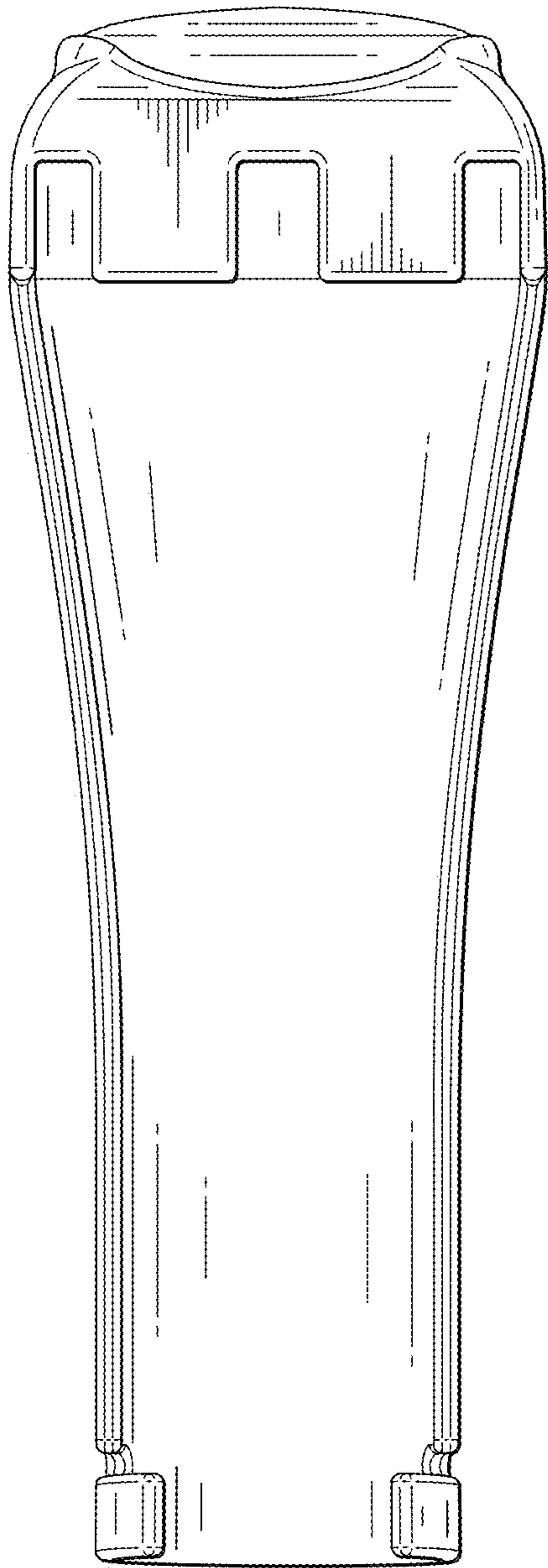


FIG. 2

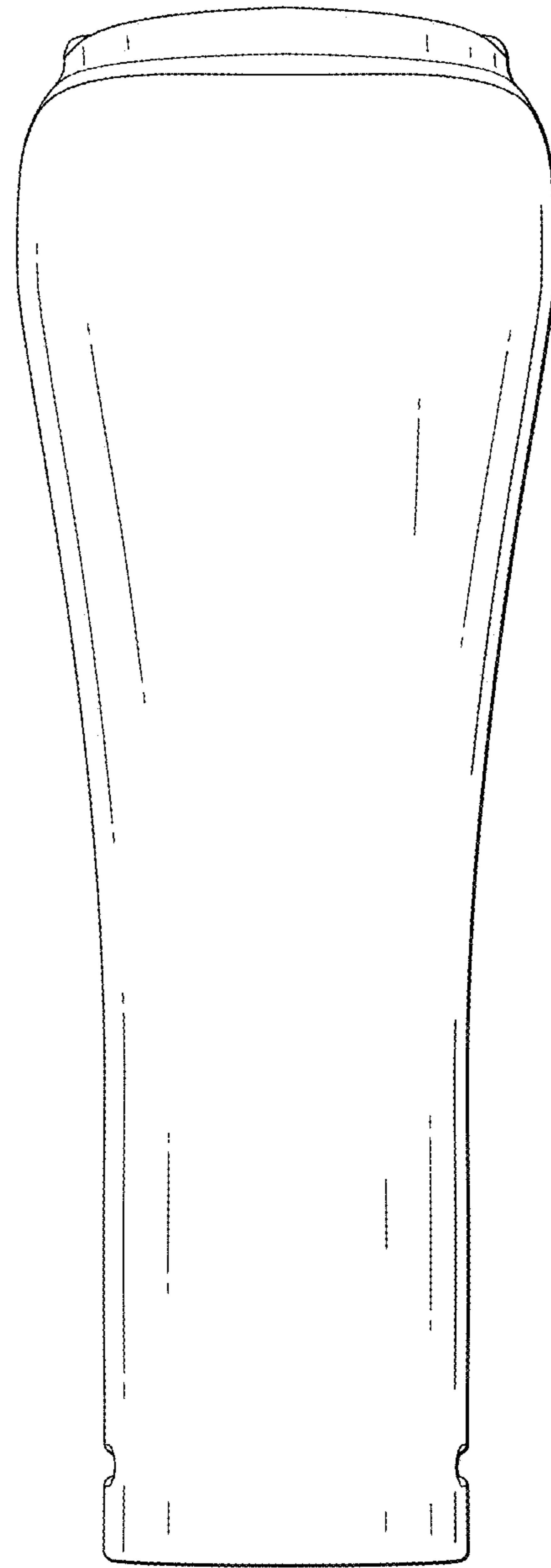


FIG. 3

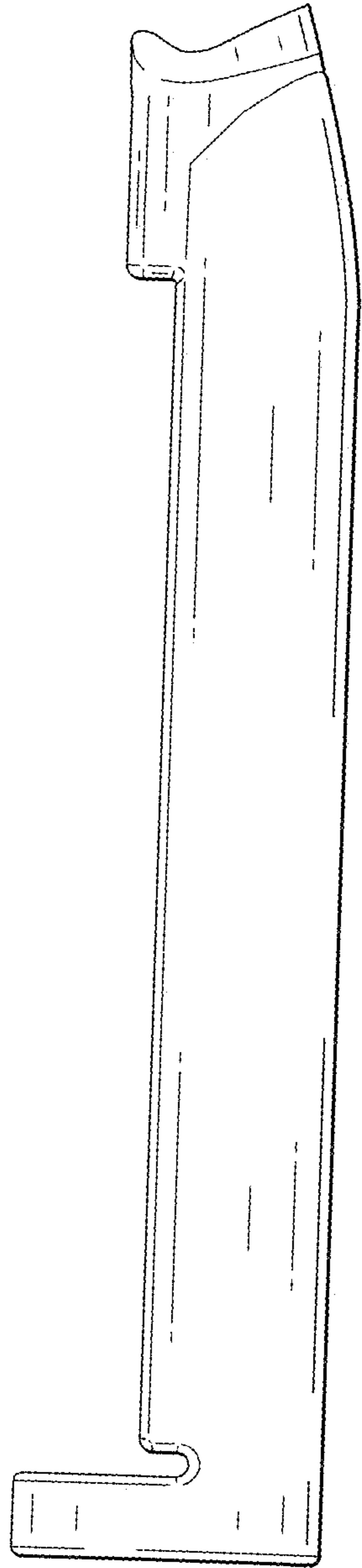


FIG. 4

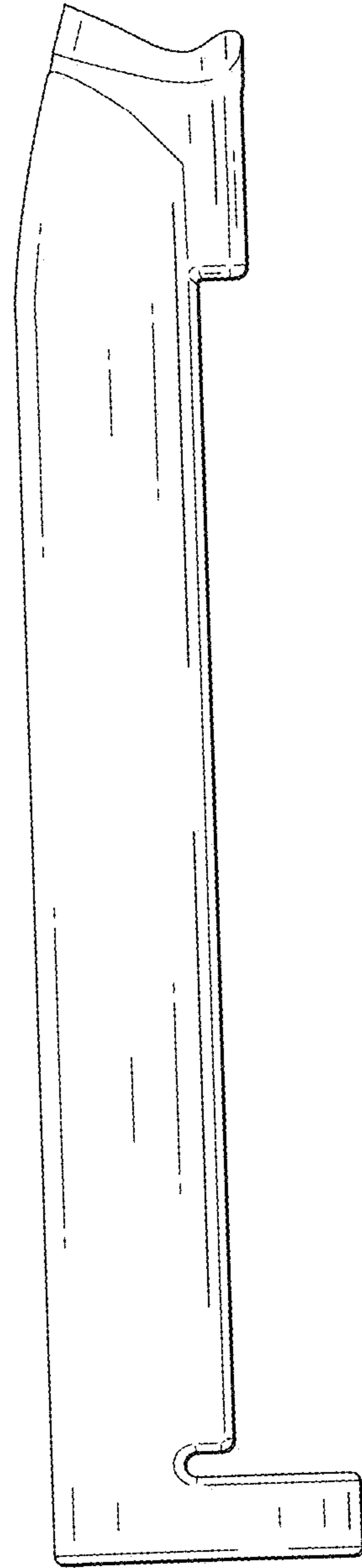


FIG. 5

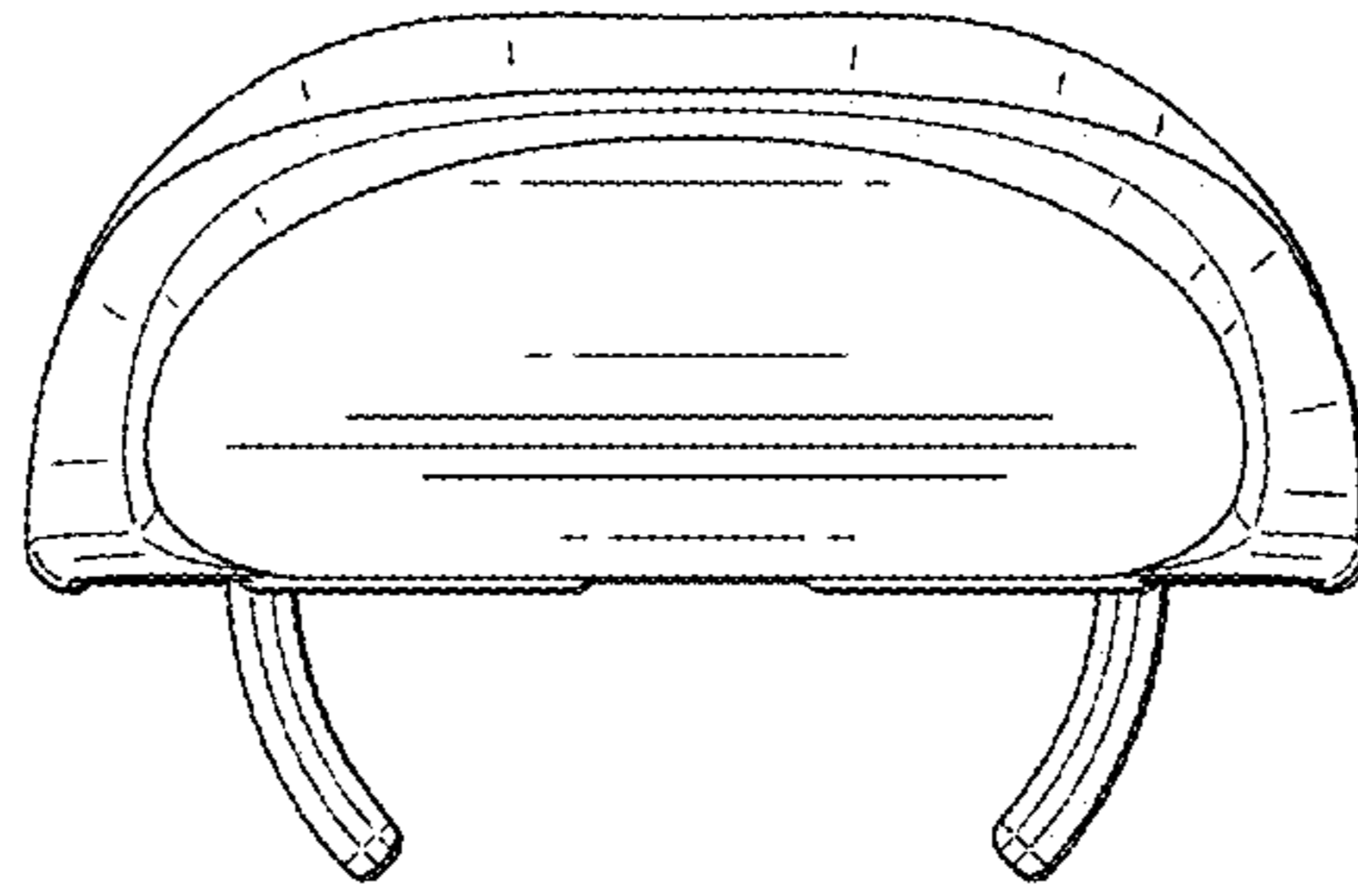


FIG. 6

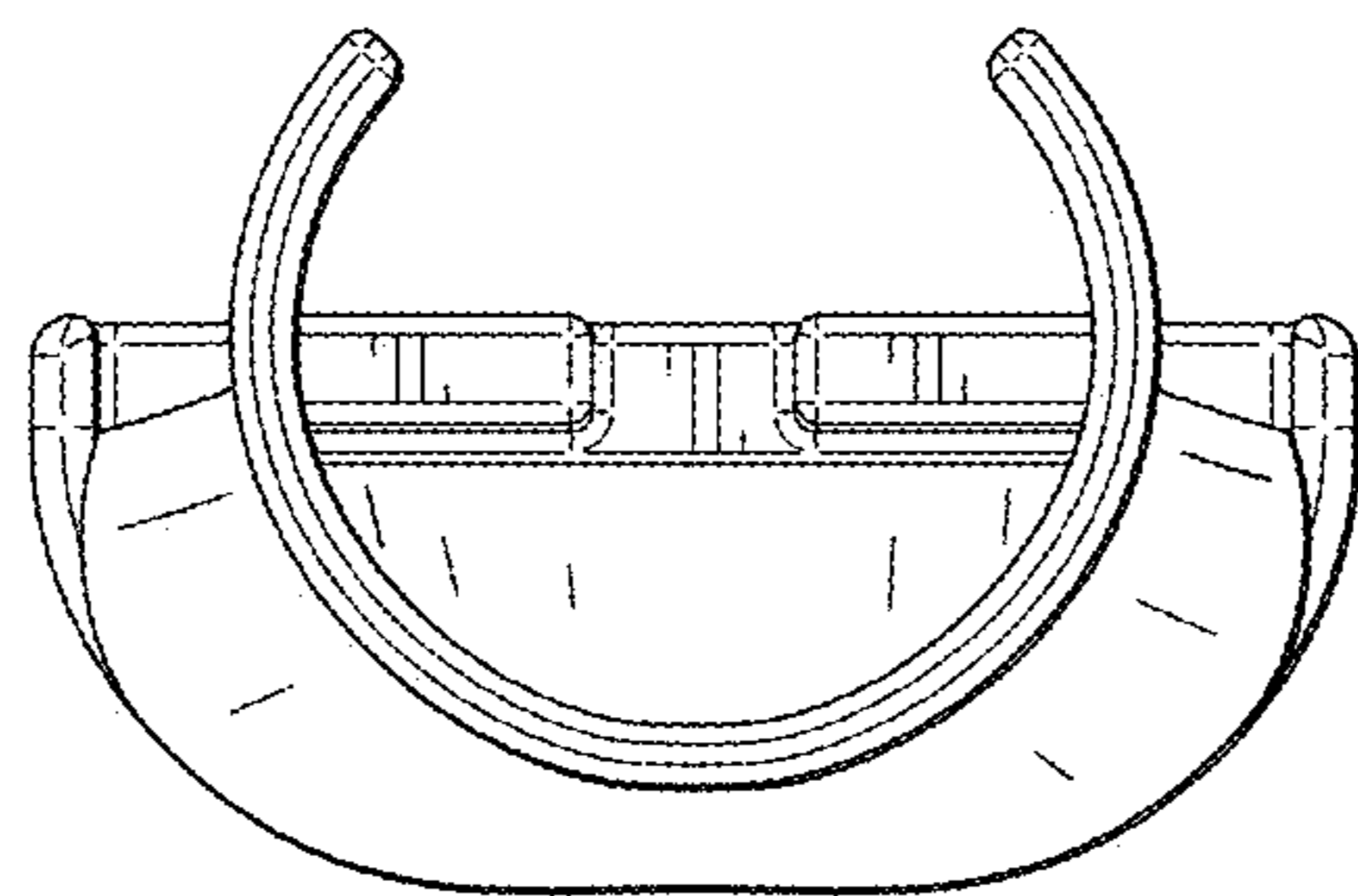


FIG. 7

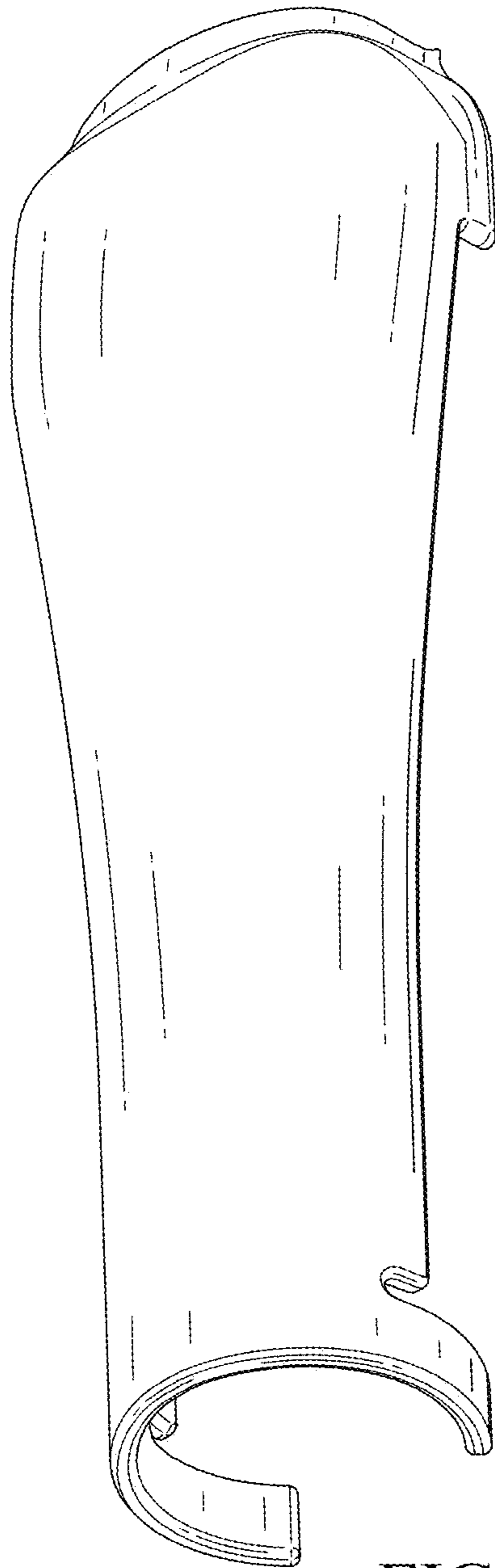


FIG. 8

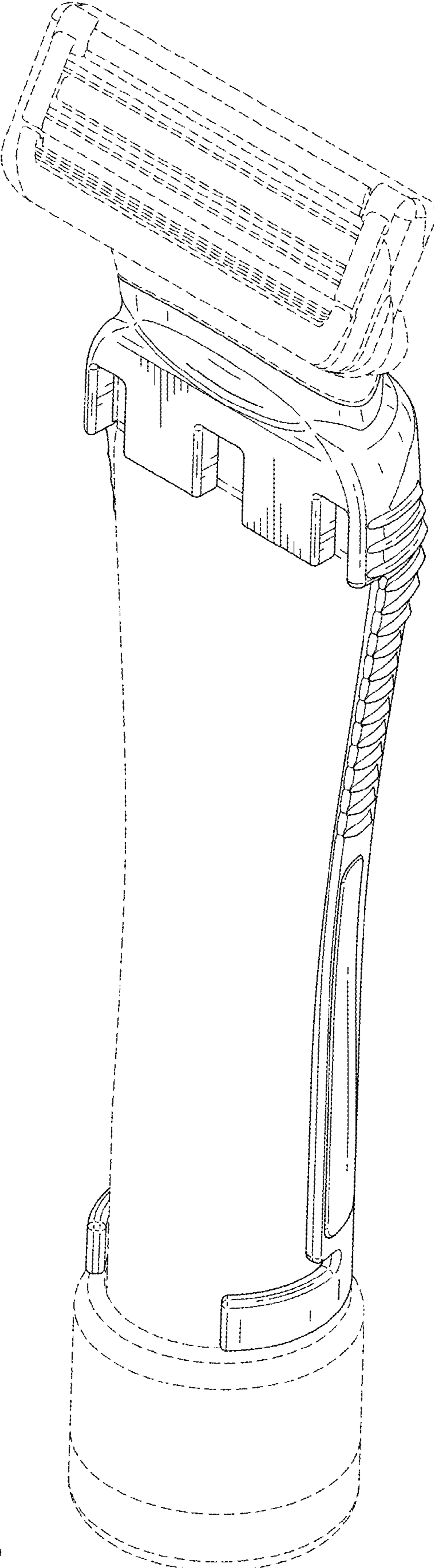


FIG. 9

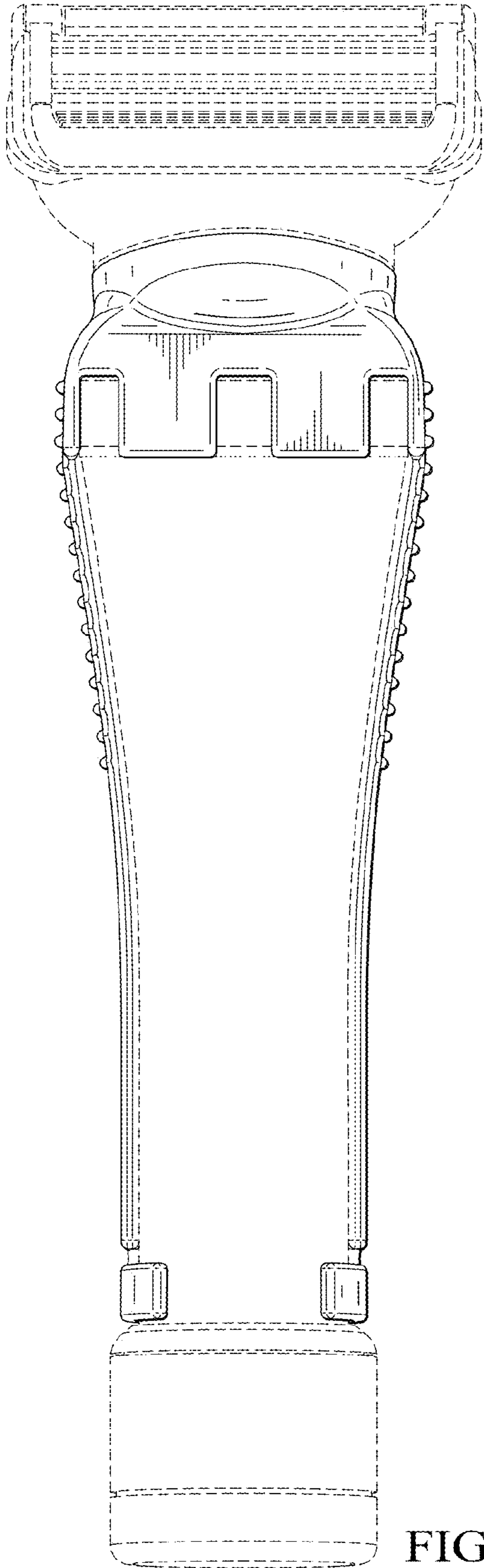


FIG. 10

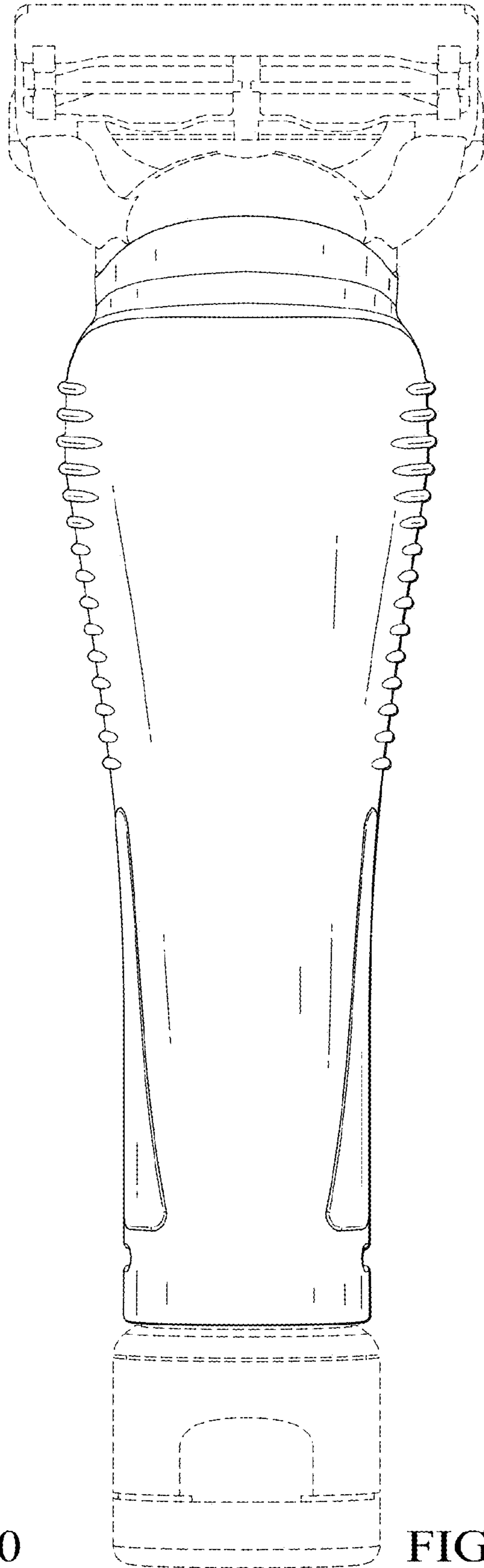


FIG. 11

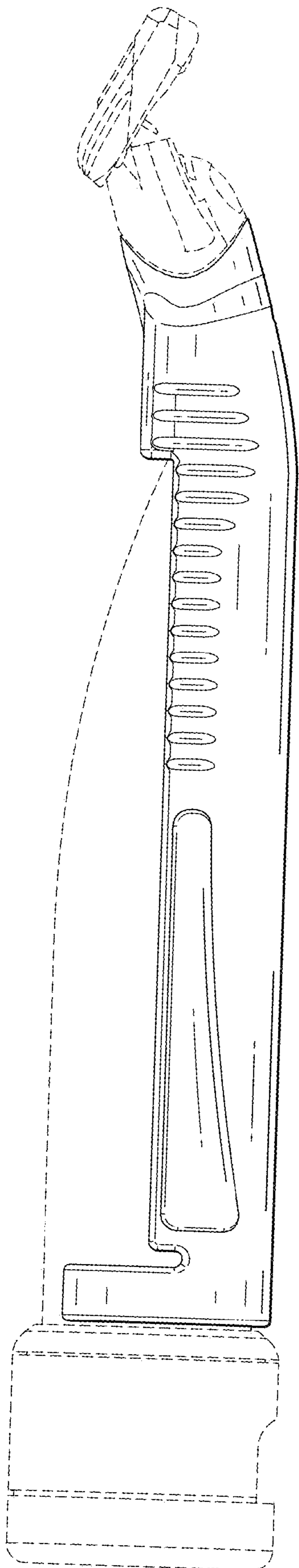


FIG. 12

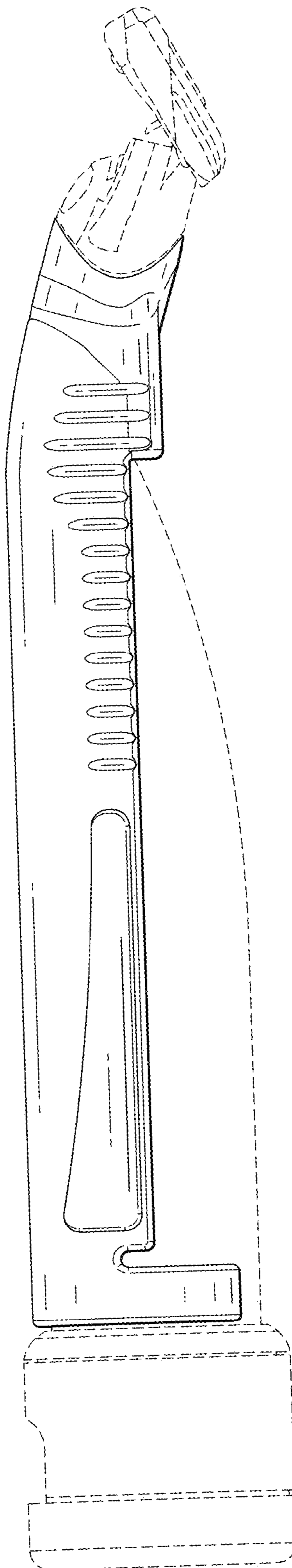


FIG. 13

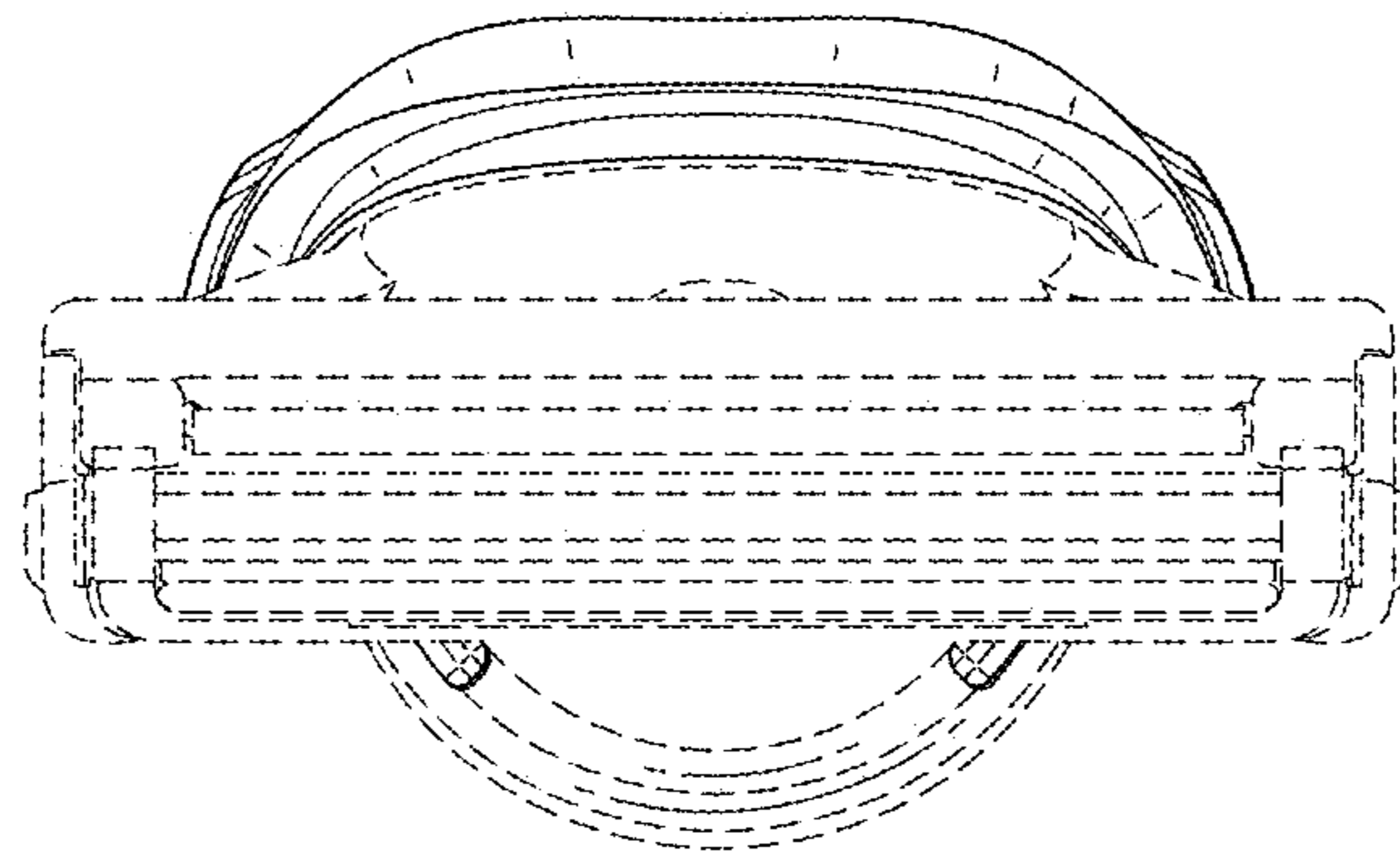


FIG. 14

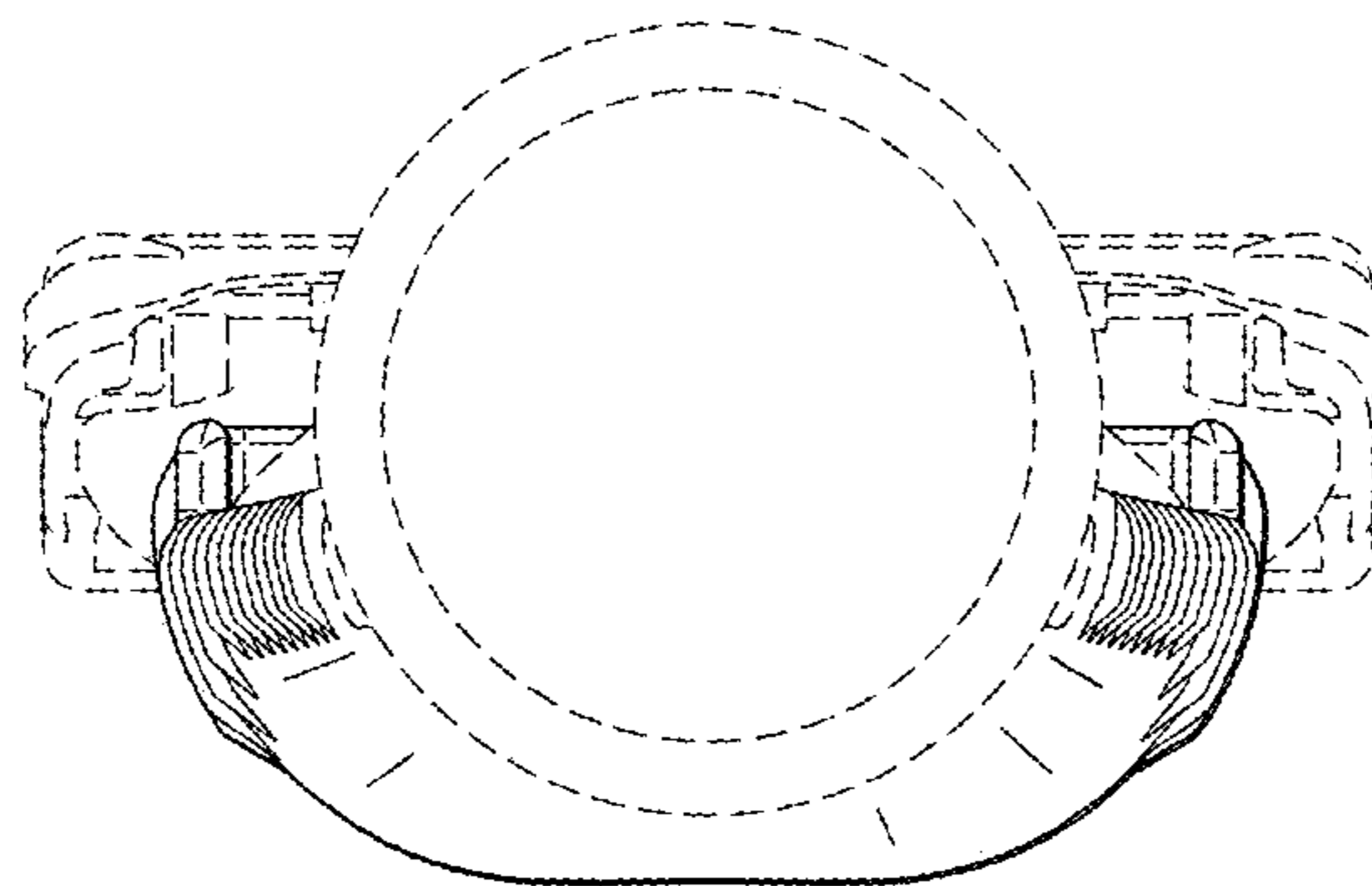


FIG. 15

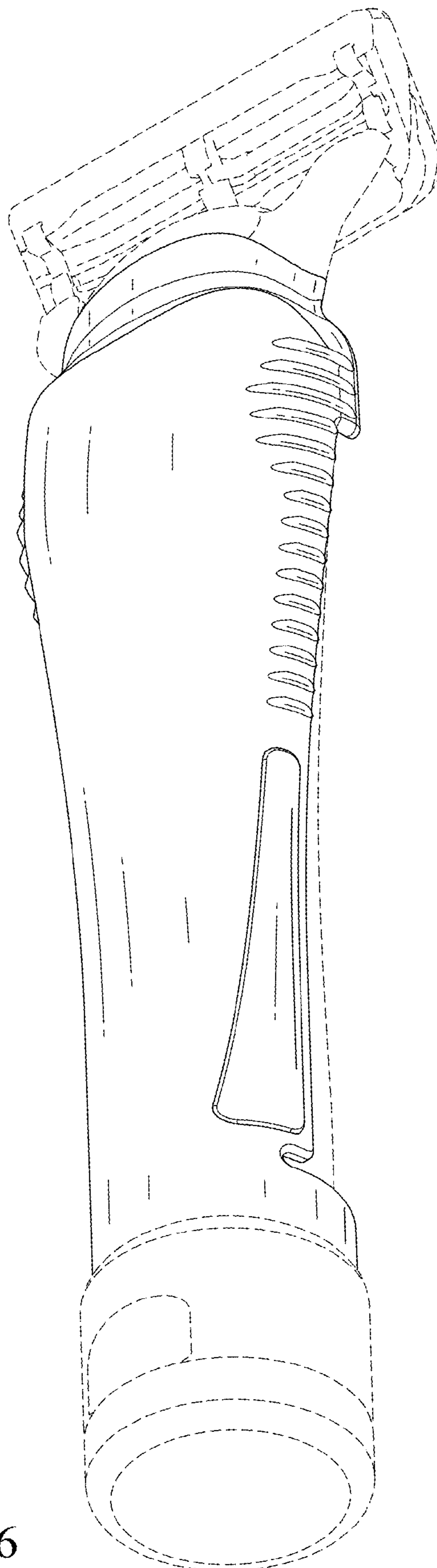


FIG. 16