



US00D957055S

(12) **United States Design Patent**  
**Zheng et al.**

(10) **Patent No.:** **US D957,055 S**  
(45) **Date of Patent:** **\*\* Jul. 5, 2022**

(54) **HOT AIR COMB**

FOREIGN PATENT DOCUMENTS

(71) Applicant: **Thumbs Up Innovations Technology Co., Ltd.**, Guangdong (CN)

EM 008157739-0001 \* 9/2020  
GB 9007747308-0001 \* 3/2020  
GB 9007805163-0001 \* 4/2020

(72) Inventors: **Rongjin Zheng**, Guangdong (CN);  
**Yubin Li**, Guangdong (CN); **Yuqiang Zhao**, Guangdong (CN); **Guojun Lv**, Guangdong (CN); **Yiying Ji**, Guangdong (CN); **Wenpo Wu**, Guangdong (CN); **Yong Wang**, Guangdong (CN)

OTHER PUBLICATIONS

3 in 1 Electric Hair Dryer Hot Air Brush Curler Hairdryer Comb Straightener by Wodllcas [on-line], [Original date of publication unknown.] [Retrieved Apr. 23, 2022.] URL: <https://www.walmart.com/ip/3-in-1-Electric-Hair-Dryer-Hot-Air-Brush-Curler-Hairdryer-Comb-Straightener/957655140> (Year: 2022).\*

(73) Assignee: **Thumbs Up Innovations Technology Co., Ltd.**, Guangdong (CN)

*Primary Examiner* — Karen E Eldridge Powers  
(74) *Attorney, Agent, or Firm* — ScienBiziP, P.C.

(\*\*) Term: **15 Years**

(57) **CLAIM**

The ornamental design for a hot air comb, as shown and described.

(21) Appl. No.: **29/780,602**

**DESCRIPTION**

(22) Filed: **Apr. 26, 2021**

(51) **LOC (13) Cl.** ..... **28-03**

(52) **U.S. Cl.**  
USPC ..... **D28/35; D4/100**

(58) **Field of Classification Search**  
USPC ..... D4/100, 102, 117, 121, 127, 128, 130, D4/131, 132, 133, 134, 135, 136, 138, D4/199; D28/24, 25, 26, 28, 30, 35  
CPC .. A46B 5/02; A46B 9/02; A46B 9/023; A46B 13/02; A46B 2200/104; A46B 15/003; A46B 15/0022; A46B 15/0051  
See application file for complete search history.

FIG. 1 is a front, left, and bottom perspective view of a hot air comb, showing our design.  
FIG. 2 is a rear, right, and top perspective view thereof.  
FIG. 3 is a front elevation view thereof.  
FIG. 4 is a rear elevation view thereof.  
FIG. 5 is a left side elevation view thereof.  
FIG. 6 is a right side elevation view thereof.  
FIG. 7 is a top plan view thereof.  
FIG. 8 is a bottom plan view thereof.  
FIG. 9 is a partial enlarged view of the area labeled “9” in FIG. 1; and,  
FIG. 10 is a partial enlarged view of the area labeled “10” in FIG. 1.

(56) **References Cited**

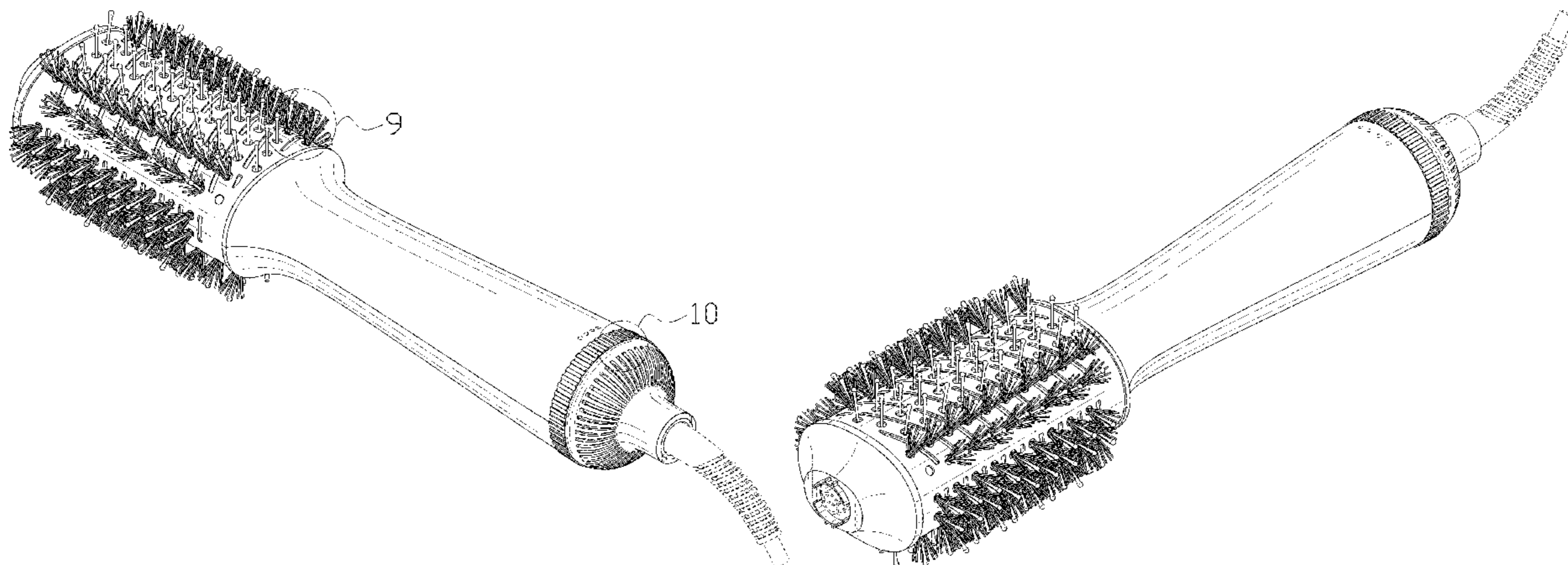
U.S. PATENT DOCUMENTS

D792,711 S \* 7/2017 Hou ..... D4/133  
D879,374 S \* 3/2020 Liao ..... D28/13  
D899,781 S \* 10/2020 Liang ..... D28/15  
D901,772 S \* 11/2020 Huang ..... D28/35

(Continued)

The dashed broken-lines shown in the drawings are included for the purpose of illustrating portions of the hot air comb that form no part of the claimed design. The long-short-long broken-lines indicate the bounds of the areas in FIG. 1 (that are shown enlarged in FIGS. 9 and 10), and illustrate the bounds of the enlarged views. The long-short-long broken lines form no part of the claimed design.

**1 Claim, 10 Drawing Sheets**



(56)

**References Cited**

U.S. PATENT DOCUMENTS

D902,482 S *	11/2020	Koenemann .....	D28/35
D902,603 S *	11/2020	Zhanye .....	D28/15
D903,941 S *	12/2020	Koenemann .....	D28/35
D916,368 S *	4/2021	Koenemann .....	D4/133
D921,291 S *	6/2021	Zhang .....	D4/133
D934,498 S *	10/2021	Hillebrecht .....	D28/35
D935,186 S *	11/2021	Wansooriya Mudiyanse- lage .....	D4/100
D936,301 S *	11/2021	Zhu .....	D30/158
D941,526 S *	1/2022	Hillebrecht .....	D28/35
2014/0366910 A1 *	12/2014	Habibi .....	A45D 20/525 15/160

\* cited by examiner



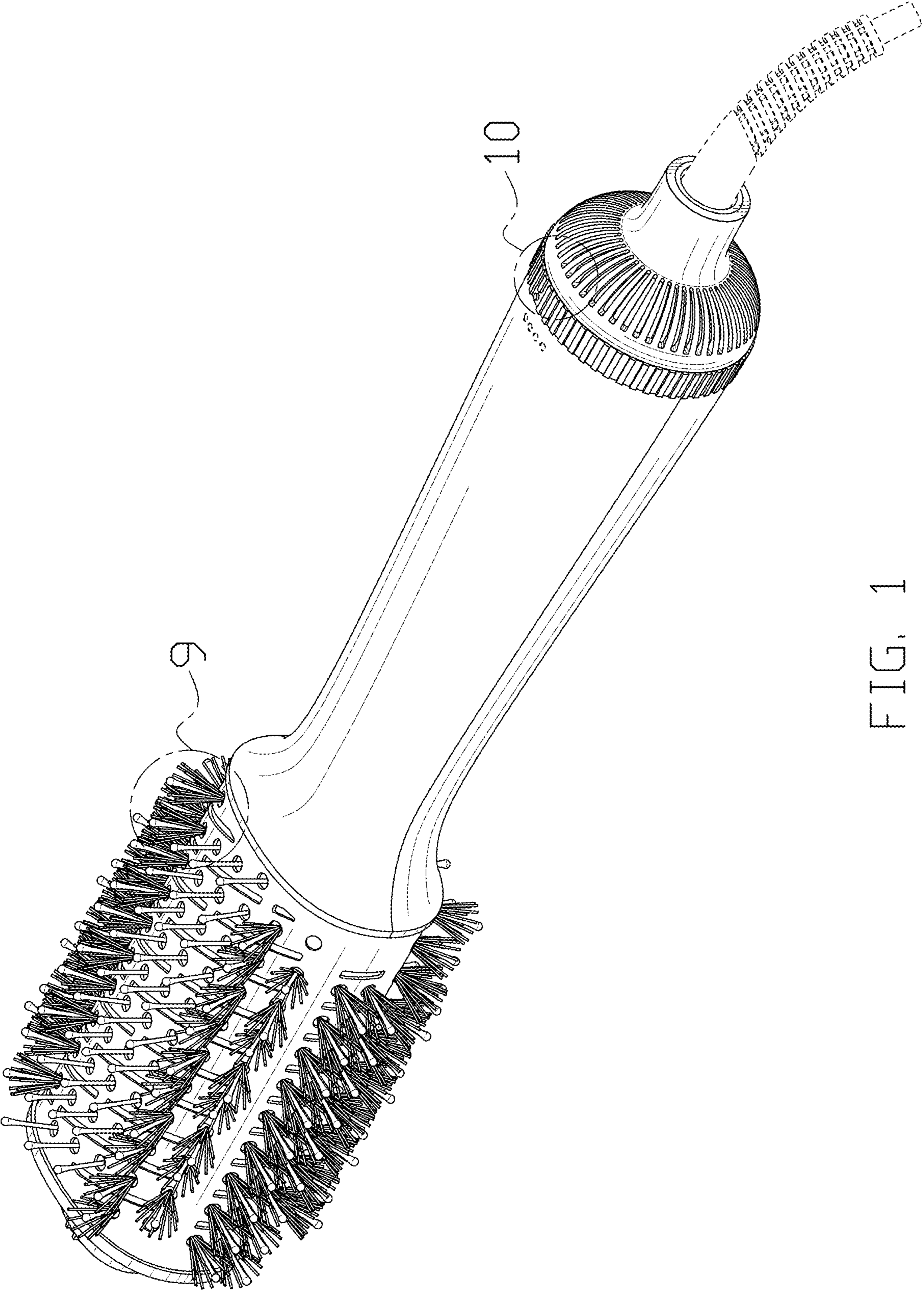


FIG. 1

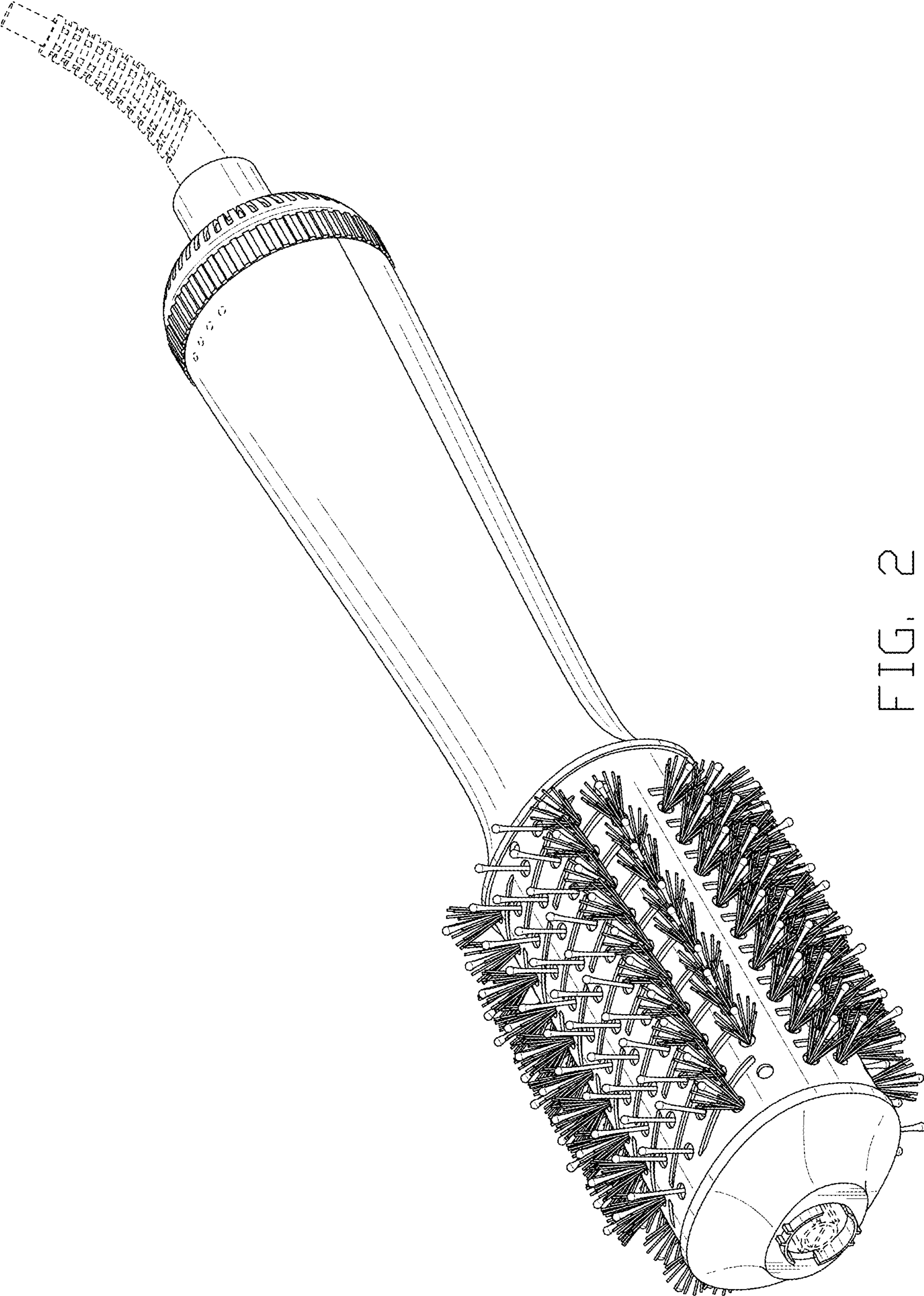


FIG. 2



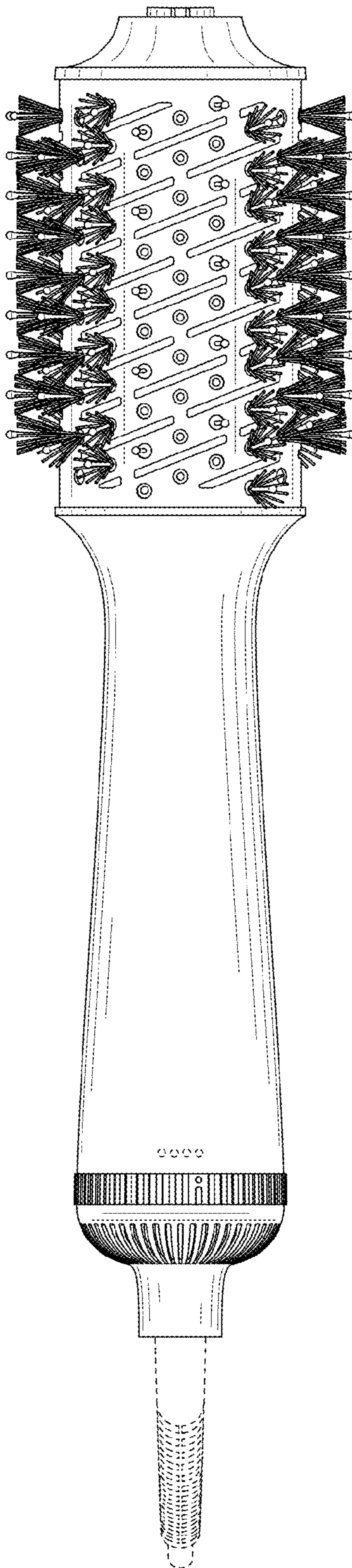


FIG. 3

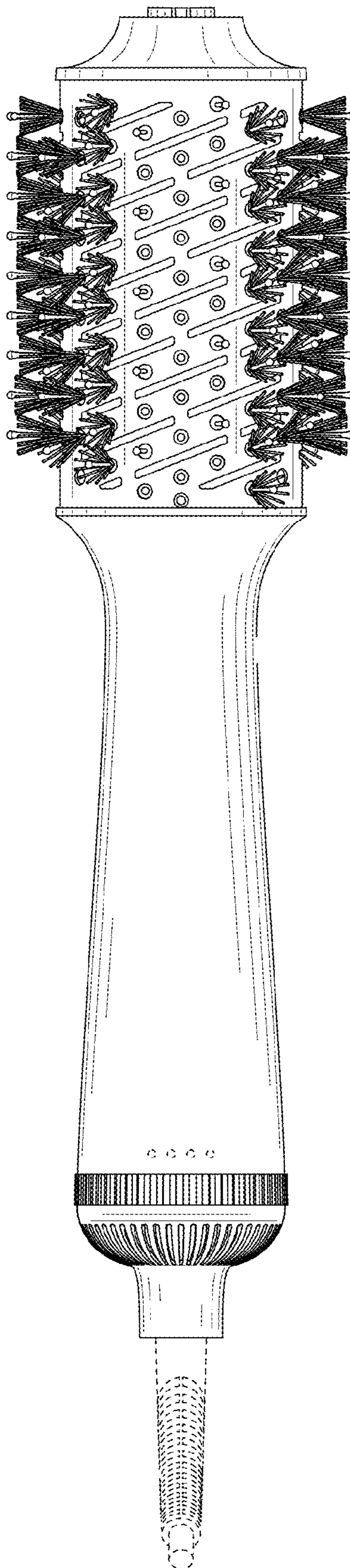


FIG. 4

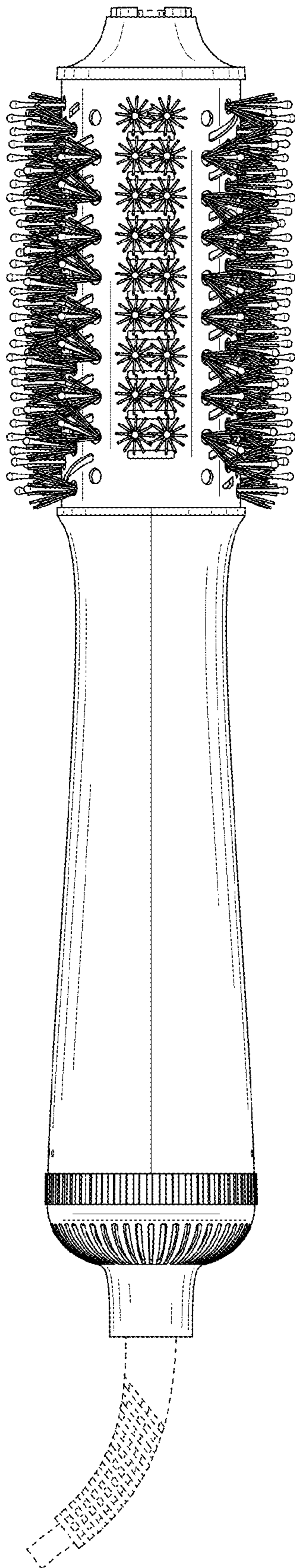


FIG. 5

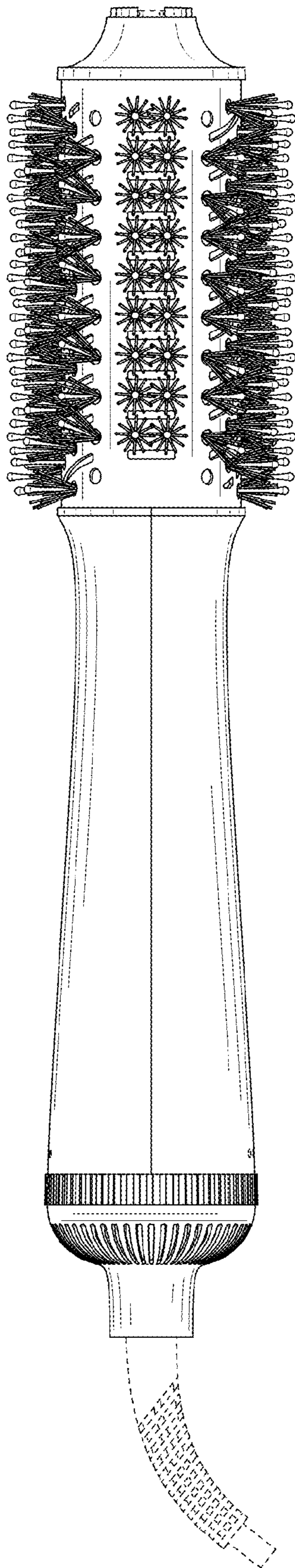


FIG. 6



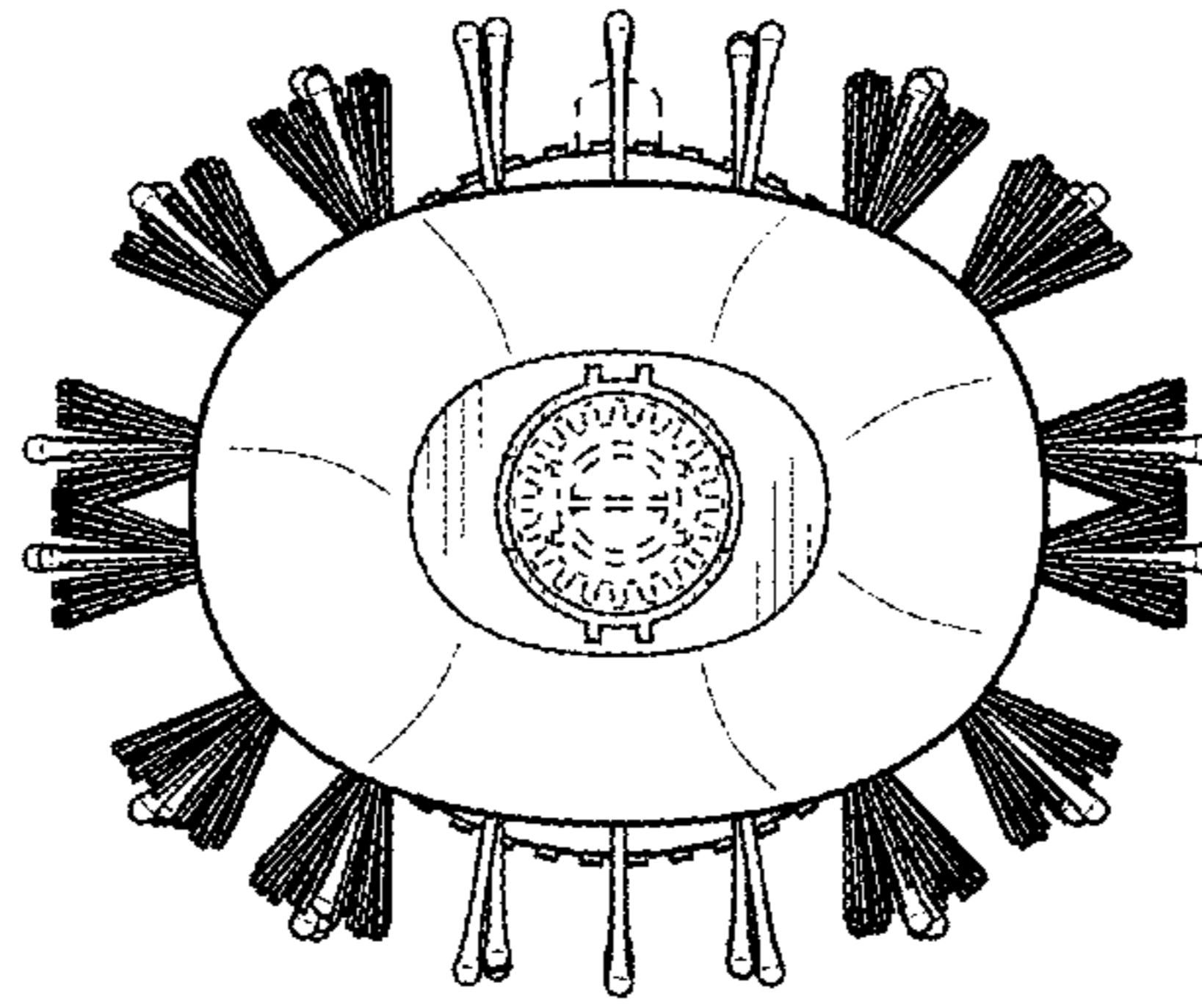


FIG. 7

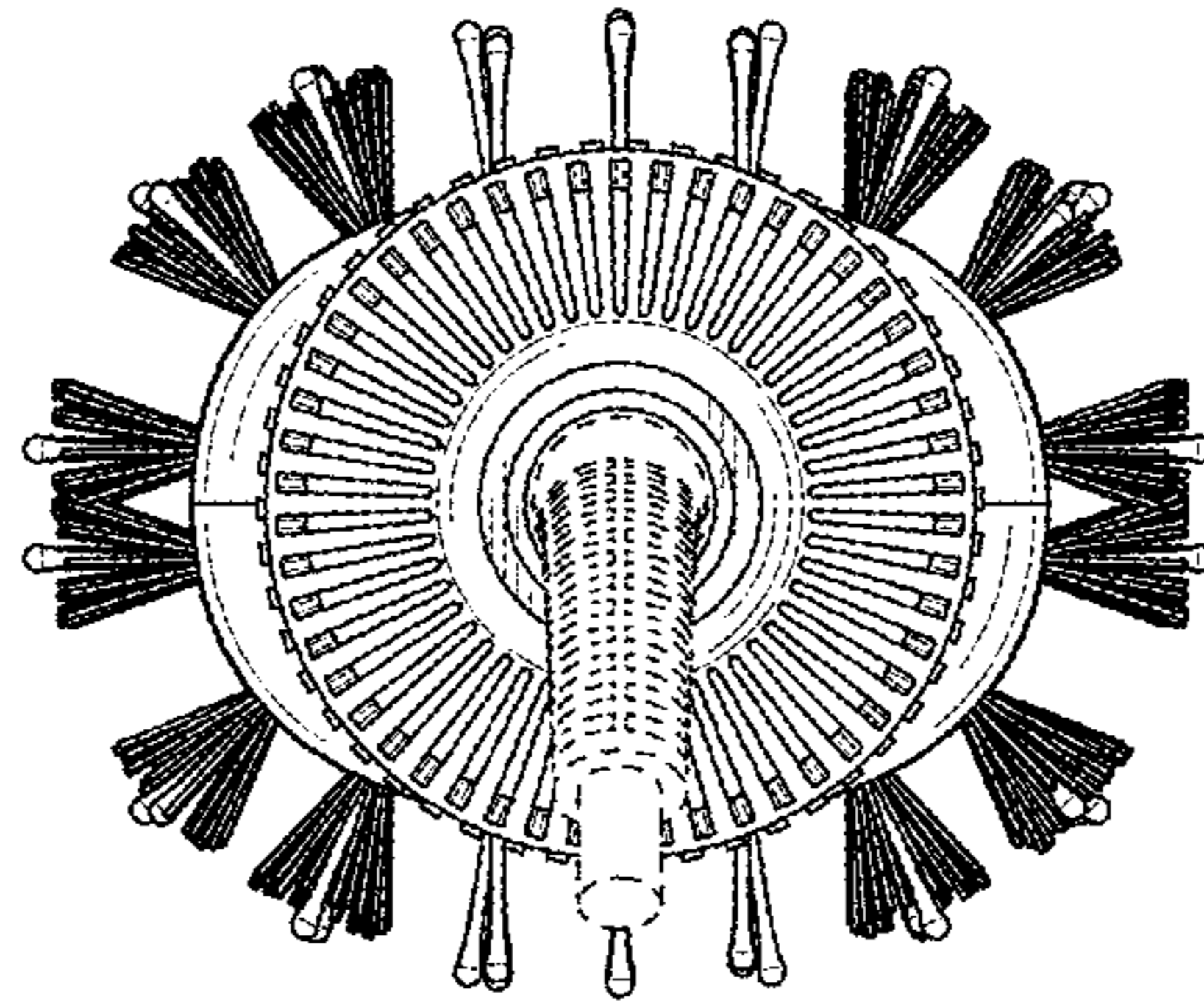


FIG. 8

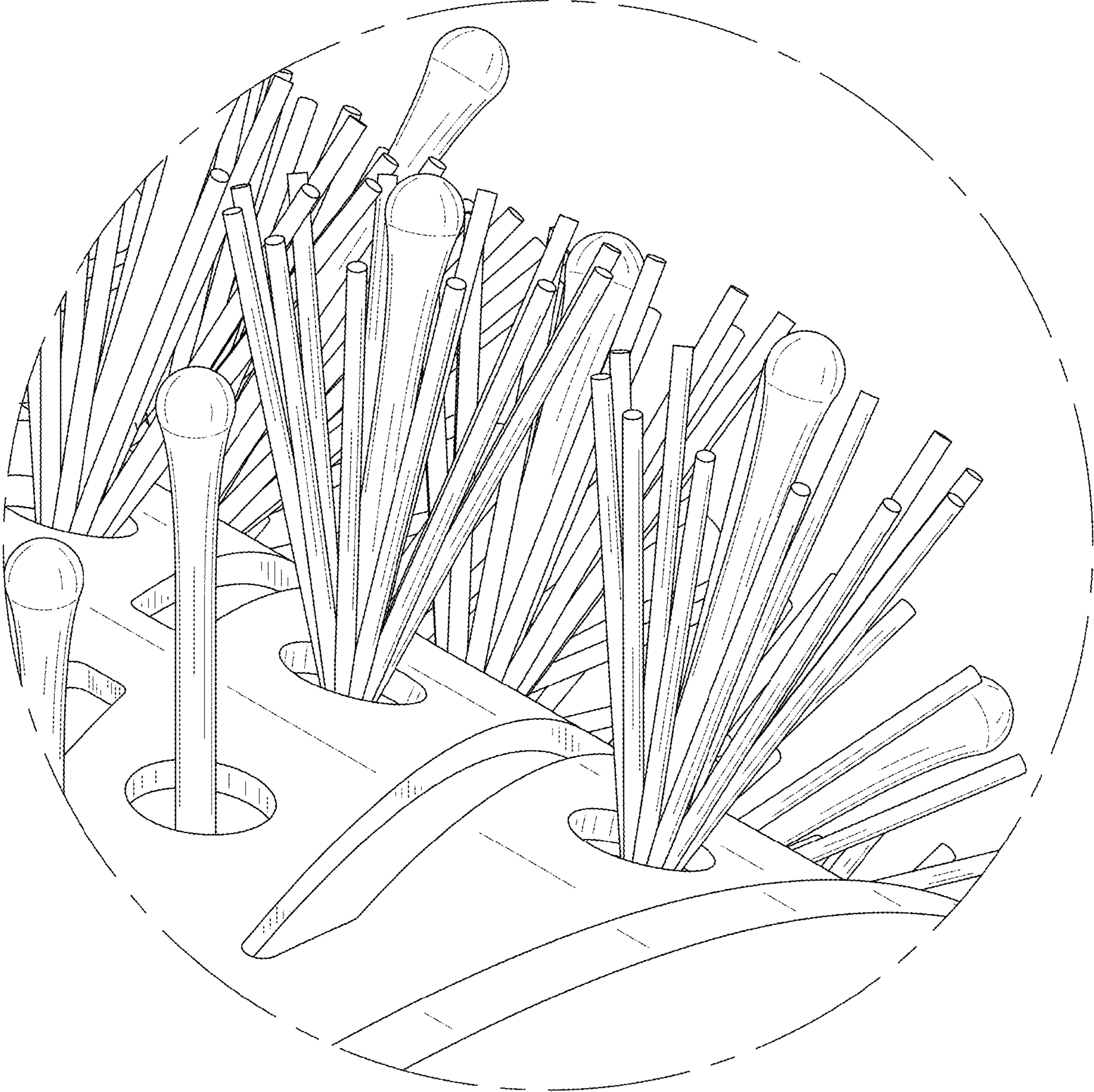


FIG. 9



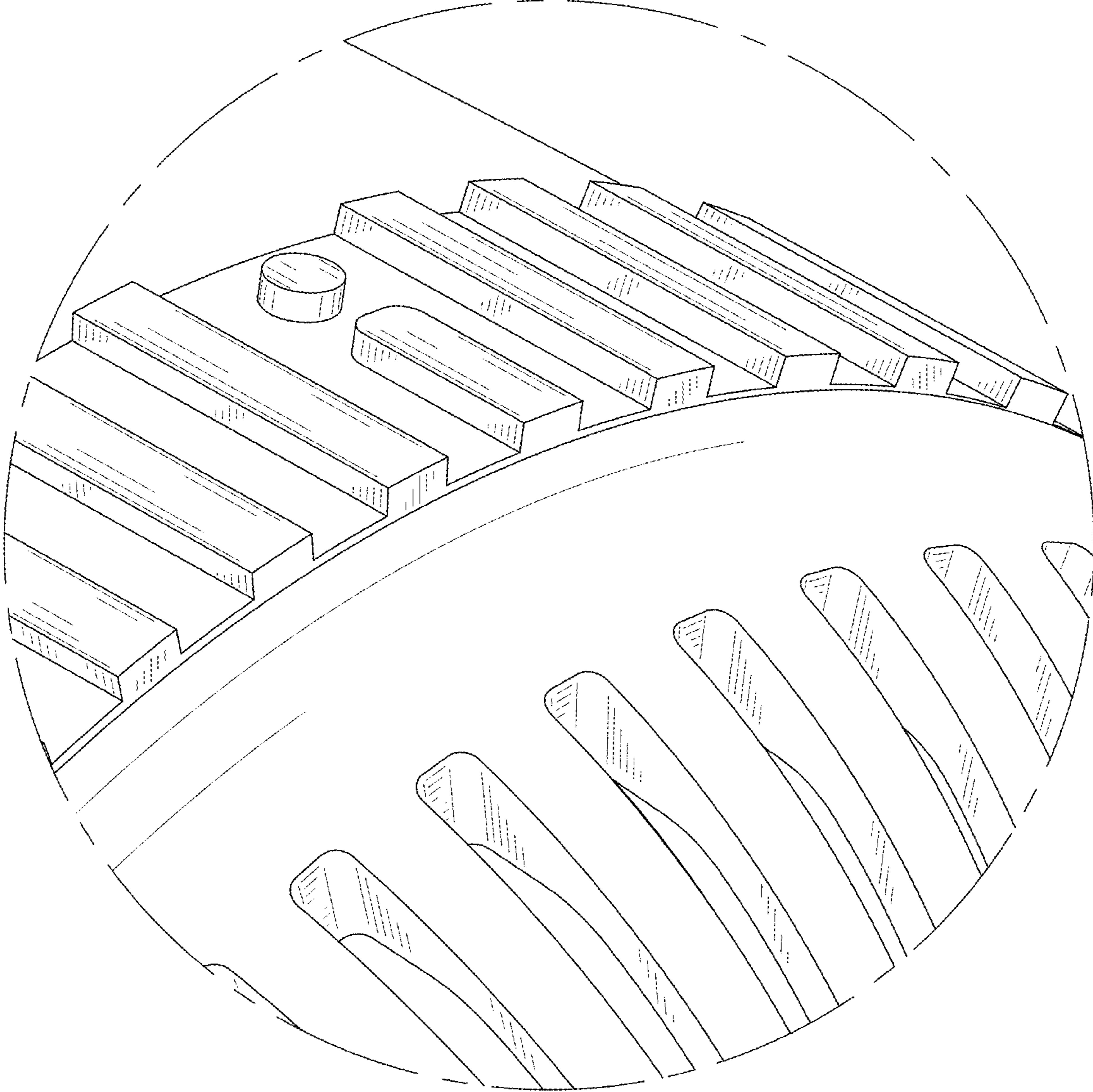


FIG. 10