



US00D957051S

(12) **United States Design Patent** (10) **Patent No.:** **US D957,051 S**
Marin (45) **Date of Patent:** **** Jul. 5, 2022**

(54) EYELINER	6,315,140 B1 *	11/2001	Nadel	A45D 40/265 215/228
(71) Applicant: L'Oreal, Paris, France, Paris (FR)	7,223,035 B1 *	5/2007	Engel	A45D 40/267 401/122
(72) Inventor: Alexandra Marin, Paris (FR)	D566,336 S	4/2008	Althoff et al.	
(73) Assignee: L'Oreal, Paris (FR)	7,918,619 B2 *	4/2011	Gueret	A45D 40/262 401/128
(**) Term: 15 Years	7,967,519 B2 *	6/2011	Gueret	A45D 40/267 401/122
(21) Appl. No.: 29/756,425	D644,378 S	8/2011	Mongeon et al.	
(22) Filed: Oct. 28, 2020	D713,459 S *	9/2014	Zeitler	D19/117
	D739,607 S	9/2015	Golding	
	D740,491 S	10/2015	Albertini	
	D815,357 S	4/2018	Wieland	
	D816,898 S	5/2018	Shavit et al.	
	2012/0266907 A1 *	10/2012	Chan	A45D 34/042 132/218

Related U.S. Application Data

(63) Continuation of application No. 35/506,543, filed on Jan. 9, 2019 (U.S. filing date under 35 U.S.C. 384), and having an international filing date of Jan. 9, 2019, now abandoned.

(Continued)

Primary Examiner — Zenia I Bennett
(74) *Attorney, Agent, or Firm* — Edell, Shapiro & Finnan, LLC

(30) **Foreign Application Priority Data**

Jul. 27, 2018 (EM) 005516440

(51) **LOC (13) Cl.** **28-07**

(52) **U.S. Cl.**
USPC **D28/7**

(58) **Field of Classification Search**
USPC D28/7, 8, 99; D19/115, 116, 117
CPC A45D 34/04; A45D 40/04; A45D 40/24
See application file for complete search history.

(56) **References Cited**

U.S. PATENT DOCUMENTS

3,342,363 A	9/1967	Thrush	
D253,039 S	10/1979	White	
D293,832 S	1/1988	White et al.	
D335,086 S	4/1993	Wacker	
5,803,638 A *	9/1998	Gueret	A45D 40/267 401/122
D403,469 S	12/1998	Driscoll	

(57) **CLAIM**

The ornamental design for an eyeliner, as shown and described.

DESCRIPTION

FIG. 1: Front
FIG. 2: Top Perspective
FIG. 3: Bottom Perspective
FIG. 4: Top
FIG. 5: Bottom
FIG. 6: Perspective with Applicator Cap removed from Bottle; and,
FIG. 7: Enlarged Detail Perspective showing surface texture of the eyeliner grip.
The broken lines depicting the bottom of the bottle portion of the eyeliner are for illustrative purpose and form no part of the claim.

1 Claim, 7 Drawing Sheets



(56)

References Cited

U.S. PATENT DOCUMENTS

2017/0209894 A1 7/2017 Sporrer
2019/0298032 A1* 10/2019 Mahmood A45D 40/18

* cited by examiner

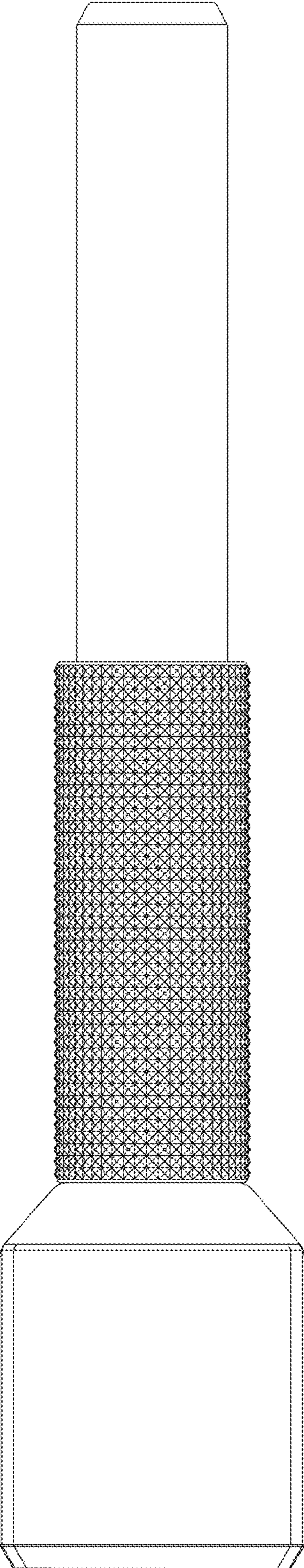


Fig. 1

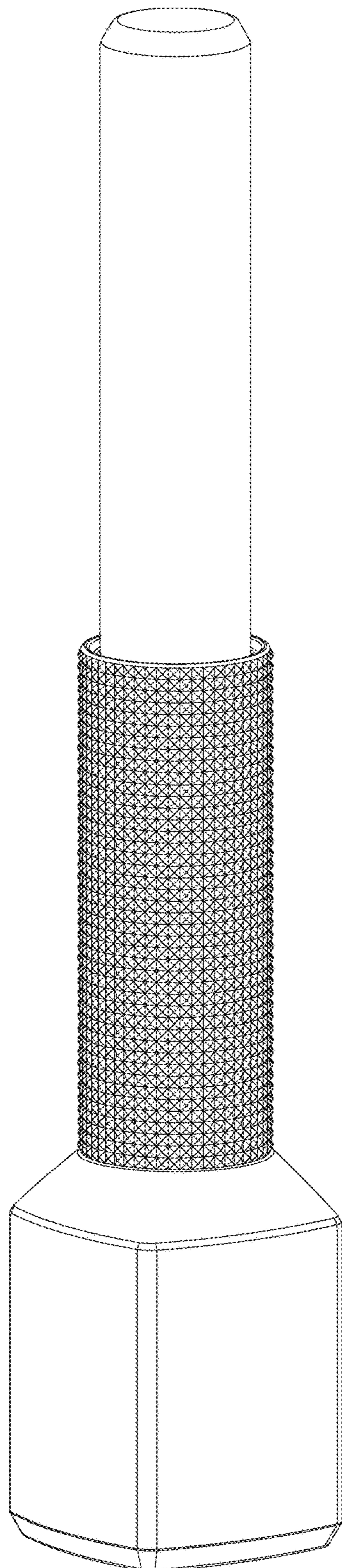


Fig. 2

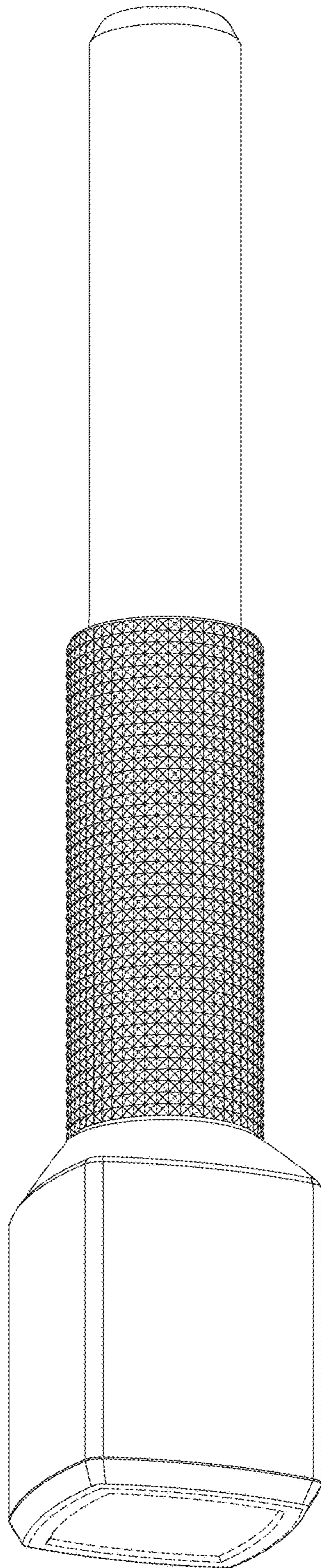


Fig. 3

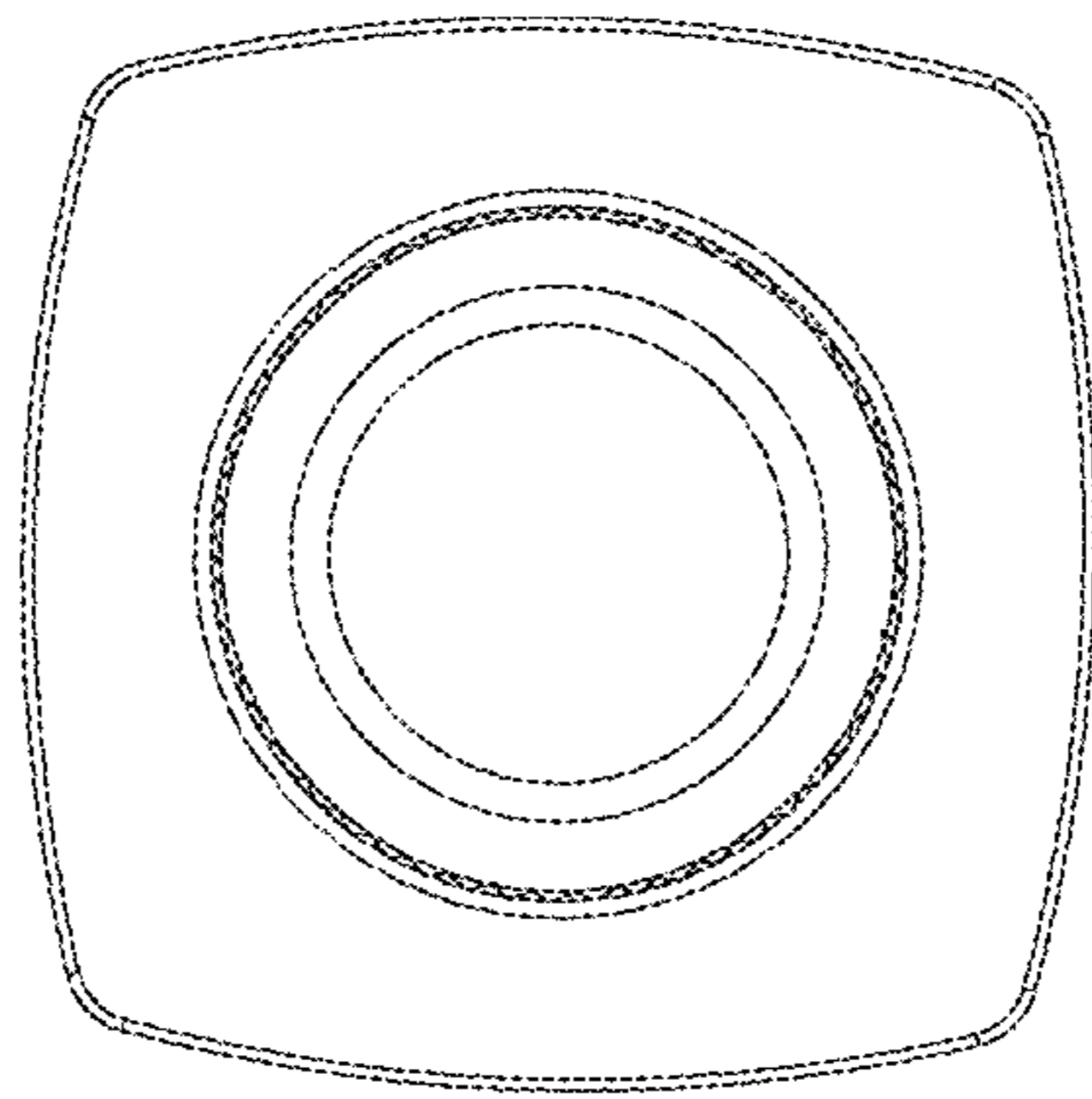


Fig. 4

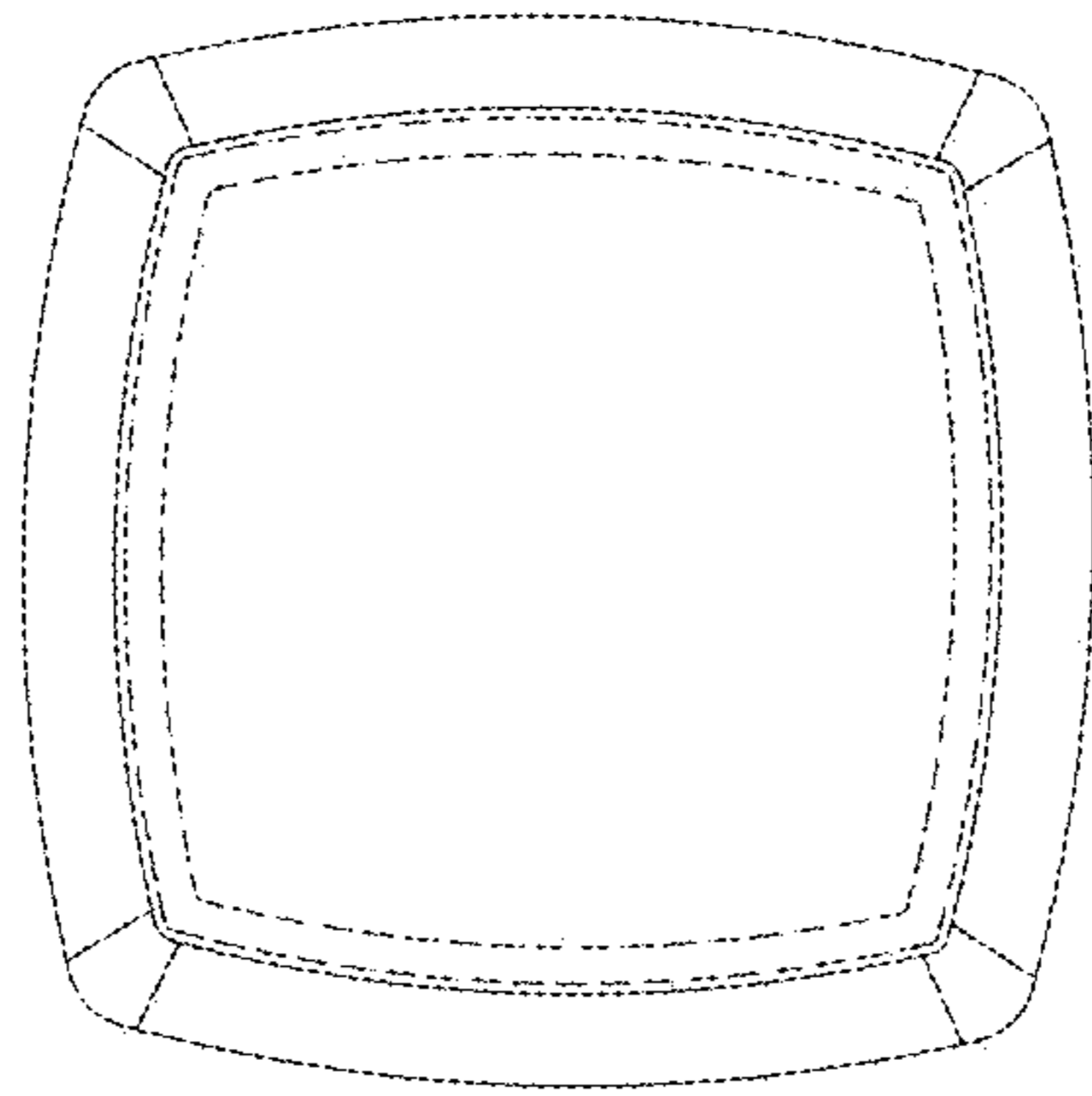


Fig. 5

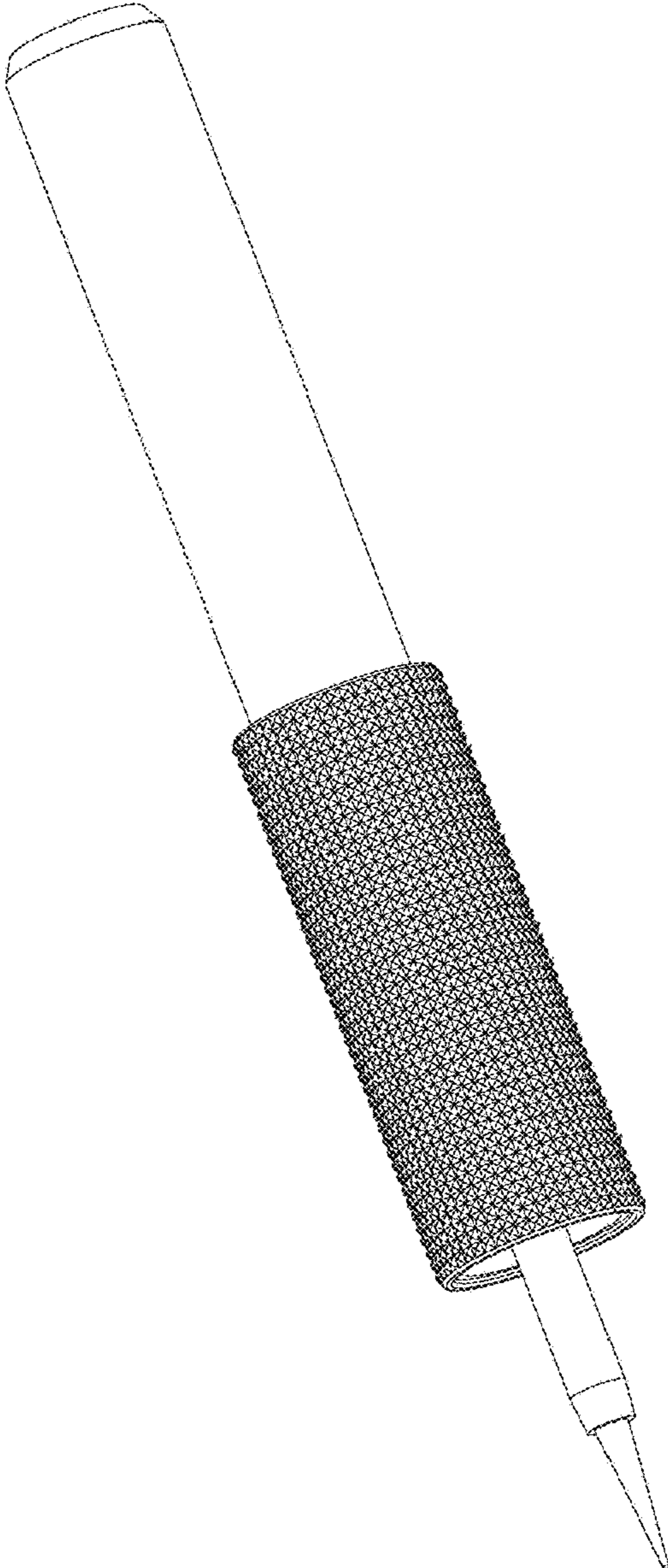
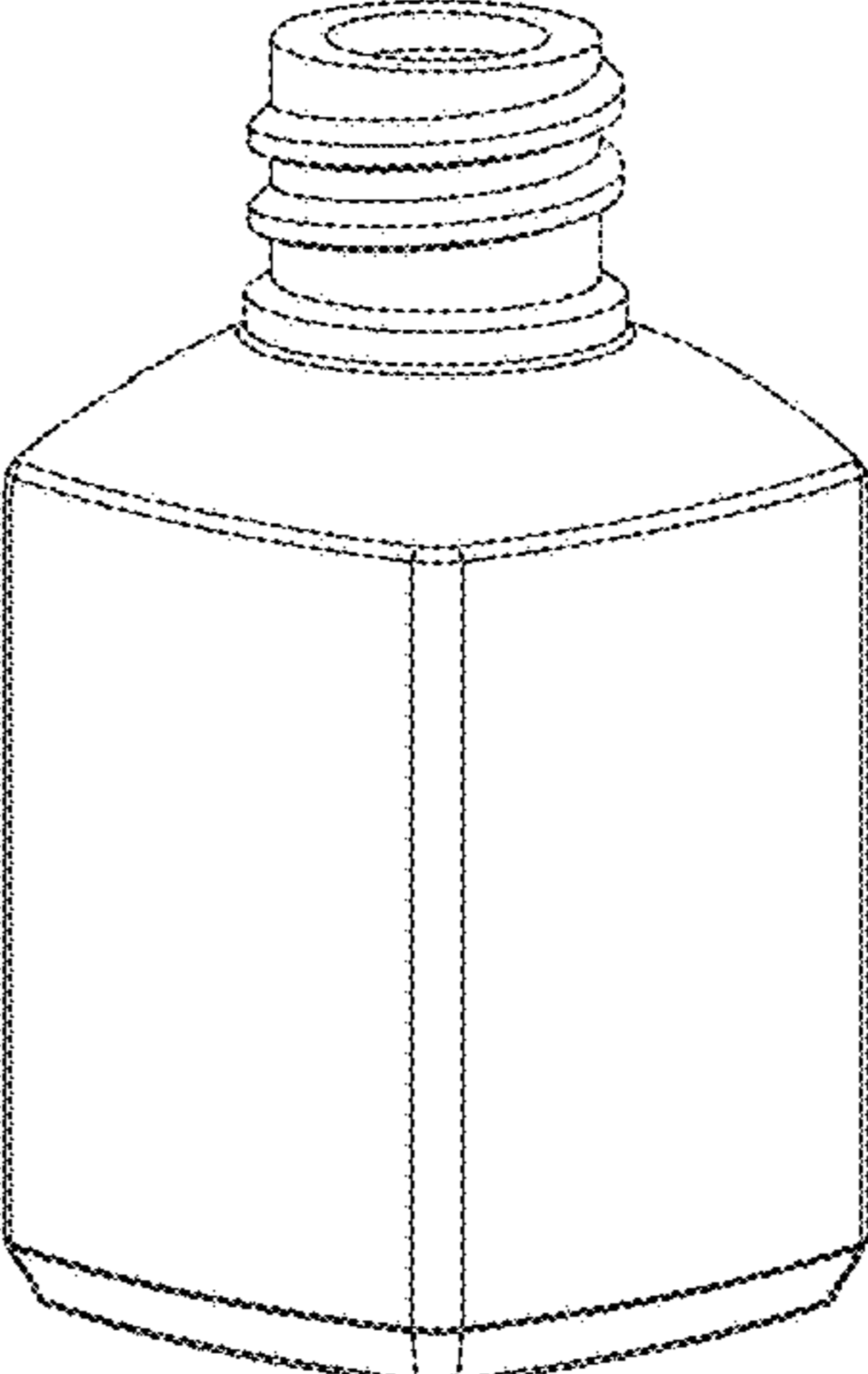


Fig. 6



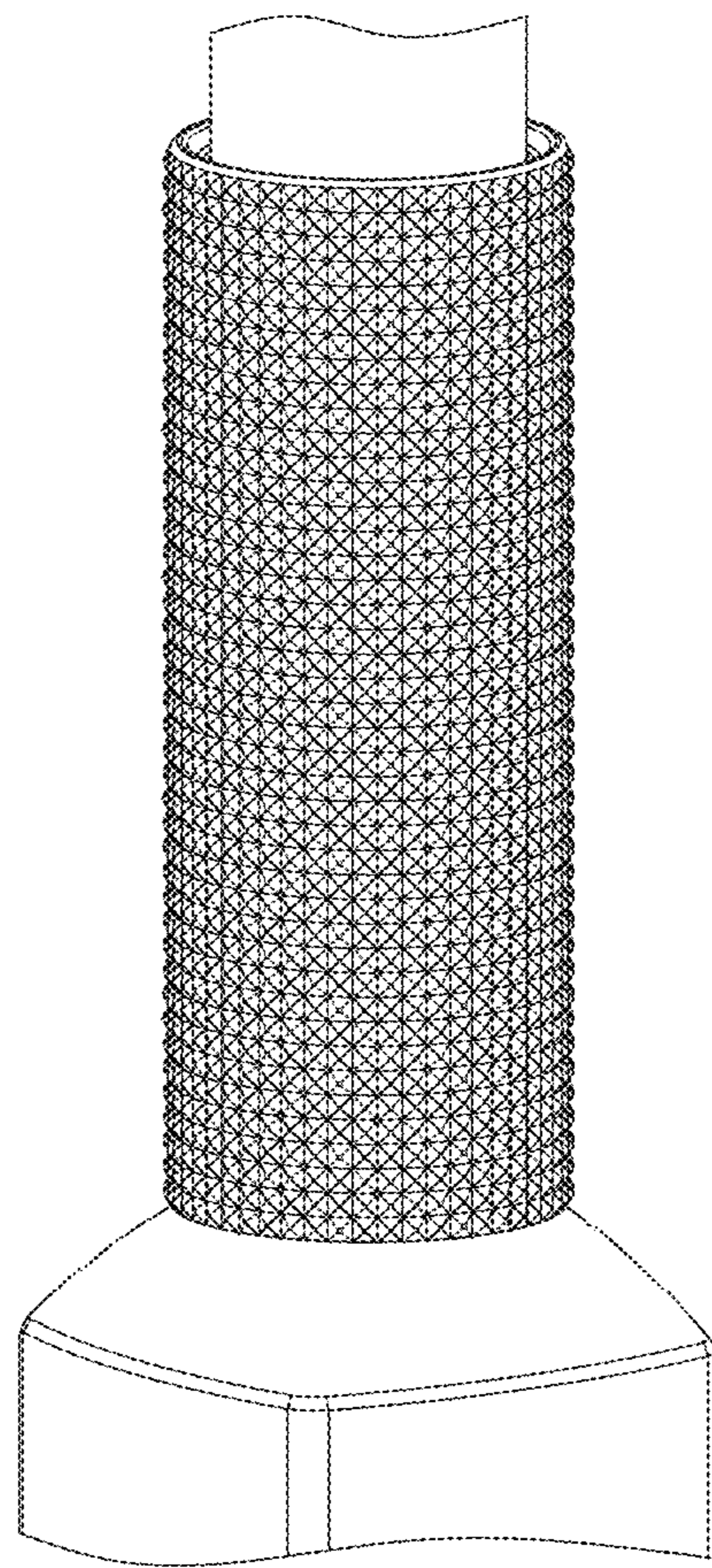


Fig. 7