



US00D957050S

(12) **United States Design Patent**
Moghaddam et al.

(10) **Patent No.:** **US D957,050 S**
(45) **Date of Patent:** **** Jul. 5, 2022**

(54) **ELECTRONIC VAPORIZATION DEVICE**

(71) Applicant: **Pascal Holdings, LLC**, Corona Del Mar, CA (US)

(72) Inventors: **Mehran M. Moghaddam**, Corona Del Mar, CA (US); **Manuel Alberto Alvarez**, Corona Del Mar, CA (US)

(73) Assignee: **Pascal Holdings, LLC**, Corona Del Mar, CA (US)

(**) Term: **15 Years**

(21) Appl. No.: **29/788,449**

(22) Filed: **May 27, 2021**

Related U.S. Application Data

(62) Division of application No. 29/674,646, filed on Dec. 21, 2018, now Pat. No. Des. 921,281.

(51) **LOC (13) Cl.** **27-02**

(52) **U.S. Cl.**
USPC **D27/162**

(58) **Field of Classification Search**
USPC D27/162, 100, 103, 163–165, 167, 169, D27/171, 172, 183, 185–194, 101, D27/174–176, 185–192; D23/360, 366; D24/110, 110.5; D13/103; D7/416, 417; D9/516, 522, 523, 572
CPC A24F 47/008; A24F 47/006; A24F 47/002; A24F 47/004; A61M 15/00; A61M 15/06; A61M 15/0021
See application file for complete search history.

(56) **References Cited**

U.S. PATENT DOCUMENTS

D590,990 S † 4/2009 Hon D27/101
D590,991 S † 4/2009 Hon D27/101

D685,522 S † 7/2013 Potter D27/101
D749,777 S † 2/2016 Quesada D27/101
D757,352 S † 5/2016 Bagai D27/101
D758,650 S † 6/2016 Wu D27/101
D762,001 S † 7/2016 Liu D27/101

(Continued)

FOREIGN PATENT DOCUMENTS

JP D1587874 † 10/2017
JP D1597423 S † 2/2018

(Continued)

Primary Examiner — Rebecca Tsehaye

(74) *Attorney, Agent, or Firm* — Knobbe Martens Olson & Bear, LLP

(57) **CLAIM**

The ornamental design of an electronic vaporization device, as shown and described.

DESCRIPTION

FIG. 1 is a top, right, front perspective view of an electronic vaporization device showing our new design.

FIG. 2 is a top, left, back perspective view of the device as shown in FIG. 1.

FIG. 3 is a top view of the device as shown in FIG. 1.

FIG. 4 is a left view of the device as shown in FIG. 1.

FIG. 5 is a right view of the device as shown in FIG. 1.

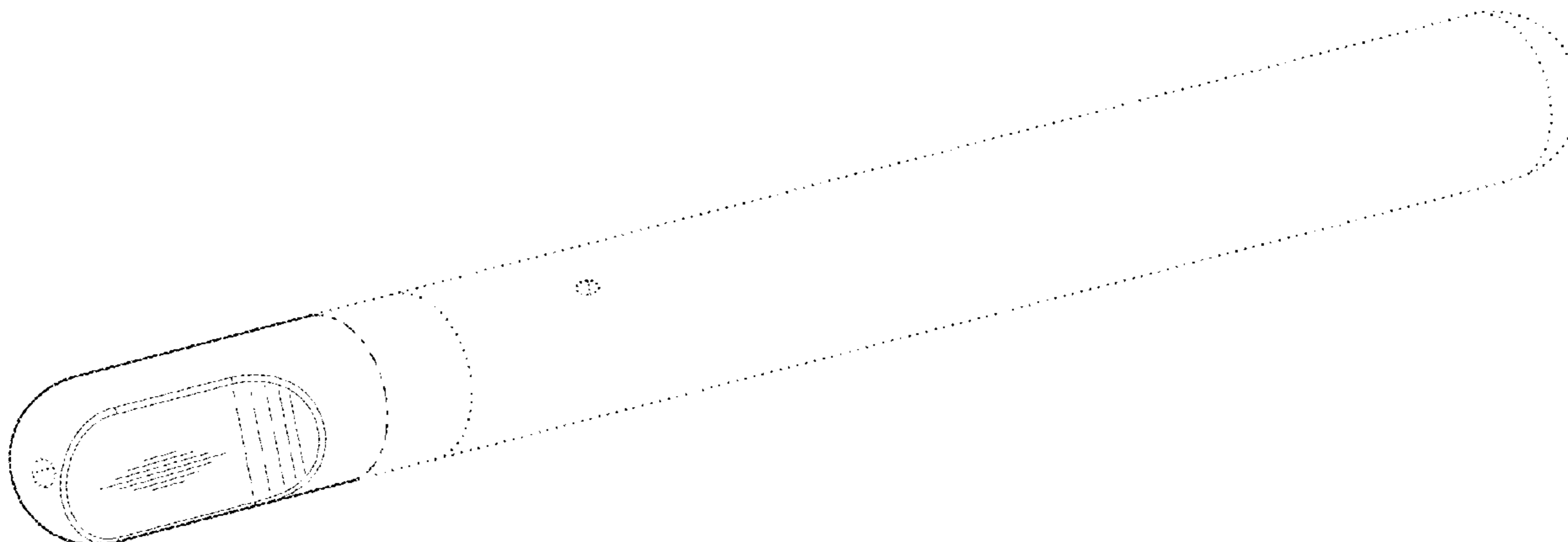
FIG. 6 is a front end view of the device as shown in FIG. 1.

FIG. 7 is a back end view of the device as shown in FIG. 1; and,

FIG. 8 is a bottom view of the device as shown in FIG. 1.

The dotted lines in the drawings depict portions of the electronic vaporization device that form no part of the claimed design. The dot-dash lines in the drawings define the boundary of the claim and the claimed subject matter extends to the boundary but does not include the boundary.

1 Claim, 4 Drawing Sheets



(56)

References Cited

U.S. PATENT DOCUMENTS

D768,915	S	‡	10/2016	Wright	D27/101
D792,021	S	‡	7/2017	Beer	D27/101
D799,112	S	‡	10/2017	Qiu	D27/101
D806,310	S	*	12/2017	McGarry	D27/101
D813,447	S	‡	3/2018	Watson	D27/162
D870,369	S	*	12/2019	Greenbaum	D27/162
D871,665	S	‡	12/2019	Choe	D27/162
D876,004	S	*	2/2020	Wang	D27/101
D876,719	S	‡	2/2020	Vermette	D27/162
D880,055	S	‡	3/2020	Luo	D27/162
D883,566	S	‡	5/2020	Filleul	D27/162
D902,476	S	*	11/2020	Liu	D27/162
D913,577	S	*	3/2021	Ouyang	D27/162
D918,466	S	*	5/2021	Yan	D27/162
D919,880	S	*	5/2021	Chen	D27/162
D921,281	S	*	6/2021	Moghaddam	D27/162
D921,971	S	*	6/2021	Wang	D27/162
D921,980	S	*	6/2021	Xu	D27/172
D927,056	S	*	8/2021	Zeng	D27/162

FOREIGN PATENT DOCUMENTS

JP	D1597604	‡	2/2018
KR	3006563270000	‡	8/2012
KR	3006698730001	‡	12/2012
KR	3008035710000	‡	7/2015
KR	3009232170000	‡	9/2017
KR	3009325650000	‡	11/2017
KR	3009325660000	‡	11/2017
KR	3009434210000	‡	2/2018
KR	3009626130000	‡	7/2018

* cited by examiner

‡ imported from a related application

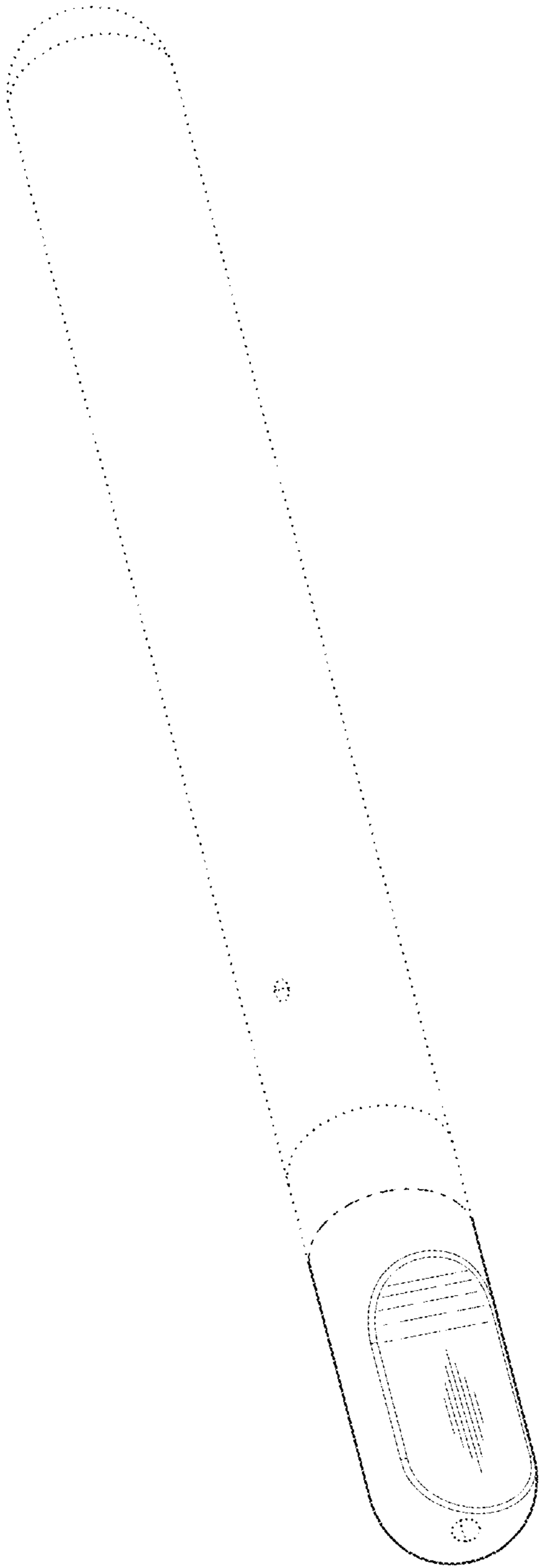


FIG. 1

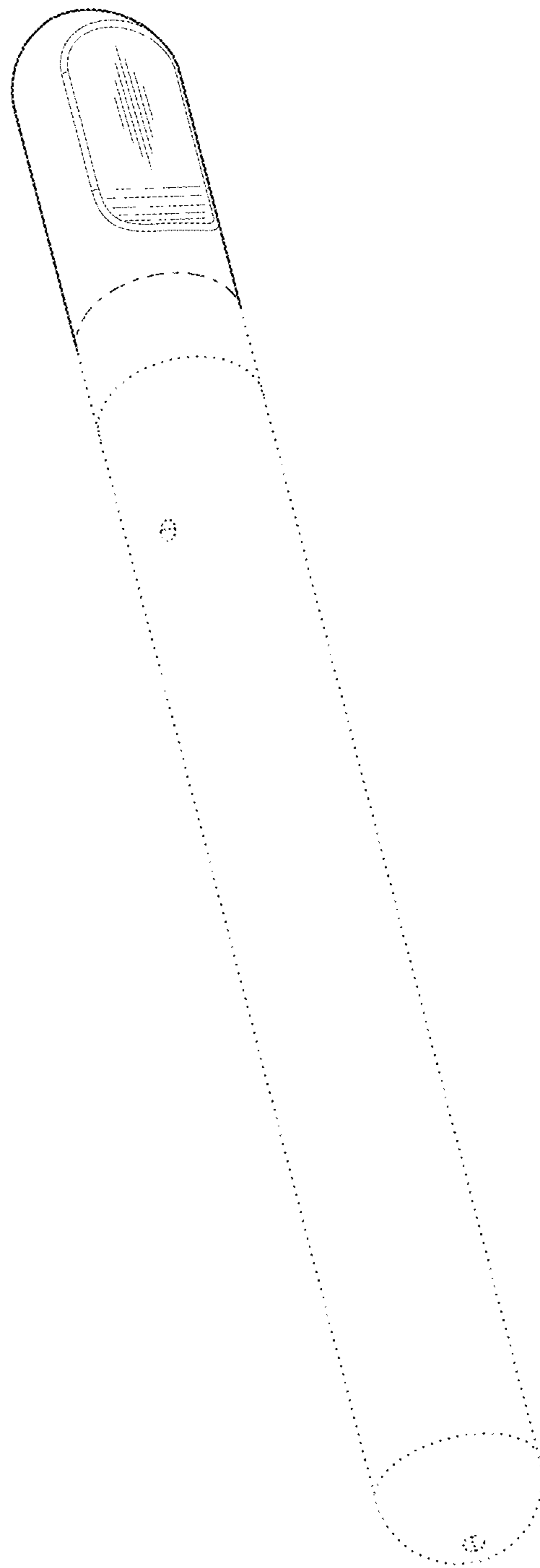


FIG. 2

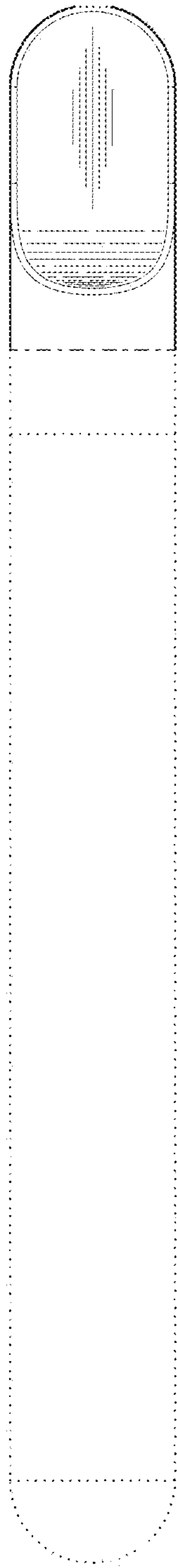


FIG. 3

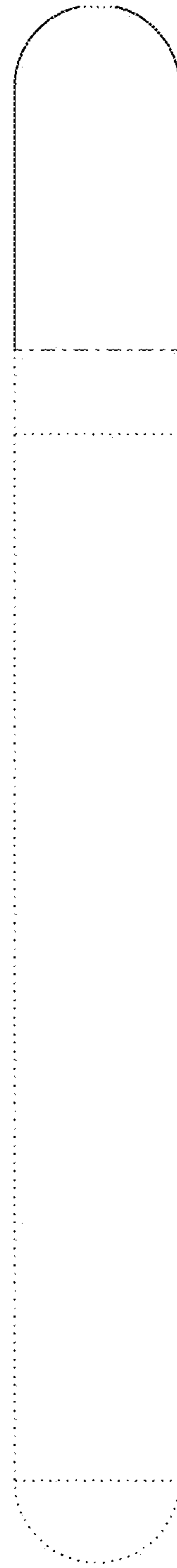


FIG. 4

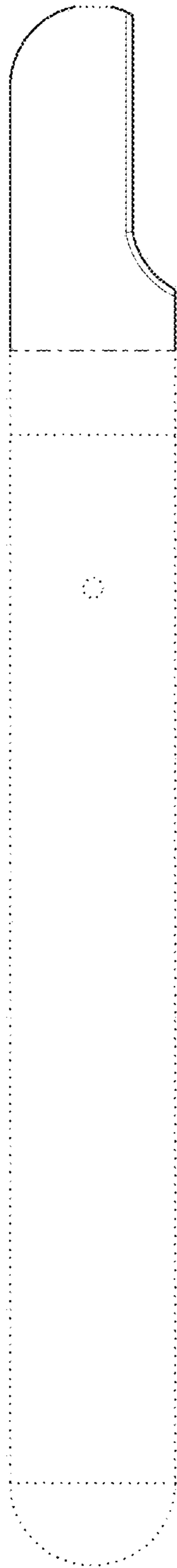


FIG. 5

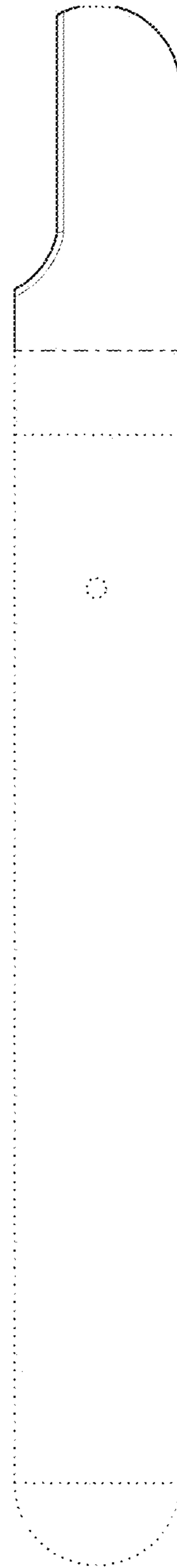


FIG. 6

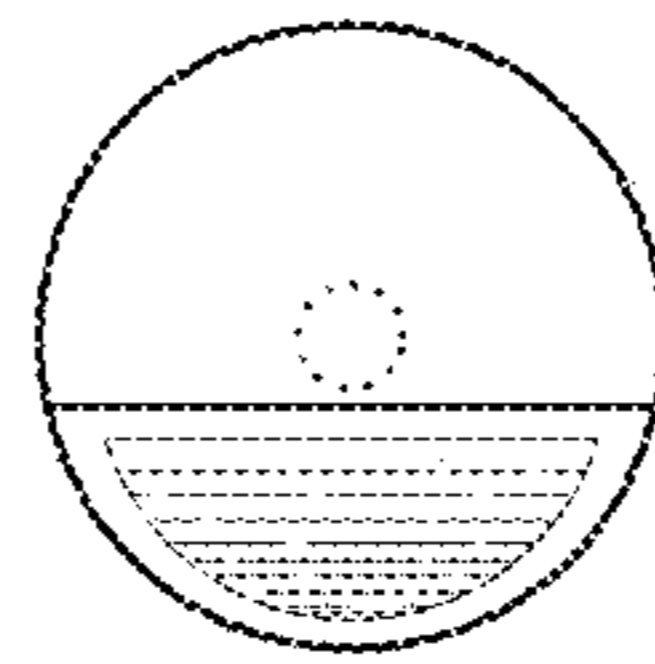


FIG. 7

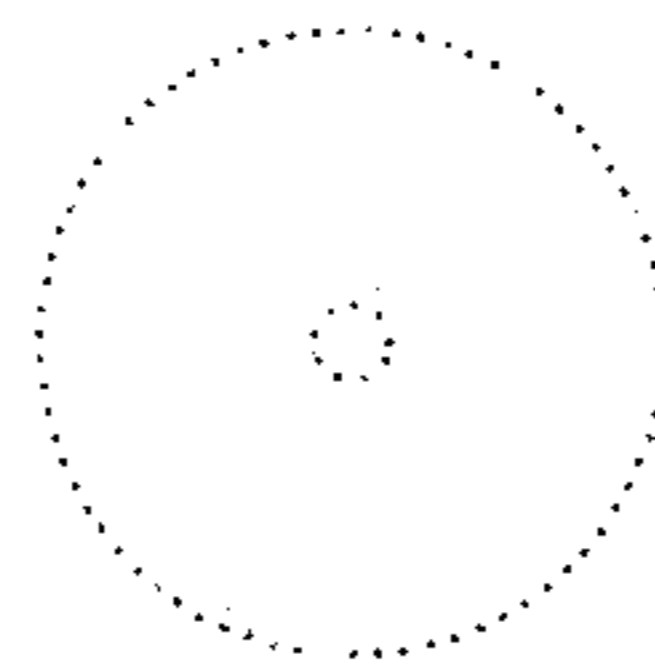


FIG. 8