



US00D957044S

(12) **United States Design Patent** (10) **Patent No.:** **US D957,044 S**
Kim et al. (45) **Date of Patent:** **** Jul. 5, 2022**

(54) **CARTRIDGE FOR ELECTRONIC CIGARETTE**
(71) Applicant: **KT&G Corporation**, Daejeon (KR)
(72) Inventors: **Min Chui Kim**, Yongin-si (KR); **Su Mi Shin**, Goyang-si (KR)
(73) Assignee: **KT&G CORPORATION**, Daejeon (KR)
(**) Term: **15 Years**

D888,329 S * 6/2020 Qiu D27/167
D891,691 S * 7/2020 Chen D27/162
D893,094 S * 8/2020 Wang D27/162
D893,096 S * 8/2020 Leon Duque D27/194
D898,279 S * 10/2020 Pierce D27/162
D902,480 S * 11/2020 Chen D27/194
D912,309 S * 3/2021 Bowen D27/162
D921,284 S * 6/2021 Belisle D27/162
D923,864 S * 6/2021 Carlberg D27/162
D925,113 S * 7/2021 Kim D27/162
D927,052 S * 8/2021 Qiu D27/162
D928,394 S * 8/2021 Jones D27/162
D929,033 S * 8/2021 Lomas D27/162

(Continued)

(21) Appl. No.: **29/695,845**
(22) Filed: **Jun. 21, 2019**
(30) **Foreign Application Priority Data**
Dec. 24, 2018 (KR) 30-2018-0061244
(51) **LOC (13) Cl.** **27-02**
(52) **U.S. Cl.**
USPC **D27/162**
(58) **Field of Classification Search**
USPC D27/162, 100, 101, 163–165, 172, 183,
D27/185–192, 194; D24/110, 110.5;
D23/366; D13/103, 107–109
CPC A24F 47/002; A24F 47/006; A24F 47/008;
A61M 15/00; A61M 15/06
See application file for complete search history.

(56) **References Cited**
U.S. PATENT DOCUMENTS
D842,536 S * 3/2019 Bowen D27/167
D844,235 S * 3/2019 Cividi D27/167
D849,996 S * 5/2019 Duque D27/194
D858,868 S * 9/2019 Bowen D27/162
D865,279 S * 10/2019 Pino D27/172
D870,368 S * 12/2019 Leon Duque D27/162
D870,373 S * 12/2019 Greenbaum D27/169
D881,460 S * 4/2020 Han D27/162
D887,632 S * 6/2020 Duque D27/167

OTHER PUBLICATIONS

Multipack Vaping Device, By: JUUL found on line Dec. 3, 2021
[https://en.wikipedia.org/wiki/File:Juul_flavour_multipack_\(cropped\).jpg](https://en.wikipedia.org/wiki/File:Juul_flavour_multipack_(cropped).jpg) Dec. 27, 2018.*

Primary Examiner — Rebecca Tsehaye
(74) *Attorney, Agent, or Firm* — Novick, Kim & Lee, PLLC; Sang Ho Lee; Hyun Woo Shin

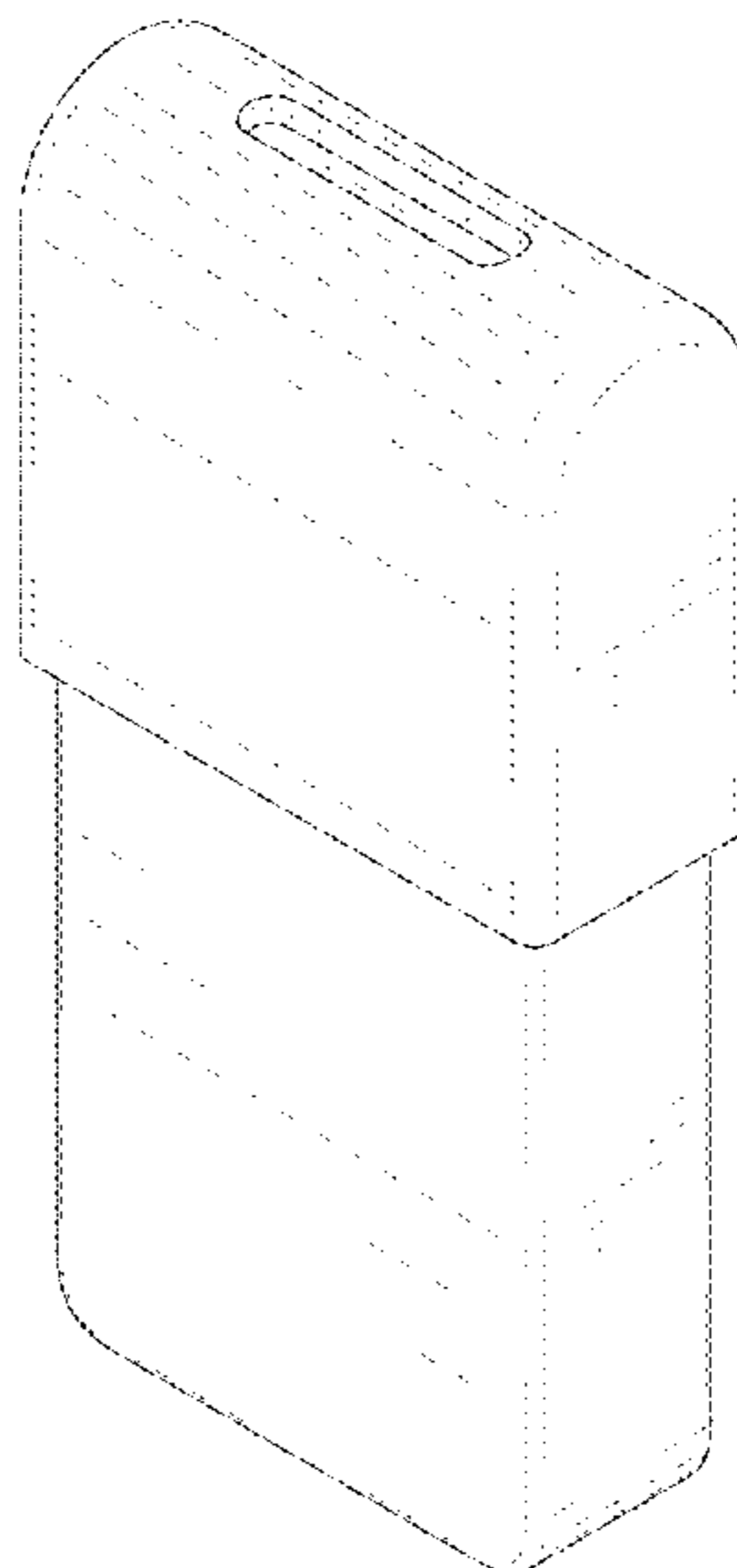
(57) **CLAIM**

We claim the ornamental design for a cartridge for electronic cigarette, shown and described.

DESCRIPTION

FIG. 1 is perspective view of a cartridge for electronic cigarette, showing our new design;
FIG. 2 is a front elevational view thereof;
FIG. 3 is a rear elevational view thereof;
FIG. 4 is a left side elevational view thereof;
FIG. 5 is a right side elevational view thereof;
FIG. 6 is a top plan view thereof; and,
FIG. 7 is a bottom plan view thereof.
The broken lines in the drawings depict portions of the cartridge for electronic cigarette that form no part of the claimed design.

1 Claim, 6 Drawing Sheets



(56)

References Cited

U.S. PATENT DOCUMENTS

D929,034 S	*	8/2021	Li	D27/162
D930,236 S	*	9/2021	Fornarelli	D27/167
D932,094 S	*	9/2021	Laidlaw	D27/162
D933,285 S	*	10/2021	Wang	D27/162
D933,286 S	*	10/2021	Weiss	D27/162
D937,477 S	*	11/2021	Li	D27/162

* cited by examiner

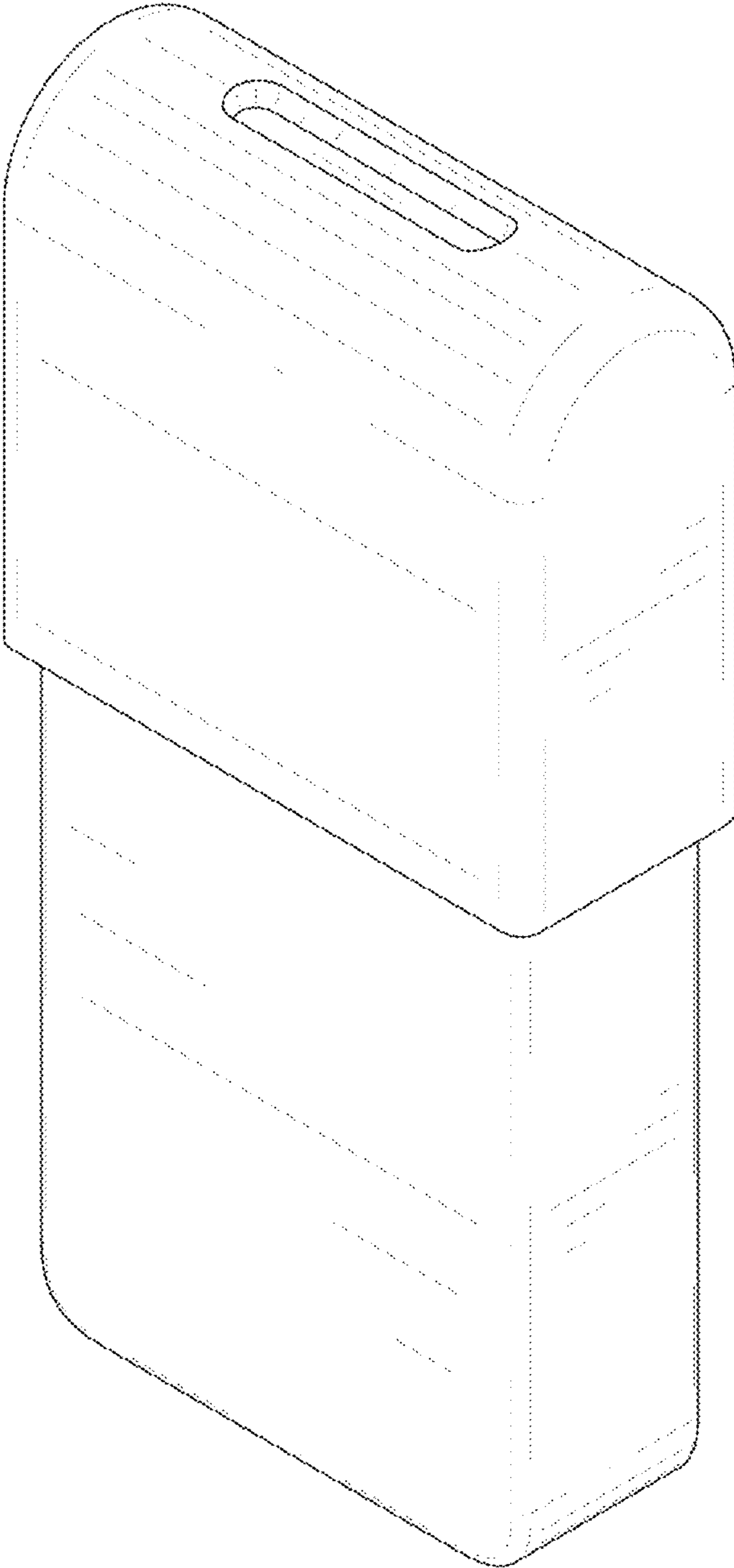


FIG. 1

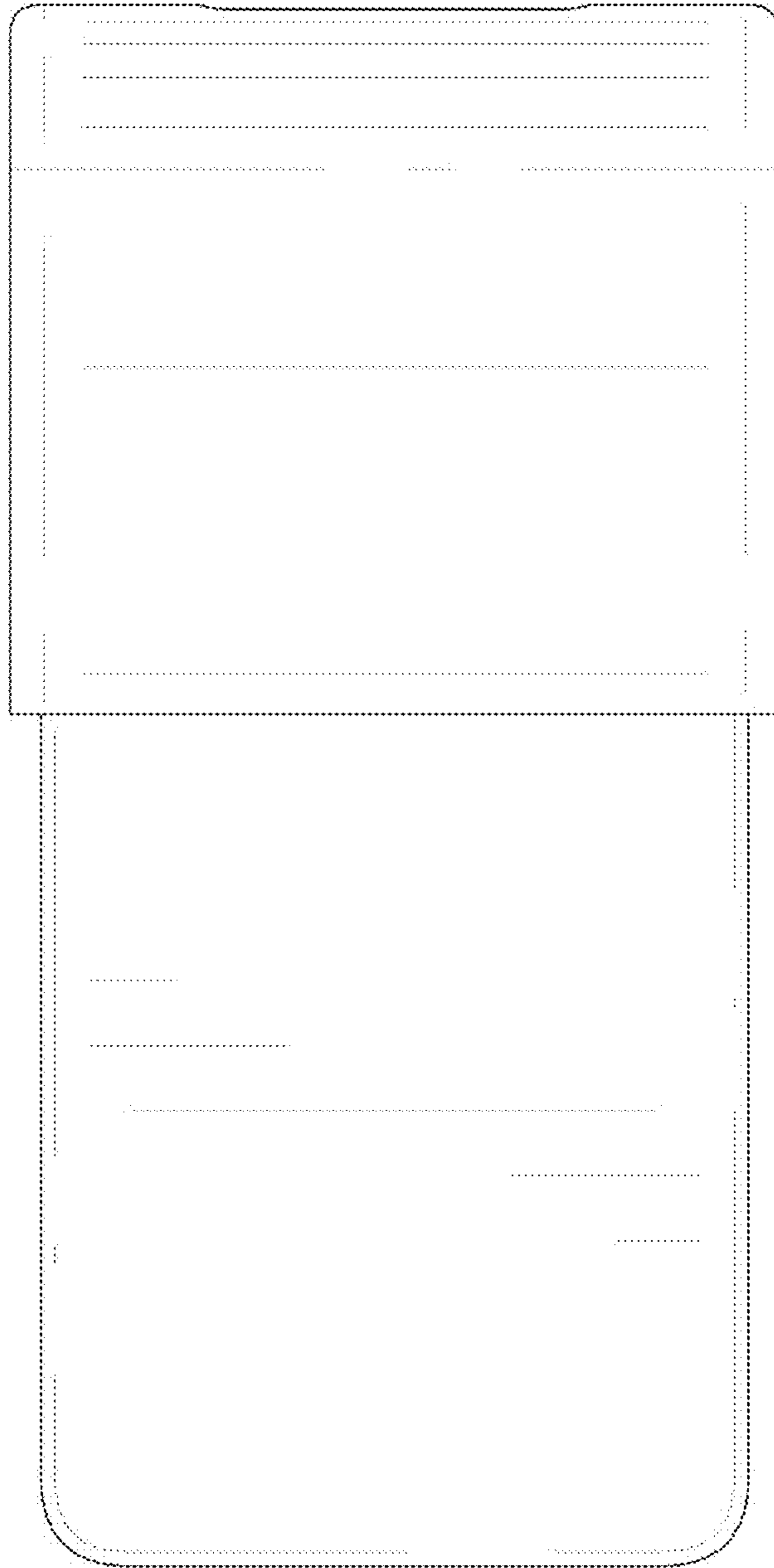


FIG. 2

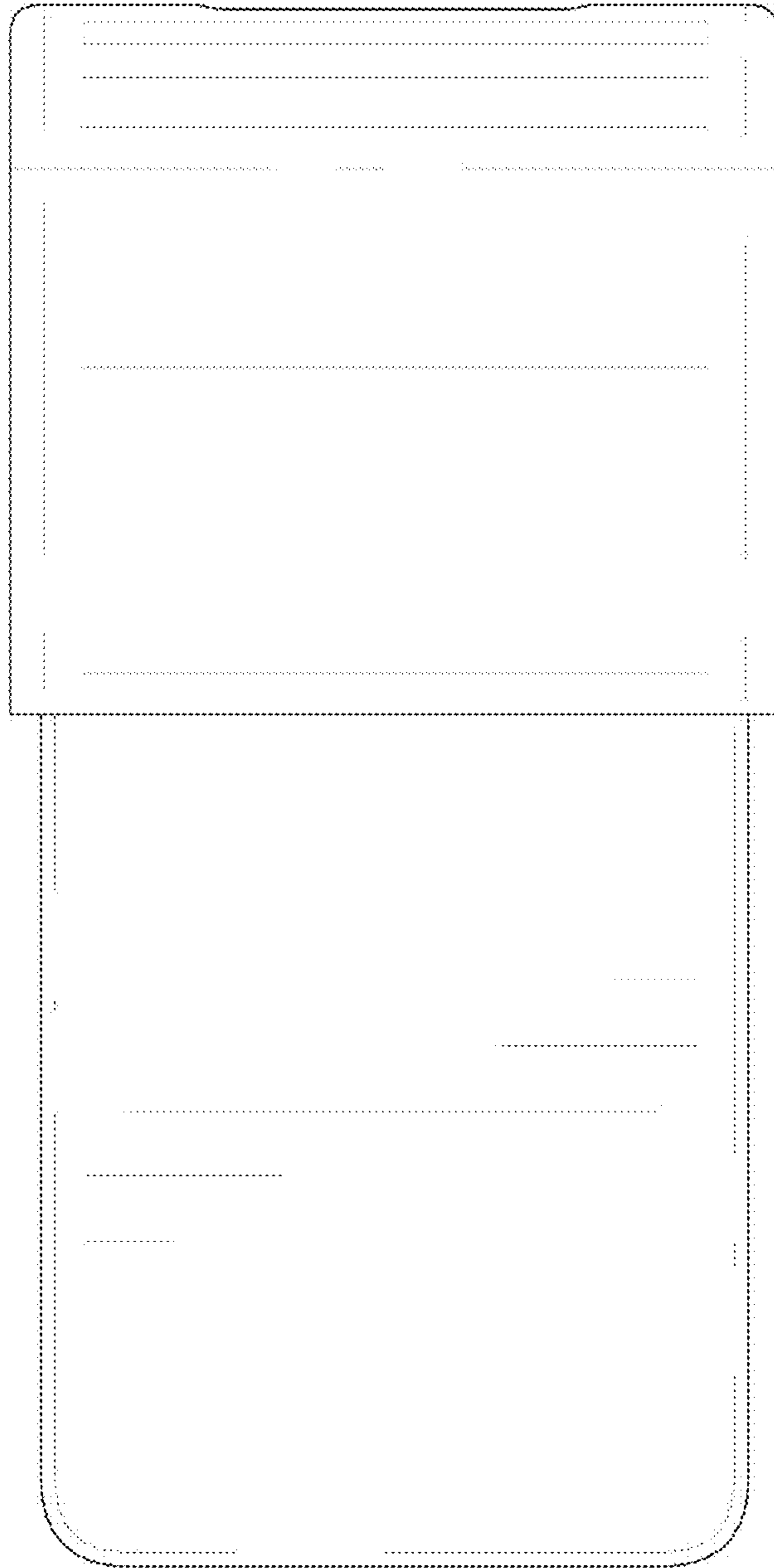


FIG. 3

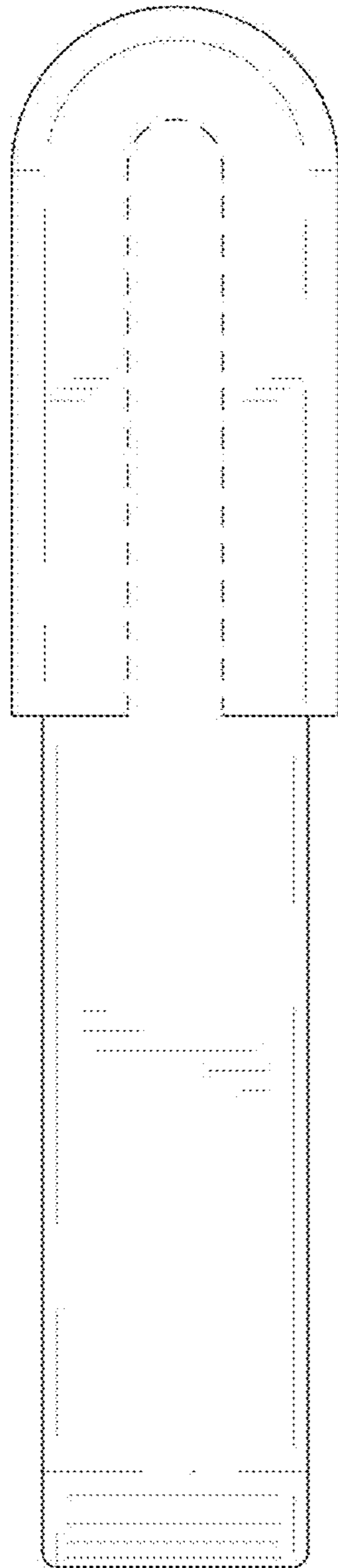


FIG. 4

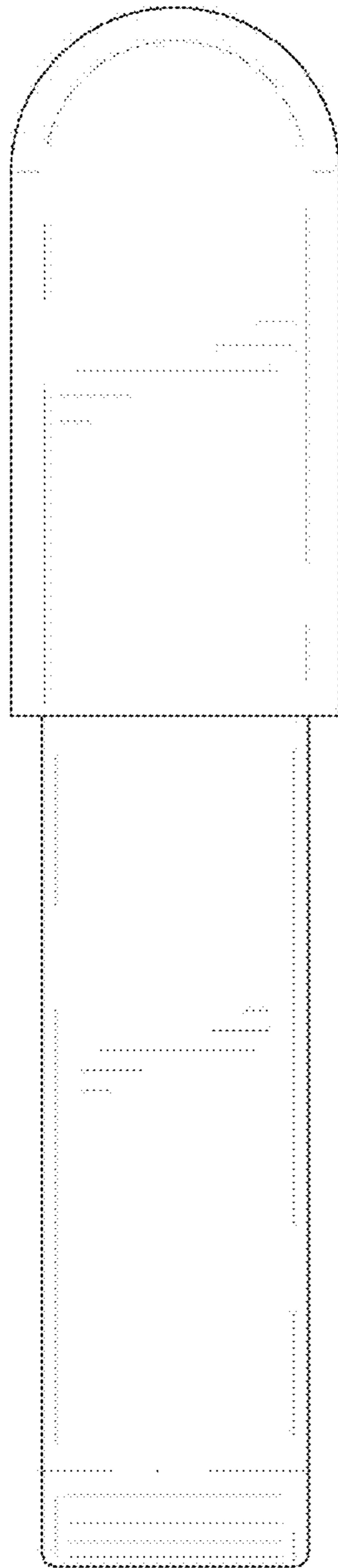


FIG. 5

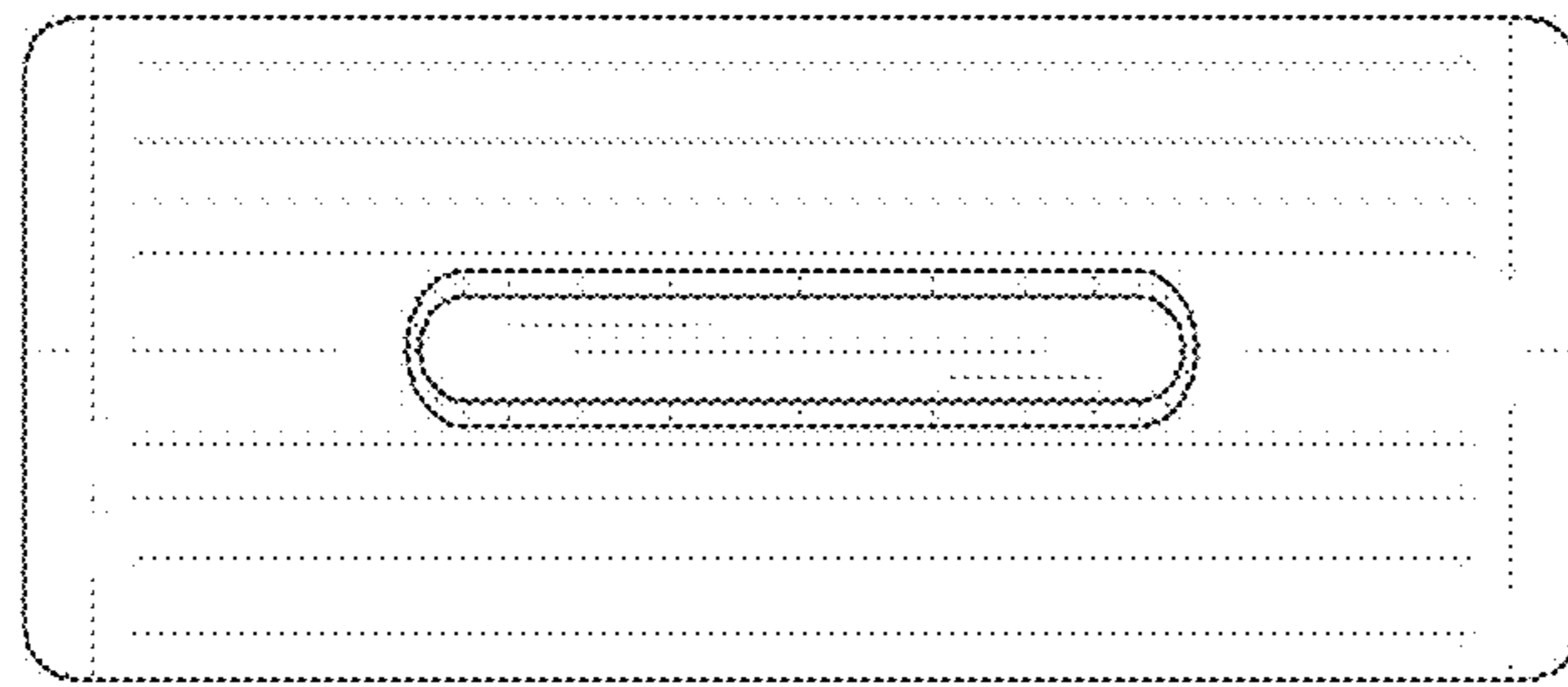


FIG. 6

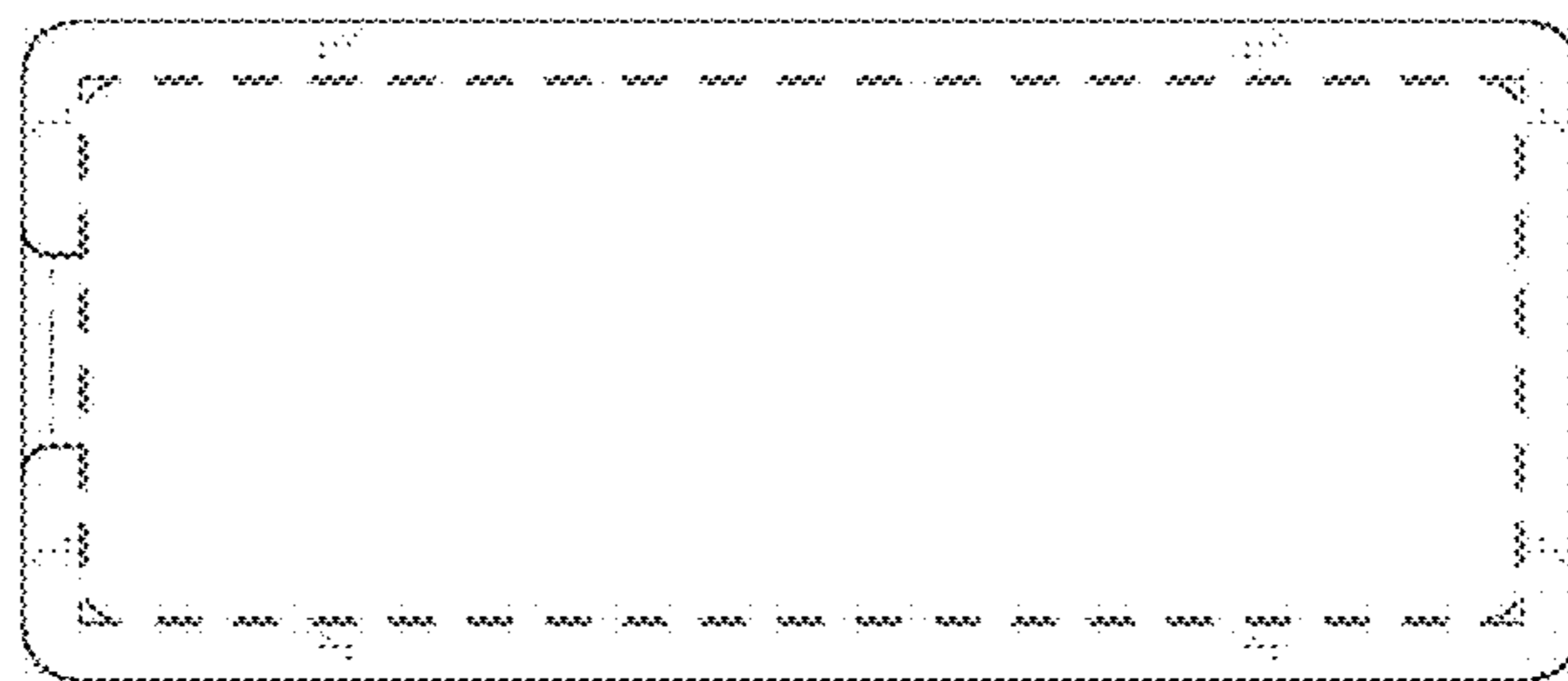


FIG. 7