



US00D957043S

(12) **United States Design Patent**
McCracken

(10) **Patent No.:** **US D957,043 S**

(45) **Date of Patent:** **** Jul. 5, 2022**

- (54) **HOLDER FOR VAPING POD SYSTEM**
- (71) Applicant: **Mark S. McCracken**, Midlothian, VA
(US)
- (72) Inventor: **Mark S. McCracken**, Midlothian, VA
(US)
- (**) Term: **15 Years**
- (21) Appl. No.: **29/677,332**
- (22) Filed: **Jan. 18, 2019**
- (51) **LOC (13) Cl.** **27-02**
- (52) **U.S. Cl.**
USPC **D27/162**
- (58) **Field of Classification Search**
USPC D27/162, 100, 101, 163–165, 172, 183,
D27/185–194; D23/360; D24/110,
D24/100.5; D3/202, 215, 229; D12/411,
D12/419
CPC A24F 47/00; A24F 47/02; A24F 47/04;
A24F 47/08; A61M 15/06
See application file for complete search history.

- D851,238 S * 6/2019 Ratner A61M 16/06
D24/110
- D857,880 S * 8/2019 Lau D24/110
- D874,057 S * 1/2020 Tu D27/162
- D906,229 S * 12/2020 Han D12/419
- D909,665 S * 2/2021 Volodarsky D27/162

* cited by examiner

Primary Examiner — Rebecca Tsehaye
(74) *Attorney, Agent, or Firm* — Patent Law of Virginia,
PLLC; Brian J. Teague

(57) **CLAIM**

I claim the ornamental design for a holder for a vaping pod system, as shown and described.

DESCRIPTION

FIG. 1 is a perspective view of a holder for a vaping pod system.
FIG. 2 is a right side view thereof.
FIG. 3 is a left side view thereof.
FIG. 4 is a front view thereof.
FIG. 5 is a rear view thereof.
FIG. 6 is a top view thereof.
FIG. 7 is a bottom view thereof; and,
FIG. 8 is a view thereof along its longitudinal axis.

The broken lines in the drawings depict portions of the holder for vaping pod system that form no part of the claimed design.

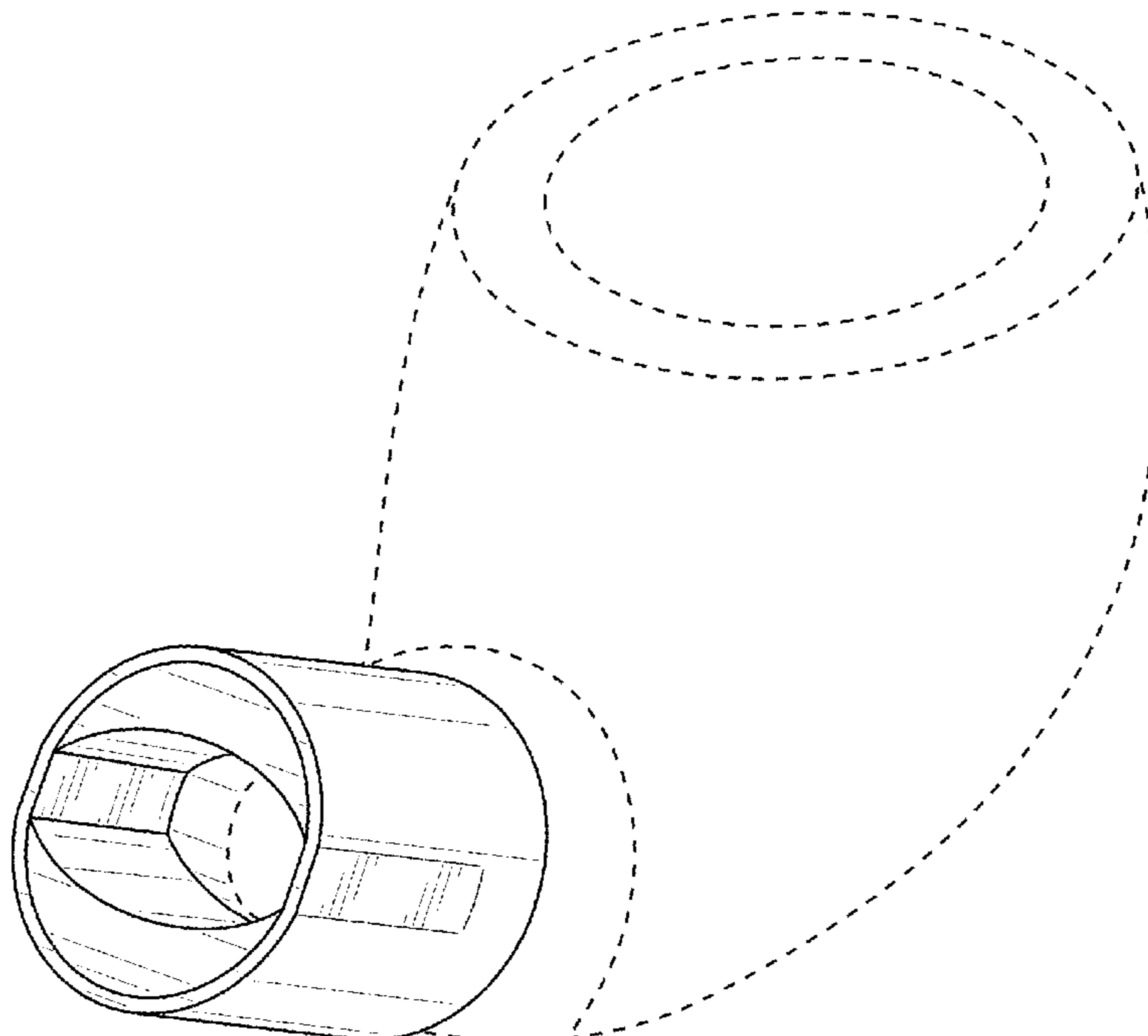
The intended use of the claimed holder for a vaping pod system is to receive and hold a distal end of a vaping pod system. A vaping pod system is a vaping device that holds a cartridge of vaping liquid. An enlarged grasping portion (shown but unclaimed) attached to the holder for a vaping pod system enables a user to readily grasp and hold the vaping pod system during use.

(56) **References Cited**

U.S. PATENT DOCUMENTS

- D654,010 S * 2/2012 Maks D12/419
- D657,446 S * 4/2012 Herfort D24/110
- D700,692 S * 3/2014 Engelhardt D23/360
- D708,484 S * 7/2014 Bishop D7/624.2
- D802,837 S * 11/2017 Thompson D27/186
- D809,998 S * 2/2018 Dabel B60R 11/00
D12/419
- D834,703 S * 11/2018 Babbage D24/110
- D838,473 S * 1/2019 Stevens D3/202
- D840,020 S * 2/2019 Howgill D24/110

1 Claim, 8 Drawing Sheets



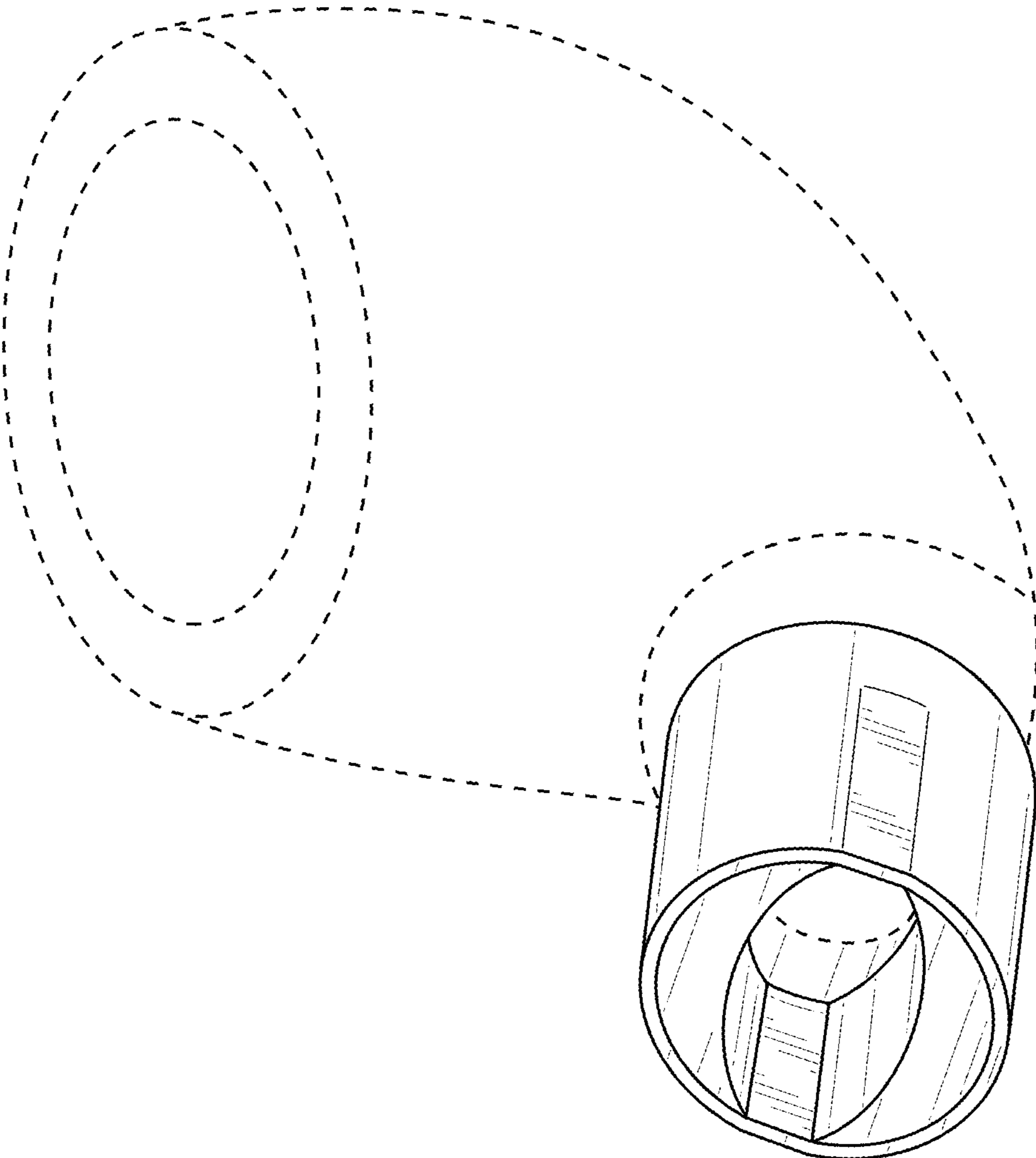


FIG. 1

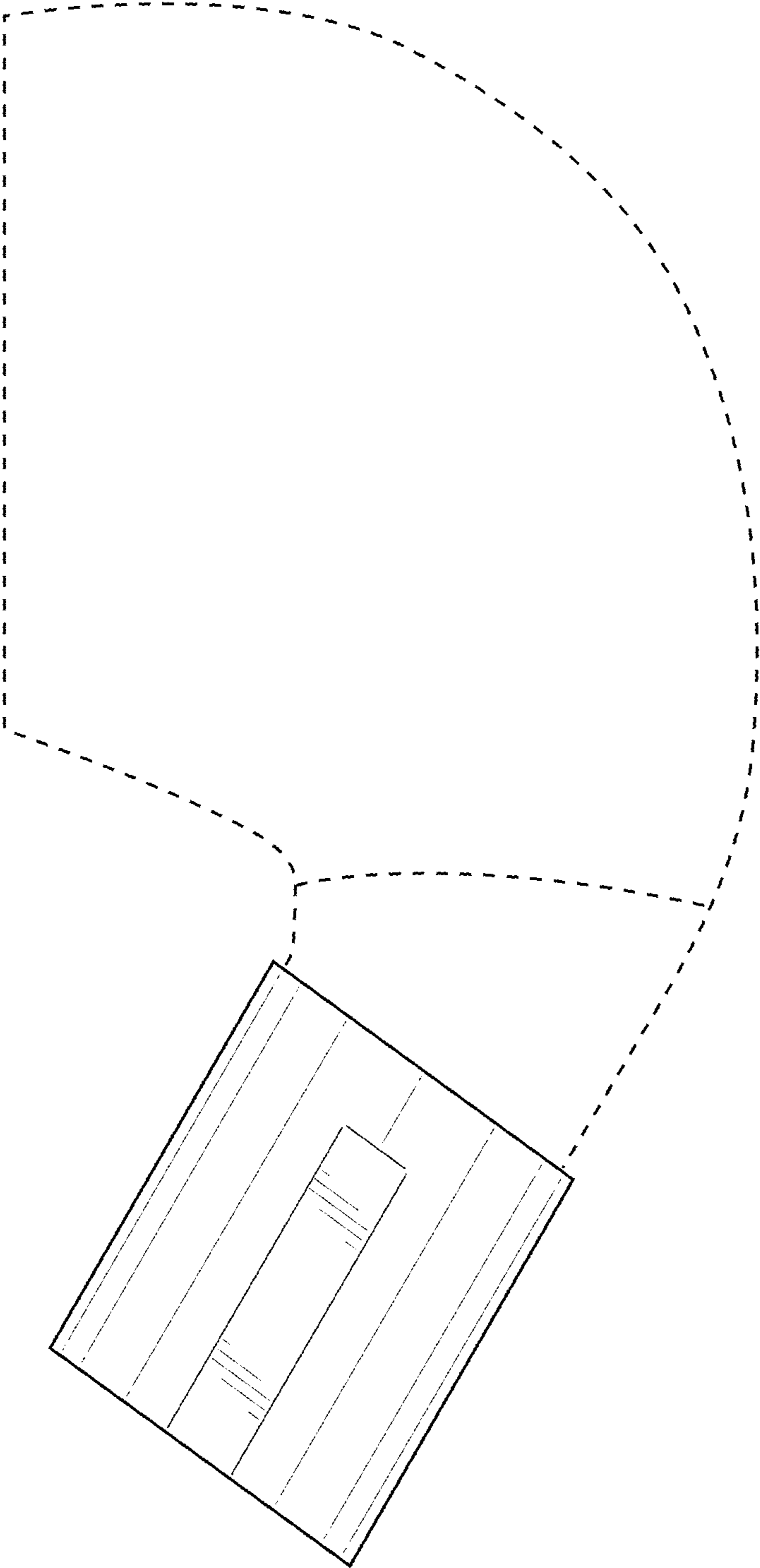


FIG. 2

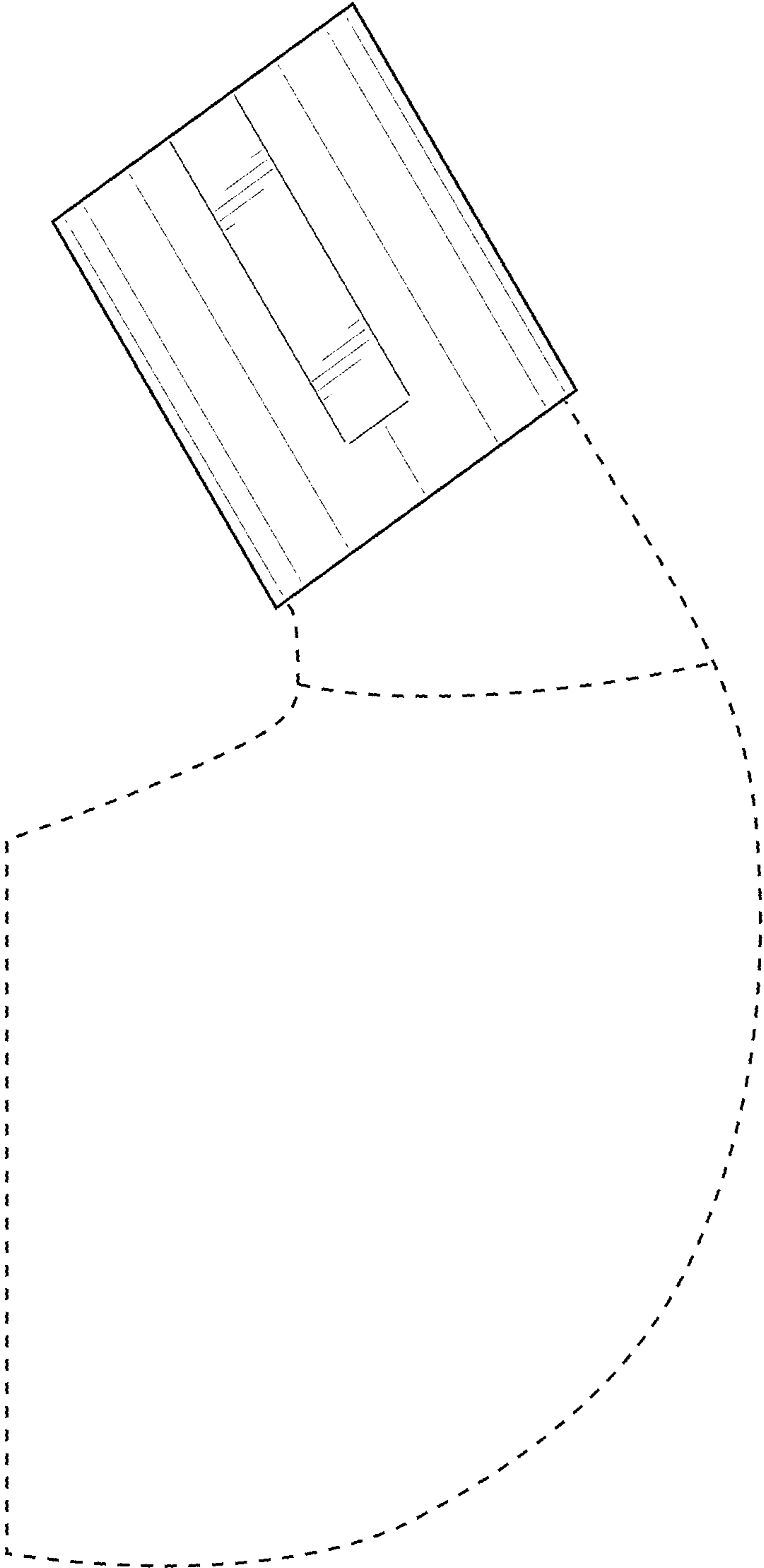


FIG. 3

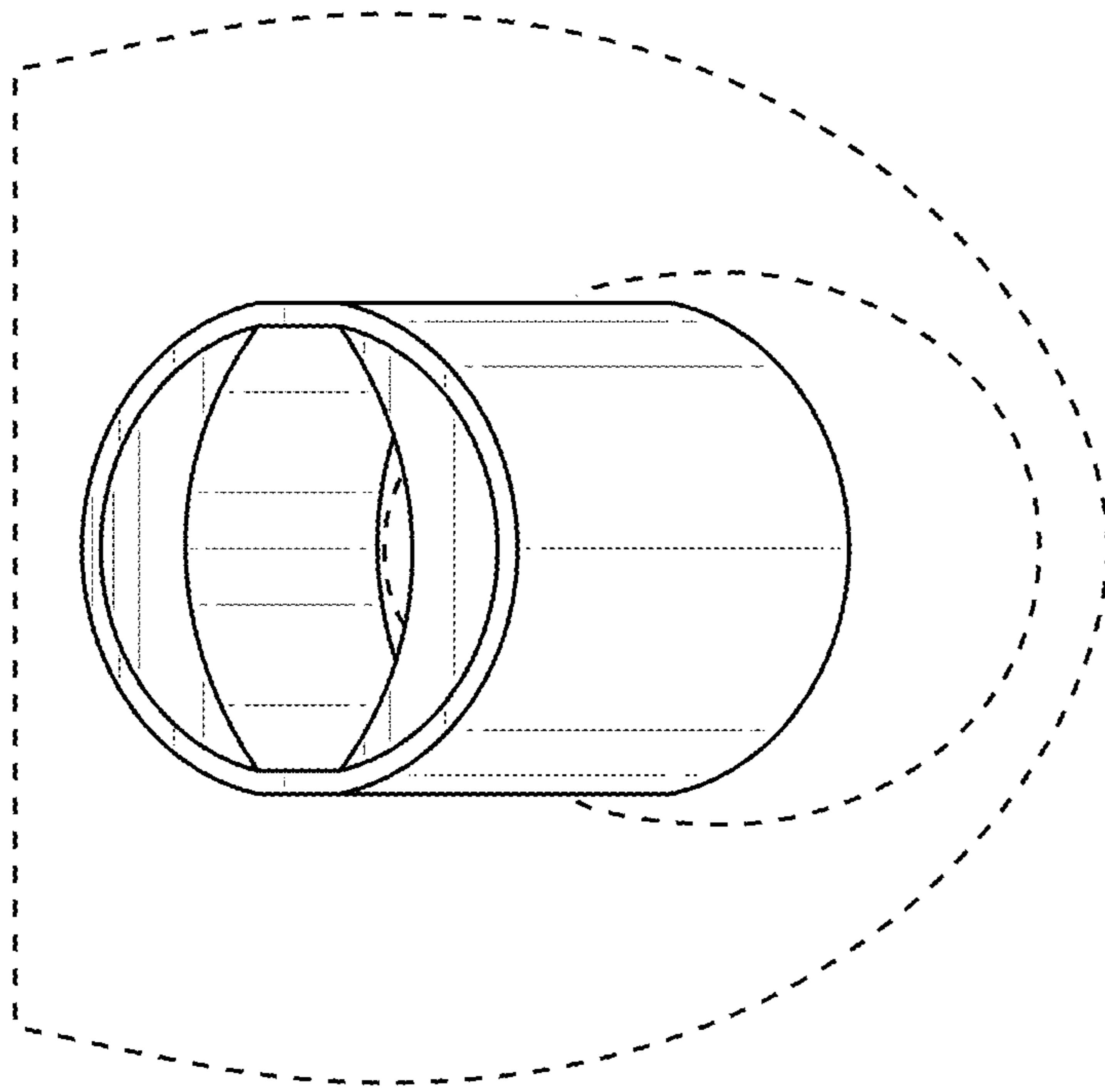


FIG. 4

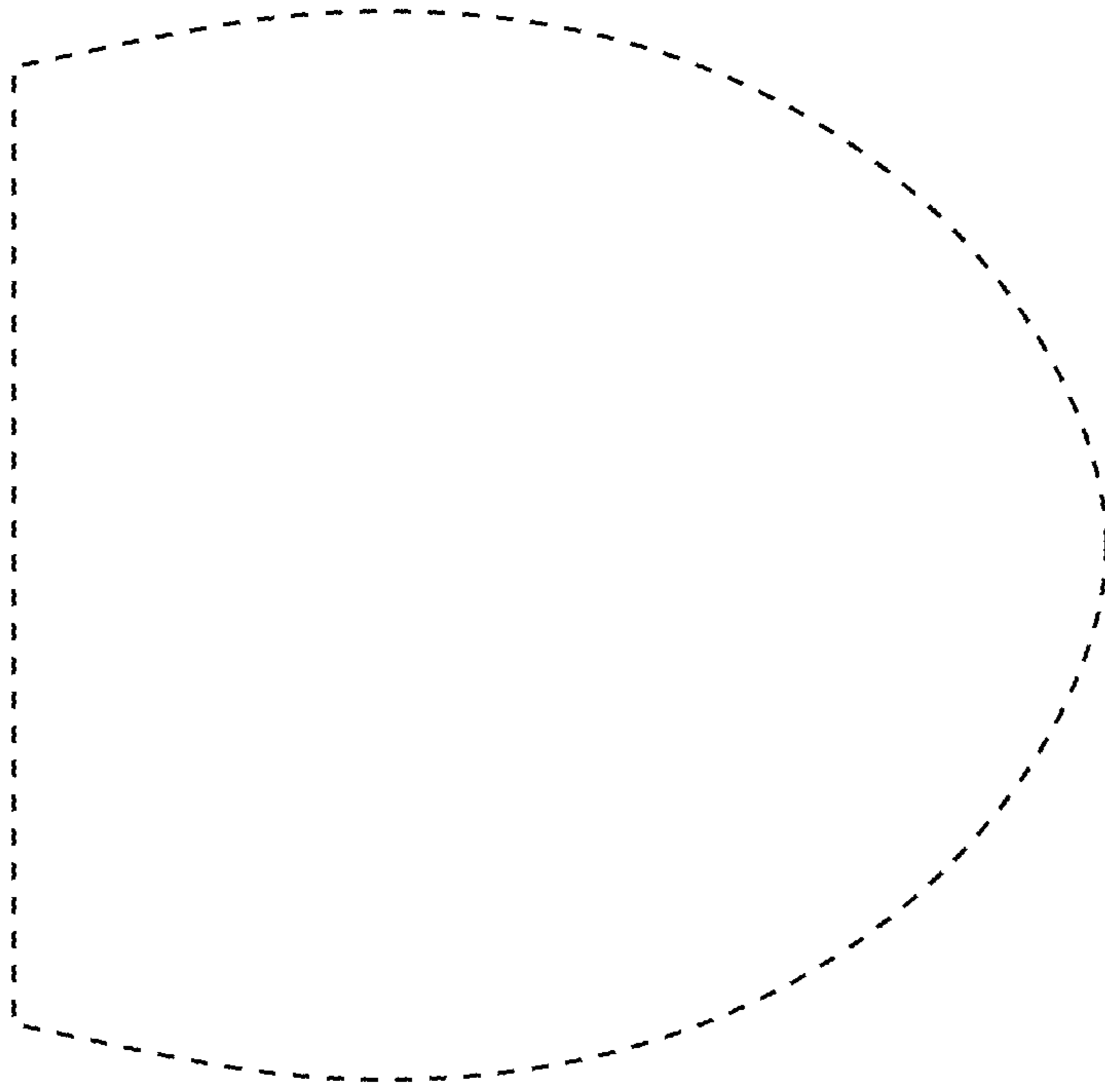


FIG. 5

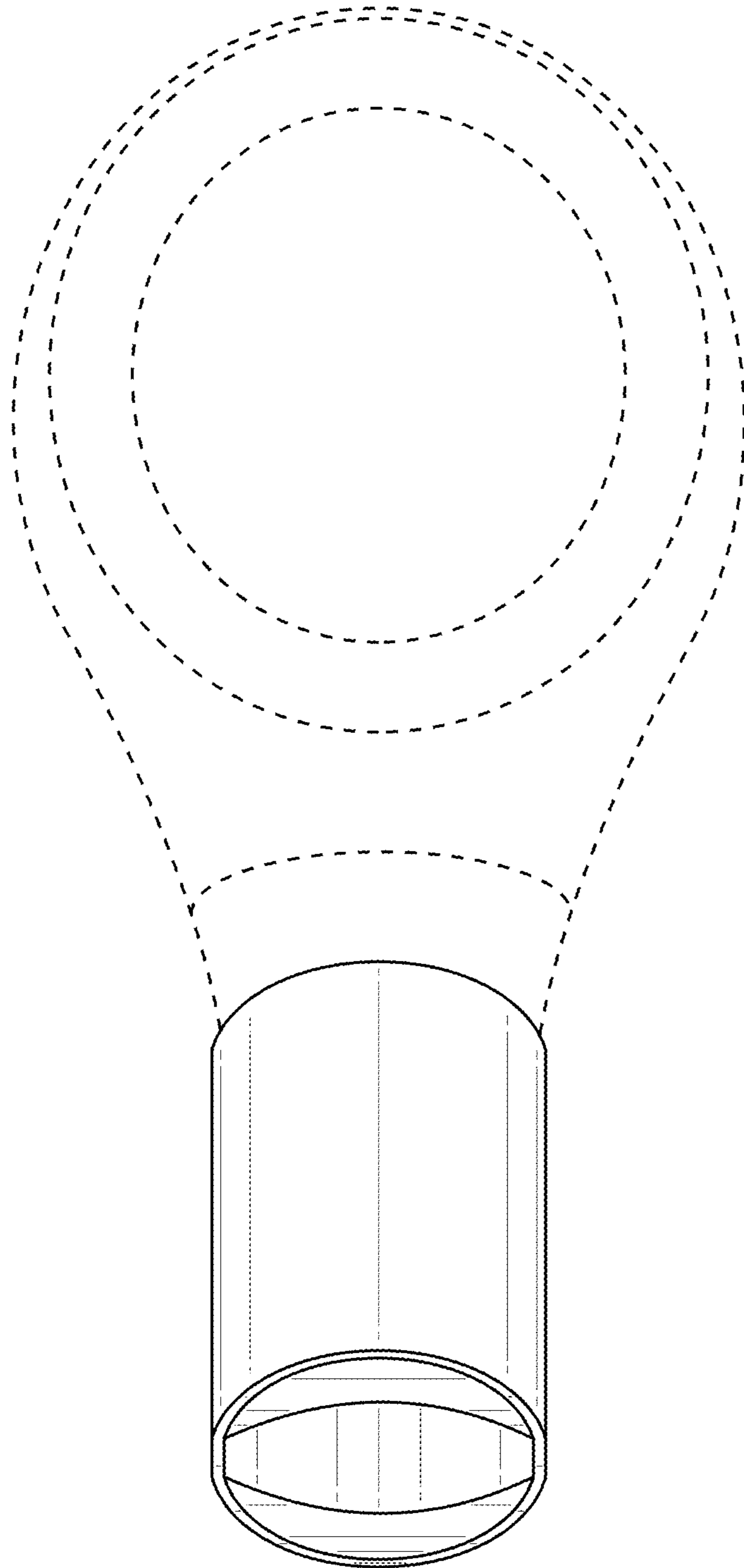


FIG. 6

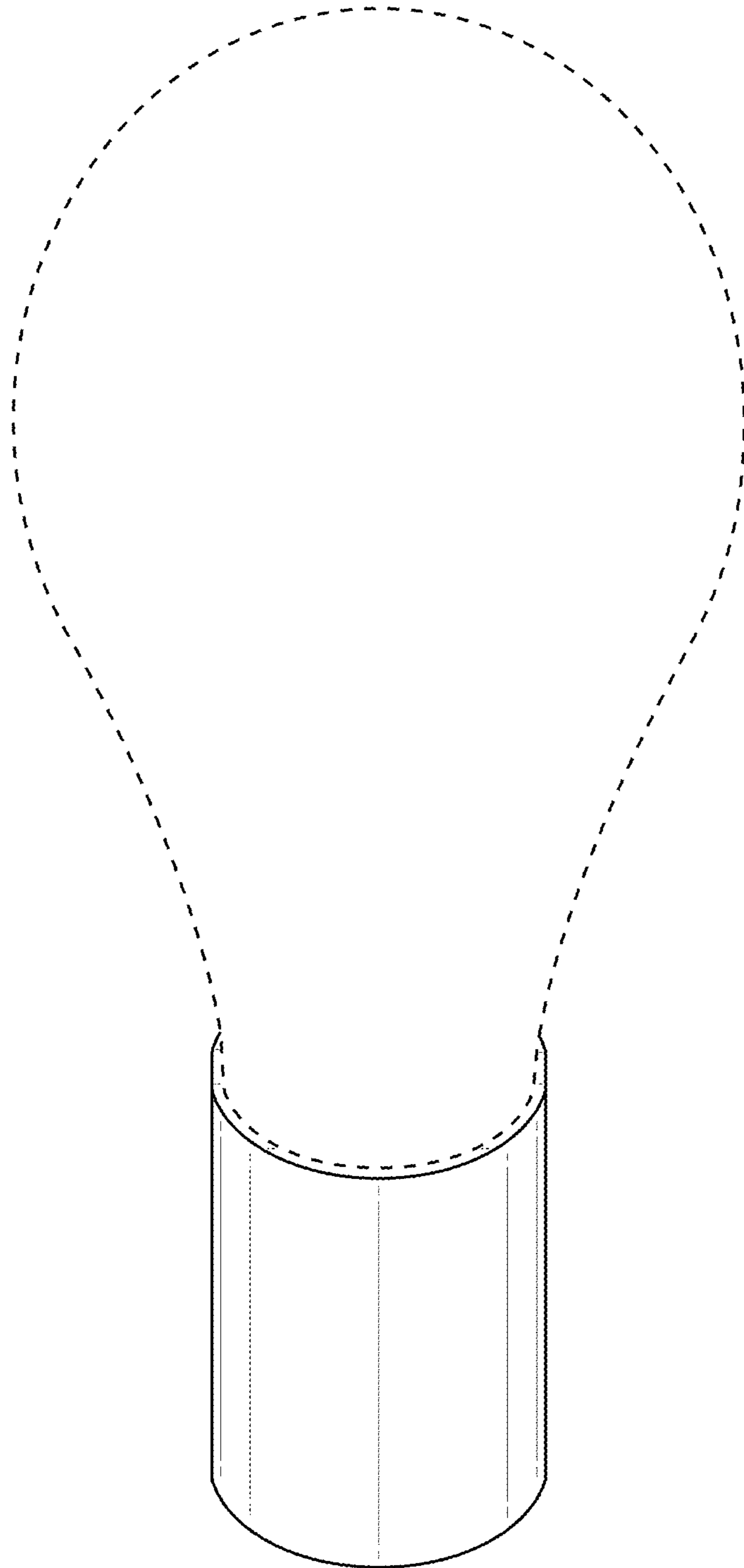


FIG. 7

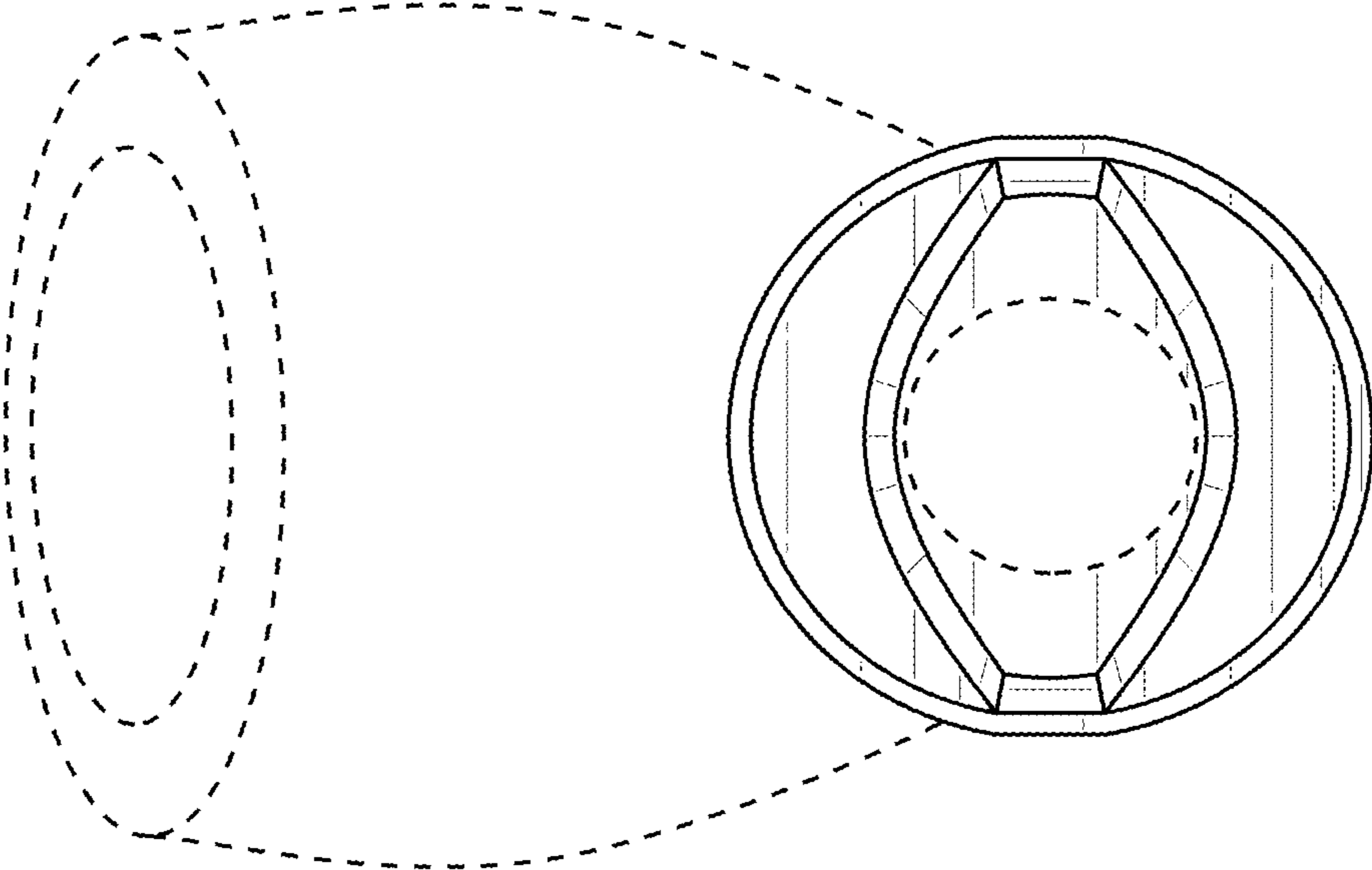


FIG. 8