



US00D957040S

(12) **United States Design Patent** (10) **Patent No.:** **US D957,040 S**  
**Seichter et al.** (45) **Date of Patent:** **\*\* Jul. 5, 2022**

(54) **REFLECTOR OPTIC FOR A LAMP**  
(71) Applicant: **OSRAM GmbH**, Munich (DE)  
(72) Inventors: **Christian Seichter**, Herbrechtingen (DE); **Kevin Bayer**, Heidenheim (DE)  
(73) Assignee: **OSRAM GmbH**, Munich (DE)  
(\*\*) Term: **15 Years**  
(21) Appl. No.: **29/750,030**

D678,598 S \* 3/2013 Wu ..... D26/120  
D807,288 S \* 1/2018 Kim ..... D13/107  
D813,292 S \* 3/2018 Godfrey ..... D16/237  
D865,038 S \* 10/2019 Sandvik ..... D16/237  
D870,665 S \* 12/2019 Schubert ..... D13/108  
D880,015 S \* 3/2020 Zulauf ..... D26/2

**FOREIGN PATENT DOCUMENTS**

CA 139255 \* 2/2011  
CN 303097008 \* 8/2014  
CN 306415443 \* 7/2020

**OTHER PUBLICATIONS**

“Osram” reference by Wiki Deals on Amazon.com, date first available Sep. 11, 2007 [online], site visited Mar. 15, 2022, available from internet URL: <https://www.amazon.com/OSRAM-64634-150W-Tungsten-Halogen/dp/B000G258EK> (Year: 2007).\*

(Continued)

*Primary Examiner* — Marissa J Cash  
*Assistant Examiner* — Liv C Anderson  
(74) *Attorney, Agent, or Firm* — Edward Podszus

(30) **Foreign Application Priority Data**  
Mar. 23, 2020 (EM) ..... 007768304  
(51) **LOC (13) Cl.** ..... **26-05**  
(52) **U.S. Cl.**  
USPC ..... **D26/124**  
(58) **Field of Classification Search**  
USPC ..... D16/237, 238, 247; D26/24, 75–77, 85, D26/88, 105, 107, 108, 112, 113, 118, D26/119, 120, 122, 131, 123, 124, 128  
CPC ..... F21V 7/00; F21V 7/0008; F21V 7/0075; F21V 7/0058; F21V 7/04; F21V 7/045; F21V 7/07; F21V 7/08  
See application file for complete search history.

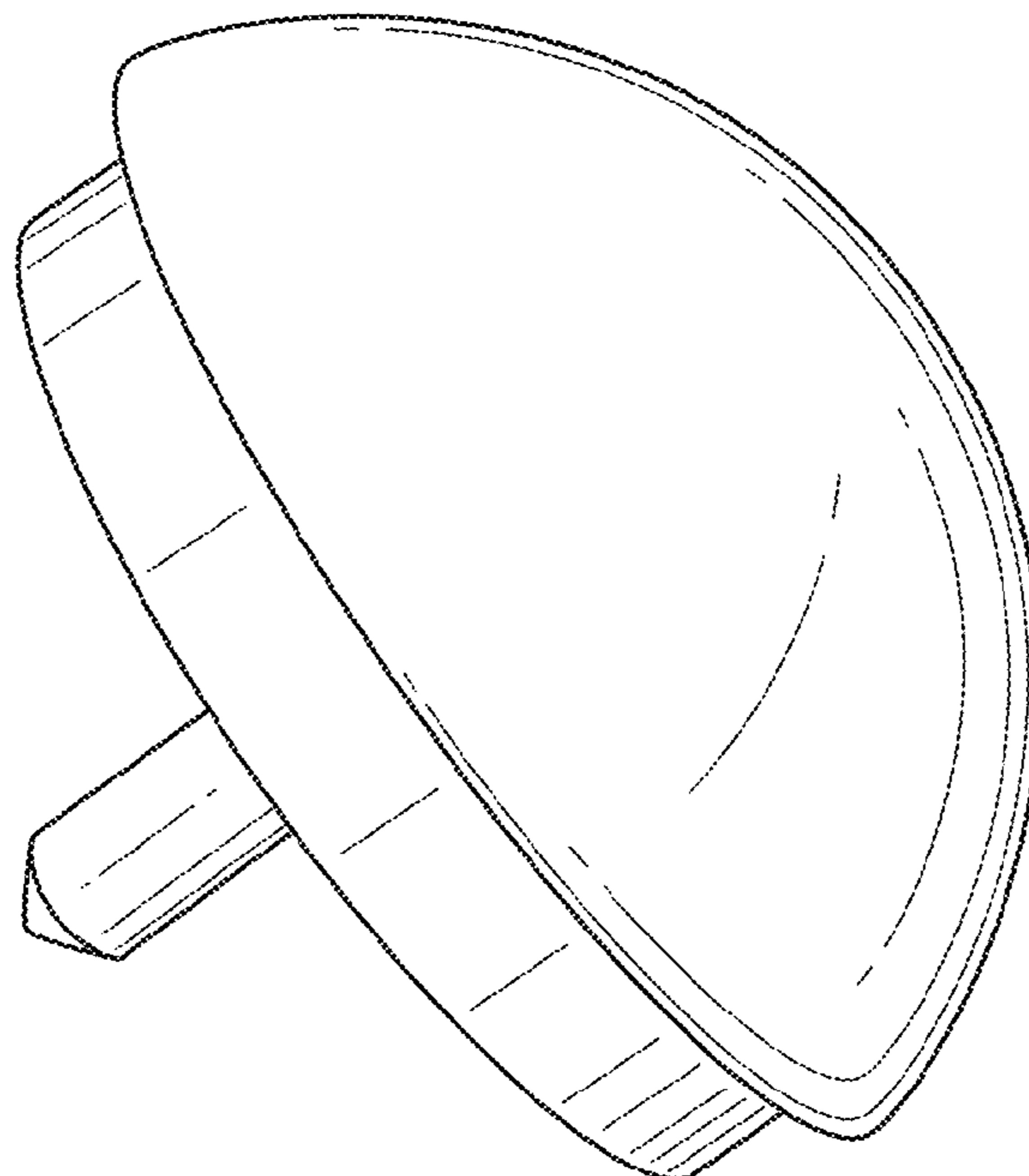
(57) **CLAIM**  
The ornamental design for a reflector optic for a lamp, as shown and described.

**DESCRIPTION**

FIG. 1 is a perspective view of the new design for a reflector optic for a lamp as seen from the front, top;  
FIG. 2 is a perspective view of the new design for a reflector optic for a lamp as seen from the side, bottom;  
FIG. 3 is a side elevational view thereof, the other sides being the same;  
FIG. 4 is a top plan view thereof; and,  
FIG. 5 is a bottom plan view thereof.

(56) **References Cited**  
U.S. PATENT DOCUMENTS  
D34,685 S \* 6/1901 Dixon ..... D26/131  
4,447,865 A \* 5/1984 VanHorn ..... F21V 7/09  
362/348  
D377,841 S \* 2/1997 Vakil ..... D26/85  
D591,785 S \* 5/2009 Fong ..... D16/237  
D593,229 S \* 5/2009 Hanley ..... D26/28

**1 Claim, 2 Drawing Sheets**



(56)

**References Cited**

OTHER PUBLICATIONS

“Woods” reference by Amazon.com, date first available Dec. 1, 2006 [online], site visited Mar. 15, 2022, available from internet URL: <https://www.amazon.com/Woods-Clamp-Aluminum-Reflector-Listed/dp/B000HHQ94C> (Year: 2006).\*

“Hilitchi” reference by Hilitchi on Amazon.com, date first available Jul. 5, 2018 [online], site visited Mar. 15, 2022, available from internet URL: <https://www.amazon.com/Hilitchi-Vintage-Decorative-Upholstery-Furniture/dp/B07FBH6QPC> (Year: 2018).\*

\* cited by examiner

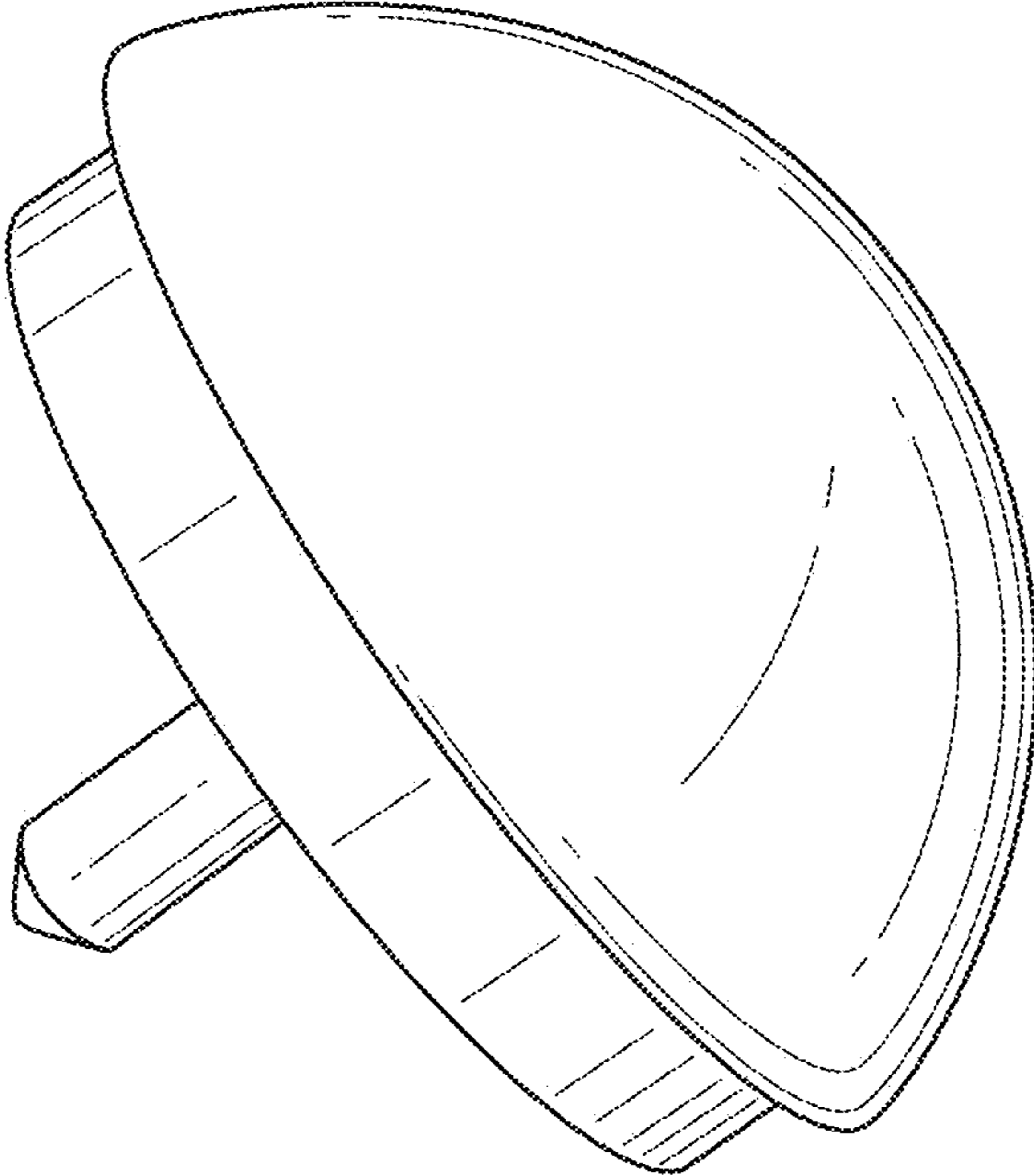


FIG. 1

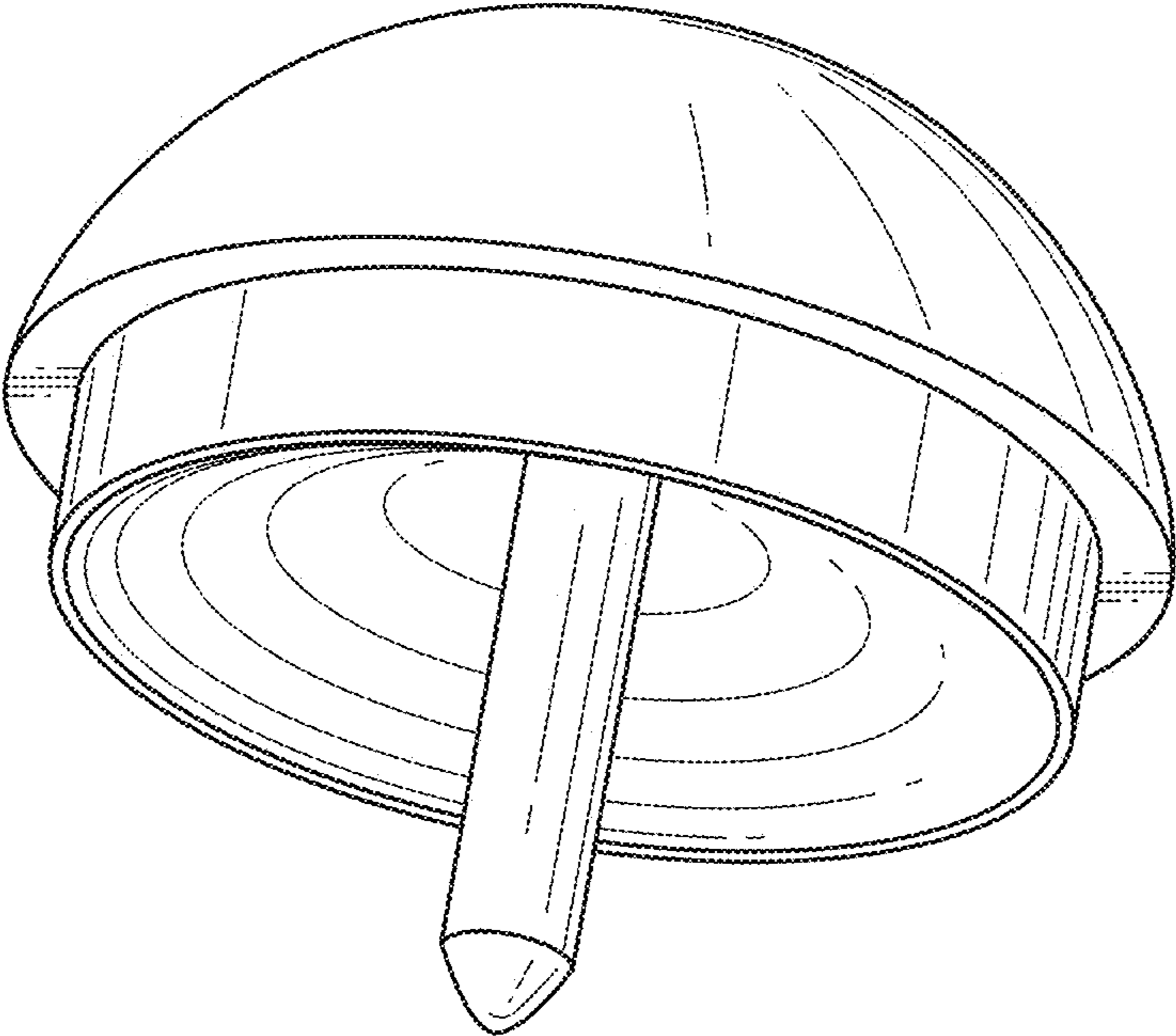


FIG. 2

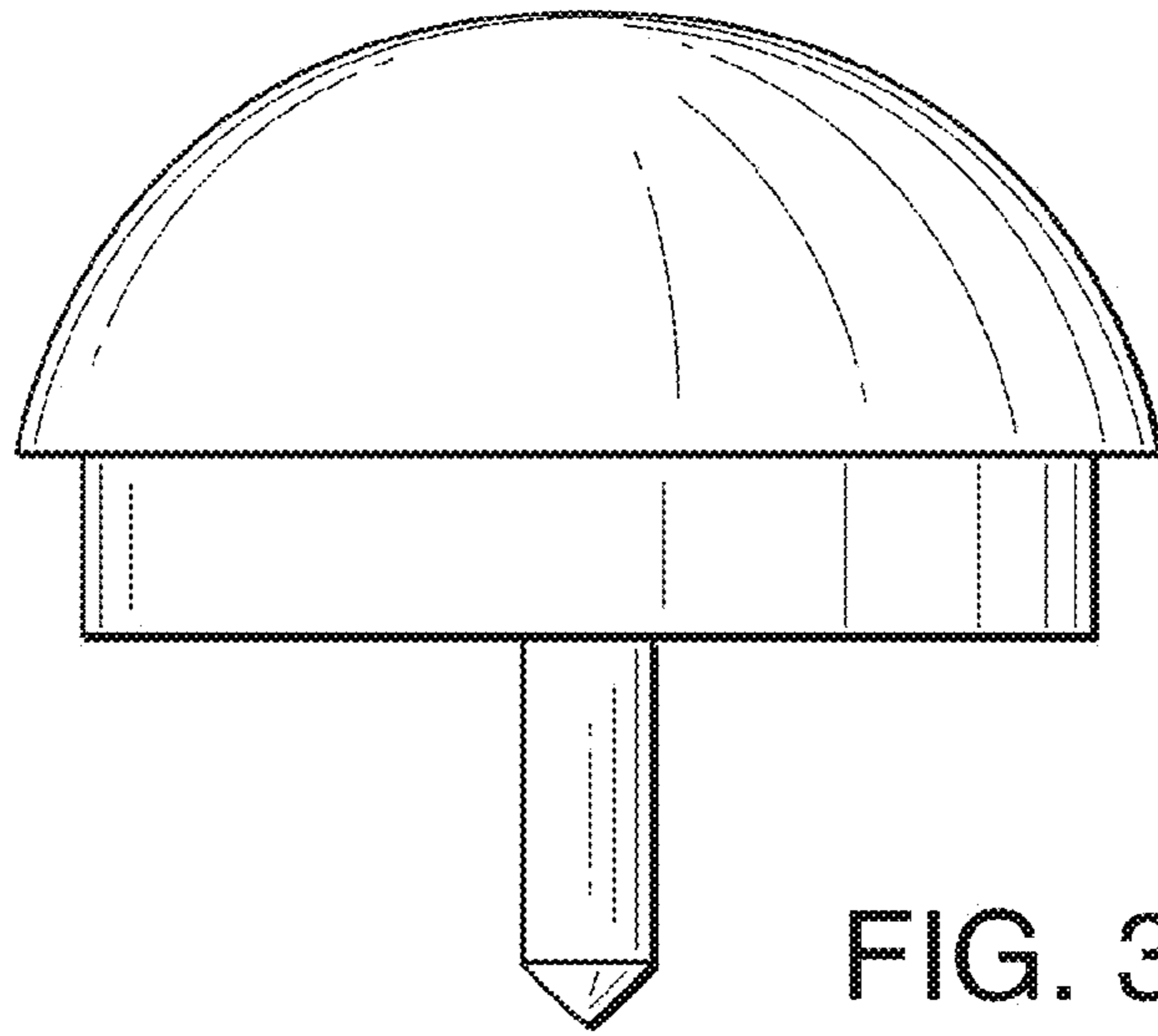


FIG. 3

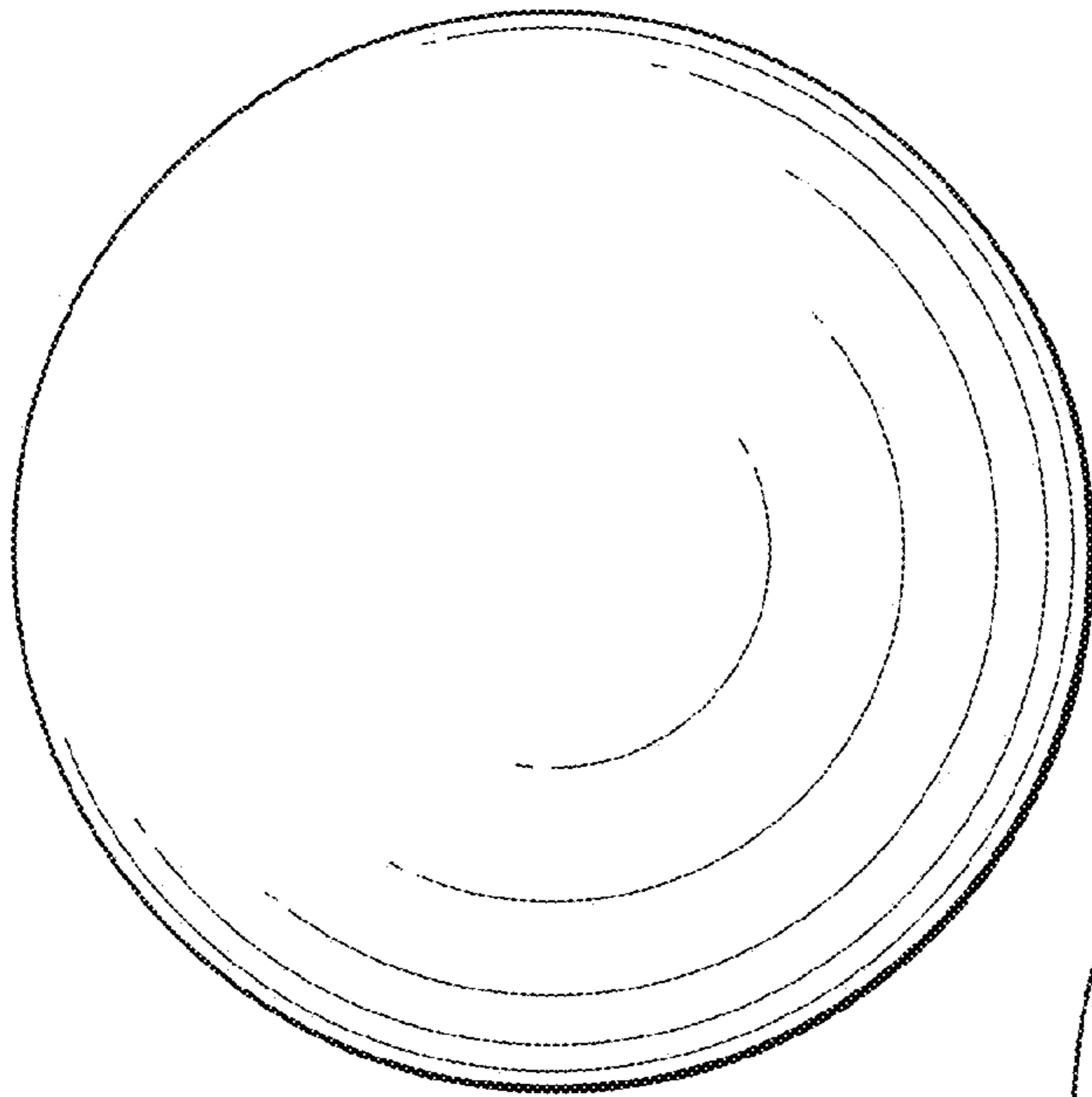


FIG. 4

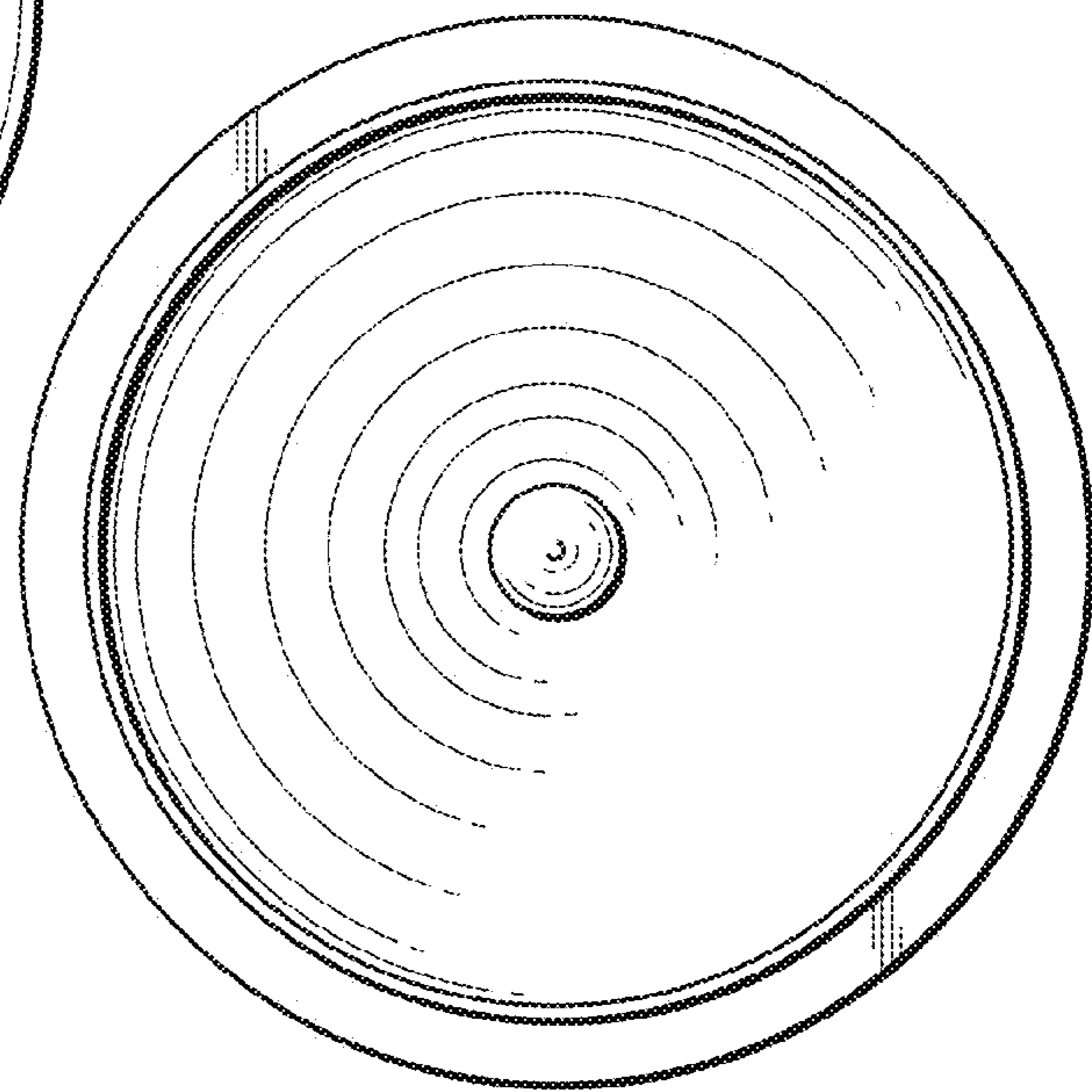


FIG. 5