



US00D957039S

(12) **United States Design Patent**
Stegeman

(10) **Patent No.:** **US D957,039 S**

(45) **Date of Patent:** **** Jul. 5, 2022**

(54) **ENCLOSURE WITH EXTENSION**

(71) Applicant: **Labyrinth Technologies, LLC**,
Hazelwood, MO (US)

(72) Inventor: **Ted Stegeman**, Hazelwood, MO (US)

(73) Assignee: **Labyrinth Technologies, LLC**,
Hazelwood, MO (US)

(**) Term: **15 Years**

(21) Appl. No.: **29/720,434**

(22) Filed: **Jan. 13, 2020**

(51) **LOC (13) Cl.** **26-05**

(52) **U.S. Cl.**
USPC **D26/118**

(58) **Field of Classification Search**
USPC D10/2, 15, 21, 24, 25, 27; D26/2, 24,
D26/51, 72, 75, 76, 77, 78, 81, 85, 88,
D26/113
CPC F21V 29/75; F21S 8/033; F21S 10/00;
F21W 2131/30; H01Q 1/12
See application file for complete search history.

(56) **References Cited**

U.S. PATENT DOCUMENTS

4,731,551 A	3/1988	Gibbs et al.	
5,235,252 A	8/1993	Blake	
5,651,612 A	7/1997	Braun	
5,895,986 A	4/1999	Walters et al.	
6,452,339 B1	9/2002	Morrissey et al.	
6,462,775 B1	10/2002	Loyd et al.	
6,811,444 B2	11/2004	Geyer	
6,912,408 B1 *	6/2005	O'Neill	H01Q 1/12 343/890
D543,652 S *	5/2007	Hargreaves	D26/118

(Continued)

FOREIGN PATENT DOCUMENTS

CN 104520636 A 4/2015
DE 7723862 U1 12/1978

(Continued)

OTHER PUBLICATIONS

Brunhuber, Kim, "In San Diego, a lamppost can tell you where to park," CBC News website, Technology & Science, <https://www.cbc.ca/news/technology/san-diego-smart-city-parking-1.4498964>, dated Feb. 7, 2018, printed on Sep. 18, 2019 (5 pages).

(Continued)

Primary Examiner — Ramzi Almatrahi

(74) *Attorney, Agent, or Firm* — Lewis Rice LLC

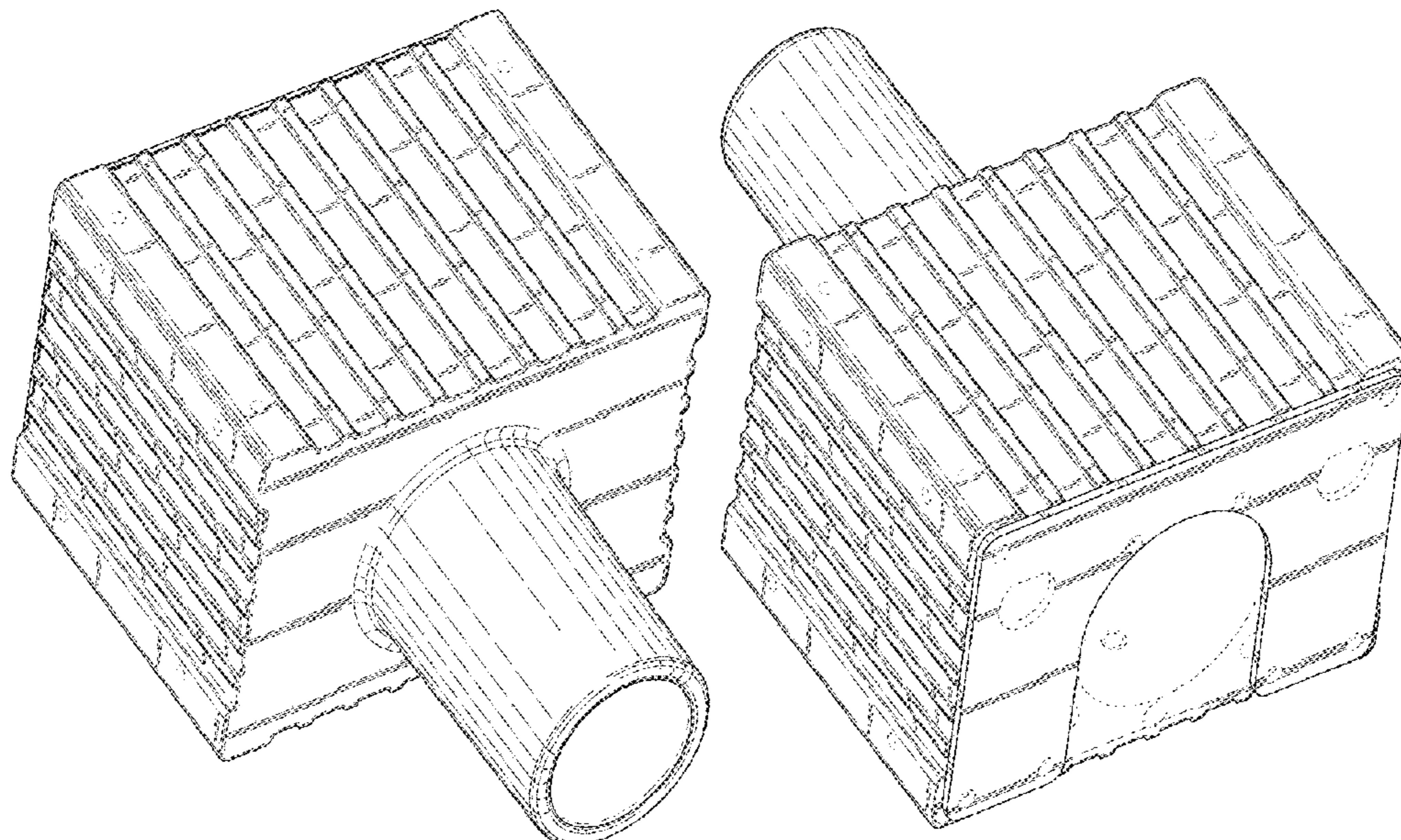
(57) **CLAIM**

The ornamental design for an enclosure with extension, as shown and described.

DESCRIPTION

FIG. 1 is a top, front, and left side perspective view of an enclosure with extension showing my new design; FIG. 2 is a top, back, and right side perspective view thereof; FIG. 3 is a front elevation view thereof; FIG. 4 is a back elevation view thereof; FIG. 5 is a right side elevation view thereof; FIG. 6 is a left side elevation view thereof; FIG. 7 is a top plan view thereof; FIG. 8 is a bottom plan view thereof; and, FIG. 9 is a top, back, and right side perspective view thereof, shown with the back cover omitted for ease of illustration. The broken lines depict portions of the enclosure with extension in which the design is embodied that form no part of the claimed design. The hollow interior of the enclosure with extension forms no part of the claimed design. Additionally, the dash-dot lines denote the boundary of the claim and form no part of the claimed design.

1 Claim, 9 Drawing Sheets



(56)

References Cited

U.S. PATENT DOCUMENTS

7,406,298 B2 7/2008 Luglio et al.
 7,706,757 B2 4/2010 Luglio et al.
 7,723,862 B1 5/2010 Spillman et al.
 7,828,463 B1 11/2010 Willis
 D632,830 S * 2/2011 Sekowski D26/118
 8,120,280 B2 2/2012 Yi et al.
 8,140,276 B2 3/2012 Walters et al.
 8,382,387 B1 2/2013 Sandoval
 8,442,785 B2 5/2013 Walters et al.
 8,502,408 B2 8/2013 Schneider et al.
 8,558,413 B1 10/2013 Lepard
 8,588,942 B2 11/2013 Agrawal
 8,693,965 B2 4/2014 McKay et al.
 8,866,582 B2 10/2014 Verfuierth et al.
 9,148,934 B2 9/2015 Matsuki
 9,175,954 B2 11/2015 Koerner et al.
 9,198,264 B2 11/2015 Challapali et al.
 9,226,368 B2 12/2015 Agrawal
 9,301,365 B2 3/2016 Reed
 9,326,359 B2 4/2016 Bosua
 9,338,862 B2 5/2016 Noesner et al.
 9,387,928 B1 7/2016 Gentry et al.
 9,526,142 B2 12/2016 Schroder et al.
 9,593,843 B2 3/2017 McRory
 9,651,420 B2 5/2017 Weber
 9,795,003 B2 10/2017 Johnson
 D803,453 S * 11/2017 Engle D26/72
 D810,343 S * 2/2018 Verelst D26/72
 9,907,147 B2 2/2018 Chen et al.
 D825,827 S * 8/2018 Stanley D26/118
 D828,617 S * 9/2018 Sonneman D26/118
 10,094,546 B2 10/2018 Agrawal et al.
 10,154,571 B2 12/2018 Lai et al.
 D838,894 S * 1/2019 Pi F21V 29/75
 D26/88
 D853,008 S * 7/2019 Joyeux D26/72
 D861,223 S * 9/2019 Rosello D26/72
 D908,932 S * 1/2021 Richardson D26/24
 D928,994 S * 8/2021 Chen D26/2
 2003/0152423 A1 8/2003 Wu
 2004/0100793 A1 5/2004 Monitto
 2004/0105264 A1 6/2004 Spero
 2005/0168169 A1 8/2005 Kurachi et al.
 2006/0044789 A1 3/2006 Curtis
 2007/0013513 A1 1/2007 Tang et al.
 2008/0106892 A1 5/2008 Griffiths et al.
 2008/0175216 A1 7/2008 Nasco
 2009/0016055 A1 * 1/2009 Liu F21V 29/75
 362/249.14
 2009/0206670 A1 8/2009 Whitted et al.
 2011/0058358 A1 3/2011 Soo et al.
 2011/0171080 A1 7/2011 Lo
 2012/0020060 A1 1/2012 Myer et al.
 2012/0051050 A1 3/2012 Lee et al.
 2012/0143383 A1 6/2012 Cooperrider et al.
 2012/0327639 A1 12/2012 Chen
 2013/0040471 A1 2/2013 Gervais et al.
 2013/0064136 A1 3/2013 Apostolakis
 2013/0077327 A1 3/2013 Butler et al.
 2013/0107520 A1 5/2013 O’Kane
 2013/0142372 A1 6/2013 Harwood
 2013/0193876 A1 8/2013 Cleland et al.
 2014/0016356 A1 1/2014 Furmanczyk et al.
 2014/0028200 A1 1/2014 Van Wagoner et al.
 2014/0052390 A1 2/2014 Kim et al.
 2014/0071677 A1 3/2014 Pickard et al.
 2014/0312776 A1 10/2014 Park et al.
 2015/0016159 A1 1/2015 Deboy
 2015/0264776 A1 9/2015 Amarin et al.
 2015/0362172 A1 12/2015 Gabriel et al.
 2015/0369618 A1 12/2015 Barnard et al.
 2016/0095182 A1 3/2016 Bjorn et al.

2016/0286629 A1 9/2016 Chen et al.
 2016/0318568 A1 11/2016 Hosoda et al.
 2016/0320049 A1 11/2016 Bears
 2017/0310232 A1 10/2017 De Hoog et al.
 2018/0031213 A1 2/2018 Stegeman et al.
 2018/0045388 A1 2/2018 McDowell et al.
 2018/0116040 A1 4/2018 Mann et al.
 2018/0279429 A1 9/2018 Sadwick
 2018/0288860 A1 10/2018 Vendetti et al.
 2018/0295703 A1 10/2018 Xue et al.
 2019/0017667 A1 1/2019 Mitchell et al.

FOREIGN PATENT DOCUMENTS

DE 8812785 U1 10/1988
 EP 3018977 A1 5/2016
 EP 3290788 A1 3/2018
 FR 2399019 A1 2/1979
 GB 2444734 A 6/2008
 KR 101585531 B1 1/2016
 WO 2014066298 A1 5/2014
 WO 20140184166 A2 11/2014
 WO 2016053034 A1 4/2016
 WO 2016075116 A2 5/2016
 WO 2017139089 A1 8/2017

OTHER PUBLICATIONS

Bigelow, Bruce V., “GE Plans a Sale as San Diego Smart City Project Nears Completion,” Xconomy website, San Diego, <https://xconomy.com/san-diego/2018/06/14/ge-plans-a-sale-as-san-diegosmart-city-project-nears-completion/>, dated Jun. 14, 2018, printed on Sep. 18, 2019 (2 pages).
 Maddox, Teena, “New smart city traffic project takes off in Portland, OR,” TechRepublic website, dated Jun. 20, 2018, printed on Sep. 18, 2019 (4 pages).
 Goldstein, Phil, “Portland Turns to Smart Sensors to Enhance Traffic Safety,” StateTech Magazine website, <https://www.techrepublic.com/article/new-smart-city-traffic-project-takes-off-in-portland-or/>, dated Jul. 30, 2018, printed on Sep. 18, 2019 (3 pages).
 Chakrabarty, Gargi, “Portland Deploys Sensors to Make Street Safer,” Icons of Infrastructure website, <https://iconsofinfrastructure.com/portland-uses-sensors-to-make-streetssafier/>, printed on Sep. 18, 2019 (2 pages).
 “SmartCities,” Clean Tech San Diego website, <http://cleantechsandiego.org/smart-cities-home/>, printed on Sep. 18, 2019 (7 pages).
 “GE smart lighting technology expected to save City of San Diego more than \$250K annually,” LEDs Magazine, <https://www.ledsmagazine.com/company-newsfeed/article/16684696/ge-smart-lighting-expected-to-save-city-of-san-diego-more-than-250k-annually>, dated Jan. 29, 2014, printed on Jan. 24, 2020 (16 pages).
 Wright, Maury, “Oceanside installs GPS-enabled LED street lights from GE Lighting,” LEDs Magazine, <https://www.ledsmagazine.com/architectural-lighting/outdoor-lighting/article/16696766/oceanside-installs-gps-enabled-led-street-lights-from-ge-lighting>, dated Jul. 20, 2015, printed on Jan. 24, 2020 (22 pages).
 “GE Lighting talks controls and networks at Lightfair International 2013,” LEDs Magazine, <https://www.ledsmagazine.com/leds-ssl-design/networks-controls/article/16697295/ge-lighting-talks-controls-and-networks-at-lightfair-international-2013>, dated Apr. 24, 2013, printed on Jan. 24, 2020 (19 pages).
 “LightGrid Outdoor Wireless Control System,” <https://products.gecurrent.com/control-systems/lightgrid-outdoor-wireless-control-system>, printed on Jan. 24, 2020 (17 pages).
 “LightGrid Outdoor Wireless Control System,” <https://facilityexecutive.com/2018/lightgrid-outdoor-wireless-control-system/>, dated Mar. 30, 2018, printed on Jan. 24, 2020 (5 pages).
 International Search Report and Written Opinion for related application No. PCT/US2020/013523, dated Jul. 6, 2020, 16 pages.

* cited by examiner

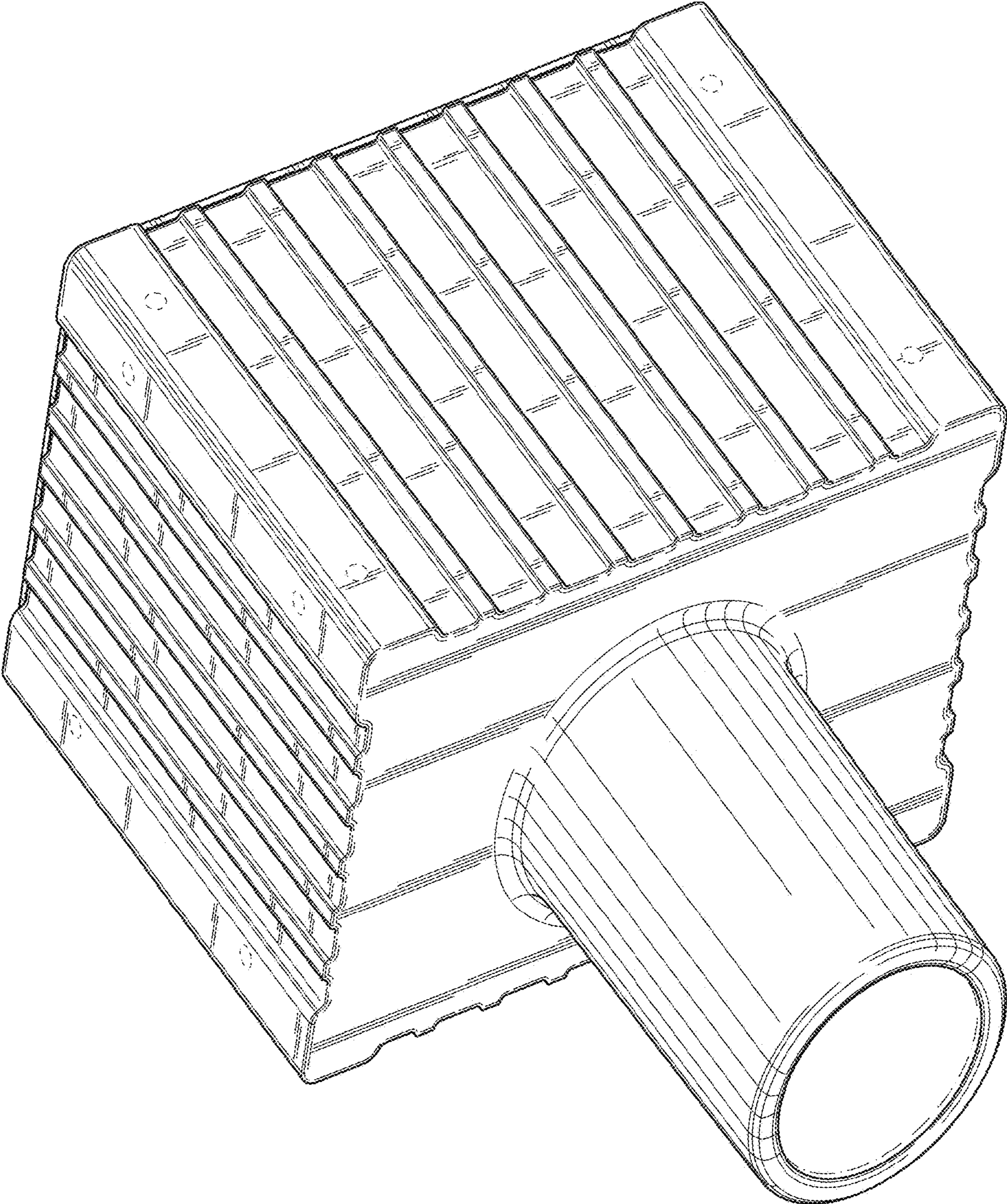


FIG. 1

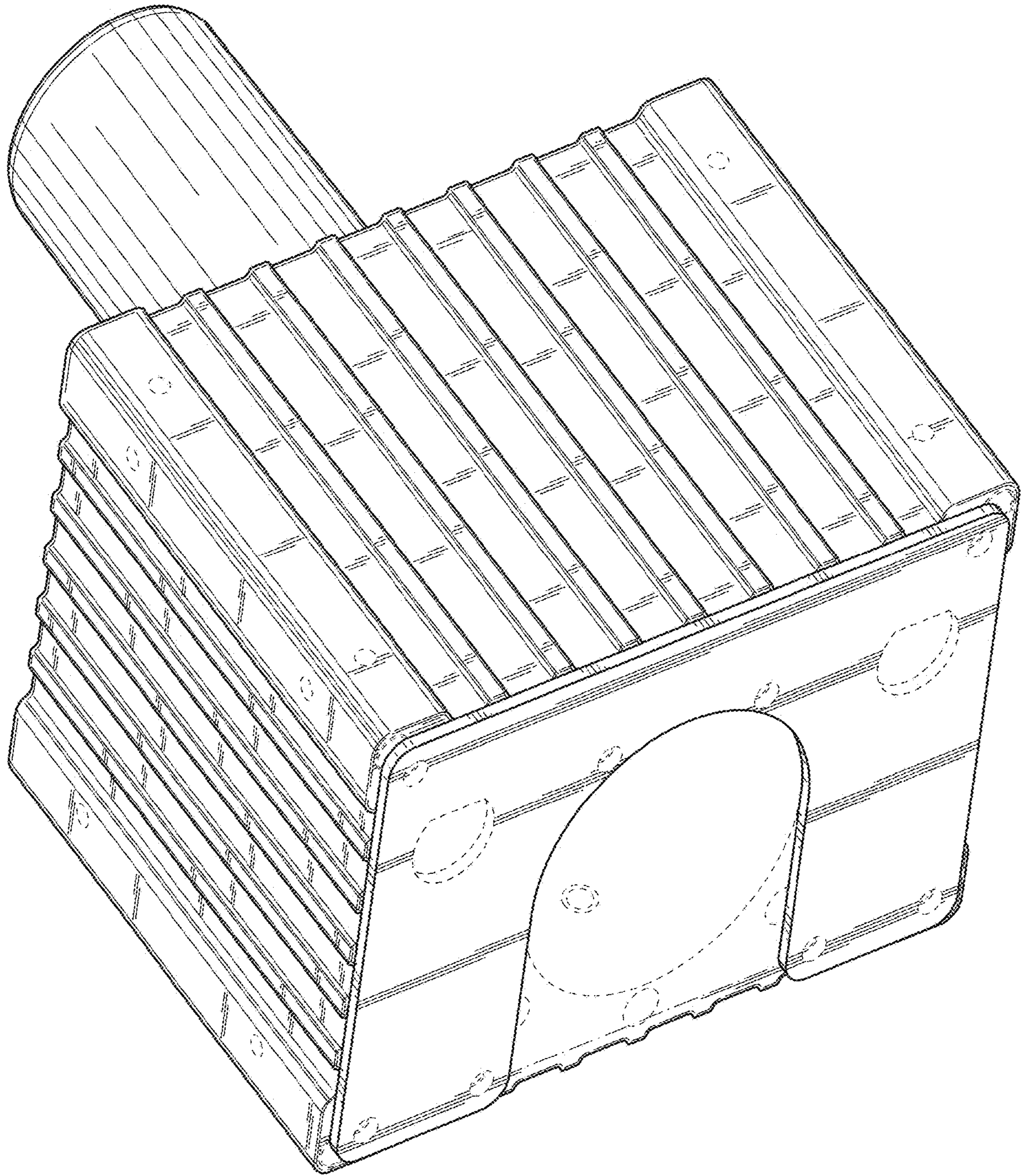


FIG. 2

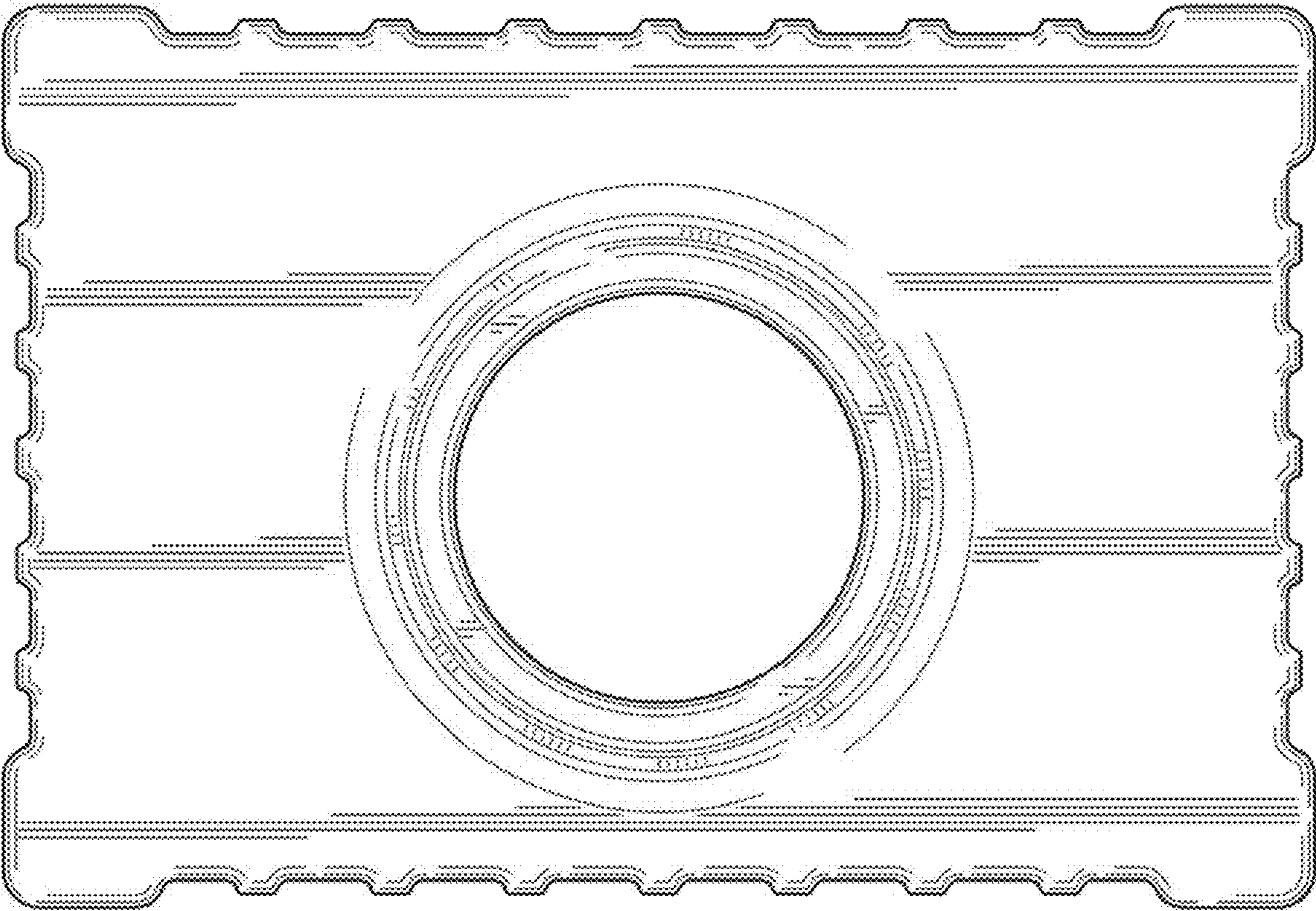


FIG. 3

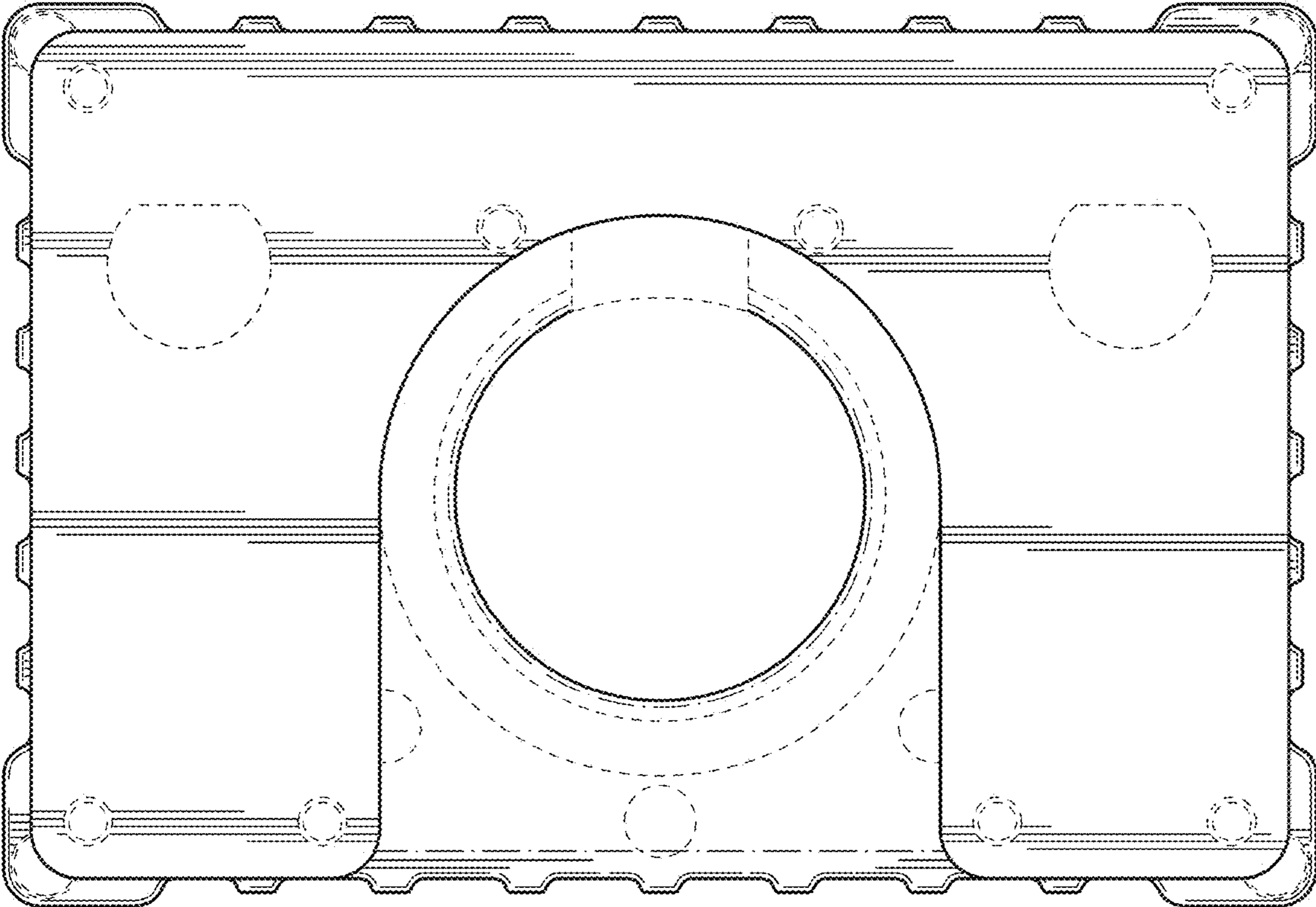


FIG. 4

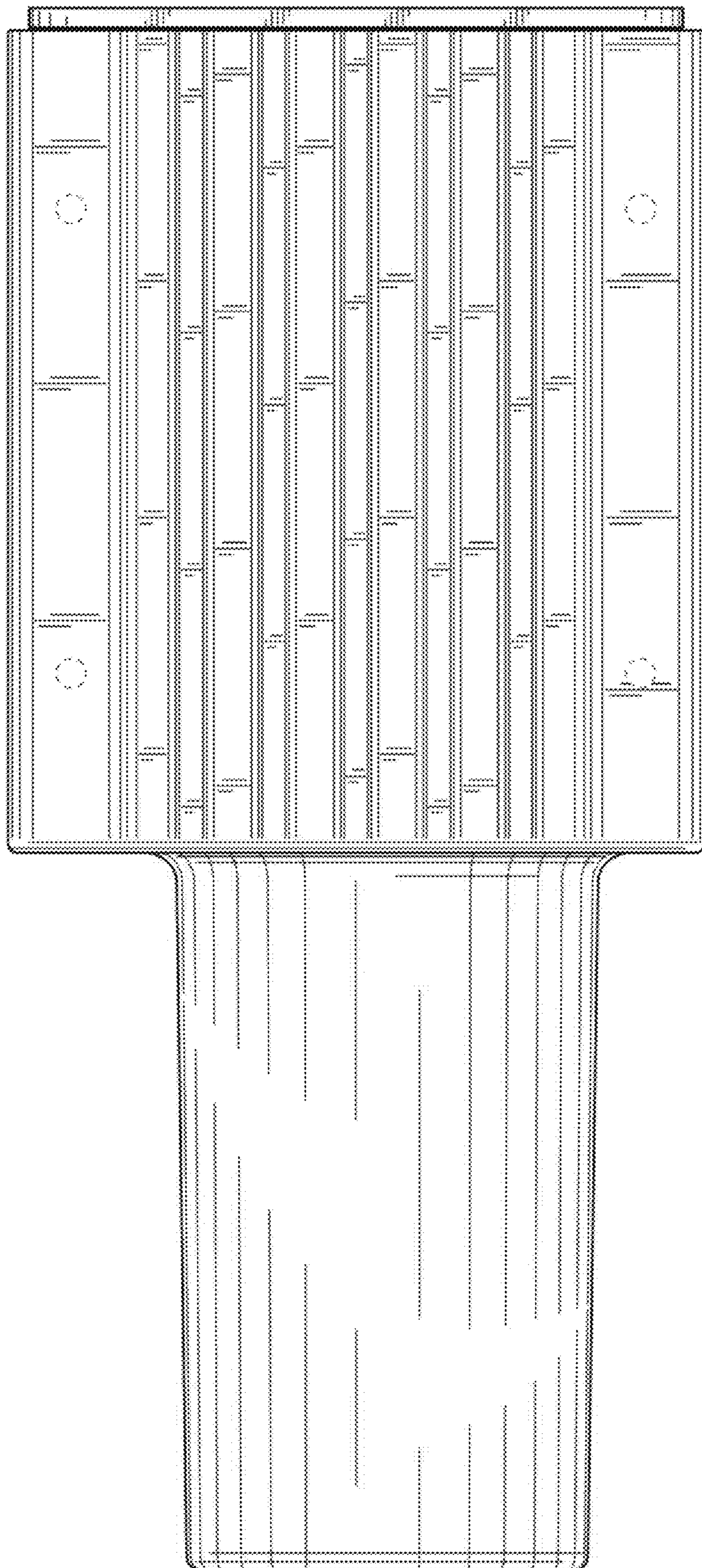


FIG. 5

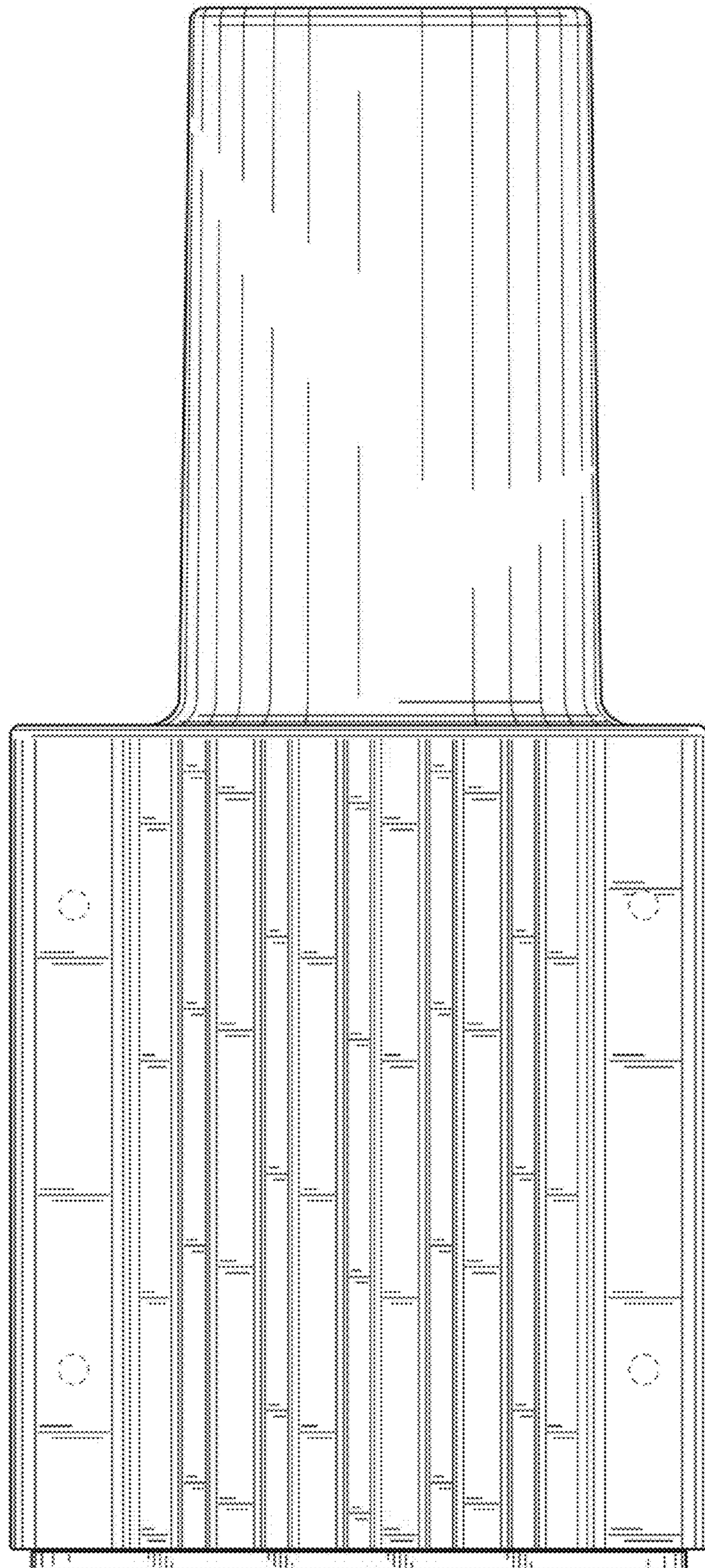


FIG. 6

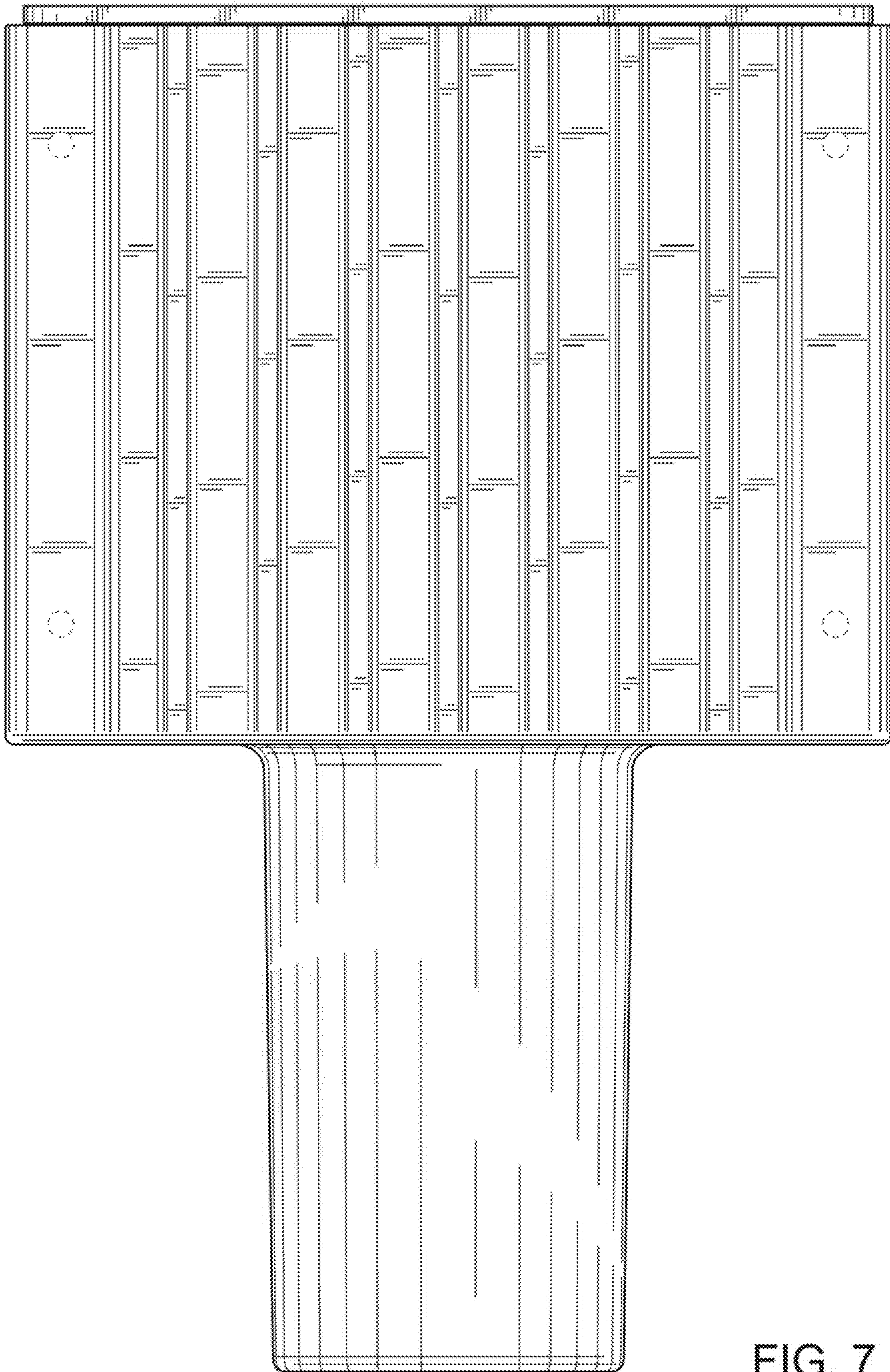
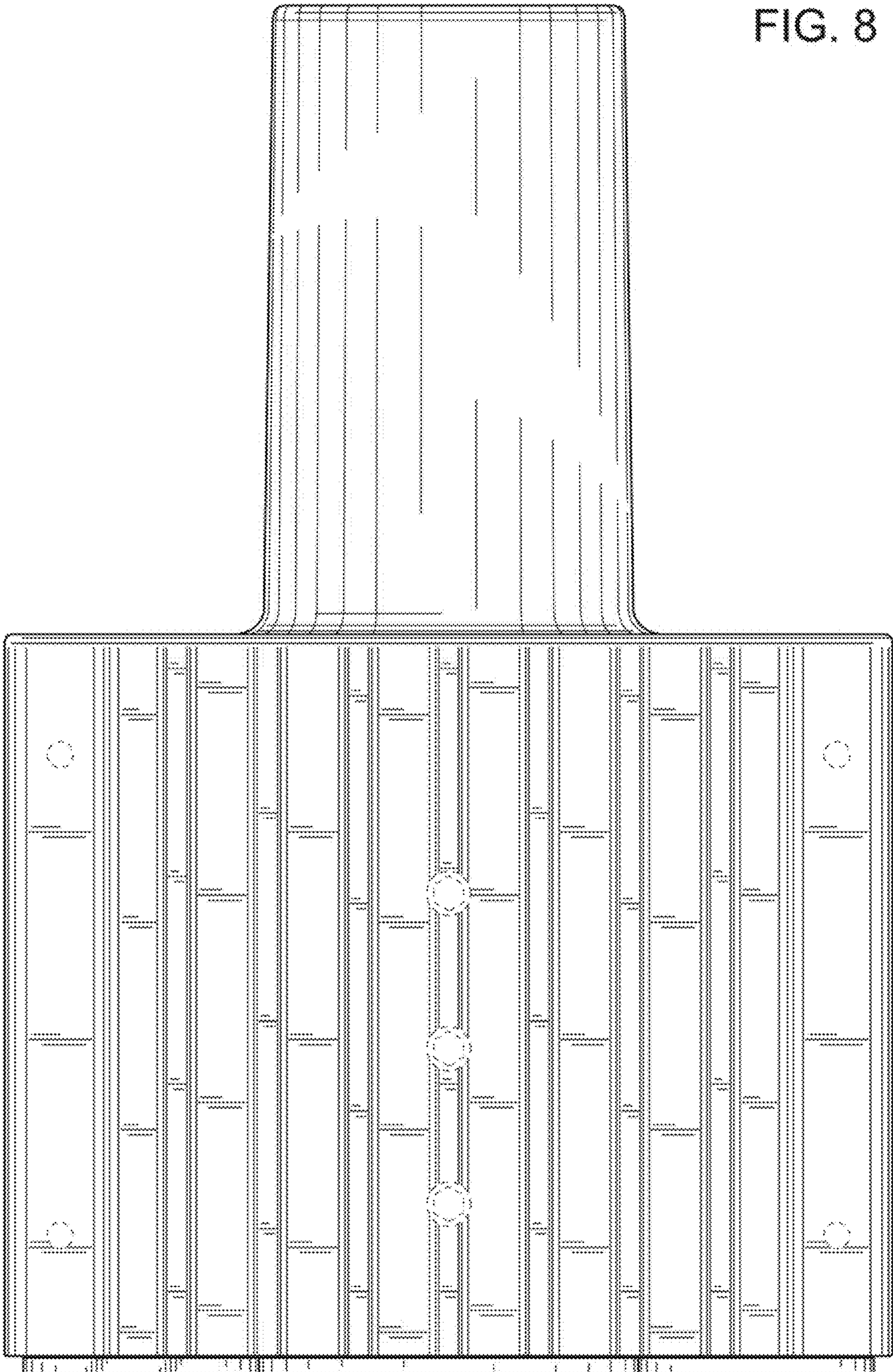


FIG. 7

FIG. 8



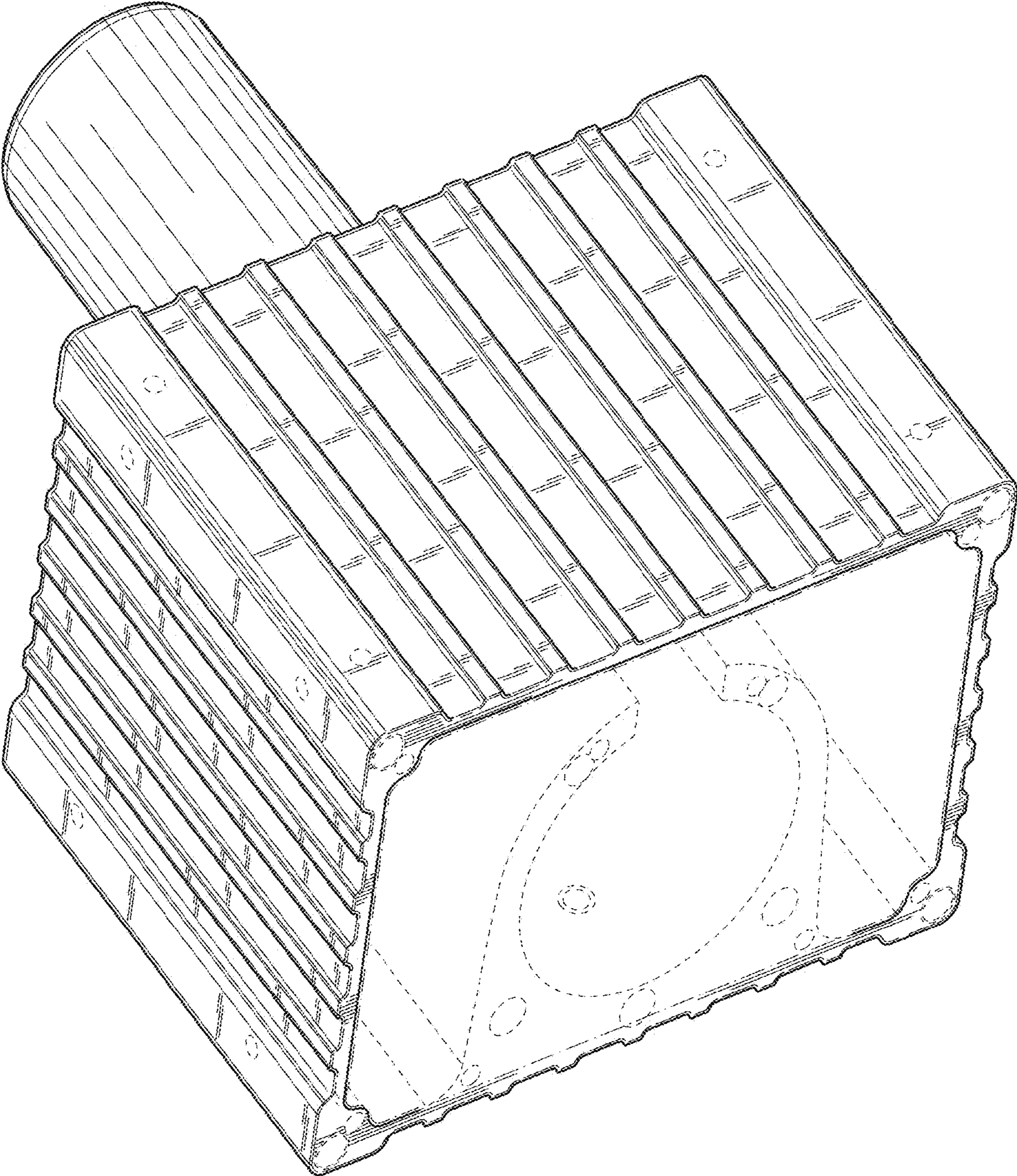


FIG. 9