



US00D957038S

(12) **United States Design Patent**  
**Ke**

(10) **Patent No.:** **US D957,038 S**

(45) **Date of Patent:** **\*\* Jul. 5, 2022**

(54) **DESKTOP LED LIGHT**

(71) Applicant: **ShenZhen Neewer Technology Co., Ltd.**, Shenzhen (CN)

(72) Inventor: **Yan Ke**, Shenzhen (CN)

(\*\*) Term: **15 Years**

(21) Appl. No.: **29/763,983**

(22) Filed: **Dec. 28, 2020**

(51) **LOC (13) Cl.** ..... **26-05**

(52) **U.S. Cl.**  
USPC ..... **D26/106**; D16/244

(58) **Field of Classification Search**  
USPC ..... D26/49, 60, 63, 72, 79, 85, 89, 92, 93,  
D26/104, 106, 111, 118, 123, 124, 138;  
D16/136, 237, 239, 244, 245, 250;  
D28/9, 15, 16, 17, 99; D14/253; D8/71,  
D8/72

CPC ..... F21V 21/00; F21V 21/14; F21V 21/30;  
F21V 21/096; F21V 1/00; F21V 1/12;  
F21V 17/06; F21V 15/01; F21V 14/00;  
F21V 14/02; G03B 2215/0575; G03B  
2215/0539; G03B 2215/0592; G03B  
2215/0589; G03B 15/03; G03B 15/05;  
A45F 2200/0508-0533; F21K 5/00; F21K  
5/02; F21S 8/003; F21S 8/043

See application file for complete search history.

(56) **References Cited**

**U.S. PATENT DOCUMENTS**

- 2,205,860 A \* 6/1940 Olds ..... G03B 15/0442  
362/17
- 4,633,374 A \* 12/1986 Waltz ..... G03B 15/02  
362/17
- 4,757,425 A \* 7/1988 Waltz ..... G03B 15/06  
362/18
- D320,466 S \* 10/1991 Muzquiz ..... D26/60
- D617,933 S 6/2010 Ng

- D785,232 S 4/2017 Qin
- 9,752,755 B2 \* 9/2017 Mossdorf ..... F24S 23/715
- D803,449 S \* 11/2017 Xu ..... D26/63
- D848,661 S 5/2019 Chang
- D881,980 S \* 4/2020 Zhu ..... D16/237
- D882,858 S 4/2020 Sun
- D884,243 S \* 5/2020 Li ..... D26/63
- D888,811 S \* 6/2020 Chen ..... D16/237
- D918,453 S \* 5/2021 Rang ..... D26/63
- D921,260 S \* 6/2021 Ke ..... D26/65
- D923,227 S \* 6/2021 Ko ..... D26/63
- D932,080 S \* 9/2021 Wang ..... D26/60
- 2005/0088836 A1 \* 4/2005 Lowe ..... G03B 15/06  
362/18
- 2006/0203491 A1 \* 9/2006 Waltz ..... G03B 15/02  
362/269
- 2010/0124068 A1 \* 5/2010 Karie ..... F21V 17/06  
362/433
- 2019/0182418 A1 \* 6/2019 Lai ..... H04N 5/222

(Continued)

*Primary Examiner* — Clint A Samuel

(74) *Attorney, Agent, or Firm* — Rumit Ranjit Kanakia

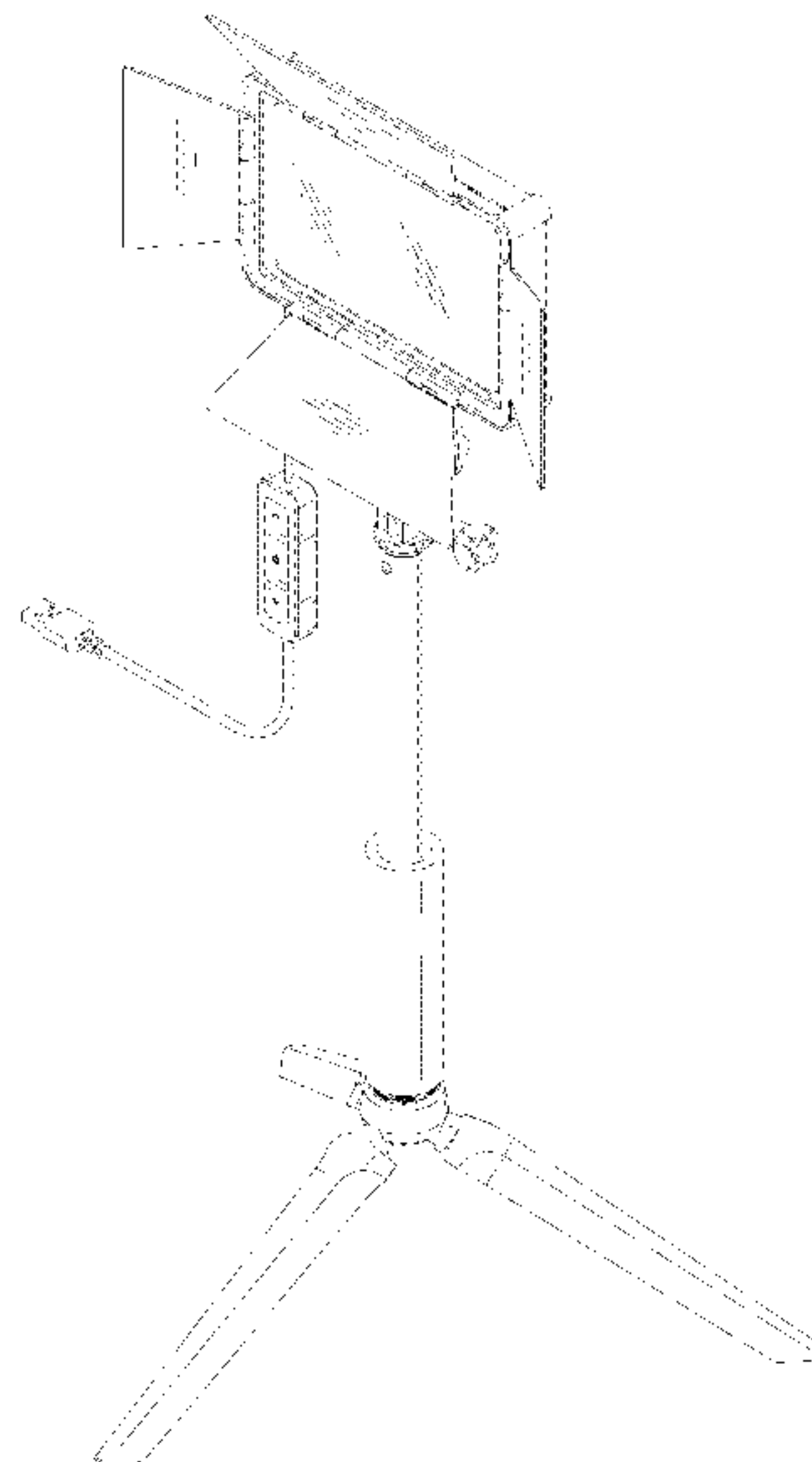
(57) **CLAIM**

I claim the ornamental design for a desktop LED light, as shown and described.

**DESCRIPTION**

FIG. 1 is a perspective view of a desktop LED light showing my new design in open position;  
 FIG. 2 is a front view thereof;  
 FIG. 3 is a back view thereof;  
 FIG. 4 is a right-side view thereof;  
 FIG. 5 is a left-side view thereof;  
 FIG. 6 is a top view thereof;  
 FIG. 7 is a bottom view thereof; and,  
 FIG. 8 is a perspective view of a desktop LED light showing in close position.  
 The broken lines in the drawings depict portions of the desktop LED light that form no part of the claimed design.

**1 Claim, 8 Drawing Sheets**



(56)

**References Cited**

U.S. PATENT DOCUMENTS

2021/0195715 A1\* 6/2021 Kowalenko ..... H05B 45/20  
2021/0203816 A1\* 7/2021 Machii ..... G03B 17/02

\* cited by examiner

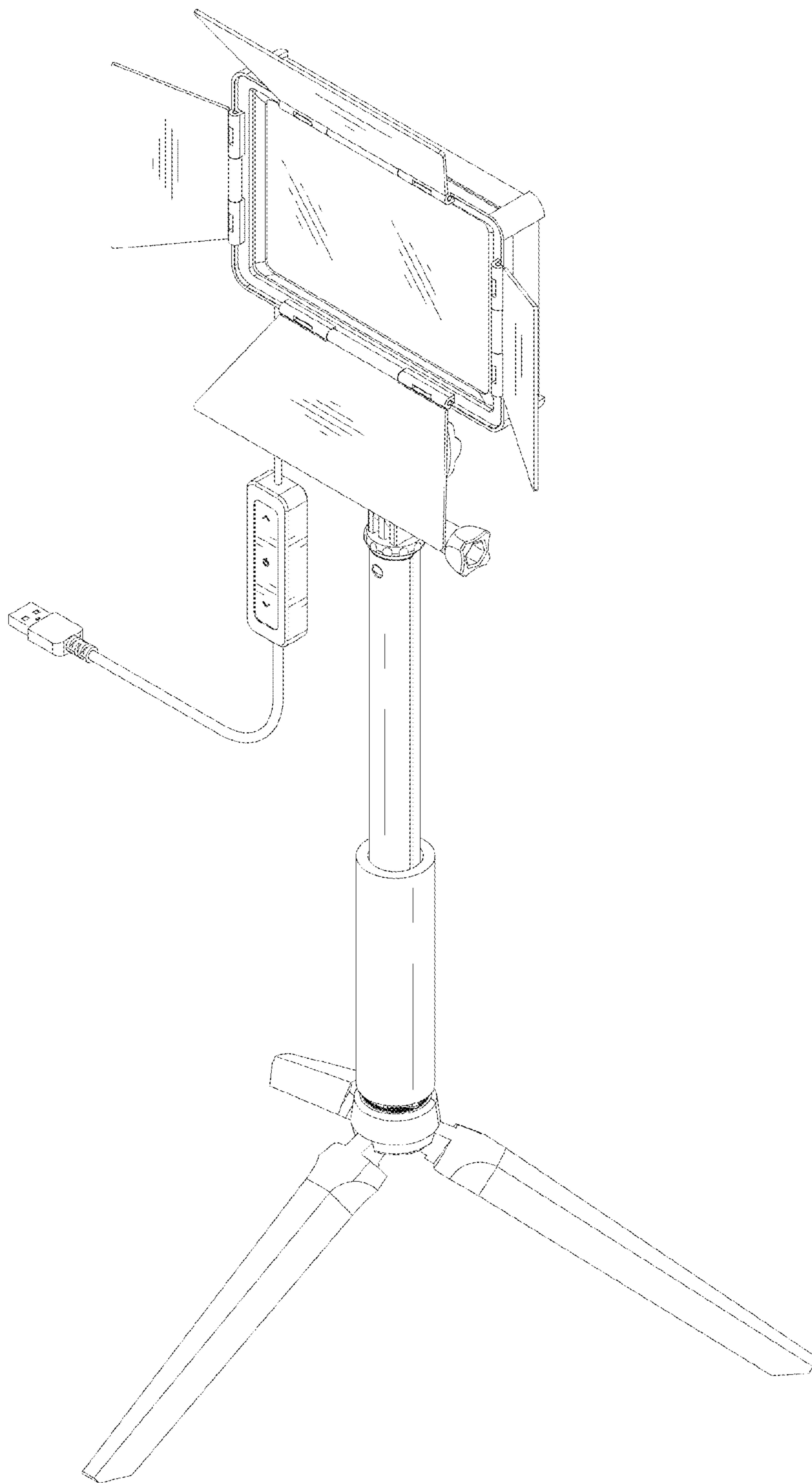


FIG. 1

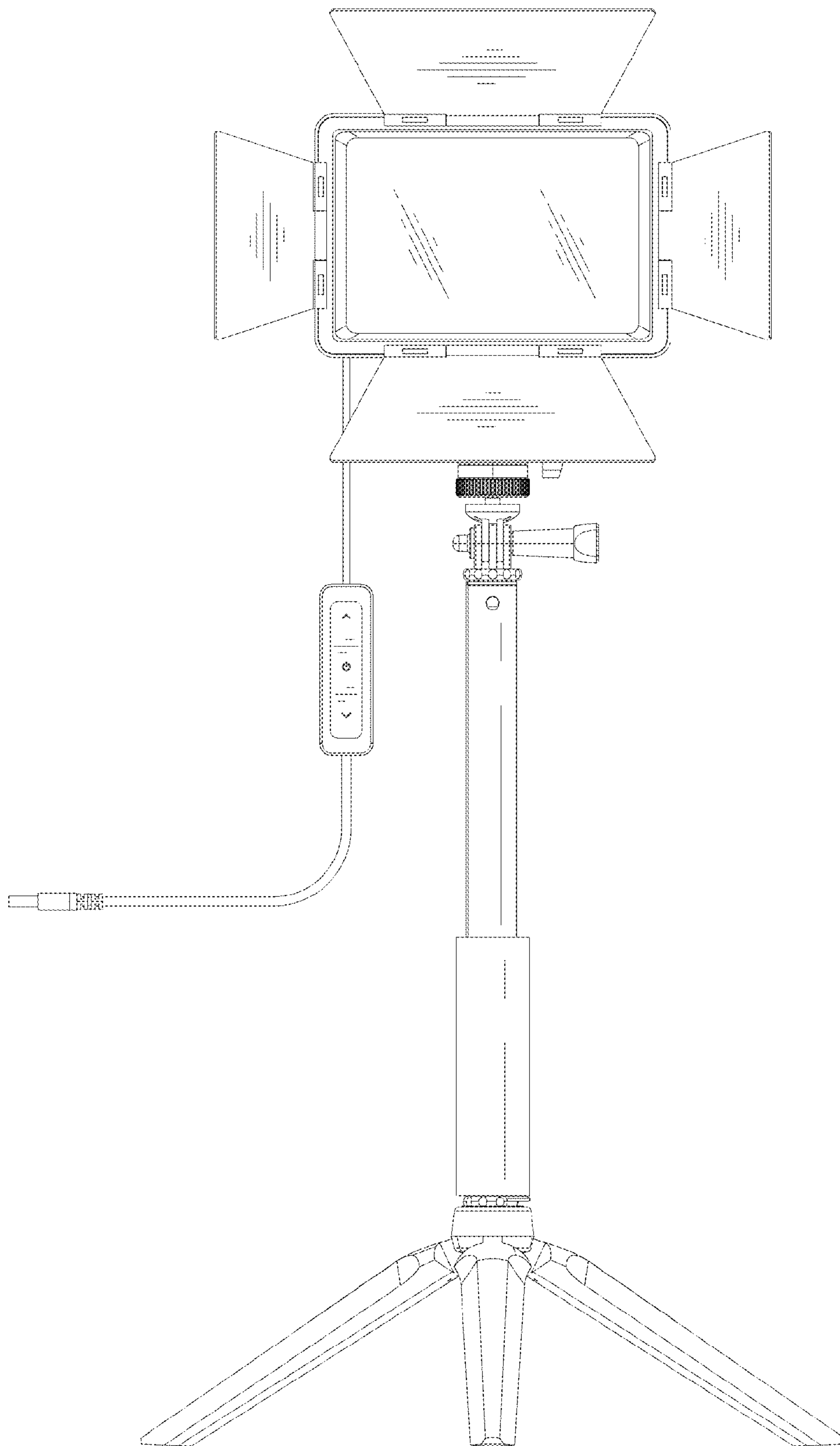


FIG. 2

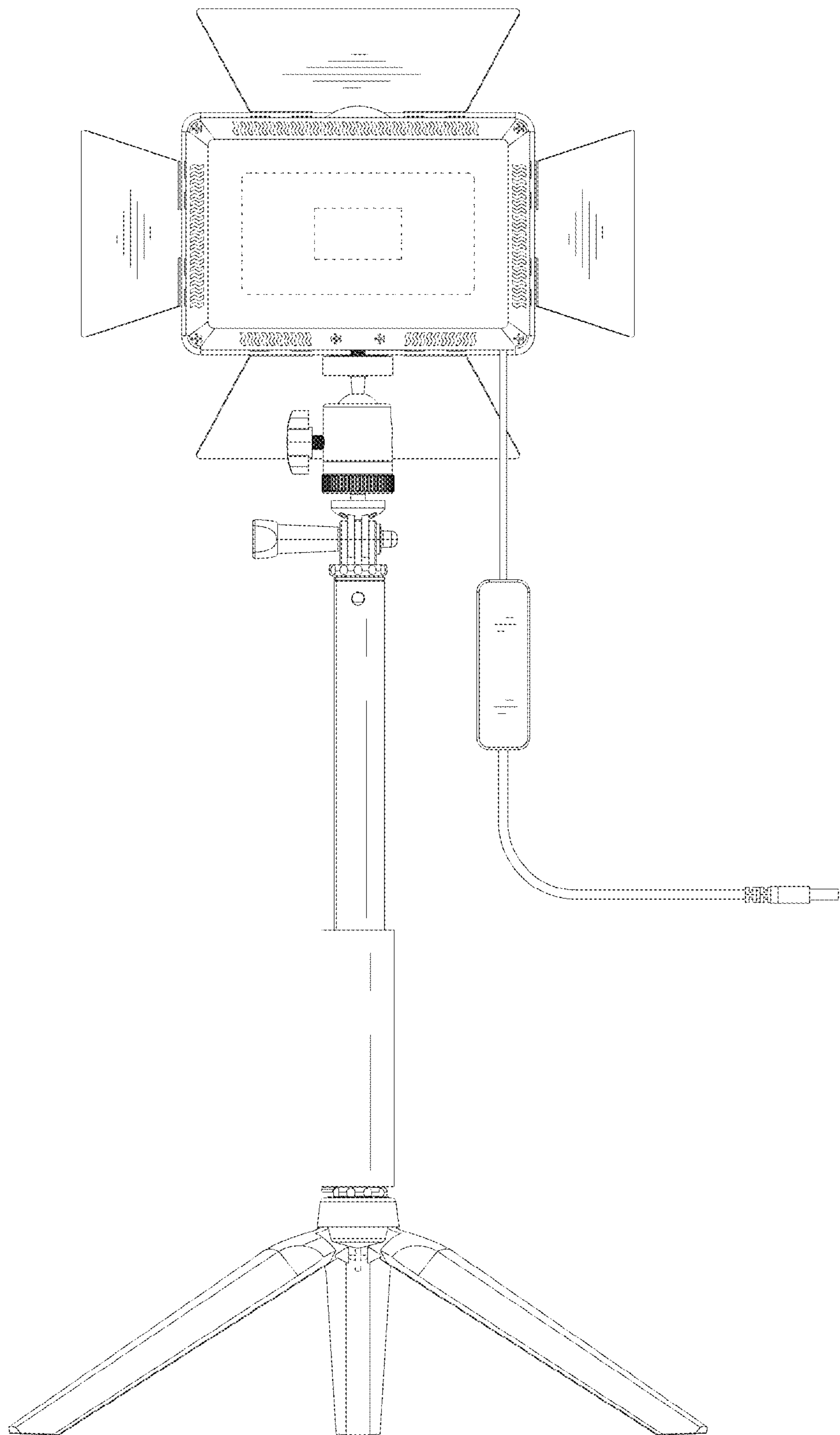


FIG. 3

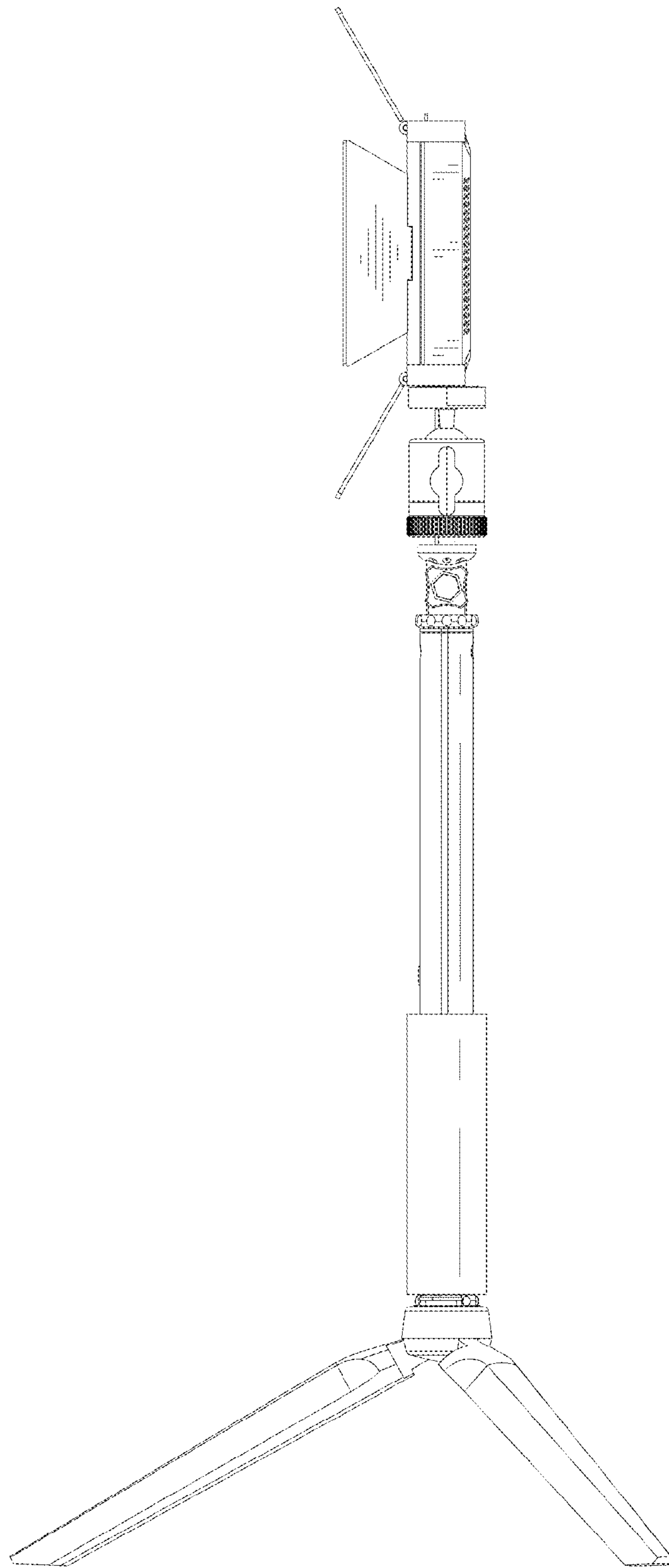


FIG. 4



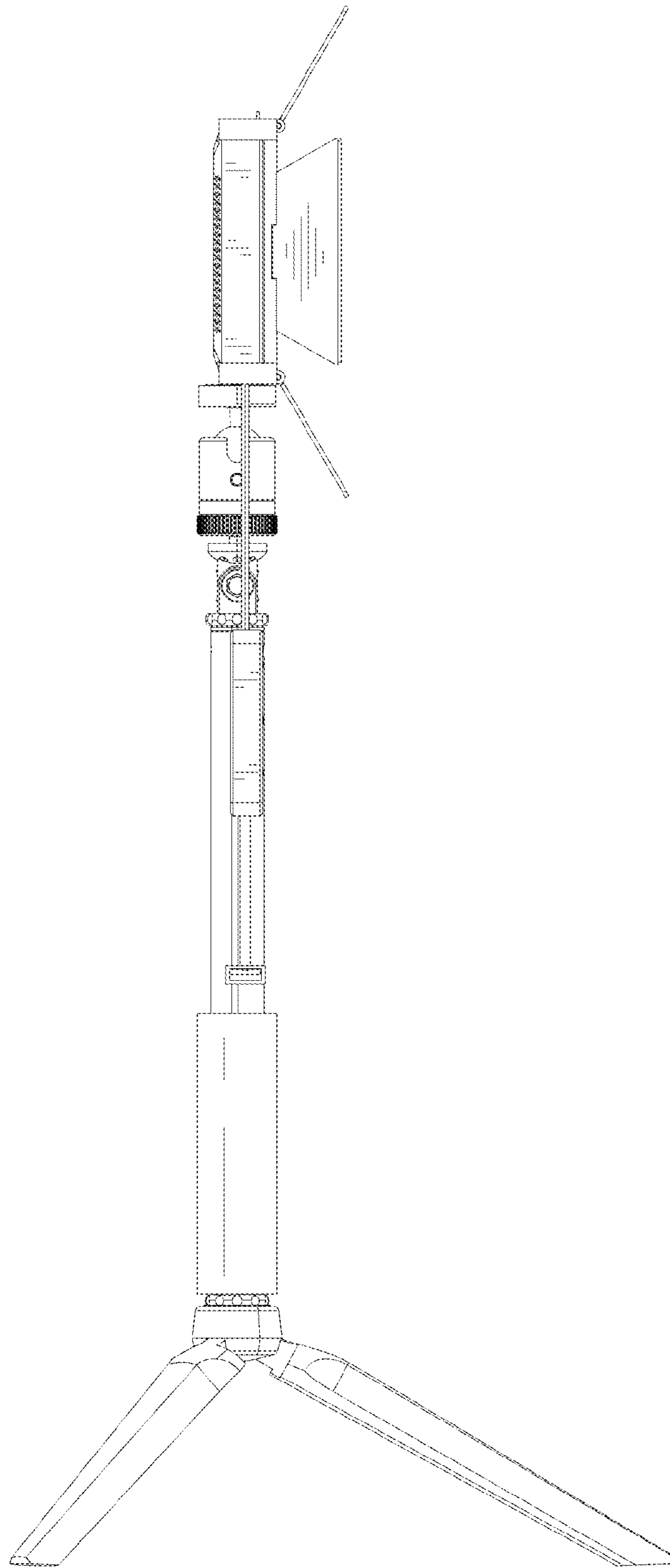


FIG. 5

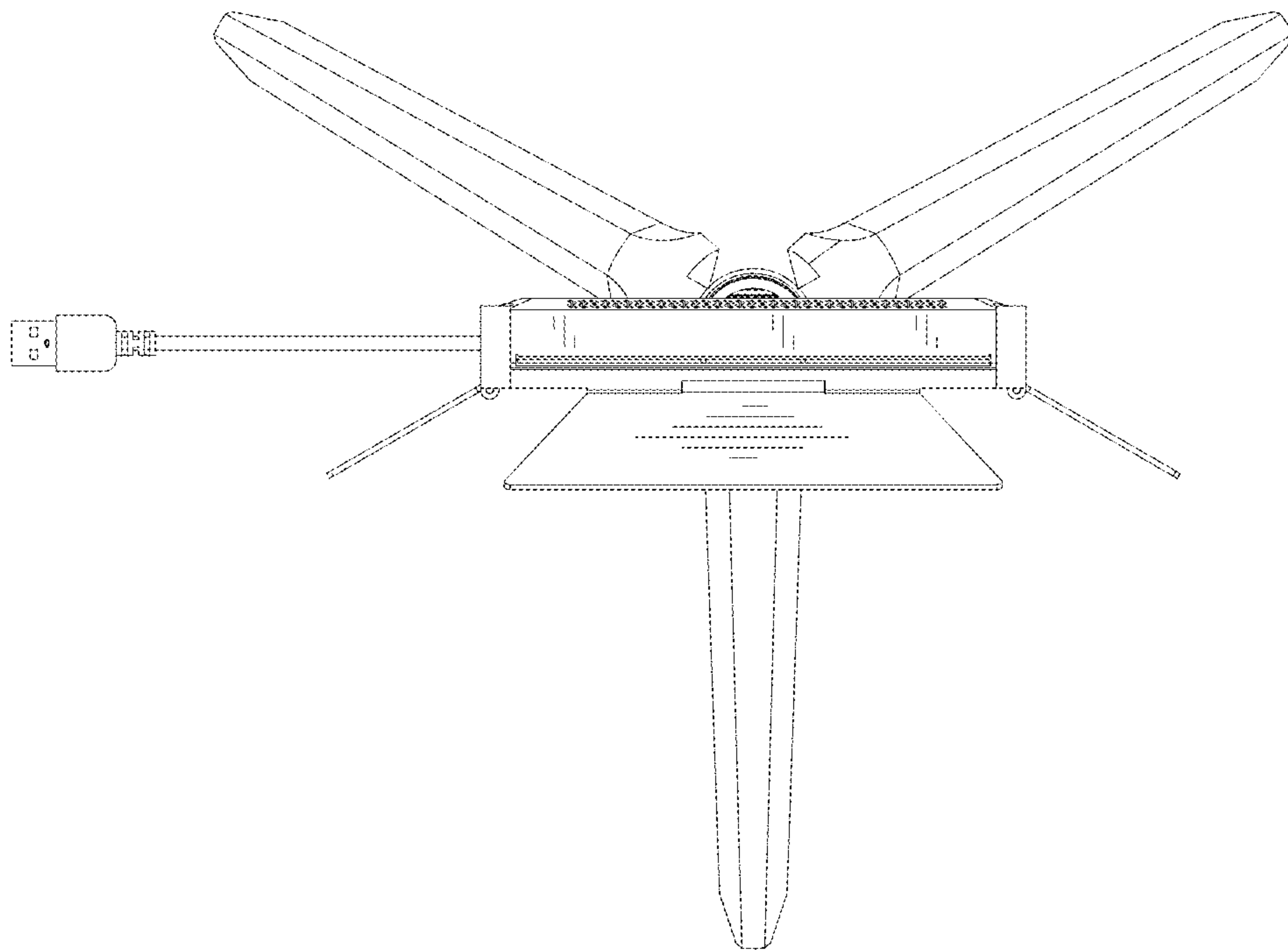


FIG. 6



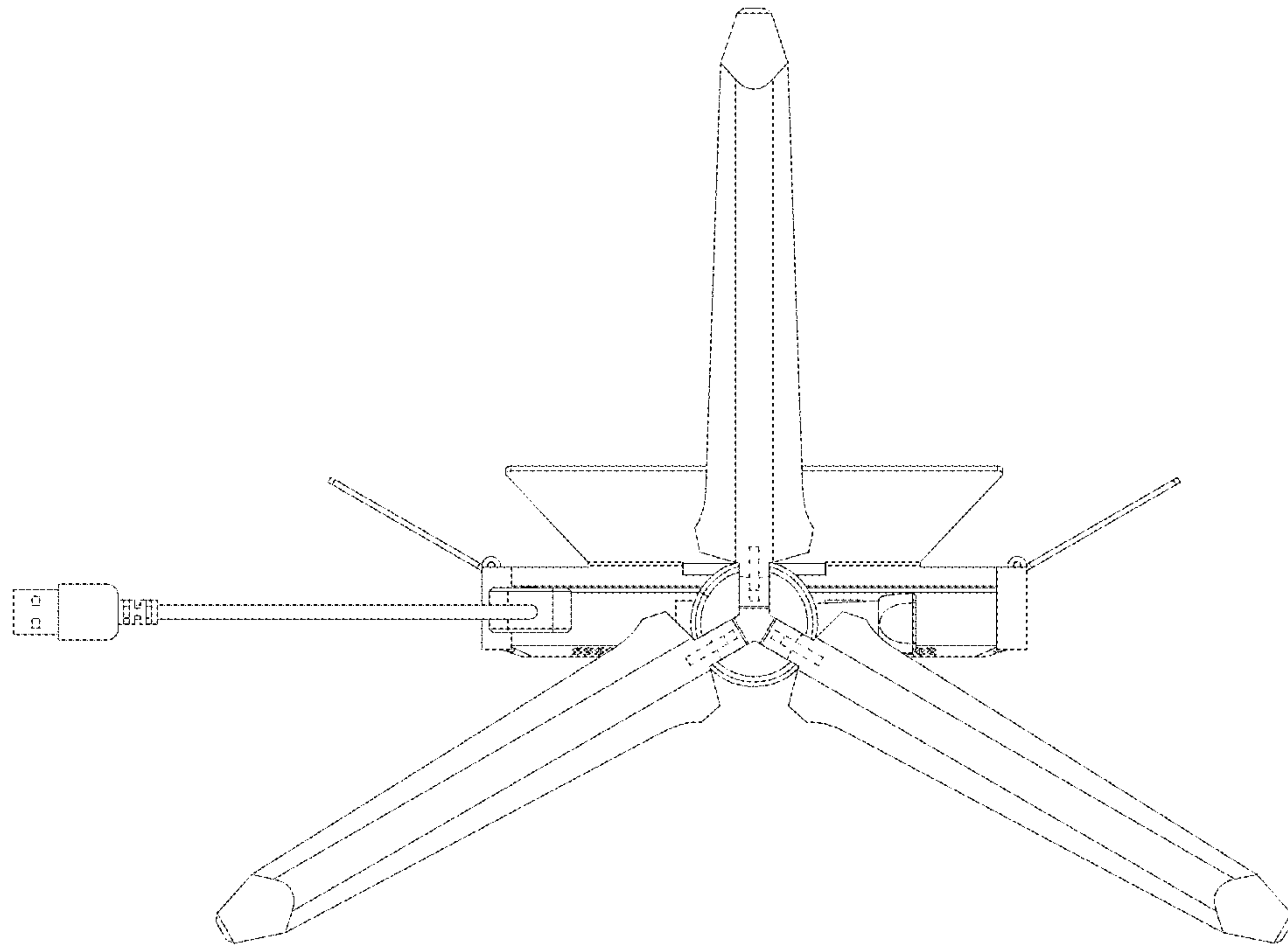


FIG. 7

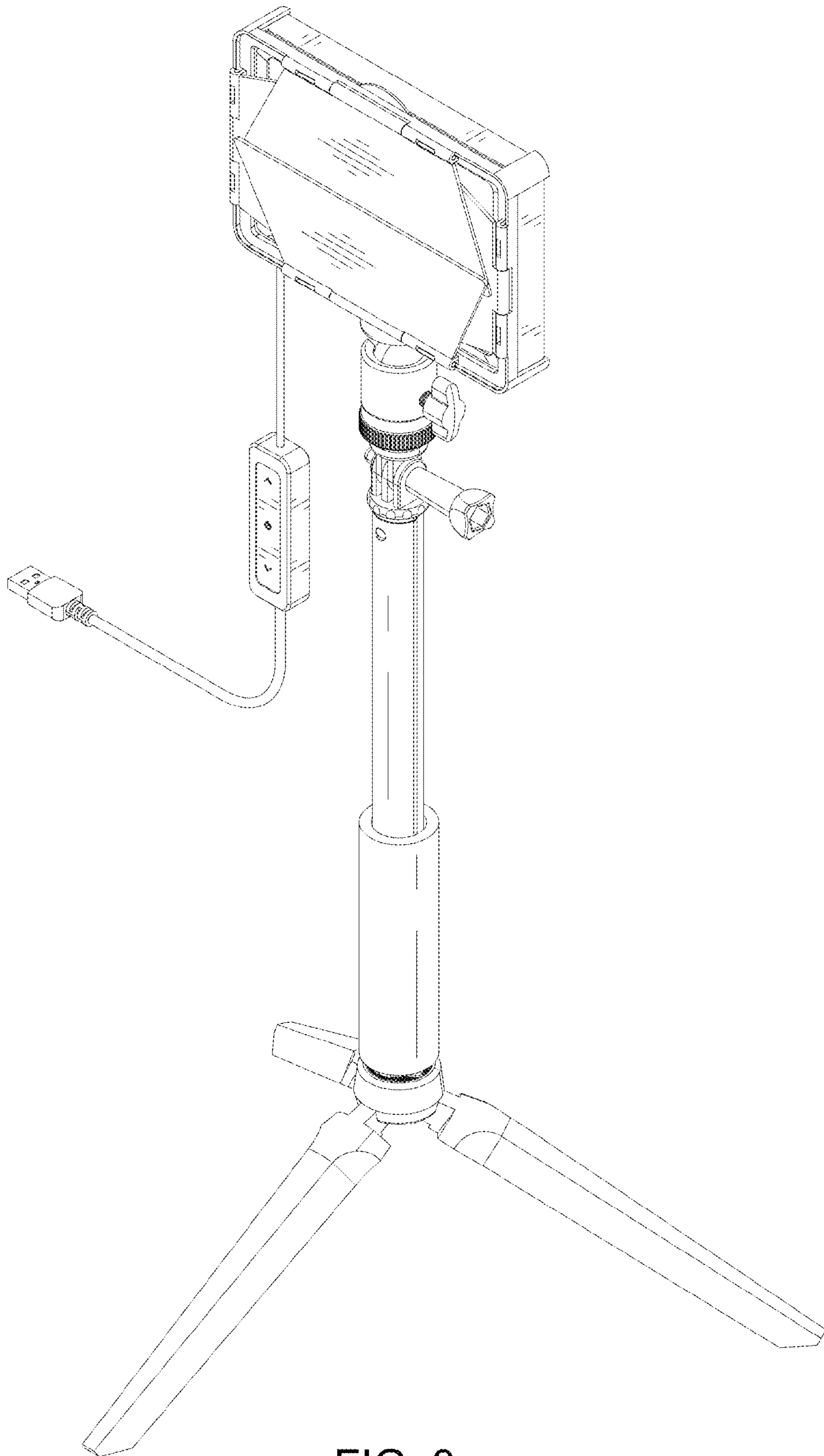


FIG. 8