



US00D957030S

(12) **United States Design Patent** (10) **Patent No.:** **US D957,030 S**
Cornelissen (45) **Date of Patent:** **** Jul. 5, 2022**

(54) **LUMINAIRE**
(71) Applicant: **Beta-Calco Inc.**, Toronto (CA)
(72) Inventor: **Serge C. R. H. Cornelissen**, Kortrijk-Marke (BE)
(73) Assignee: **Beta-Calco Inc.**, Toronto (CA)
(**) Term: **15 Years**

D667,985 S * 9/2012 Gielen D26/89
D697,658 S * 1/2014 Meise D26/87
D705,473 S * 5/2014 Messisaen D26/74
D825,092 S * 8/2018 Amato D26/88
D851,068 S * 6/2019 Ulloa D14/217
D880,756 S * 4/2020 Cornelissen D26/88
D893,083 S * 8/2020 Cornelissen D26/88
D899,667 S * 10/2020 Ami D26/88
D903,182 S * 11/2020 Eads D26/88

(21) Appl. No.: **29/753,560**
(22) Filed: **Sep. 30, 2020**
(51) **LOC (13) Cl.** **26-05**
(52) **U.S. Cl.**
USPC **D26/88**
(58) **Field of Classification Search**
USPC D26/72, 80, 81, 82, 84-90, 92
CPC F21S 8/04; F21S 8/043; F21S 8/046; F21S 8/06; F21S 8/061; F21S 8/063; F21S 8/065; F21S 8/066; F21S 8/068
See application file for complete search history.

OTHER PUBLICATIONS

Beta Calco, Triple Pendant. First available Oct. 31, 2018. Searched on Feb. 22, 2022. [<https://betacalco.com/products/triple-copy-519/configurator-copy-503>] (Year: 2018).*

(Continued)

Primary Examiner — Samantha Q Lawrence
Assistant Examiner — Melissa Adriane Santos
(74) *Attorney, Agent, or Firm* — Renner, Otto, Boisselle & Sklar, LLP

(56) **References Cited**

U.S. PATENT DOCUMENTS

D253,854 S * 1/1980 Strignano D26/89
D355,722 S * 2/1995 Roos D26/63
D376,284 S * 12/1996 Keeley D6/520
D384,430 S * 9/1997 Lecluze D26/24
6,073,868 A * 6/2000 Stevens B65H 75/10
40/309
D452,750 S * 1/2002 Habibi D27/138
D465,298 S * 11/2002 Gottwald D26/85
D565,230 S * 3/2008 Hetfield D26/88
D575,444 S * 8/2008 Lissoni D26/137
D617,031 S * 6/2010 Redfern D26/85
D625,852 S * 10/2010 Franklin D26/22
D639,488 S * 6/2011 Yoshida D26/89

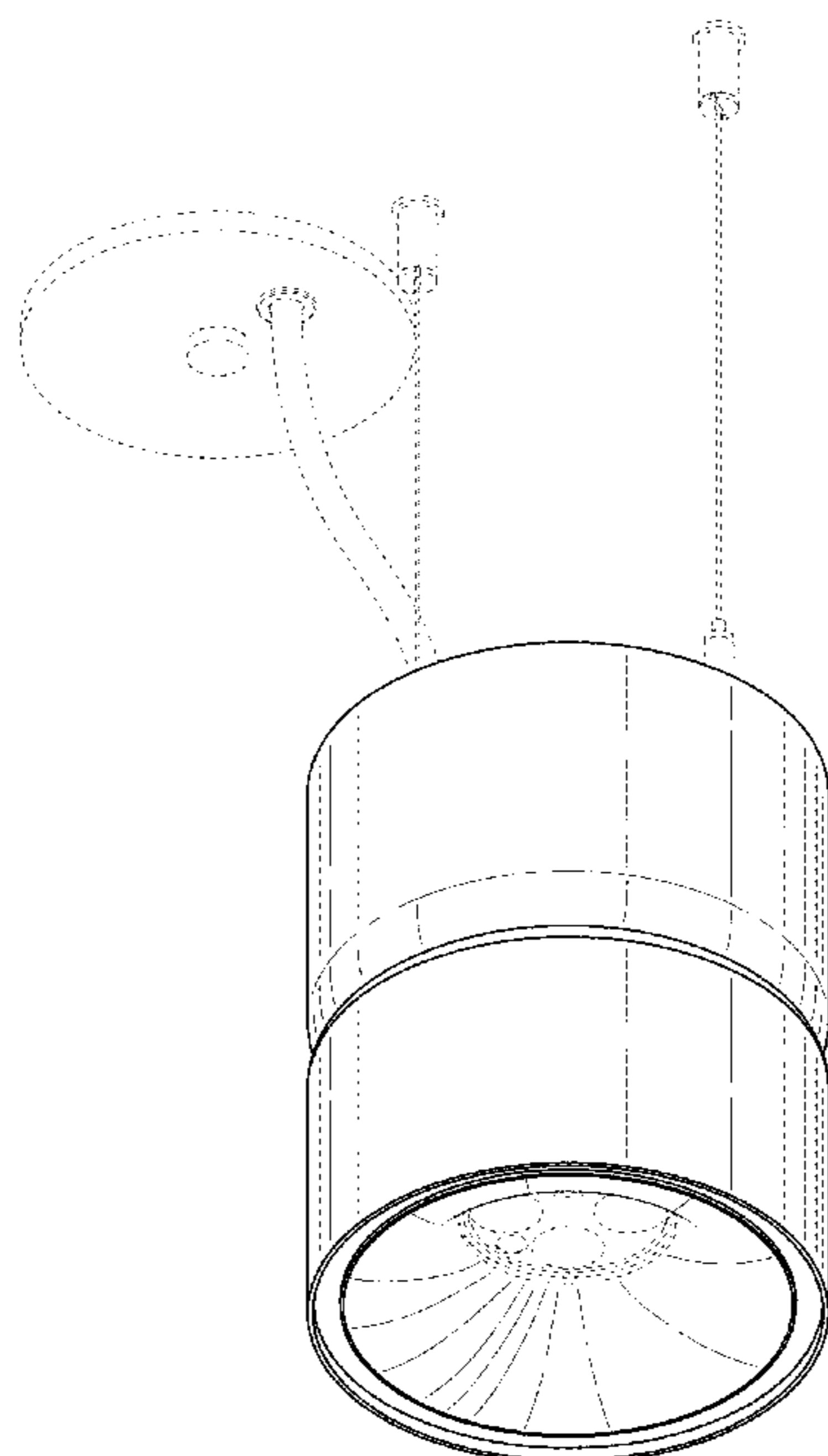
(57) **CLAIM**

The ornamental design for a luminaire, as shown and described.

DESCRIPTION

FIG. 1 is a bottom perspective view of a luminaire showing the design;
FIG. 2 is a front view thereof;
FIG. 3 is a rear view thereof;
FIG. 4 is a right side view thereof;
FIG. 5 is a left side view thereof;
FIG. 6 is a top view thereof; and,
FIG. 7 is a bottom view thereof.
The portions of the luminaire shown in broken lines form no part of the design.

1 Claim, 7 Drawing Sheets



(56)

References Cited

OTHER PUBLICATIONS

Artemide, Hoy Spot. First available unknown. Searched on Feb. 9, 2022. [<https://www.artemide.com/en/subfamily/4746397/hoy-spot-smd?series=1>] (Year: 2022).*

Werner Aisslinger for B-Lux, Pendant Light. First available unknown. Searched on Feb. 17, 2022. [<https://www.nedgis.com/en/products/pendant-light-aspen-s17a-snow-turquoise-h34cm-b-lux>] (Year: 2022).*

* cited by examiner

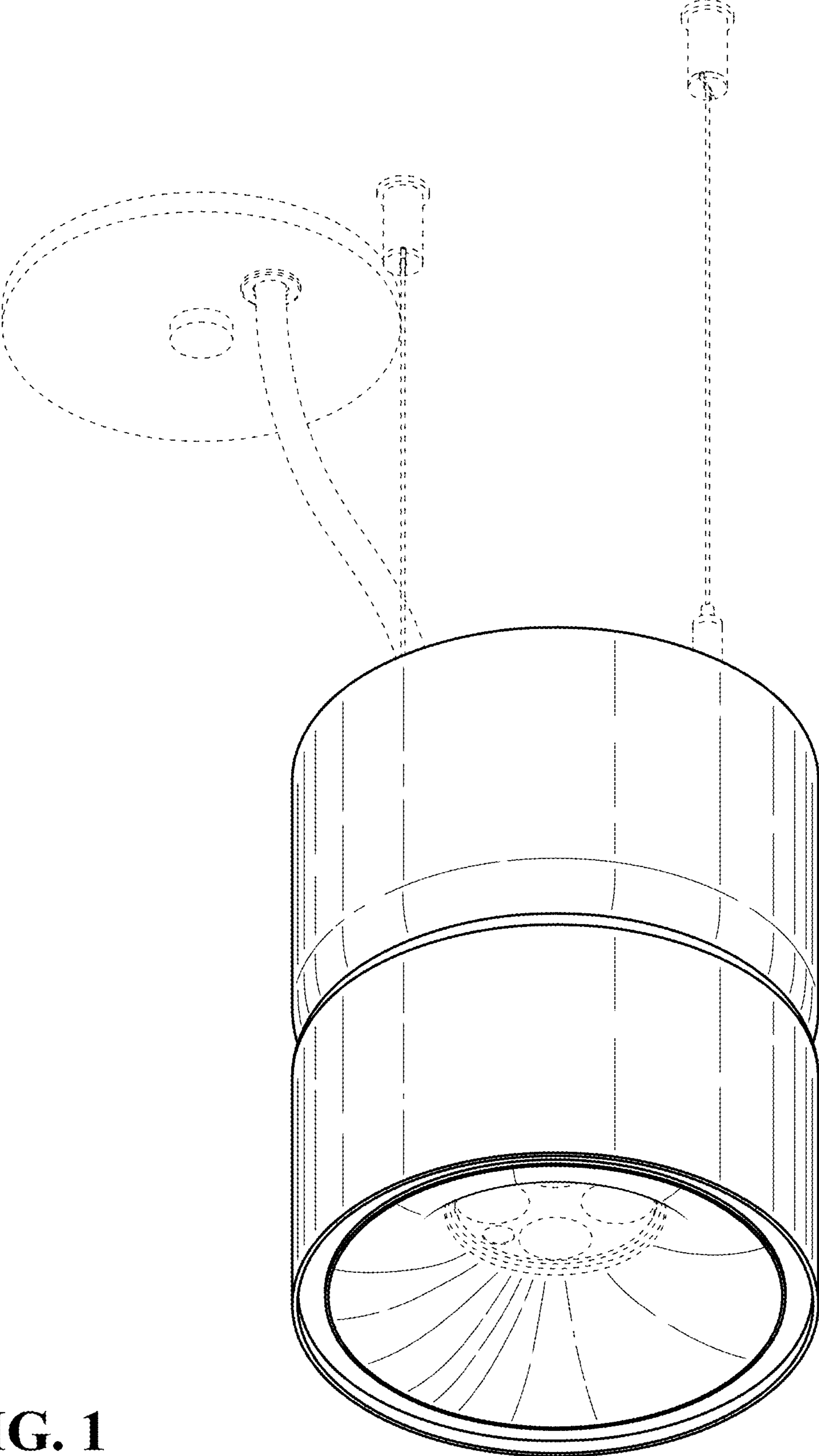


FIG. 1

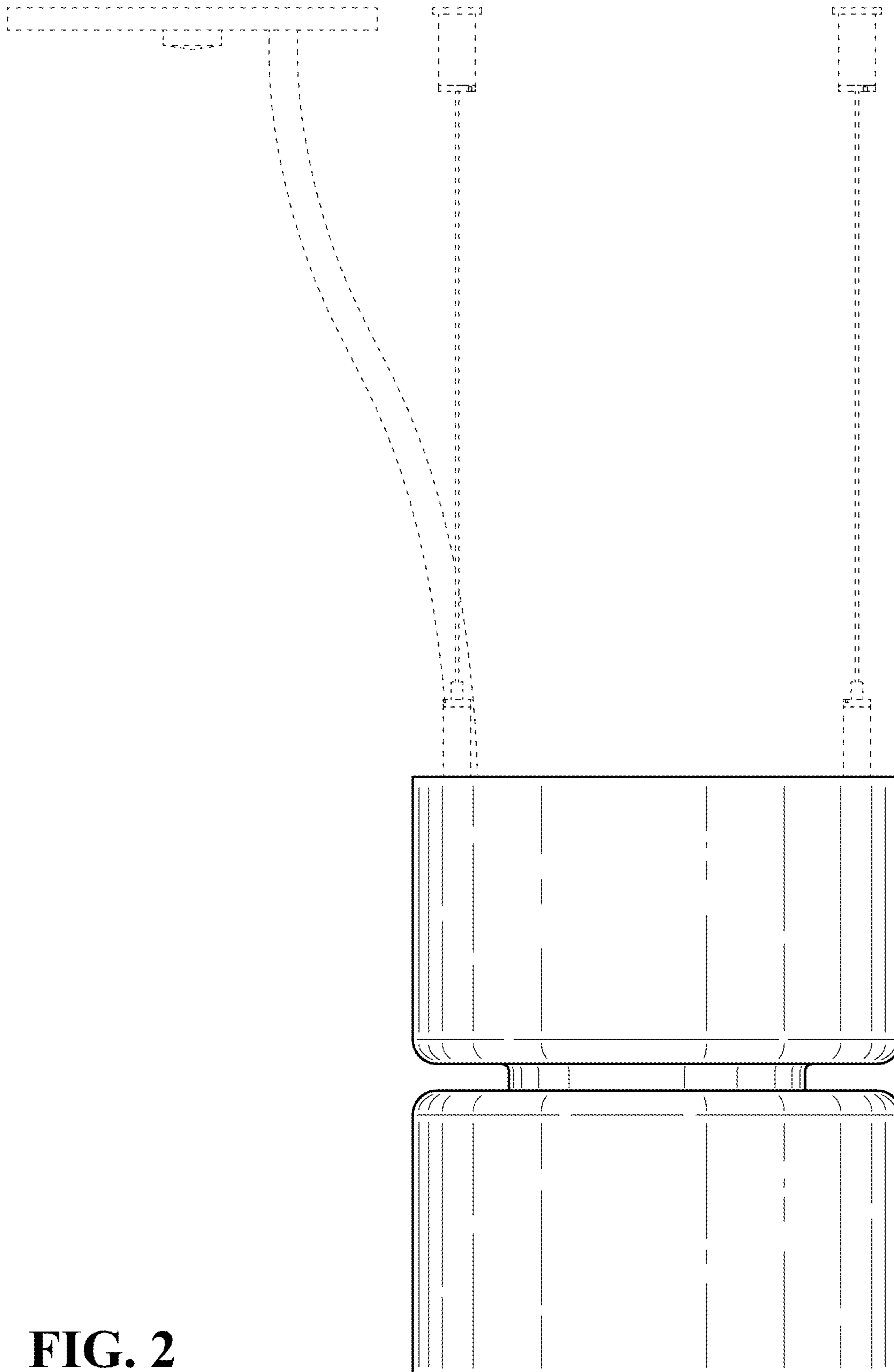


FIG. 2

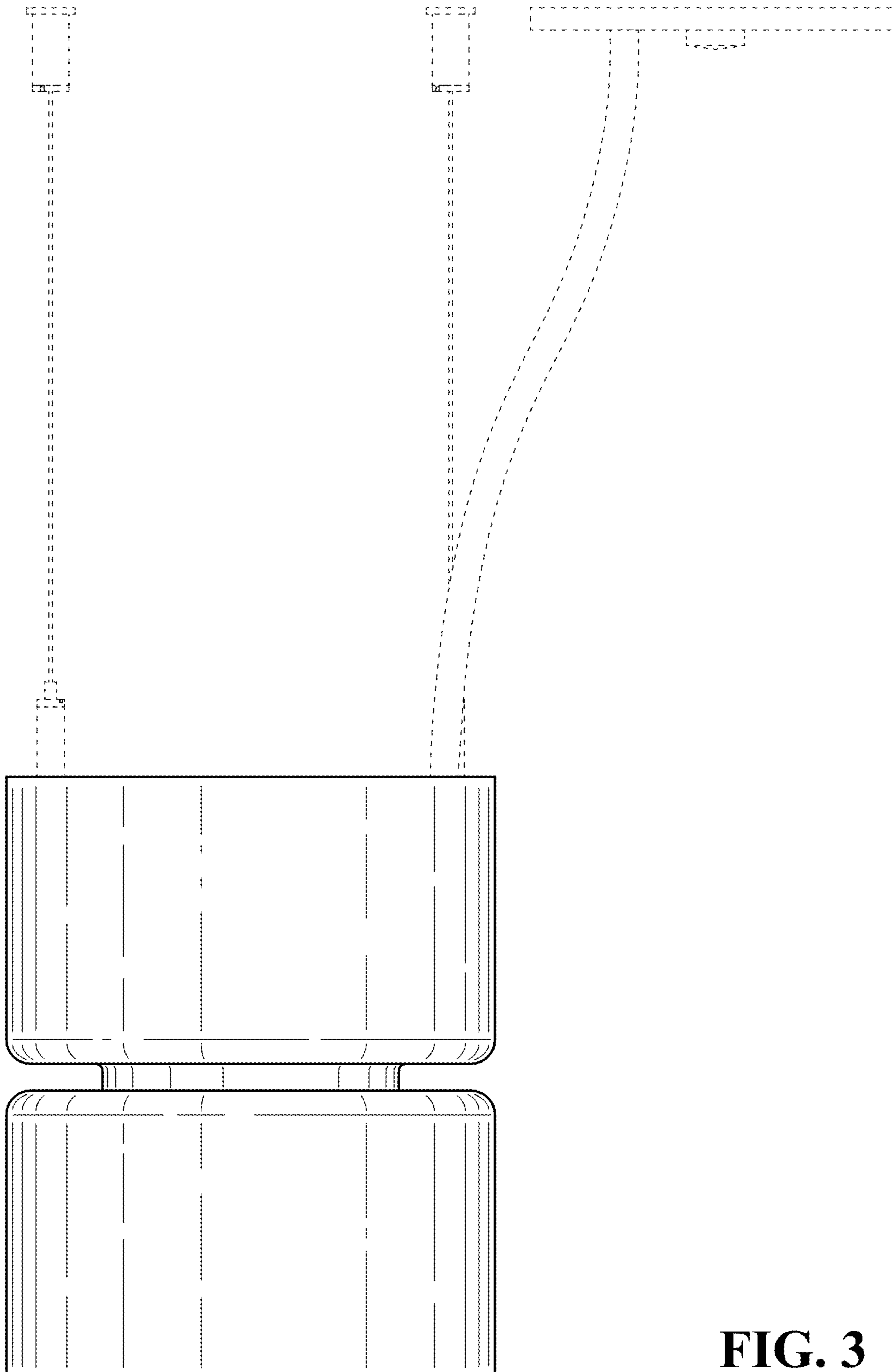


FIG. 3

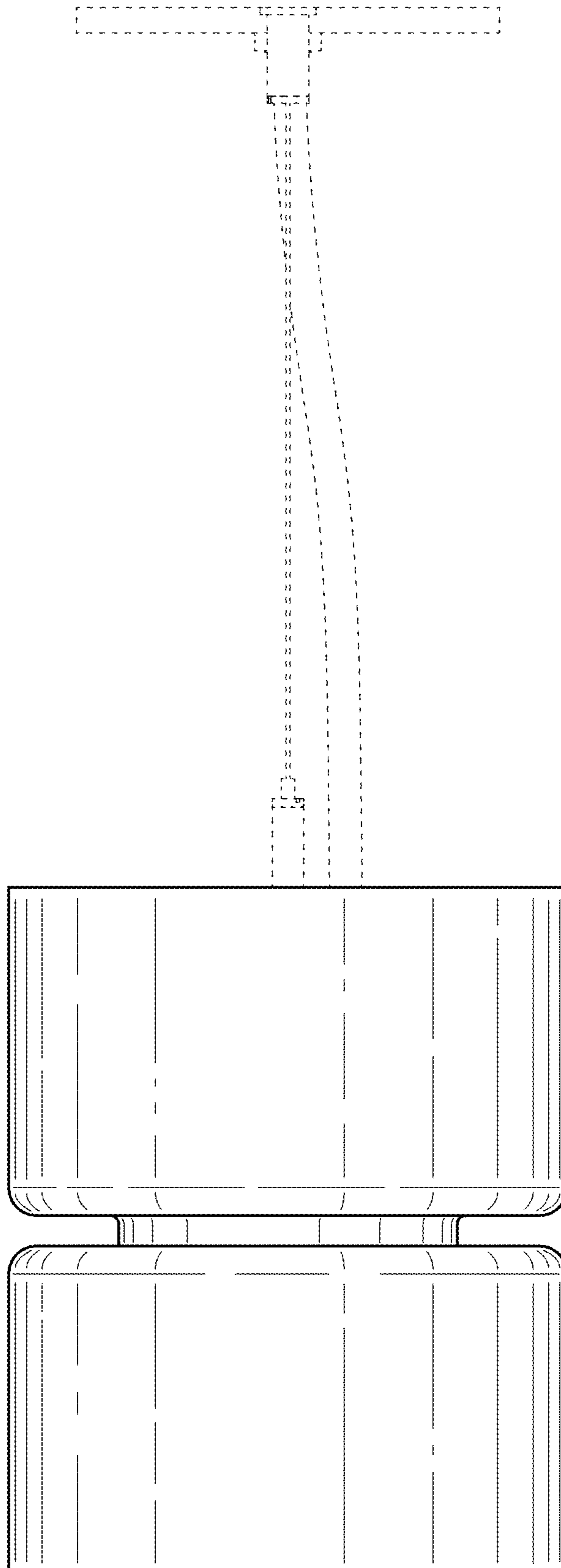


FIG. 4

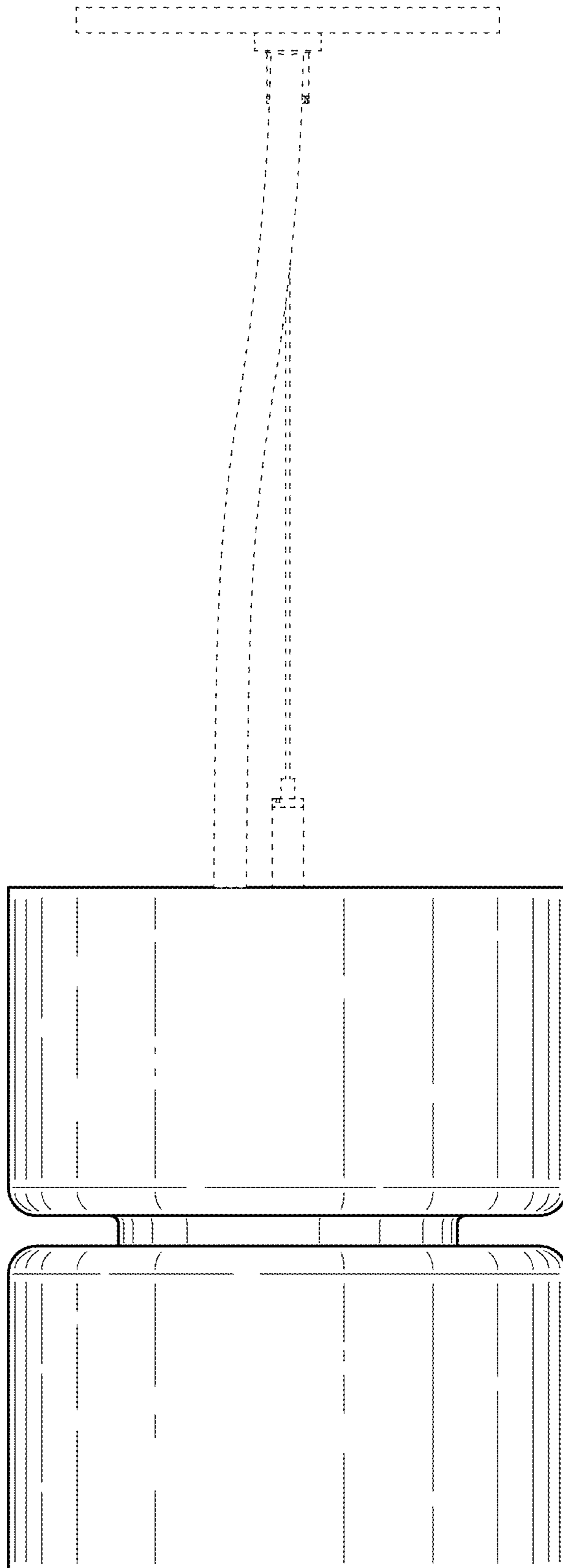


FIG. 5

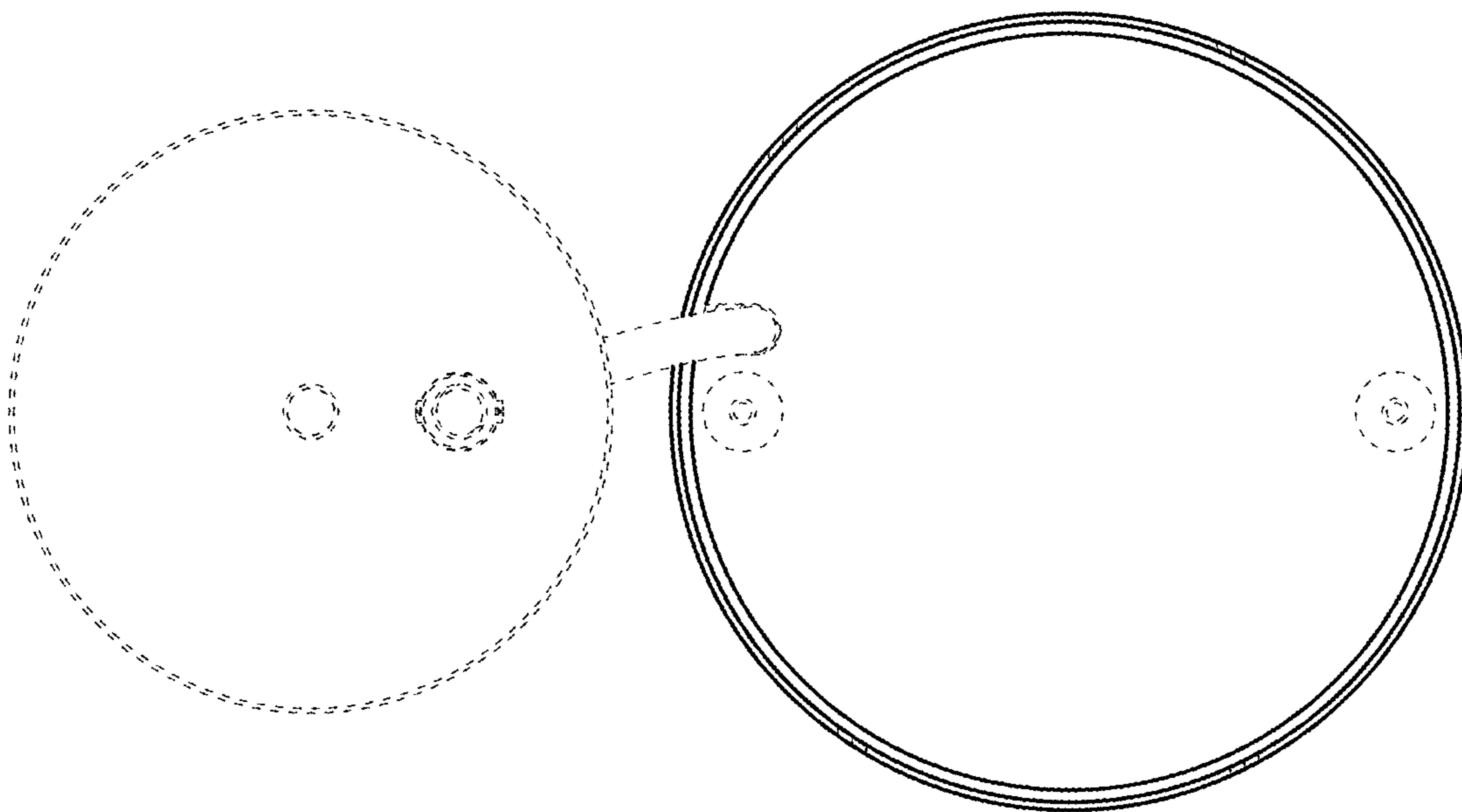


FIG. 6

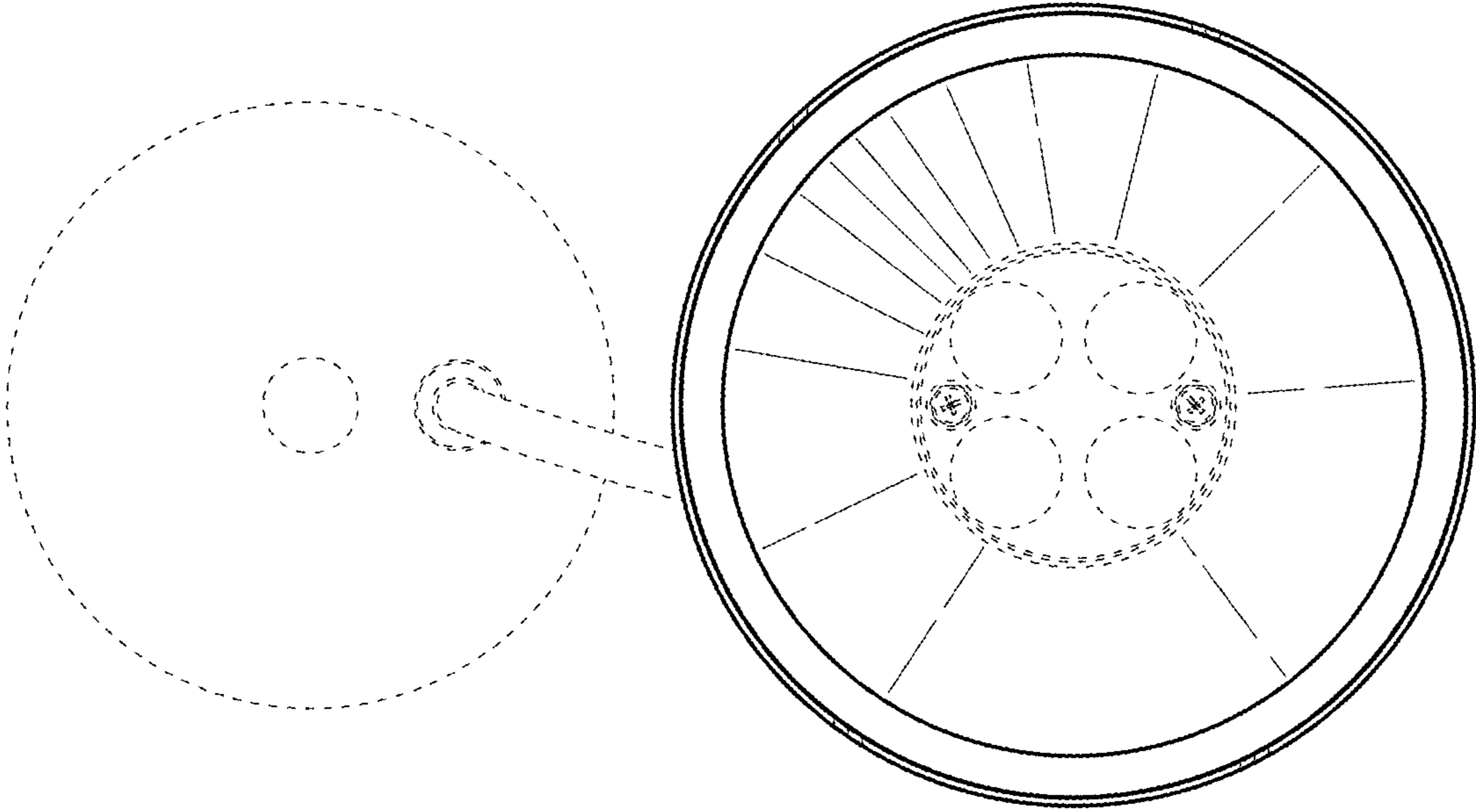


FIG. 7