



US00D957026S

(12) **United States Design Patent**  
**Zhou**

(10) **Patent No.:** **US D957,026 S**  
(45) **Date of Patent:** **\*\* Jul. 5, 2022**

(54) **TOP LIGHT HORTICULTURAL PLANT LIGHT**

(71) Applicant: **Zhao-Hua Zhou**, Zhongshan (CN)

(72) Inventor: **Zhao-Hua Zhou**, Zhongshan (CN)

(73) Assignee: **ZHONGSHAN KORAY OPTO-ELECTRONIC CO., LTD**, Zhongshan (CN)

(\*\*) Term: **15 Years**

(21) Appl. No.: **29/713,944**

(22) Filed: **Nov. 20, 2019**

(30) **Foreign Application Priority Data**

Aug. 1, 2019 (CN) ..... 201930416265.3

(51) **LOC (13) Cl.** ..... **26-05**

(52) **U.S. Cl.**  
USPC ..... **D26/76; D26/80**

(58) **Field of Classification Search**  
USPC ..... D26/24, 71, 72, 76, 78, 80-82, 85-87, D26/90, 92, 113, 118, 120, 138, 145, 155  
CPC .. F21S 8/033; F21S 8/036; F21S 8/061; F21S 8/063; F21S 8/068; F21S 8/085; F21S 8/086; F21W 2131/103; F21W 2131/105; F21W 2131/107; G02B 6/24; G02B 6/0001

See application file for complete search history.

(56) **References Cited**

**U.S. PATENT DOCUMENTS**

- D348,947 S \* 7/1994 Holcomb ..... D26/76
- D397,818 S \* 9/1998 Herst ..... D26/119
- D424,230 S \* 5/2000 Noh ..... D26/76
- D452,579 S \* 12/2001 Shemitz ..... D26/76
- D459,012 S \* 6/2002 Shemitz ..... D26/76
- D504,190 S \* 4/2005 Keller ..... D26/76

- D602,627 S \* 10/2009 Lasthein ..... D26/77
- D624,229 S \* 9/2010 Adolph ..... D26/76
- D629,554 S \* 12/2010 Gielen ..... D26/80
- D775,395 S \* 12/2016 Huyghe ..... D26/80
- D855,237 S \* 7/2019 Liu ..... D26/76
- D877,391 S \* 3/2020 Lin ..... D26/76
- D880,043 S \* 3/2020 Guerra ..... D26/76

**FOREIGN PATENT DOCUMENTS**

CN RGN\_305628054 \* 2/2020

**OTHER PUBLICATIONS**

IP66\_Full\_Spectrum\_Samsung\_ (available online) Retrieved from the internet Apr. 22, 2022 from URL: <https://www.horticultureledgrowlight.com/sale-13334778-ip66-full-spectrum-samsung-lm301h-horticulture-led-grow-lights.html>.\*

LED\_Grow\_Light (available online) Retrieved from the internet Apr. 22, 2022 from URL: <https://iq.lighting/products/zen?variant=37265925111965>.\*

\* cited by examiner

*Primary Examiner* — Richard Kearney

(74) *Attorney, Agent, or Firm* — Georgi Korobanov

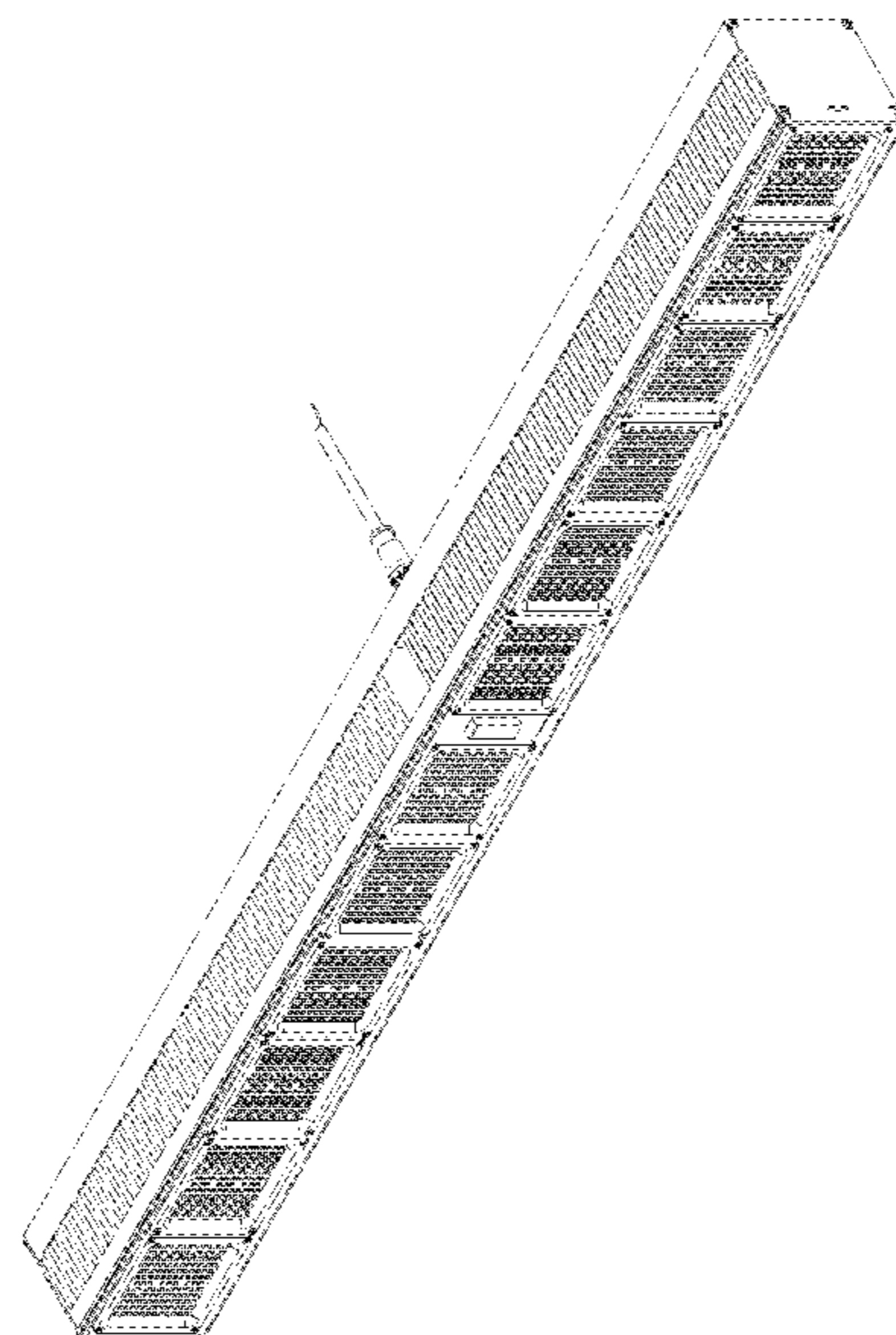
(57) **CLAIM**

The ornamental design for a top light horticultural plant light, as shown and described.

**DESCRIPTION**

FIG. 1 is a perspective view of a top light horticultural plant light thereof;  
FIG. 2 is a front elevational view thereof;  
FIG. 3 is a top plan view thereof;  
FIG. 4 is a left side elevational view thereof;  
FIG. 5 is a rear elevational view thereof;  
FIG. 6 is a right side view thereof; and,  
FIG. 7 is a bottom plan view thereof.

**1 Claim, 7 Drawing Sheets**



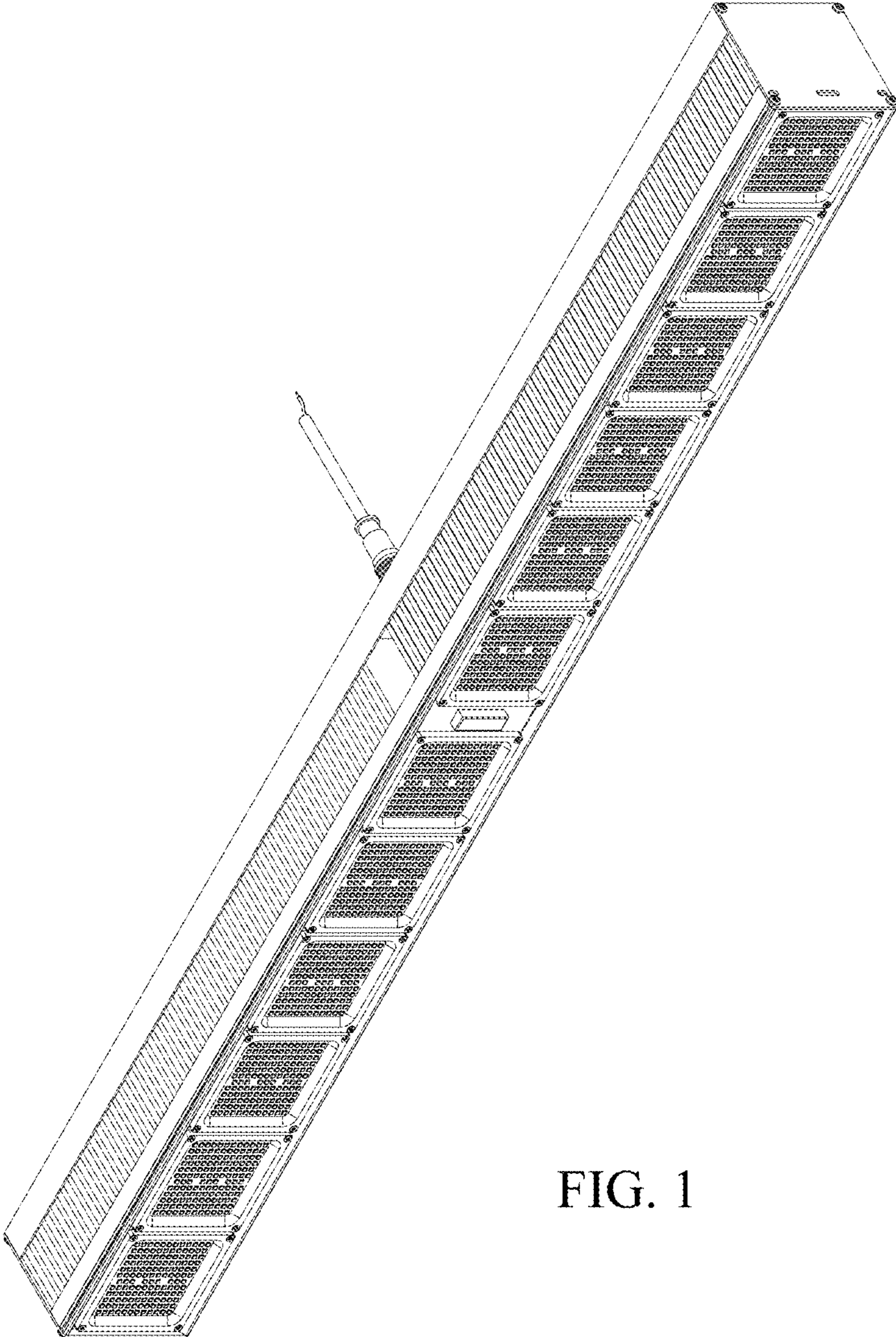


FIG. 1

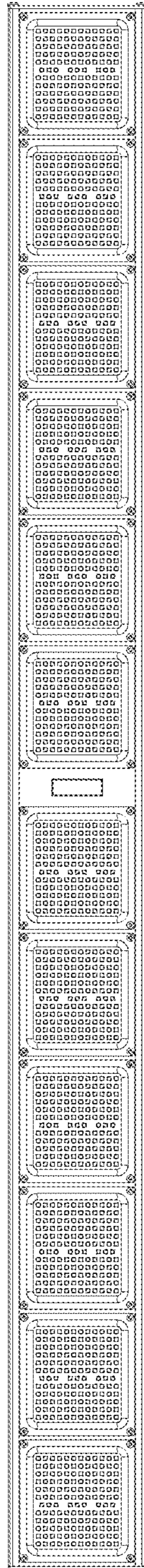


FIG. 2

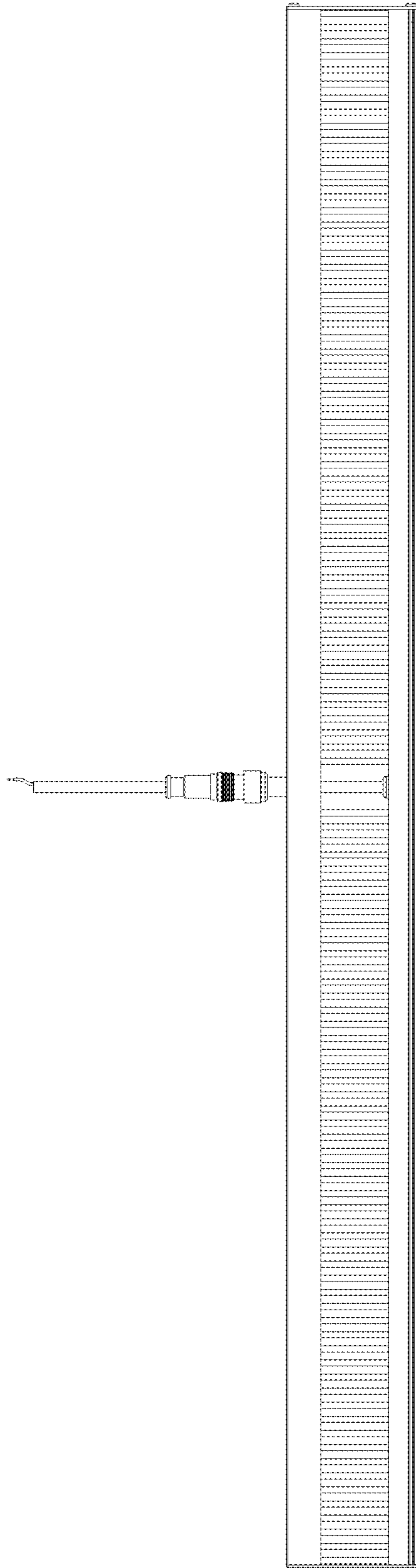


FIG. 3

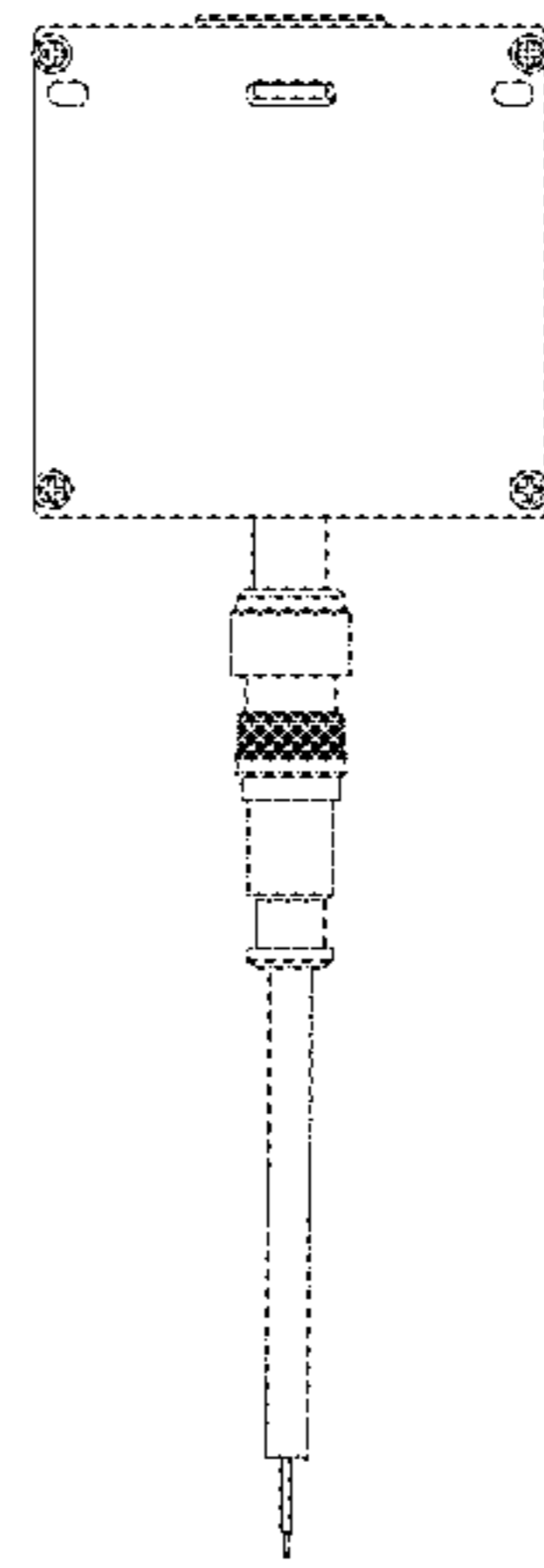


FIG. 4

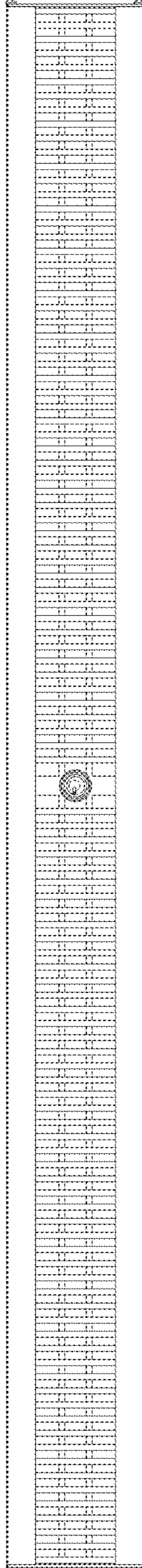


FIG. 5

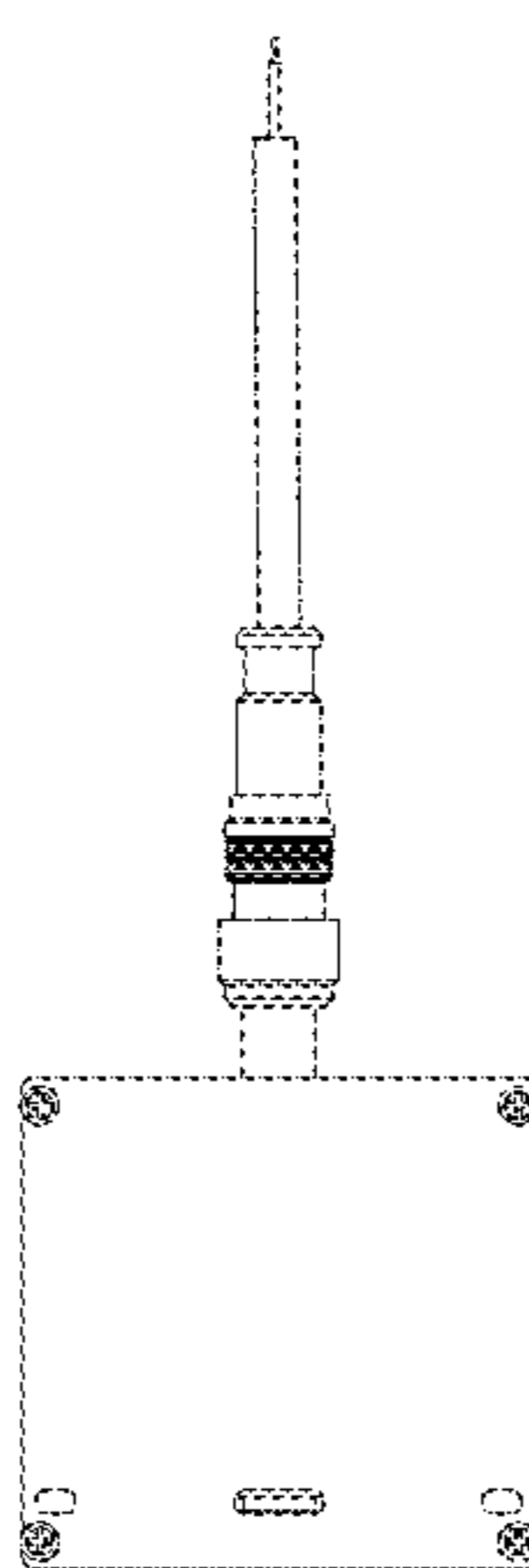


FIG. 6

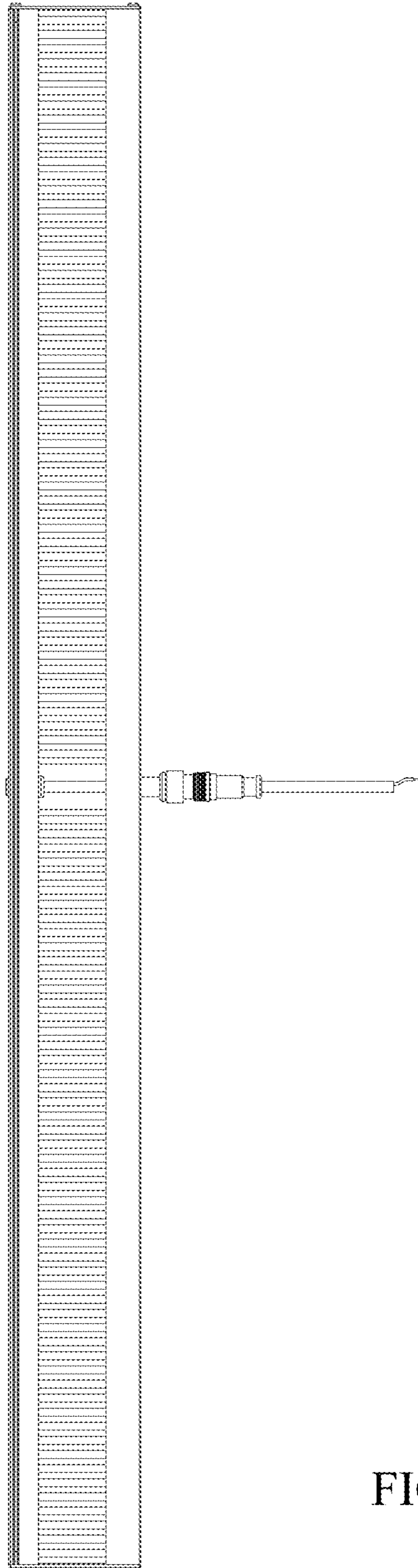


FIG. 7