



US00D957025S

(12) **United States Design Patent** (10) **Patent No.:** **US D957,025 S**
Qiu (45) **Date of Patent:** **** Jul. 5, 2022**

(54) **LED LIGHT**
(71) Applicant: **Lin Qiu**, Jiangxi (CN)
(72) Inventor: **Lin Qiu**, Jiangxi (CN)
(**) Term: **15 Years**
(21) Appl. No.: **29/712,601**

CN 302425280 * 5/2013
CN 302843804 * 6/2014
CN 203927494 U * 11/2014 F21S 2/00
CN 302995918 * 11/2014
CN 204153527 U * 2/2015 F21S 2/00
CN 204187321 * 3/2015 F21S 2/00
CN 204187326 U * 3/2015 F21S 2/00
CN 303128916 * 3/2015
CN 204372829 U * 6/2015 F21V 17/10
CN 204403857 U * 6/2015 F21S 2/00

(Continued)

(22) Filed: **Nov. 8, 2019**
(51) **LOC (13) Cl.** **26-04**
(52) **U.S. Cl.**
USPC **D26/76; D26/72**
(58) **Field of Classification Search**
USPC D26/3, 24-27, 60-69, 72, 74-78, 80-86,
D26/88, 89, 93, 104, 106, 108-115,
D26/118-120, 122-124, 130, 133-137,
D26/37-42, 46, 50; D10/111-115
CPC F21Y 2115/10; F21Y 2103/00; F21K 9/27;
F21K 9/275; F21V 7/005; F21S 4/28
See application file for complete search history.

OTHER PUBLICATIONS

“User Manual Part No. IT-524 IT5-NW36 IT5-WW36k,” Aug. 12, 2016, superbrightleds.com, site visited Mar. 2, 2021, URL: <https://d114hh0cykhyb0.cloudfront.net/pdfs/IT5-NWx.pdf> (Year: 2016).*

(Continued)

Primary Examiner — Eric L Goodman
Assistant Examiner — Sarah L Smith

(57) **CLAIM**

The ornamental design for a LED light, as shown and described.

(56) **References Cited**

U.S. PATENT DOCUMENTS

D785,820 S * 5/2017 Gao F21V 3/10
D26/2
2013/0314892 A1* 11/2013 Maxik et al. F21V 13/08
2014/0126190 A1* 5/2014 Dixon et al. F21K 9/60
2014/0347849 A1* 11/2014 Xu et al. F21S 4/28
2016/0348851 A1* 12/2016 Amrine F21K 9/27
2018/0245754 A1* 8/2018 Gensler F21V 3/10

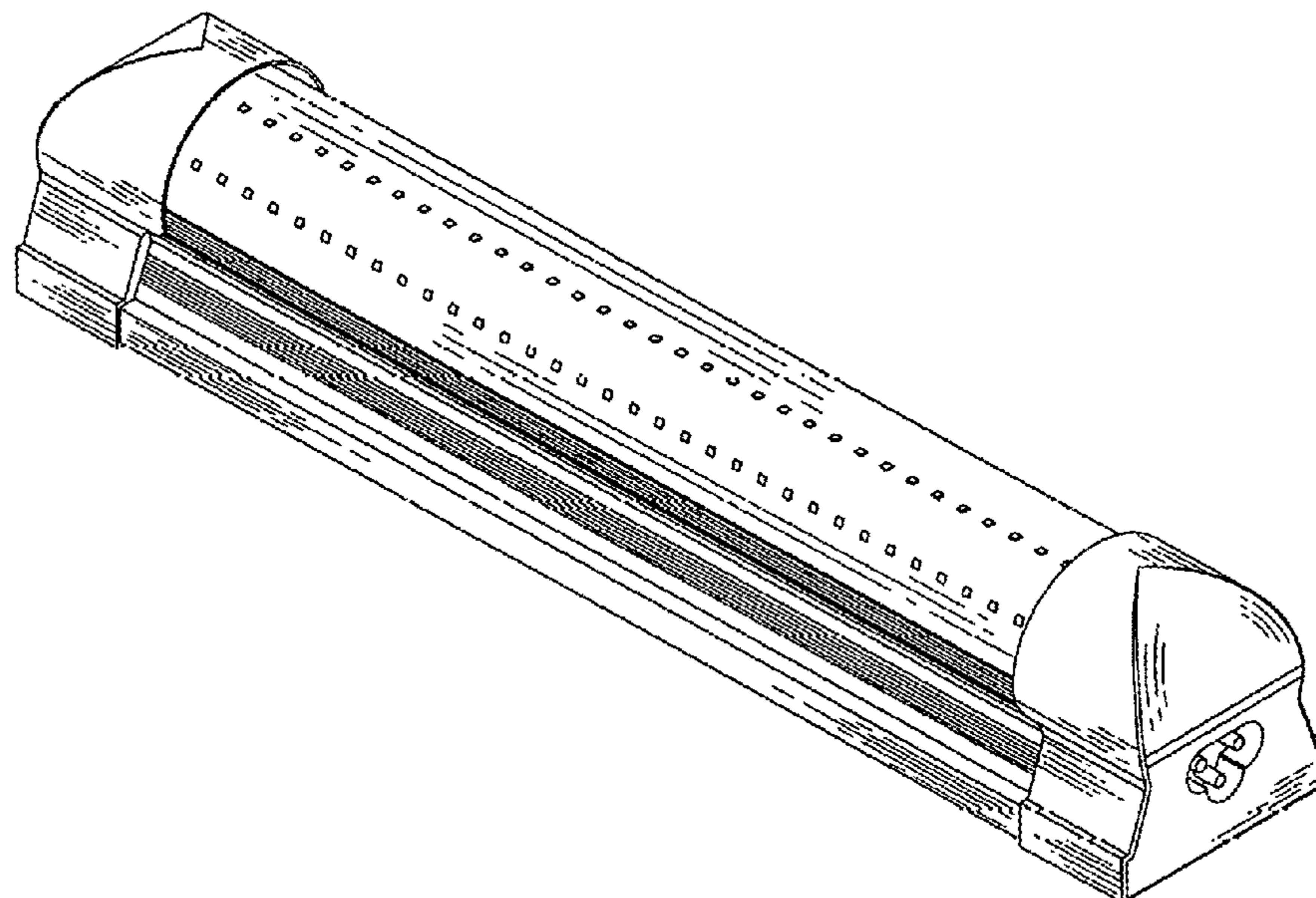
FOREIGN PATENT DOCUMENTS

CN 202581167 U * 12/2012 F21V 21/00
CN 102900977 A * 1/2013 F21S 2/00
CN 202813294 U * 3/2013 F21V 29/00
CN 302352753 * 3/2013
CN 202852518 U * 4/2013 F21S 2/00
CN 202852735 U * 4/2013 F21V 21/002

DESCRIPTION

FIG. 1 is a perspective view of a LED light showing my new design;
FIG. 2 is a front elevational view thereof;
FIG. 3 is a rear elevational view thereof;
FIG. 4 is a left side elevational view thereof;
FIG. 5 is a right side elevational view thereof;
FIG. 6 is a top plan view thereof;
FIG. 7 is a bottom plan view thereof; and,
FIG. 8 is a perspective view thereof, shown with a tube and a light cover.
The broken lines in the drawings depict portions of the LED light that form no part of the claimed design.

1 Claim, 8 Drawing Sheets



(56)

References Cited

FOREIGN PATENT DOCUMENTS

CN	303259331	*	6/2015	
CN	204437750	U *	7/2015 F21S 2/00
CN	303360587	*	9/2015	
CN	104989979	A *	10/2015 F21S 2/00
CN	205664127	U *	10/2016 F21K 9/20
CN	206347492	U *	7/2017 F21S 9/02
CN	206361446	U *	7/2017 F21K 9/27
CN	208687398	U *	4/2019	
EP	3056808	A1 *	8/2016 F21S 4/28
GB	567276	A *	2/1945 F21V 7/00
WO	WO 2017184910	A1 *	10/2017 F21K 9/27

OTHER PUBLICATIONS

“LED T5 Integrated Light Fixtures,” (review), Dec. 18, 2016, [superbrightleds.com](https://www.superbrightleds.com), site visited Mar. 2, 2021, URL: <https://www.superbrightleds.com/moreinfo/rigid-light-bars/led-t5-integrated-light-fixtures-linkable-linear-led-task-lights-12v-4000k3000k/3654/> (Year: 2016).*

“JESLED Lighting,” Aug. 25, 2018, [facebook.com](https://www.facebook.com/JESLEDlighting/photos/1095696480583879), site visited Feb. 26, 2021, URL: <https://www.facebook.com/JESLEDlighting/photos/1095696480583879> (Year: 2018).*

“Kihung 8ft LED Shop Light Fixture,” Aug. 21, 2018, [amazon.com](https://www.amazon.com/Kihung-Integrated-Daylight-Replacement-Linkable/dp/B07GPPRNXXG), site visited Mar. 2, 2021, URL: <https://www.amazon.com/Kihung-Integrated-Daylight-Replacement-Linkable/dp/B07GPPRNXXG> (Year: 2018).*

“JESLED 4FT LED Shop Light,” verified purchase user review, Nov. 26, 2018, [amazon.com](https://www.amazon.com/JESLED-Light-Fixture-7200LM-1-Pack/dp/B07Q4TSHH5/), site visited Mar. 2, 2021, URL: <https://www.amazon.com/JESLED-Light-Fixture-7200LM-1-Pack/dp/B07Q4TSHH5/> (Year: 2018).*

* cited by examiner

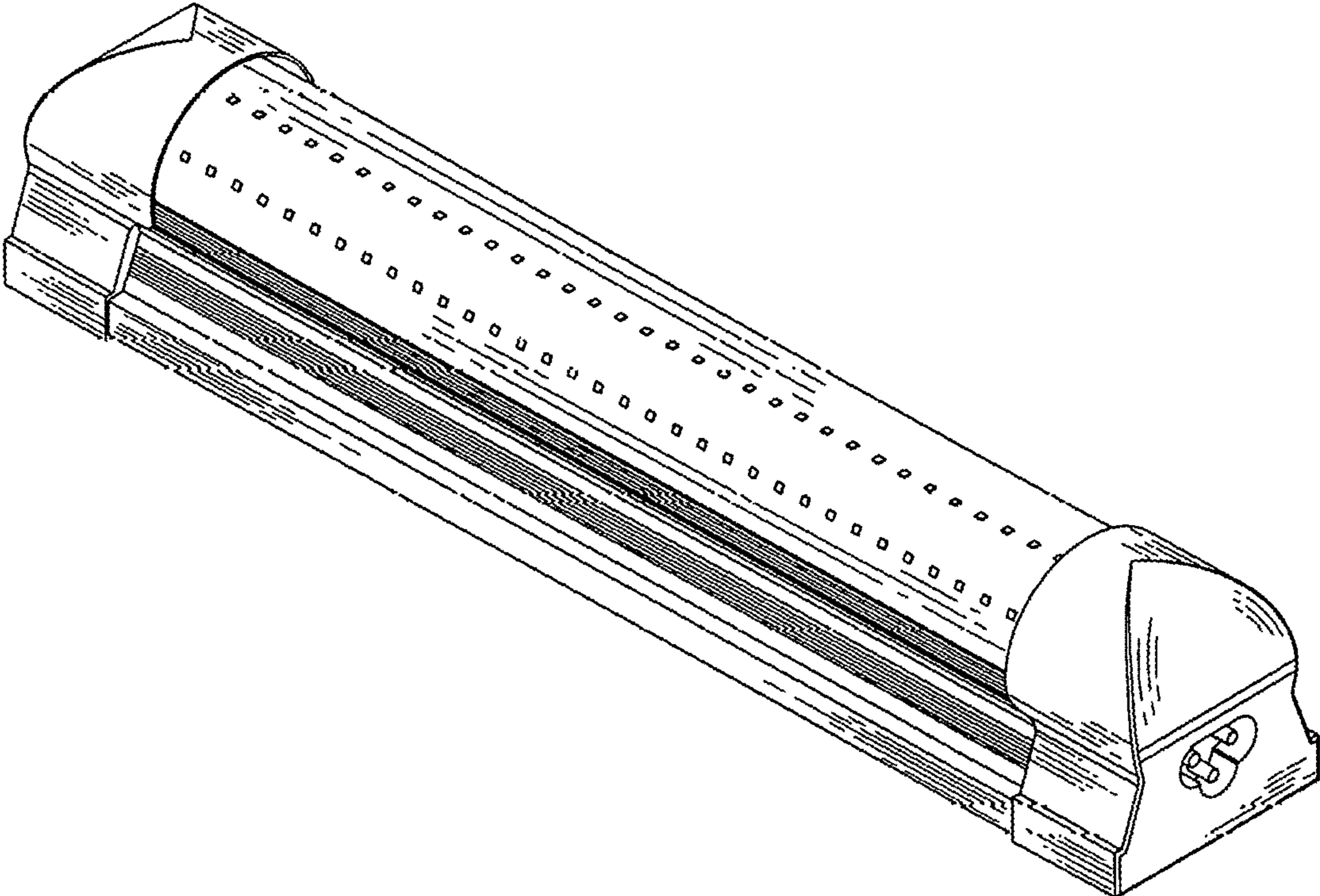


FIG. 1

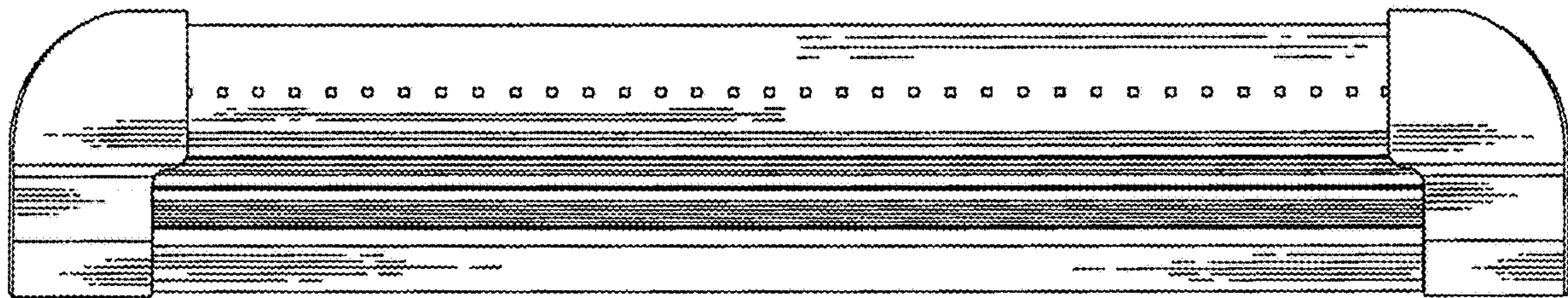


FIG. 2

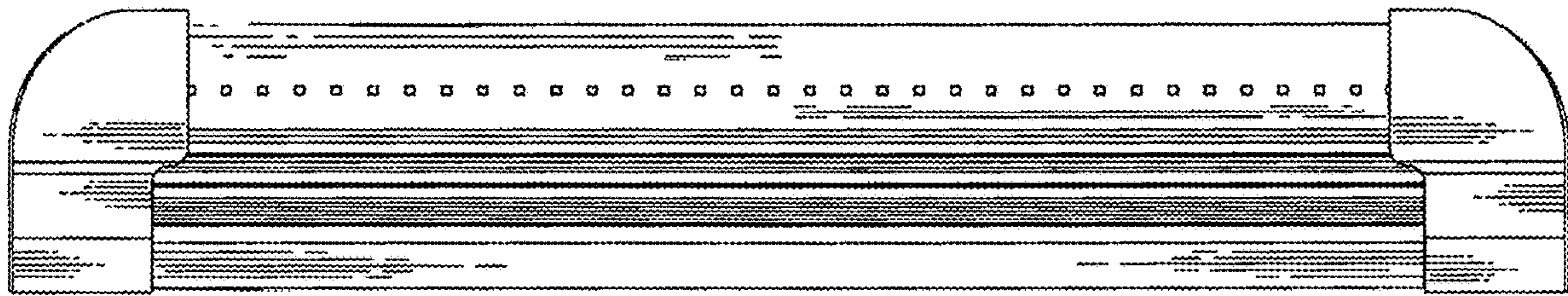


FIG. 3

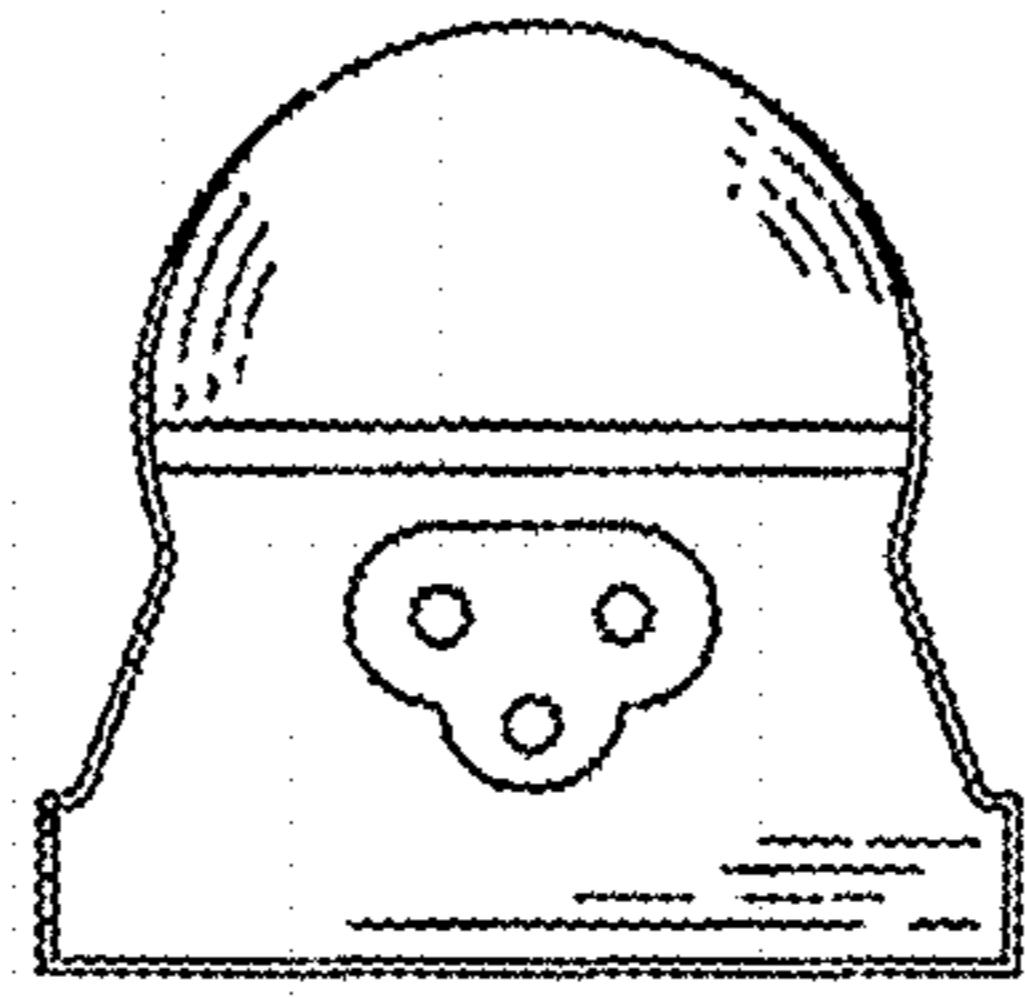


FIG. 4

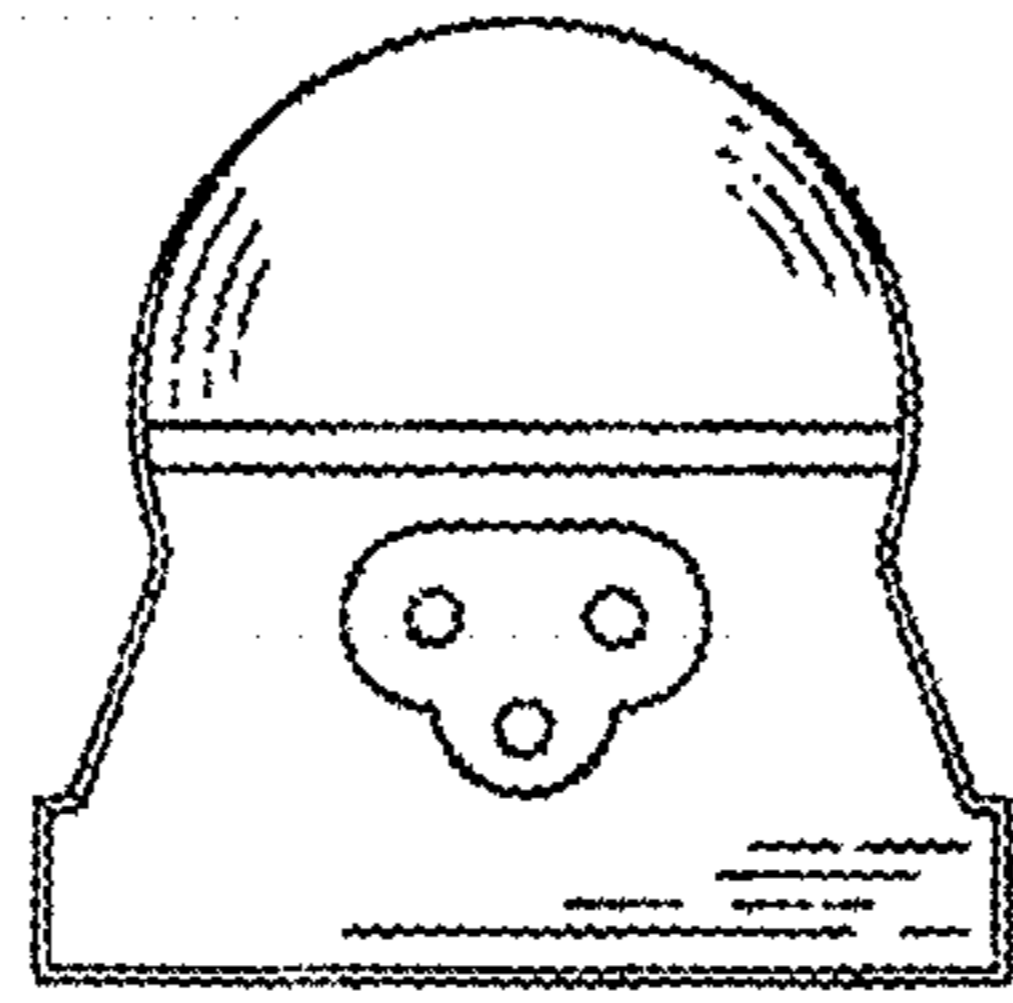


FIG. 5

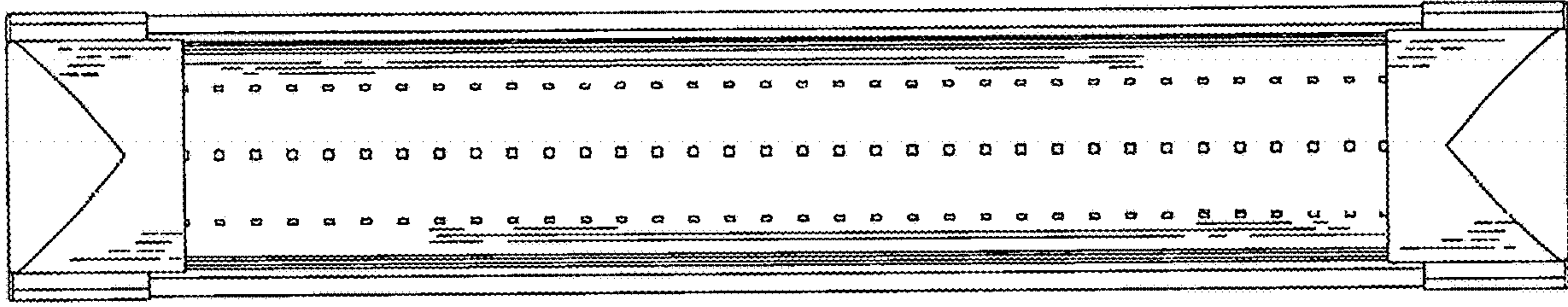


FIG. 6

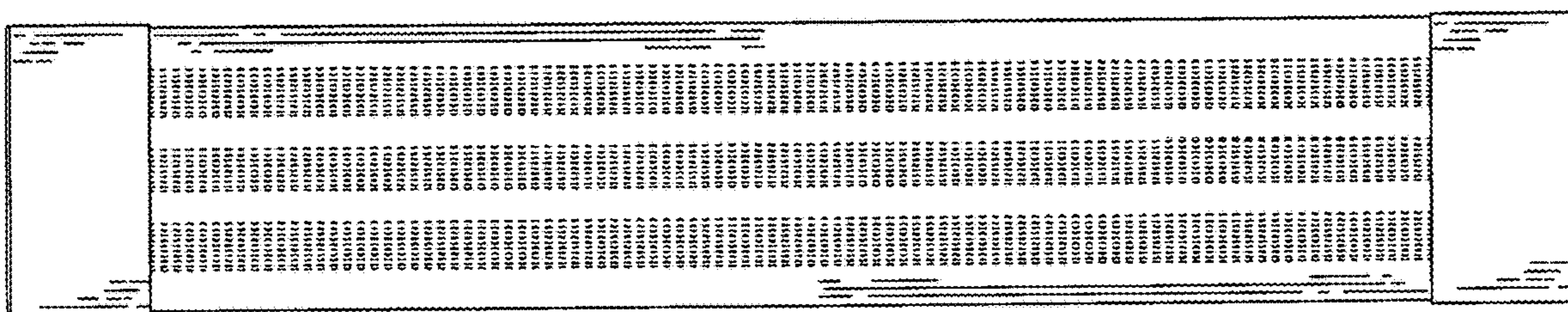


FIG. 7

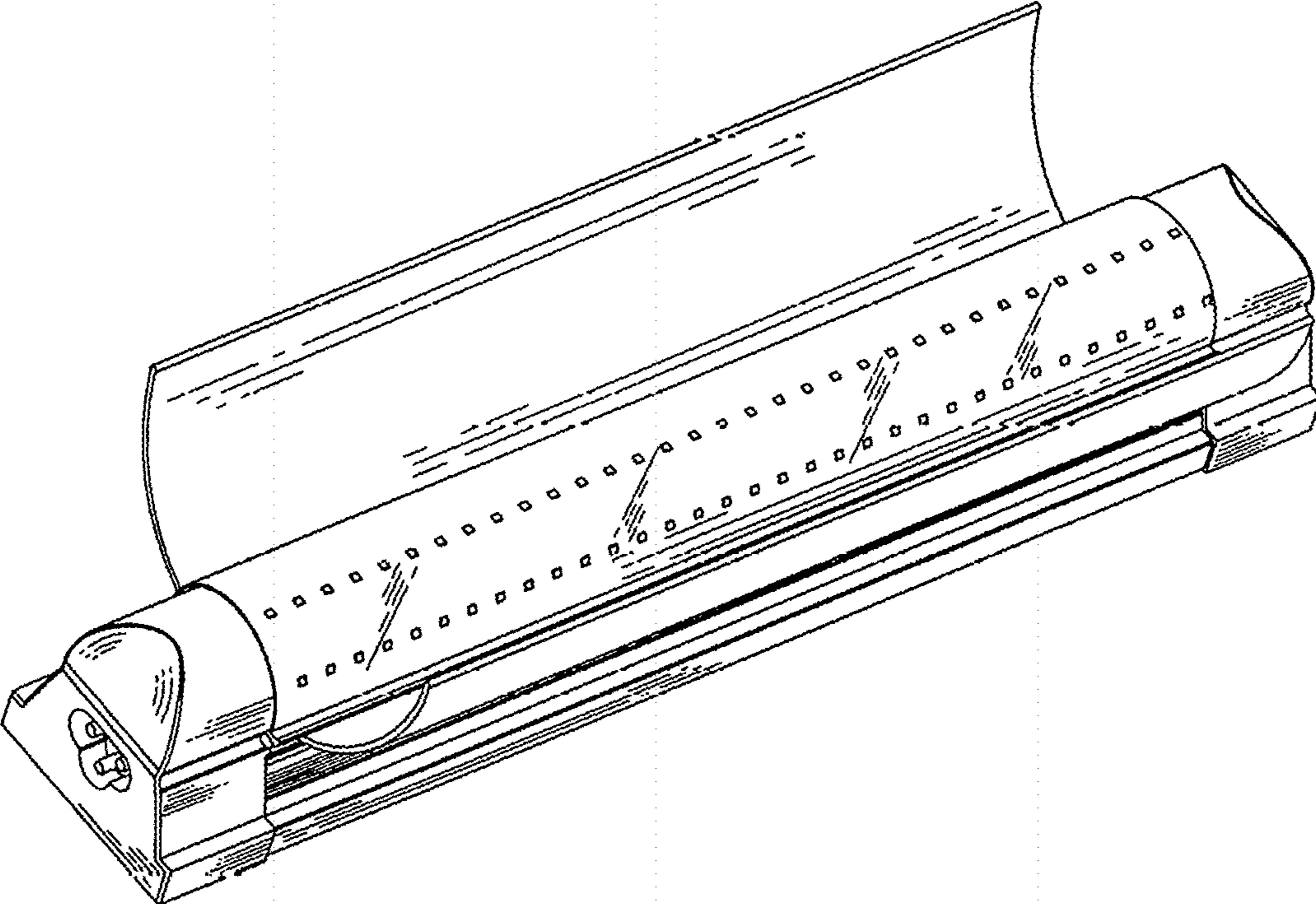


FIG. 8