



US00D957024S

(12) **United States Design Patent**  
**Chen**

(10) **Patent No.:** **US D957,024 S**  
(45) **Date of Patent:** **\*\* Jul. 5, 2022**

(54) **SOLAR LAMP**  
(71) Applicant: **ZHONGSHAN TAOZUO ELECTRIC TECHNOLOGY CO., LTD.,**  
Zhongshan (CN)  
(72) Inventor: **Yunneng Chen, Zhongshan (CN)**  
(73) Assignee: **ZHONGSHAN TAOZUO ELECTRIC TECHNOLOGY CO., LTD.,**  
Zhongshan (CN)

(\*\*) Term: **15 Years**

(21) Appl. No.: **29/760,482**

(22) Filed: **Dec. 1, 2020**

(51) **LOC (13) Cl.** ..... **26-05**

(52) **U.S. Cl.**  
USPC ..... **D26/63; D26/120**

(58) **Field of Classification Search**  
USPC ..... D26/24, 51, 61, 63, 65, 67, 72, 80, 81,  
D26/83, 92, 100, 120; D16/203  
CPC ..... F21S 8/00; F21S 8/04; F21S 8/003; F21S  
8/033; F21S 9/00; F21S 9/02; F21S  
9/022; F21S 9/03; F21S 9/032; F21S  
9/035; F21S 9/037; F21W 2131/10;  
F21W 2131/20; F21W 2131/101; F21W  
2131/107; F21W 2131/402; F21W  
2131/1005; F21V 21/00; F21V 21/02;  
F21V 21/10; F21V 21/14; F21V 21/26;  
F21V 21/30; F21V 14/02; F21V 17/02  
See application file for complete search history.

(56) **References Cited**

**U.S. PATENT DOCUMENTS**

D690,613 S \* 10/2013 Holland ..... D10/114.2  
D761,474 S \* 7/2016 Chen ..... D26/65

D788,967 S \* 6/2017 Chen ..... D26/65  
D864,458 S \* 10/2019 Liu  
D866,035 S \* 11/2019 Tan ..... D26/63  
D869,721 S \* 12/2019 Recker ..... D26/63  
D887,060 S \* 6/2020 Wang ..... D26/63  
D887,606 S \* 6/2020 Liu  
D889,721 S \* 7/2020 Tan ..... D26/63  
D892,380 S \* 8/2020 Yan ..... D26/65  
D894,461 S \* 8/2020 Recker ..... D26/63  
D894,462 S \* 8/2020 Recker ..... D26/63  
D896,424 S \* 9/2020 Wang ..... D26/63  
RE48,386 E \* 1/2021 Paredes ..... F21V 21/29  
D26/120  
D908,262 S \* 1/2021 Dai ..... D26/63  
D914,261 S \* 3/2021 Ouyang ..... D26/65  
D922,645 S \* 6/2021 Gowing ..... D26/63  
D929,008 S \* 8/2021 Singh ..... D26/63  
2017/0184293 A1 \* 6/2017 Chen ..... F21V 23/0471  
2018/0195703 A1 \* 7/2018 Bailey ..... F21V 21/02

\* cited by examiner

*Primary Examiner* — Clint A Samuel

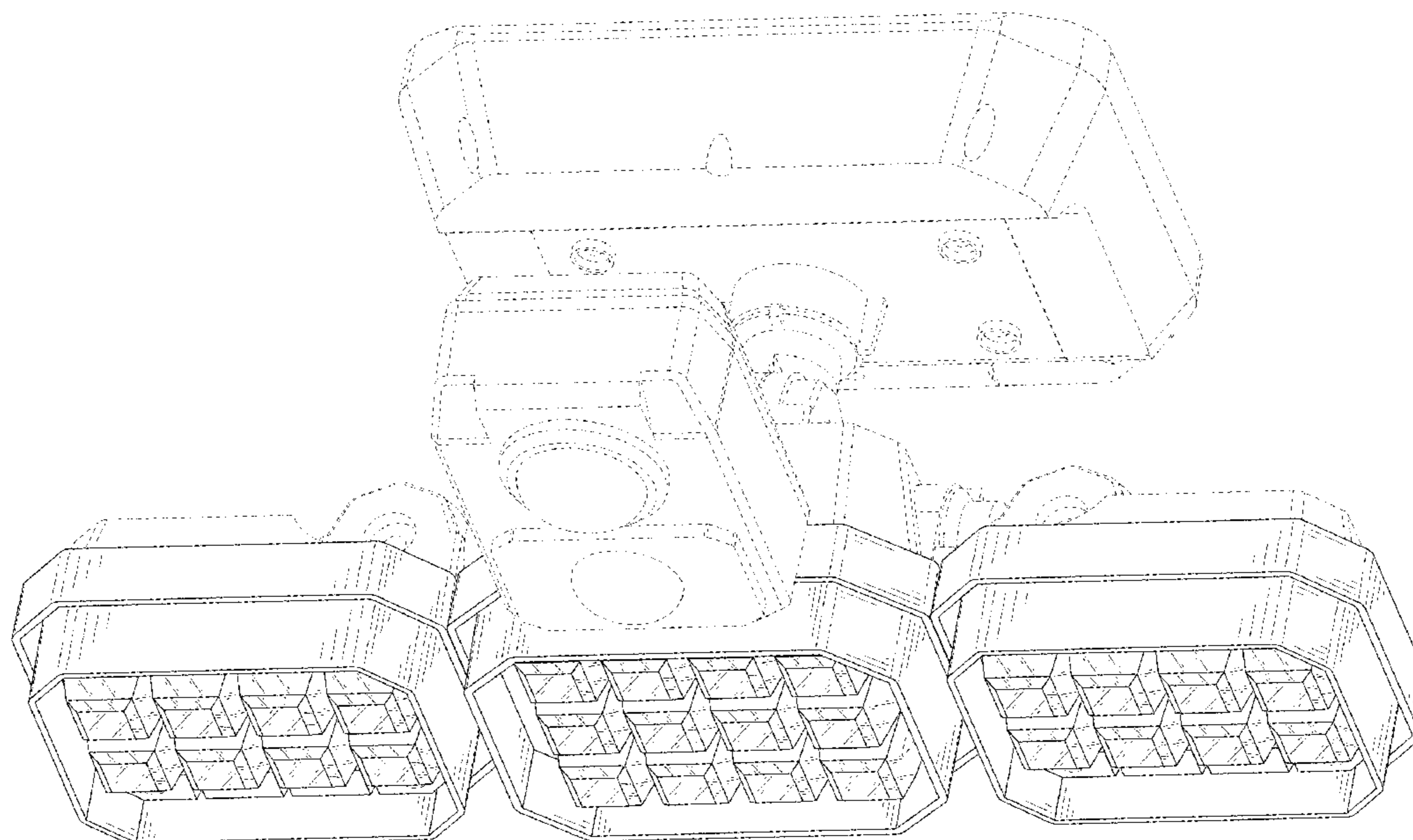
(57) **CLAIM**

The ornamental design for a solar lamp, as shown and described.

**DESCRIPTION**

FIG. 1 is a perspective view of a solar lamp showing my new design;  
FIG. 2 is another perspective view thereof;  
FIG. 3 is a front elevational view thereof;  
FIG. 4 is a rear elevational view thereof;  
FIG. 5 is a left side elevational view thereof;  
FIG. 6 is a right side elevational view thereof;  
FIG. 7 is a top plan view thereof; and,  
FIG. 8 is a bottom plan view thereof.  
The broken lines in the drawings depict portions of the solar lamp that form no part of the claimed design.

**1 Claim, 8 Drawing Sheets**



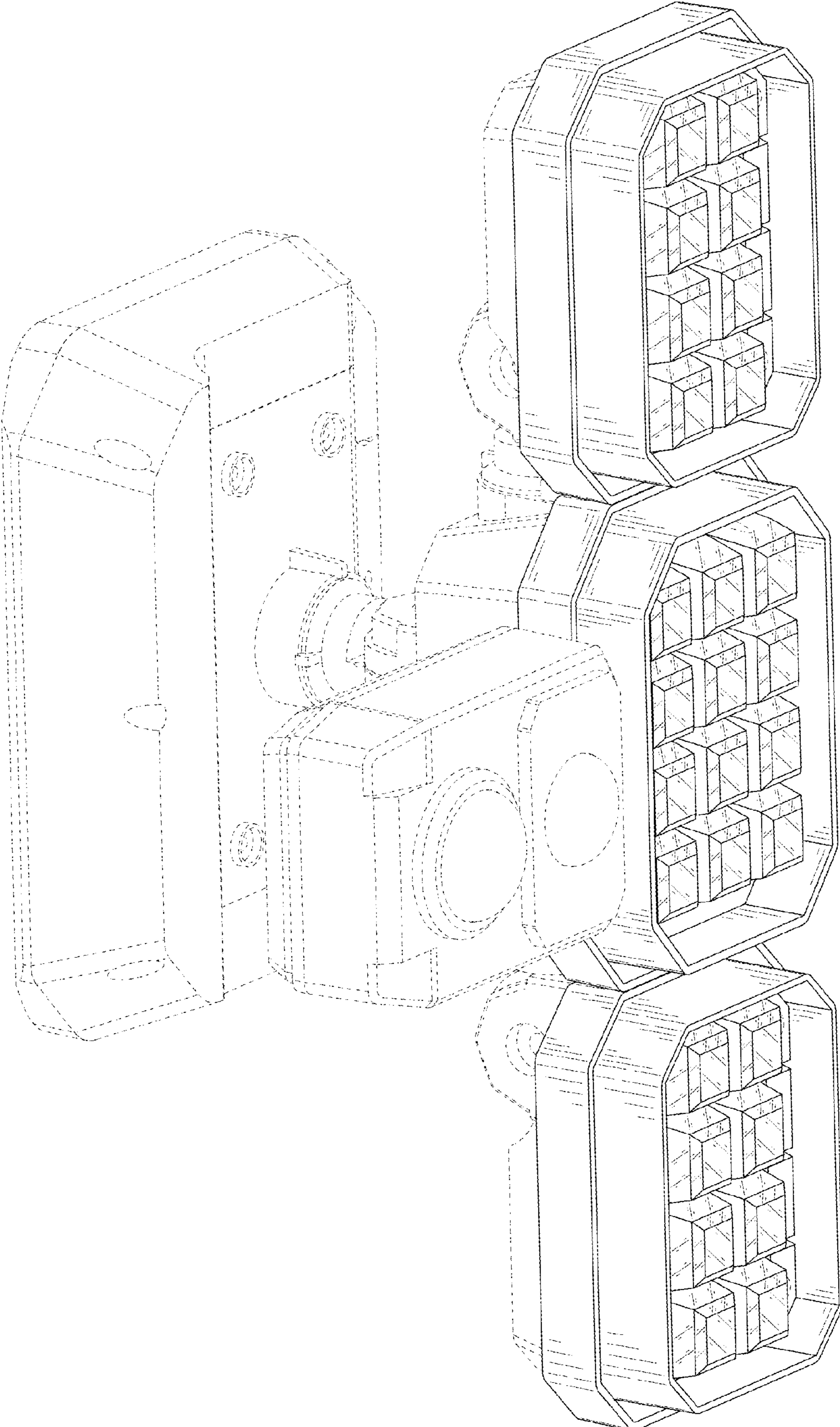


FIG. 1

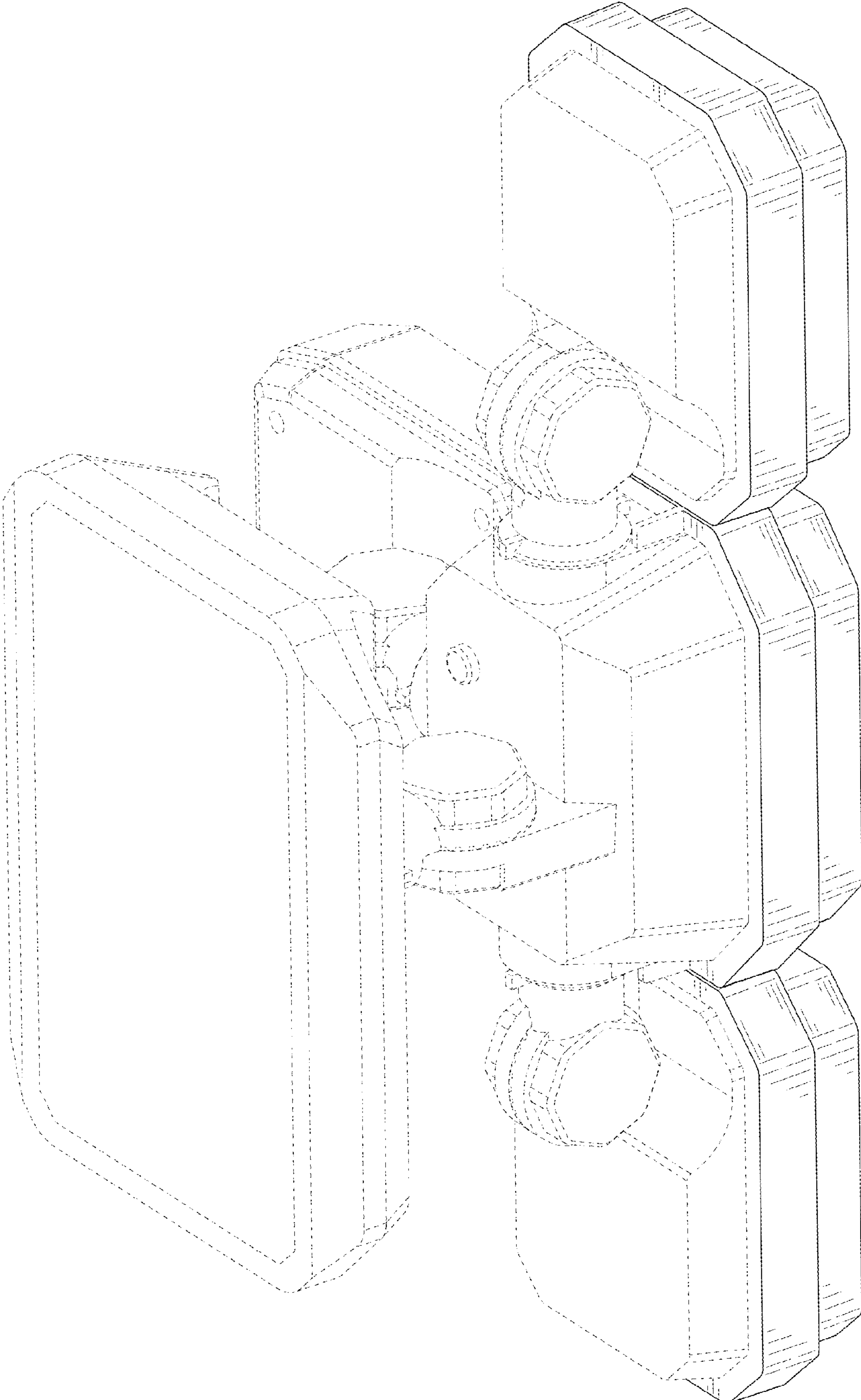


FIG. 2

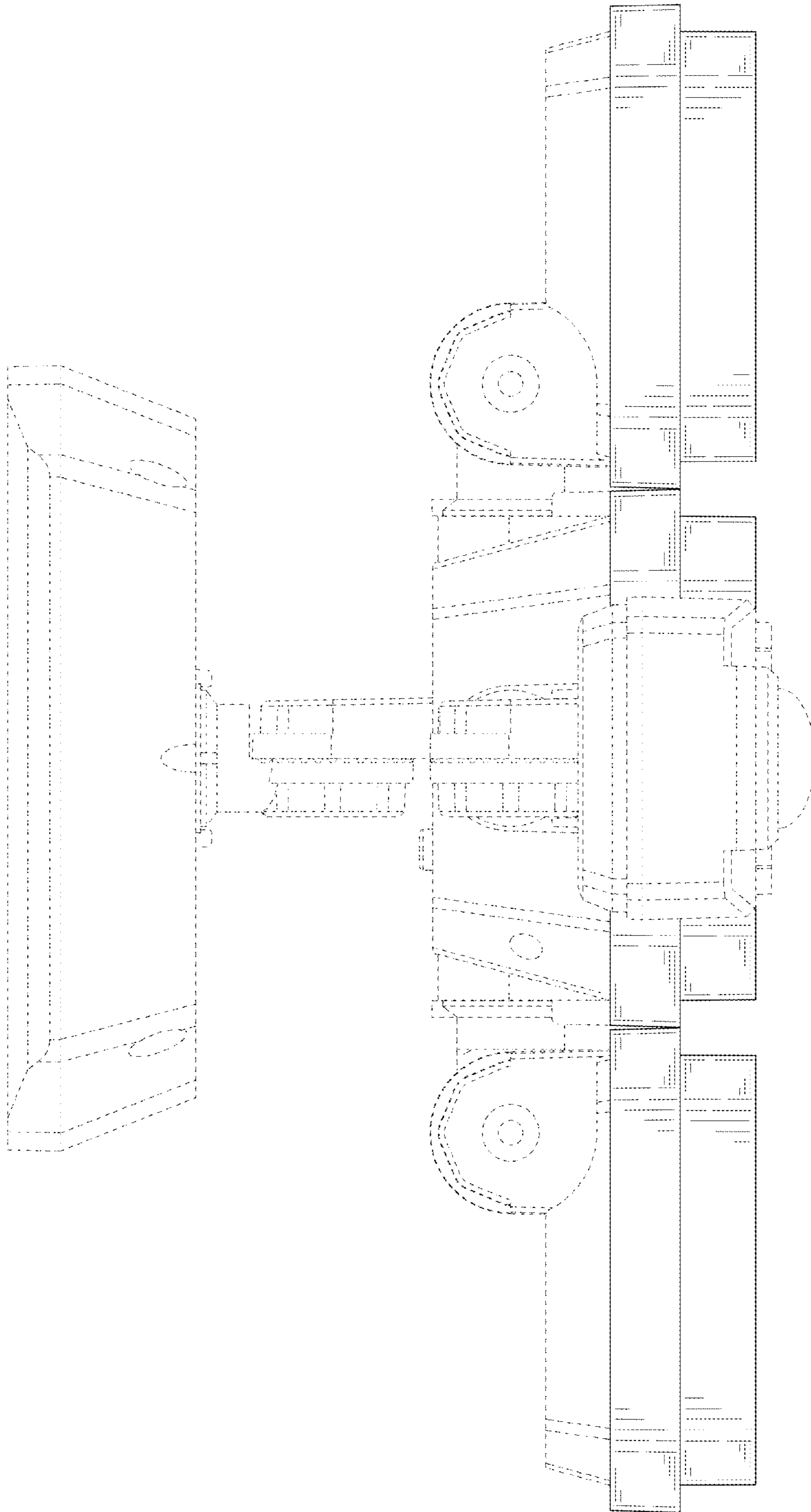


FIG. 3

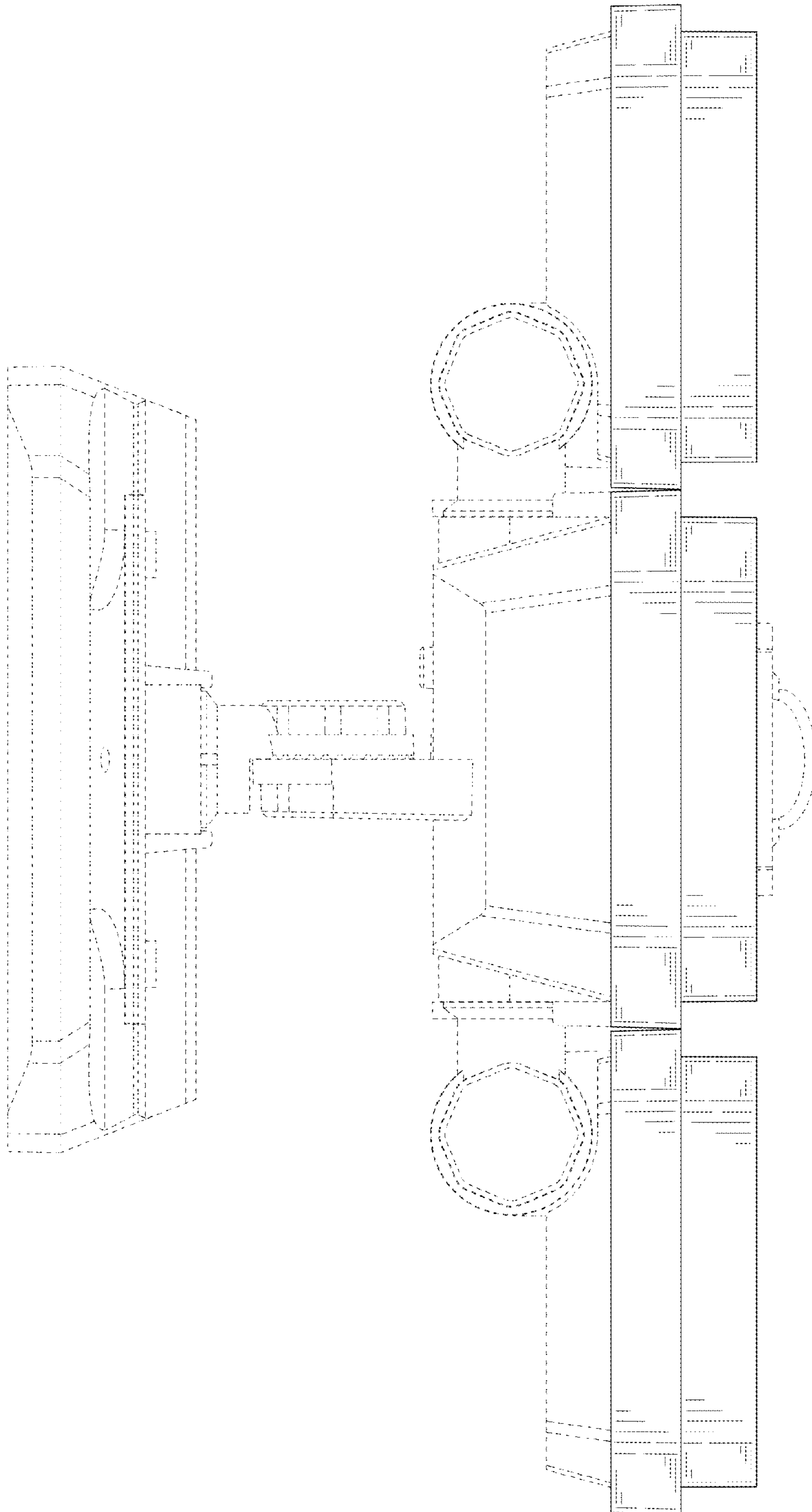


FIG. 4

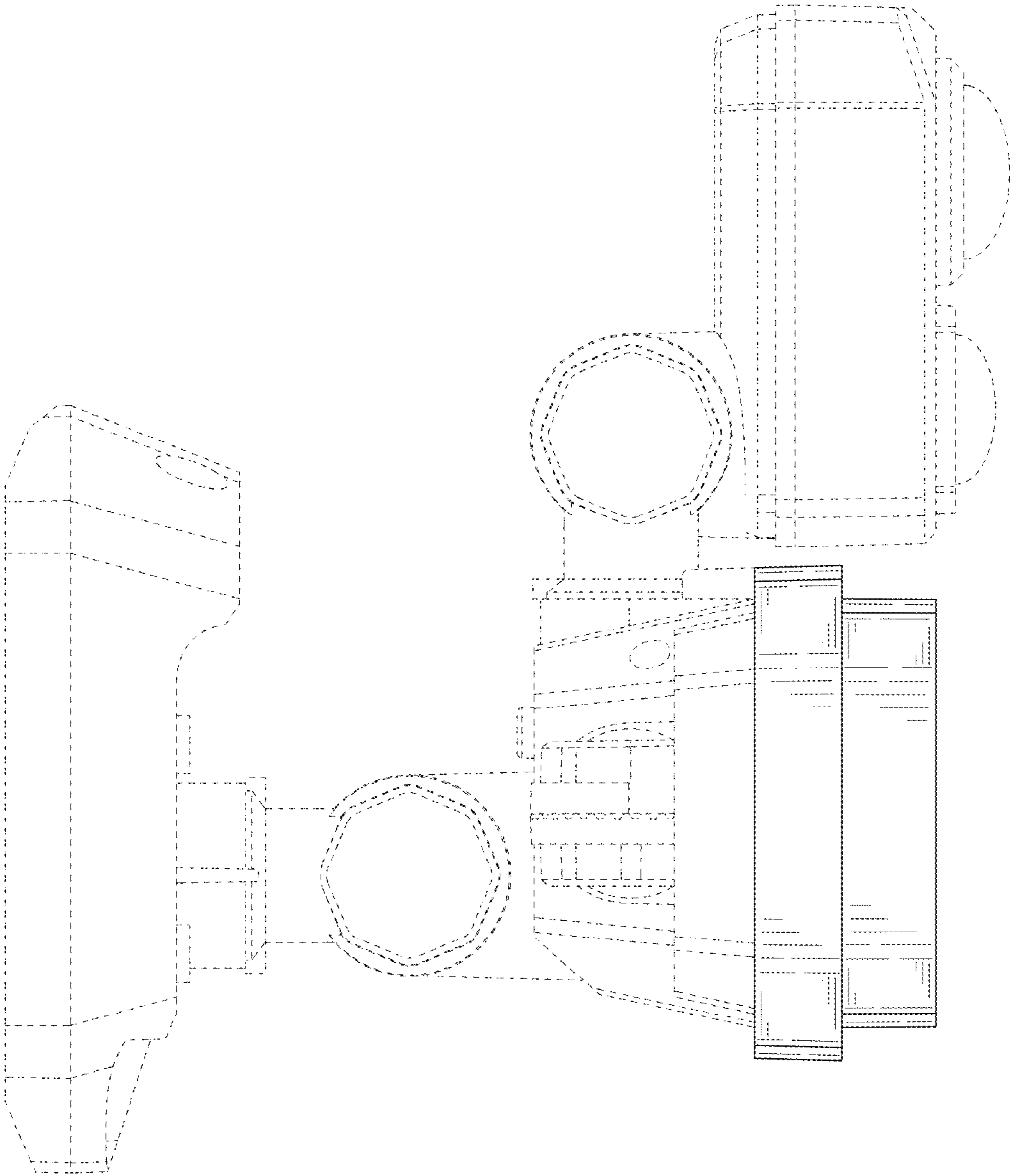


FIG. 5

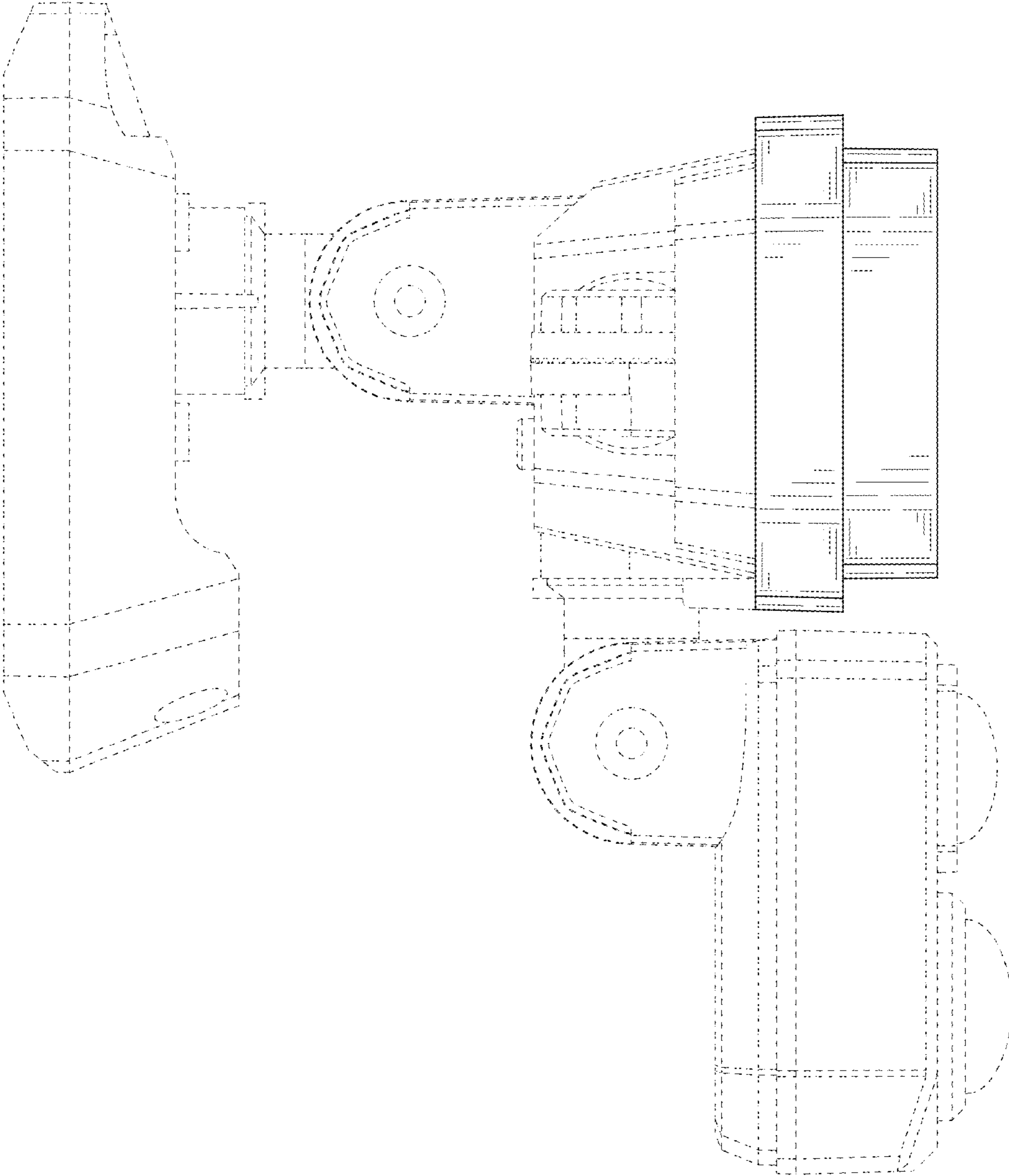


FIG. 6

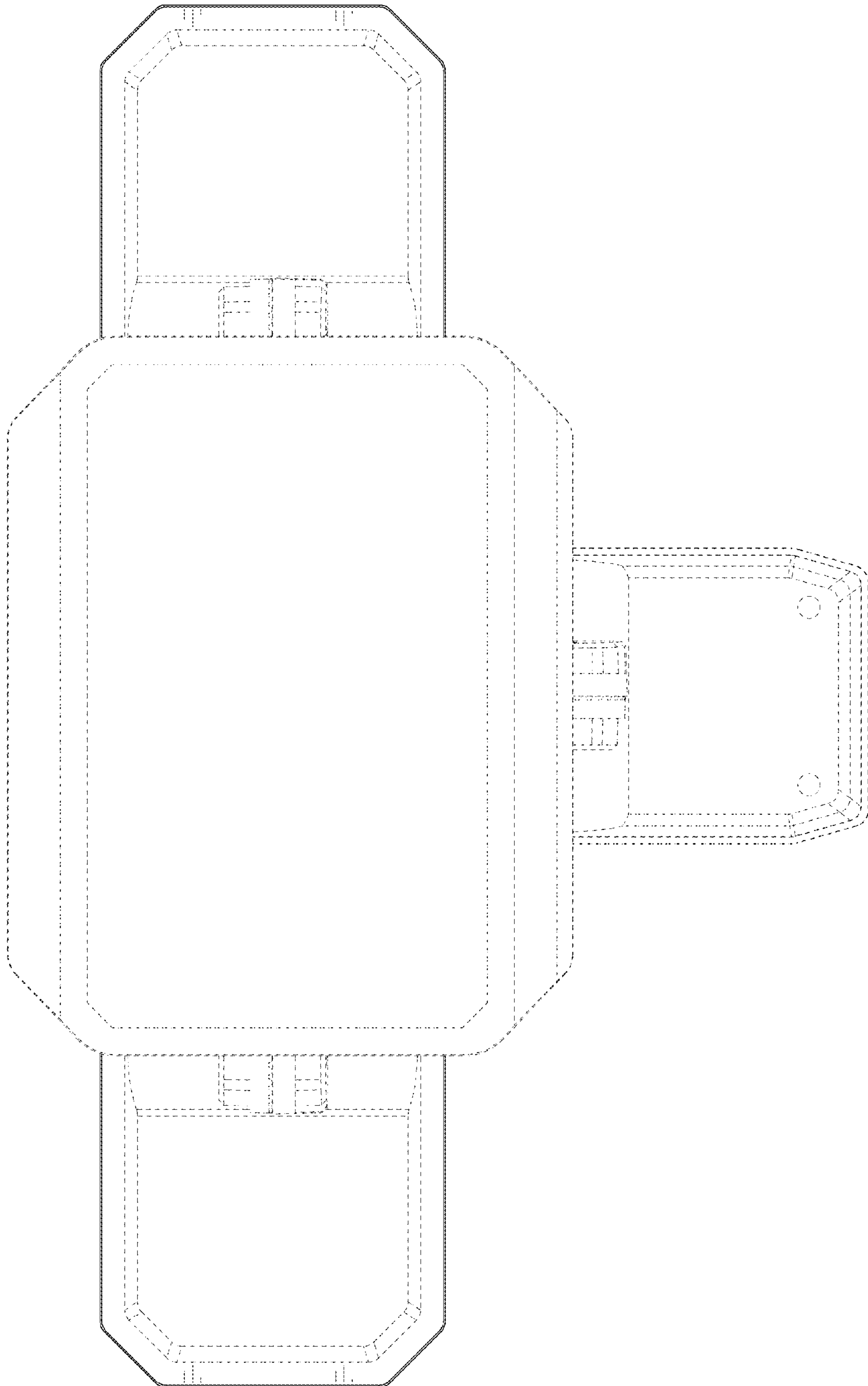


FIG. 7



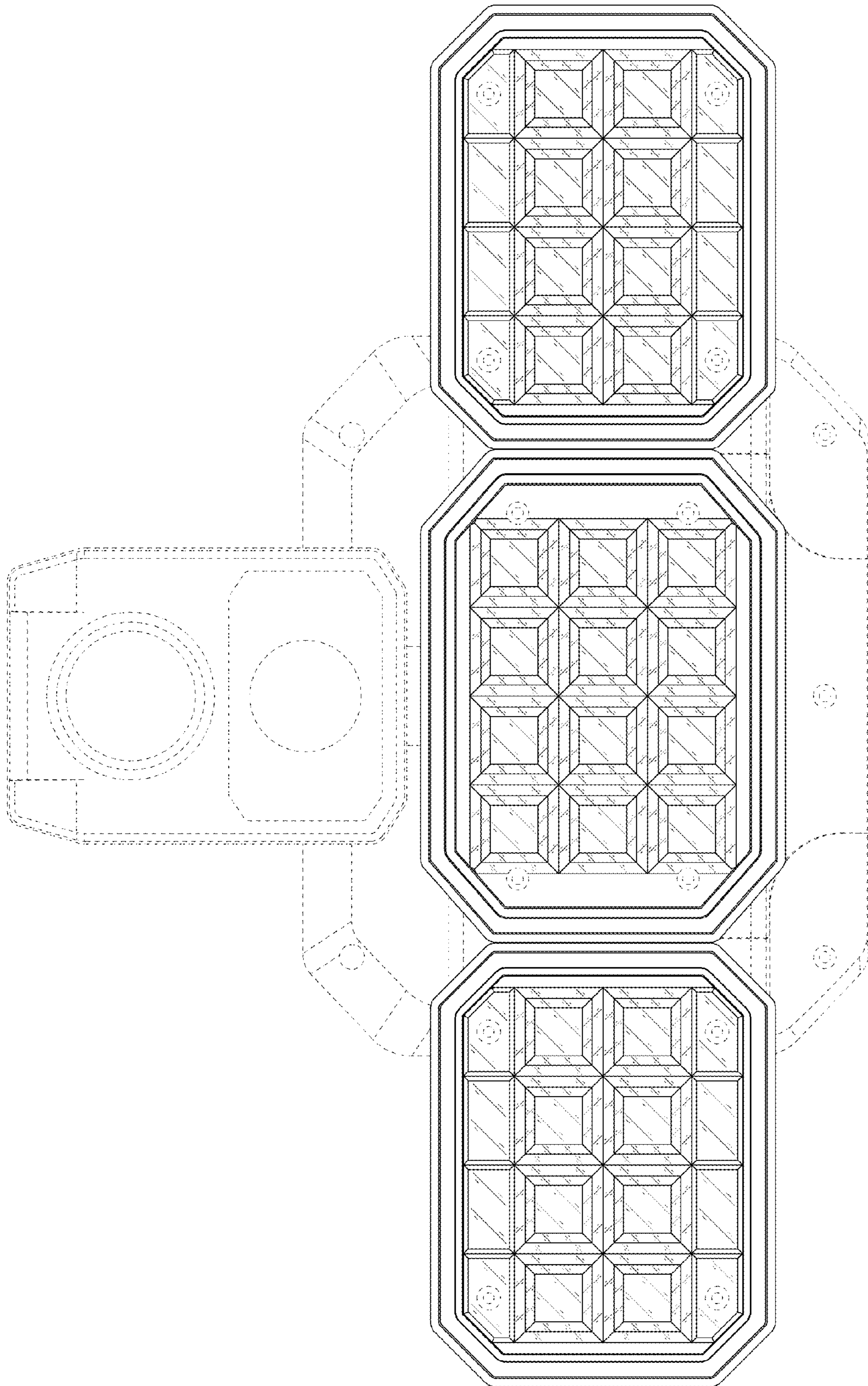


FIG. 8