



US00D957023S

(12) **United States Design Patent** (10) **Patent No.:** **US D957,023 S**
Greenwaldt et al. (45) **Date of Patent:** **** Jul. 5, 2022**

(54) **LIGHT FIXTURE**

- (71) Applicant: **Phoenix Products LLC**, Milwaukee, WI (US)
- (72) Inventors: **Erwin W. Greenwaldt**, Cedarburg, WI (US); **David R. Mandl**, Wauwatosa, WI (US)
- (73) Assignee: **Phoenix Products LLC**, Milwaukee, WI (US)
- (**) Term: **15 Years**
- (21) Appl. No.: **29/721,142**
- (22) Filed: **Jan. 17, 2020**
- (51) **LOC (13) Cl.** **26-05**
- (52) **U.S. Cl.**
USPC **D26/63**
- (58) **Field of Classification Search**
USPC D26/1, 24, 63
CPC F21L 4/00; F21L 14/00; F21S 8/03; F21S 8/033
See application file for complete search history.

(56) **References Cited**

U.S. PATENT DOCUMENTS

D560,300 S *	1/2008	Compton	D26/61
D562,486 S *	2/2008	Luke	D26/61
D572,856 S *	7/2008	Kehl	D26/61
D644,357 S *	8/2011	Hsu	D26/2
D645,182 S *	9/2011	Li	D26/60
D694,928 S *	12/2013	Chen	D26/63
D734,525 S *	7/2015	Gordin	D26/74
D802,197 S *	11/2017	Ding	D26/72
D832,491 S *	10/2018	Murphy	D26/118
D894,460 S *	8/2020	Yu	D26/63
D910,218 S *	2/2021	Somasekar	D26/63
D911,567 S *	2/2021	Lv	D26/63
D932,675 S *	10/2021	Sibitzky	D26/63

FOREIGN PATENT DOCUMENTS

CN 201630478177 * 2/2017

OTHER PUBLICATIONS

- Amazon, "Abiding 200W LED High Bay Light", first available Dec. 7, 2016. (<https://www.amazon.com/dp/B01N9FQWXC/>) (Year: 2016).*
- Amazon, "Led Ufo High Bay Lights 250W", first available Aug. 1, 2018. (<https://www.amazon.com/dp/B07G462QM9/?th=1>) (Year: 2018).*
- Phoenix Lighting, "DLA 2 Docklight", first available Sep. 28, 2020. (https://www.phoenixlighting.com/sites/default/files/products/specification-sheets/n5400700c_dla_2_spec_sheet.pdf) (Year: 2020).*
- Global Industrial, "Global Industrial LED Dock Light Head", first available Sep. 11, 2020. (<https://www.globalindustrial.com/p/global-industrial-led-dock-light-head-only-30w-3000-lumens-on-off-switch-9-cord-w-plug>) (Year: 2020).*

* cited by examiner

Primary Examiner — Lauren D McVey
Assistant Examiner — Justin A Johnson

(74) *Attorney, Agent, or Firm* — James A. Joyce; Godfrey & Kahn, S.C.

(57) **CLAIM**

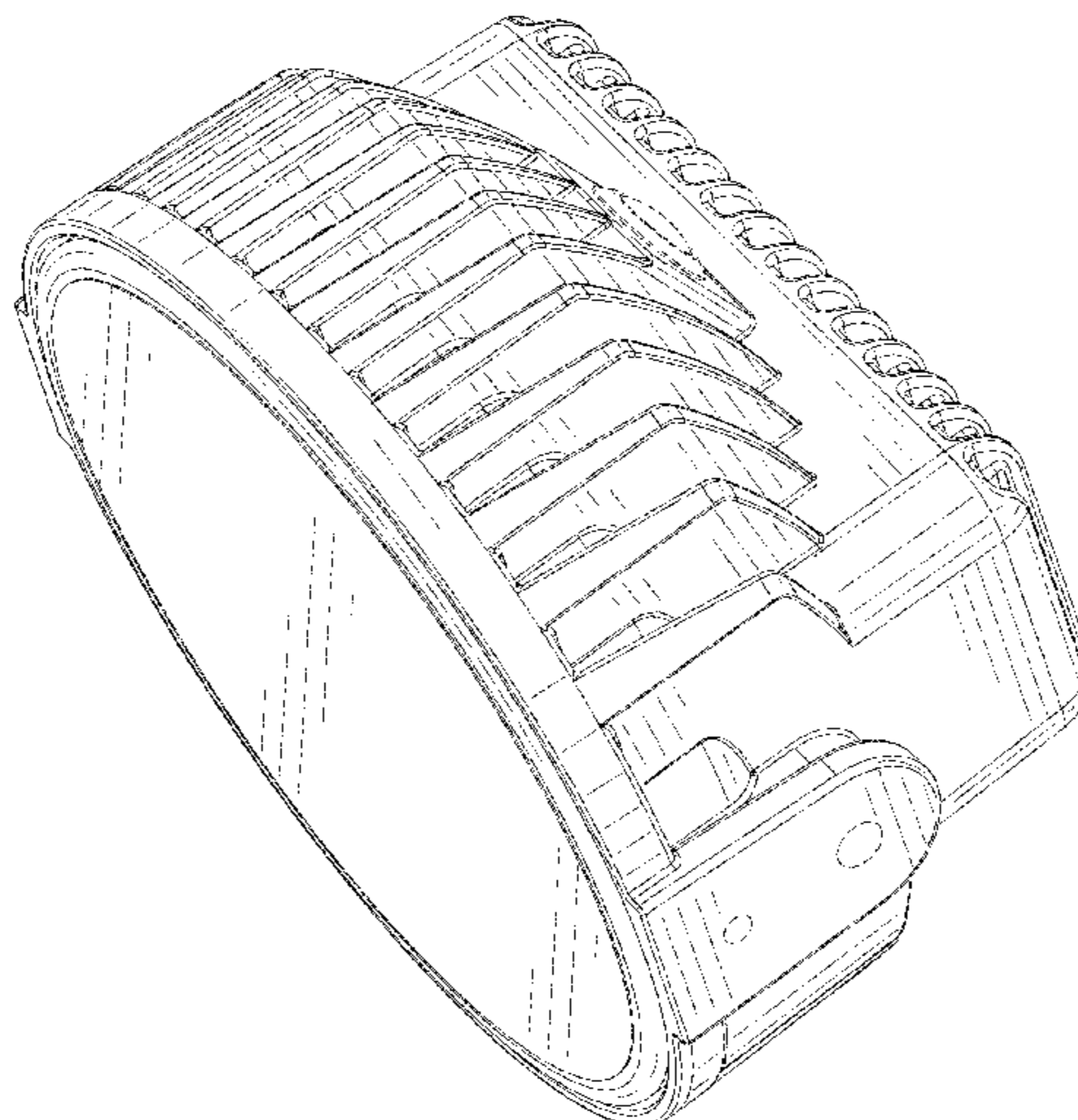
The ornamental design for a light fixture, as shown and described.

DESCRIPTION

FIG. 1 is a front top perspective view of a light fixture showing our new design;
 FIG. 2 is a rear bottom perspective view thereof;
 FIG. 3 is a front view thereof;
 FIG. 4 is a rear view thereof;
 FIG. 5 is a left side view thereof;
 FIG. 6 is a right side view thereof;
 FIG. 7 is a top view thereof; and,
 FIG. 8 is a bottom view thereof.

The broken lines in the figures show portions of the light fixture that form no part of the claimed design.

1 Claim, 8 Drawing Sheets



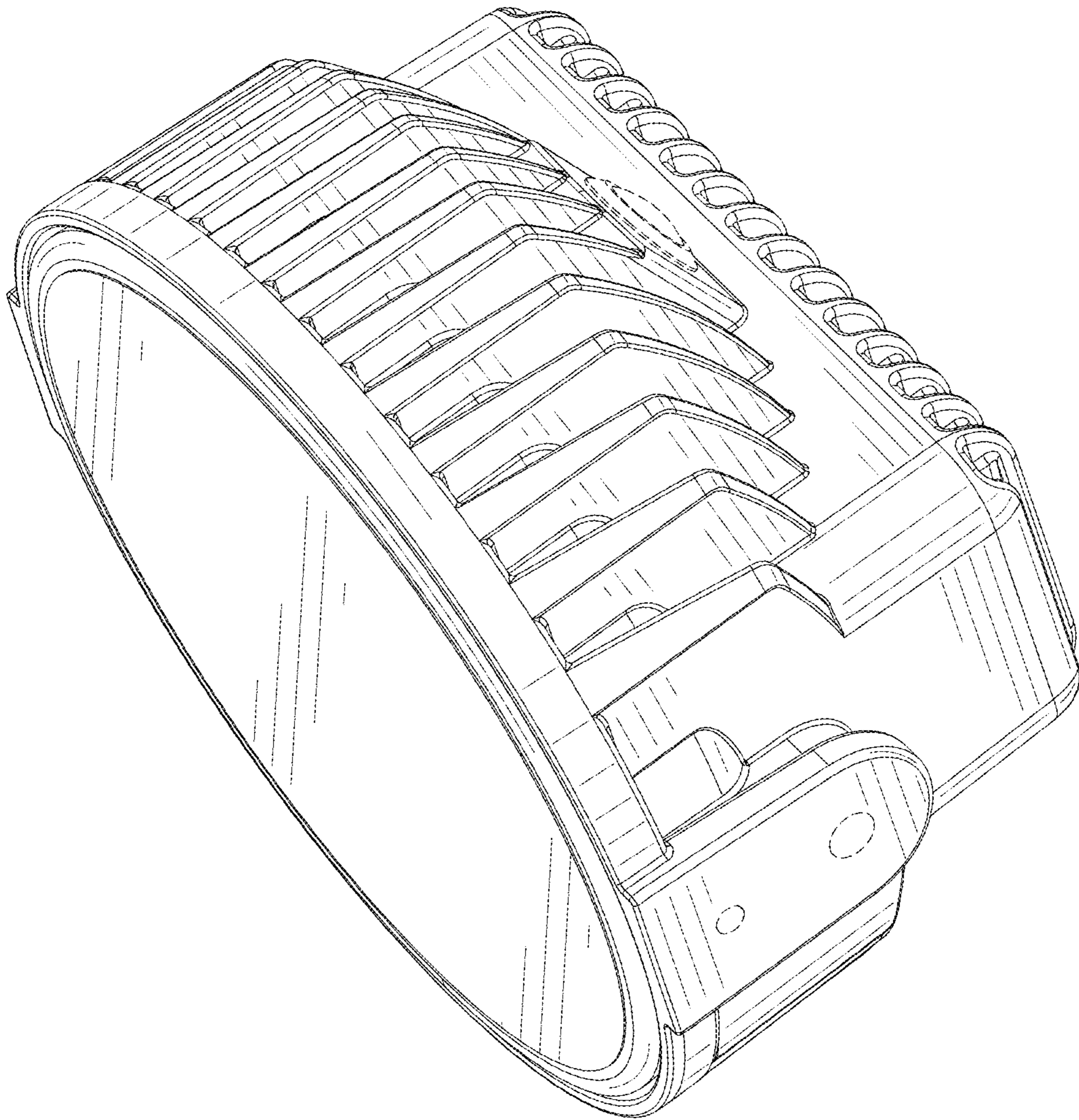


FIG. 1

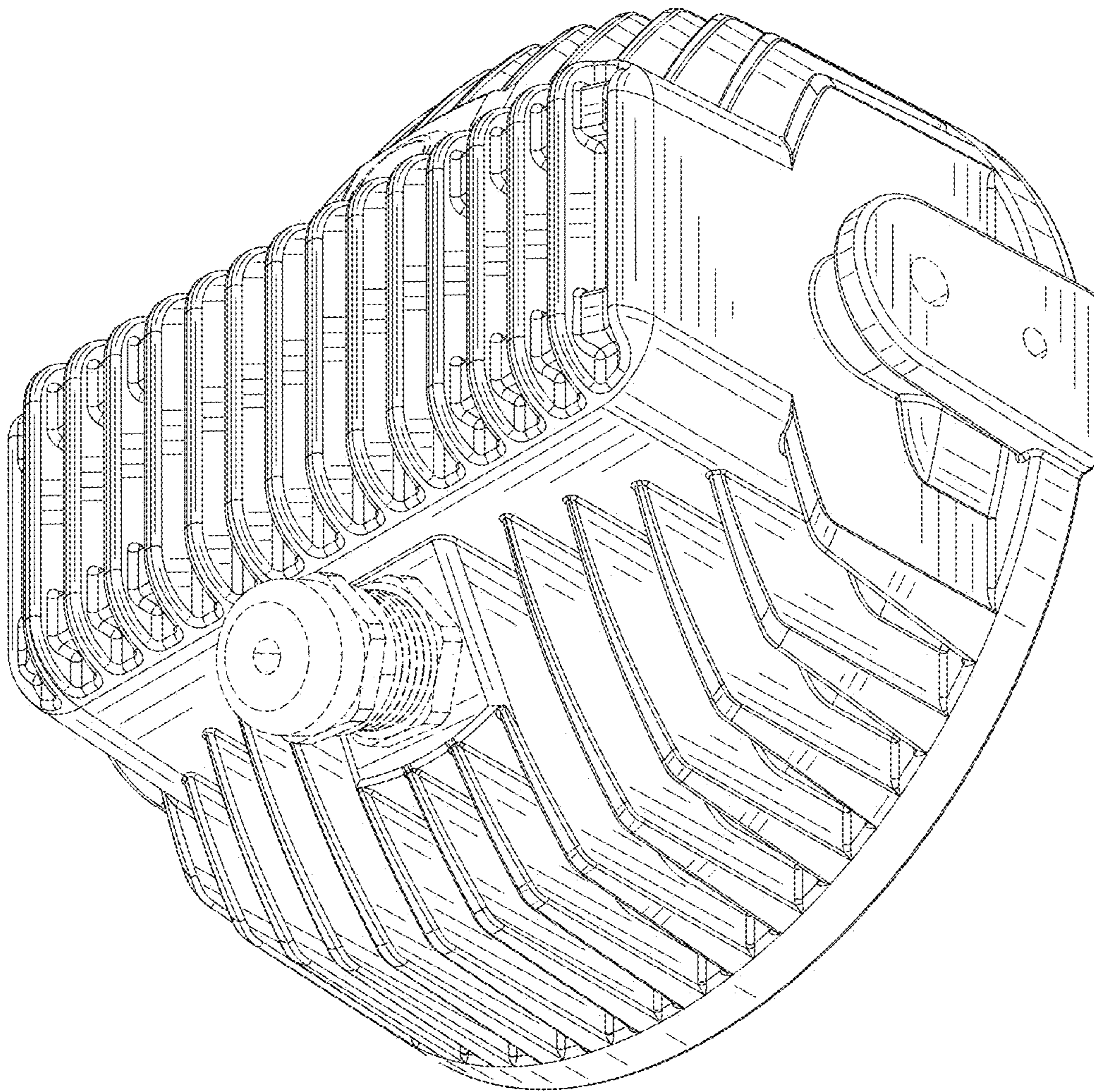


FIG. 2

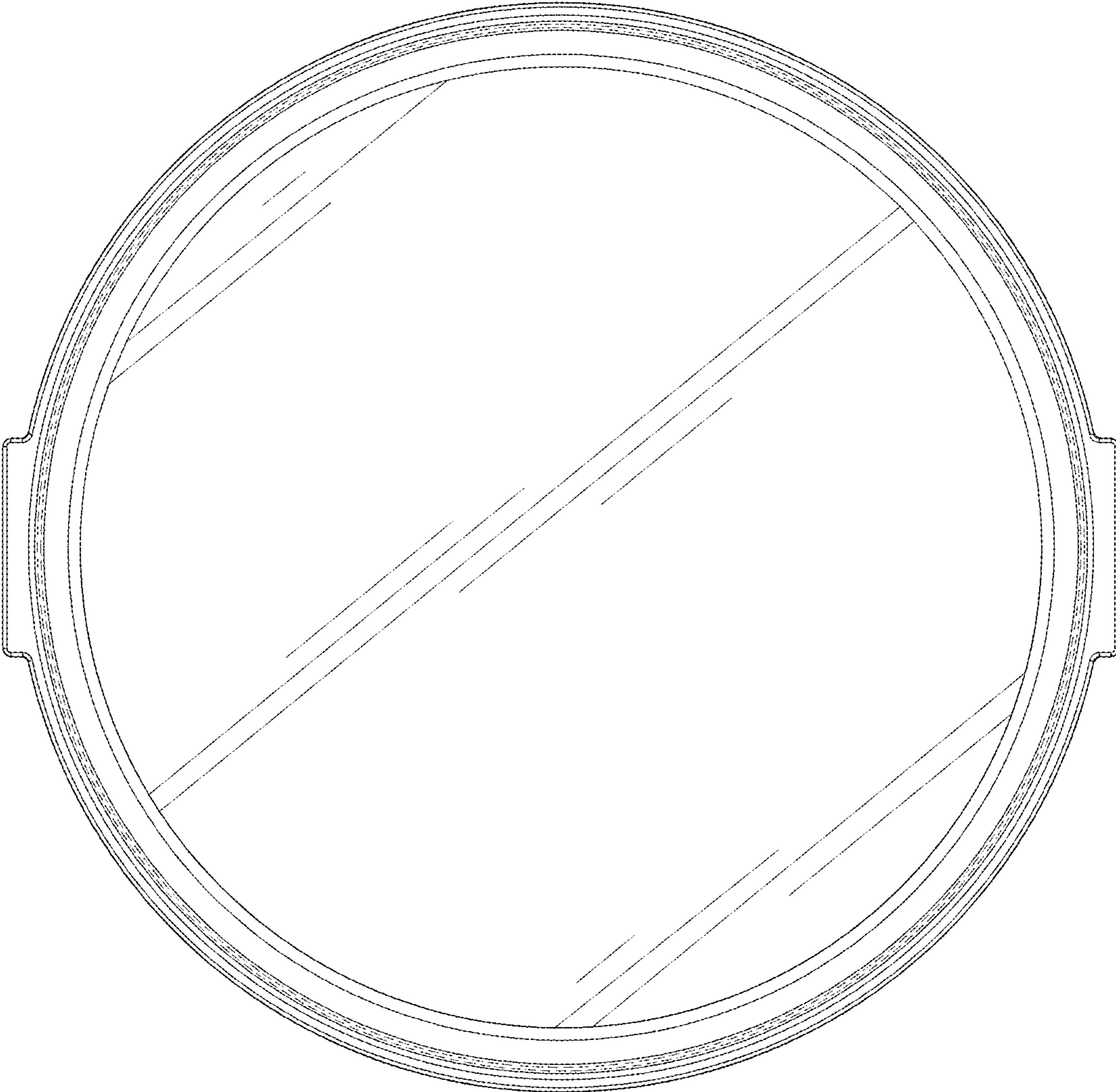


FIG. 3

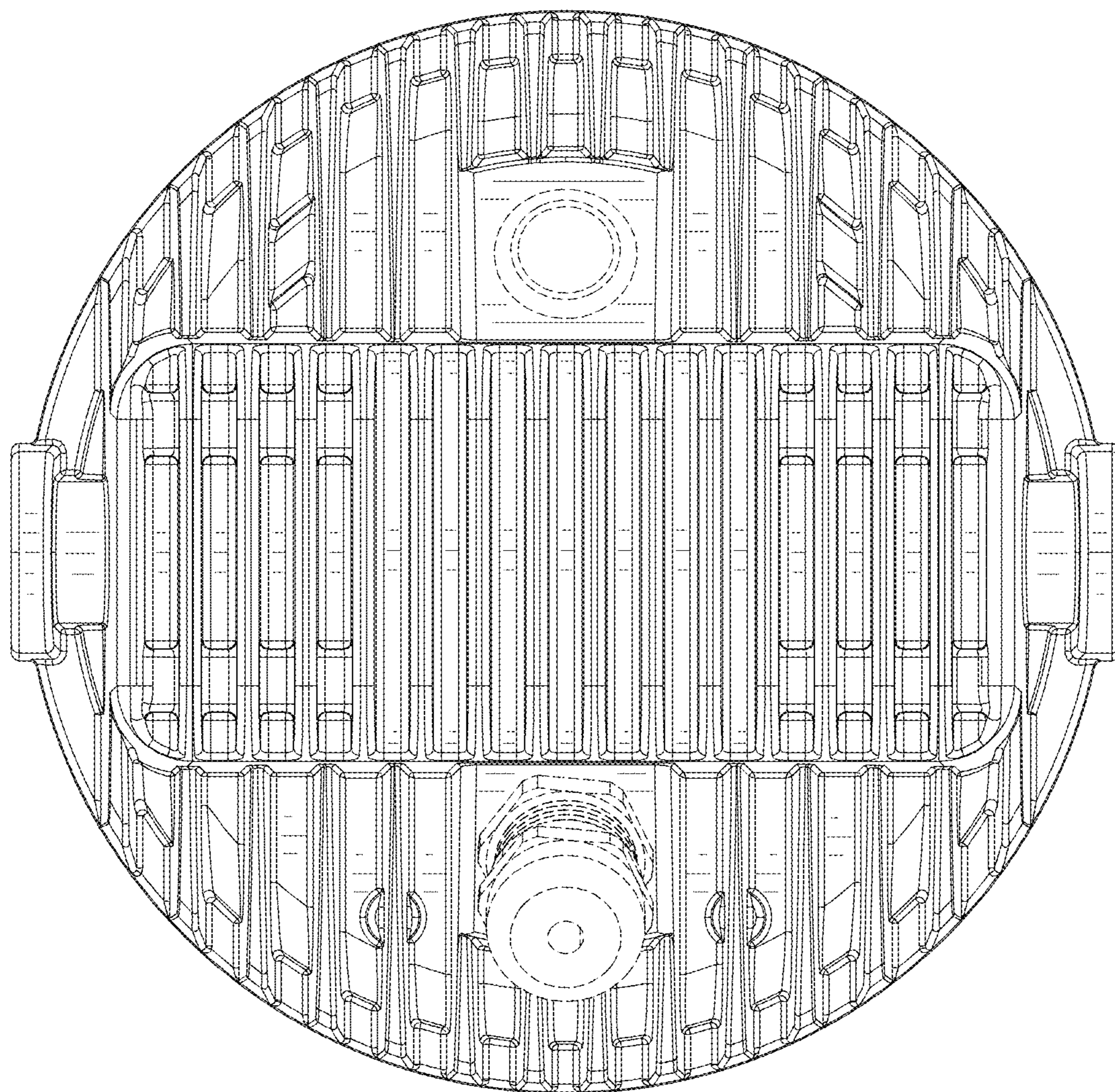


FIG. 4

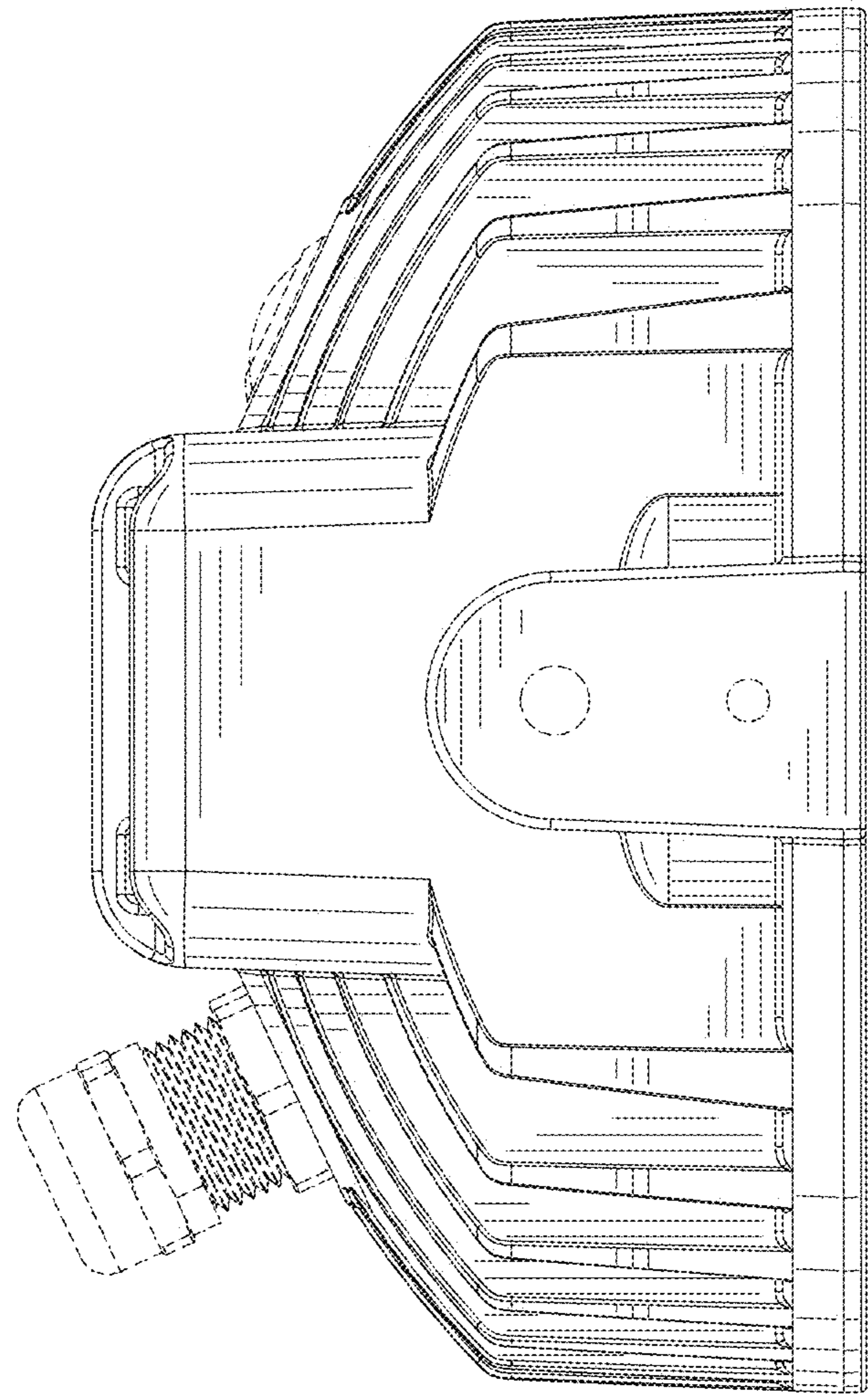


FIG. 5

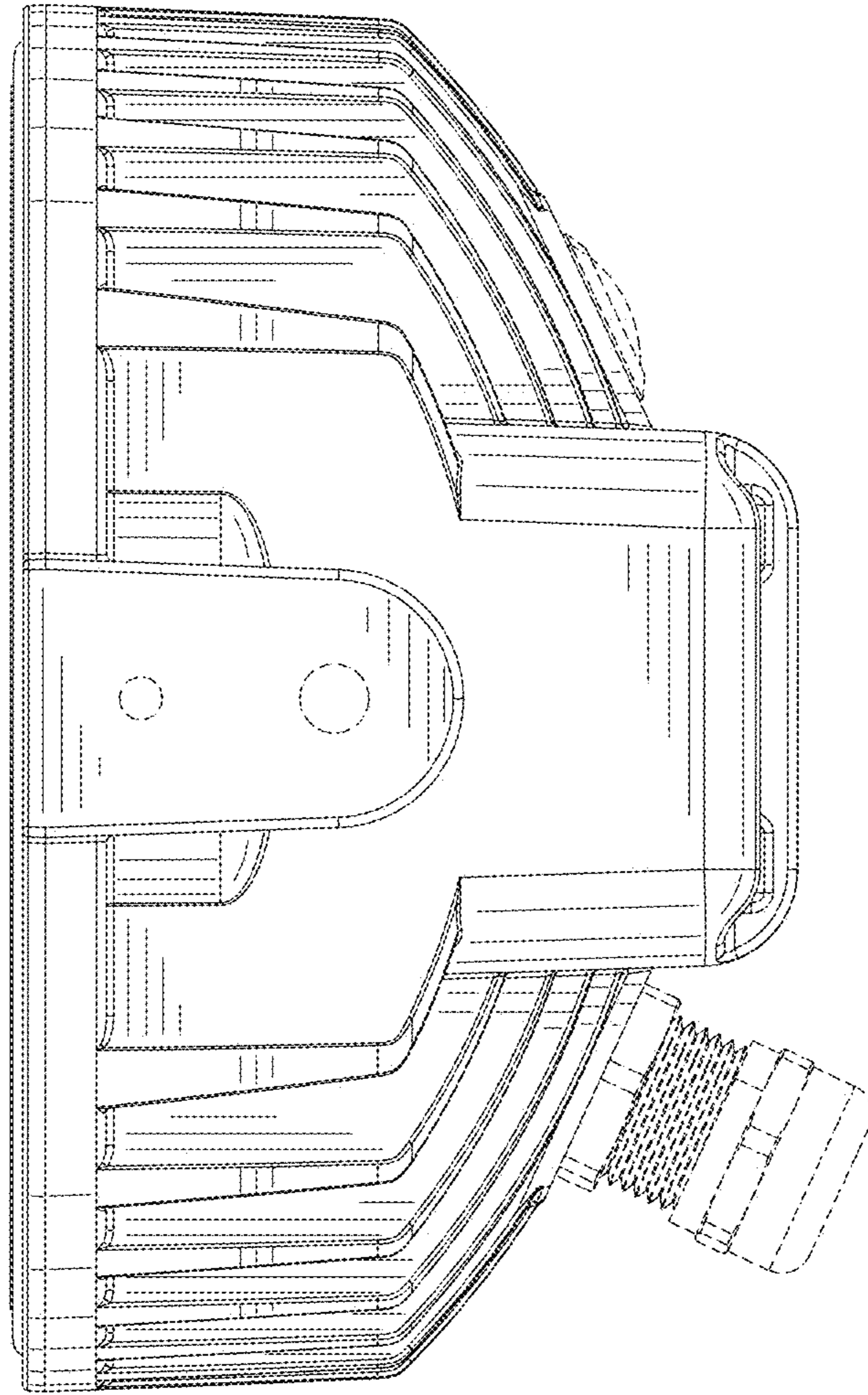


FIG. 6

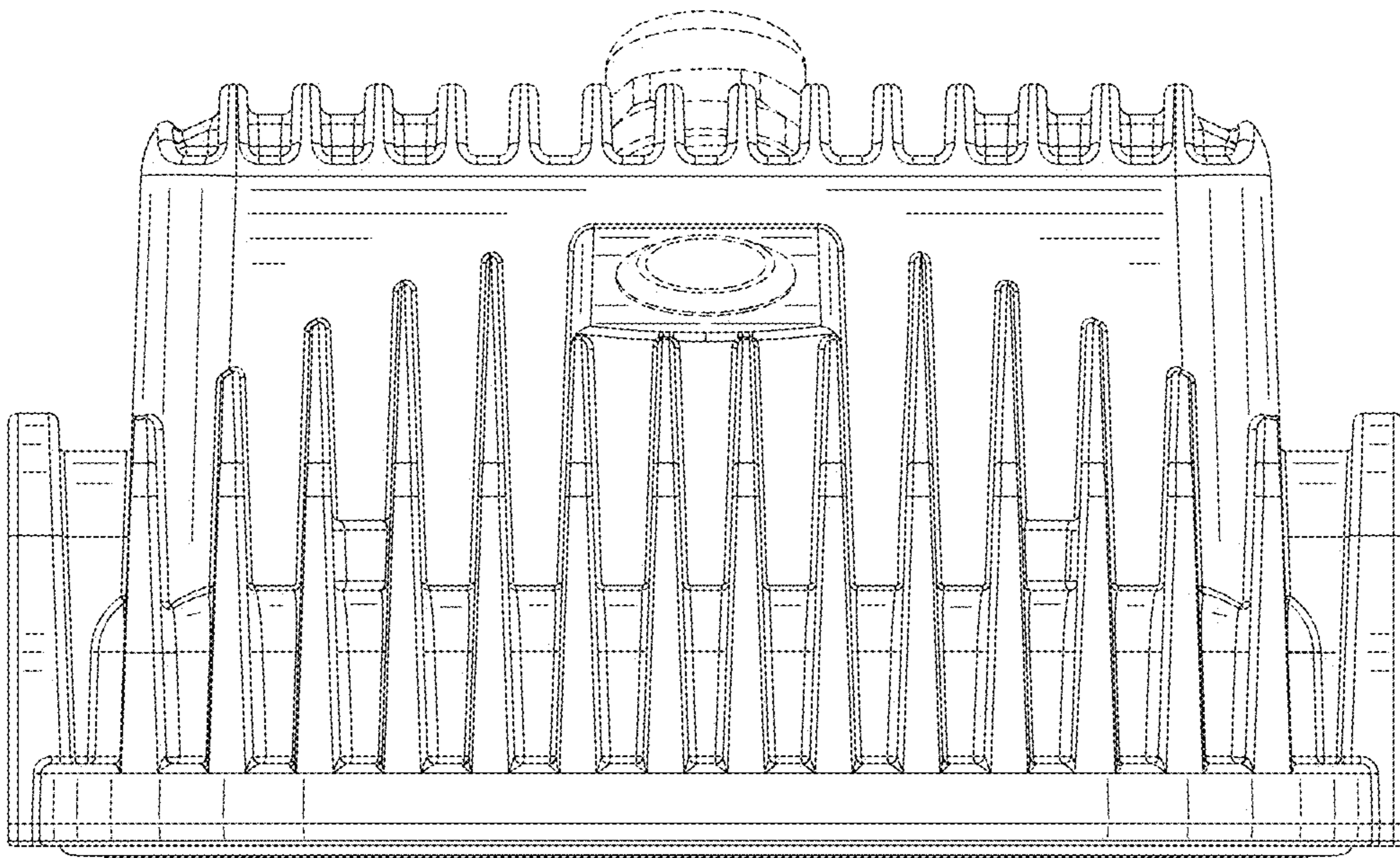


FIG. 7

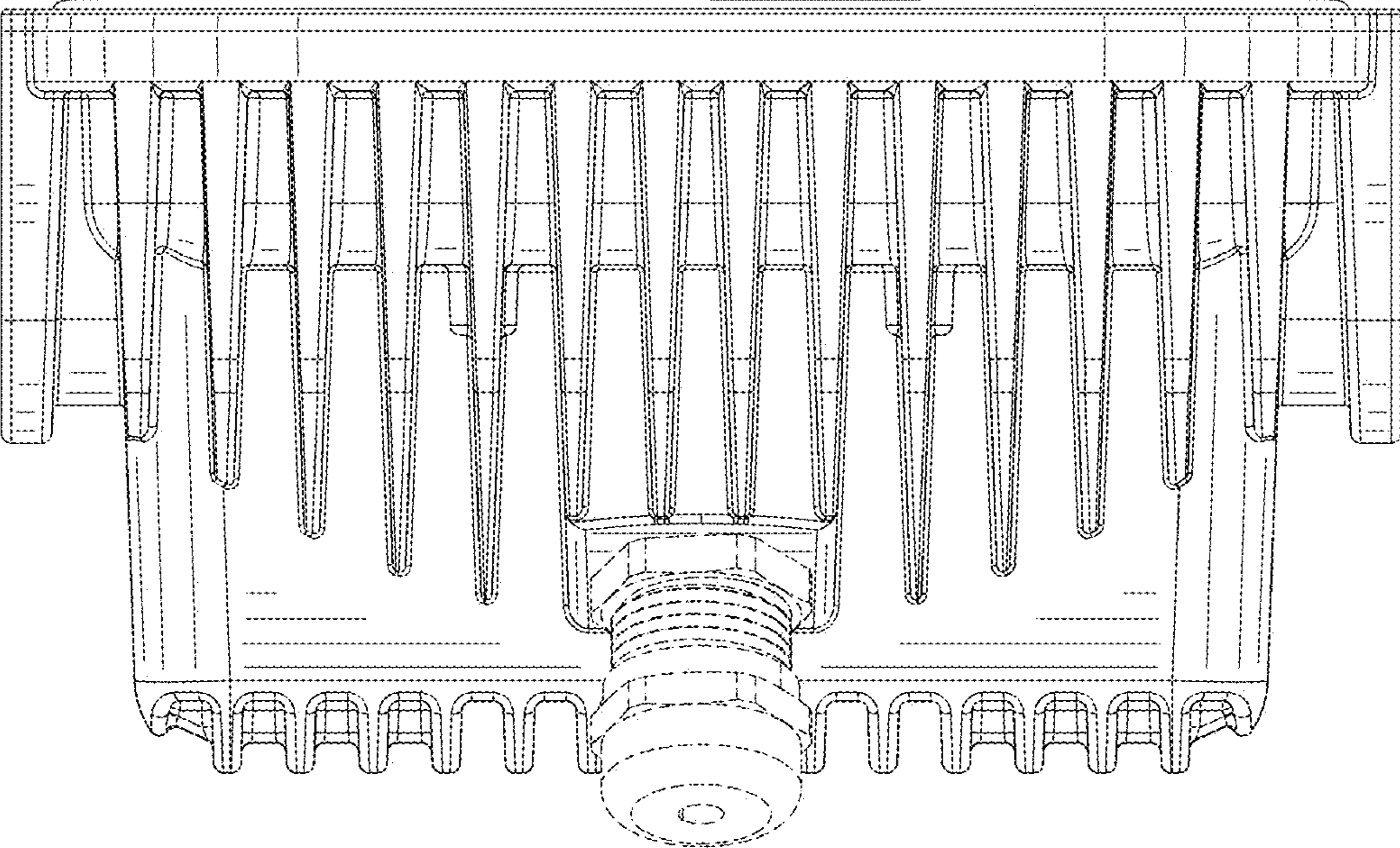


FIG. 8