



US00D957021S

(12) **United States Design Patent**  
**Bin et al.**

(10) **Patent No.:** **US D957,021 S**  
(45) **Date of Patent:** **\*\* Jul. 5, 2022**

- (54) **GRILL LIGHT**
- (71) Applicant: **Guangdong XIAOSHU DIAN Technology Co., Ltd, Foshan (CN)**
- (72) Inventors: **Miao Bin, Guangzhou (CN); Su Kaizan, Guangzhou (CN)**
- (\*\*) Term: **15 Years**
- (21) Appl. No.: **29/753,159**
- (22) Filed: **Sep. 30, 2020**
- (51) **LOC (13) Cl.** ..... **26-05**
- (52) **U.S. Cl.**  
USPC ..... **D26/62**
- (58) **Field of Classification Search**  
USPC ..... D26/43, 44, 51, 60, 61, 62, 65, 66, 128  
CPC ..... F21V 21/08; F21V 21/14; F21V 21/26;  
F21V 21/32; F21V 21/145; F21V 21/406;  
F21V 21/088; F21V 21/096; F21V  
21/0965; F21S 6/003; F21S 8/00  
See application file for complete search history.

(56) **References Cited**

U.S. PATENT DOCUMENTS

D152,584 S *	2/1949	Becker	.....	D26/43
D192,935 S *	5/1962	Becker	.....	D26/43
D388,524 S *	12/1997	Shiau	.....	D26/43
5,716,121 A *	2/1998	Dubois	.....	F21L 15/08 362/198
D403,453 S *	12/1998	Shiau	.....	D26/43
D484,270 S	12/2003	Yiu	.....	
D489,839 S *	5/2004	Opolka	.....	D26/43
D504,535 S *	4/2005	Shiu	.....	D26/60
D524,969 S *	7/2006	Shiu	.....	D26/43
D536,116 S *	1/2007	Sharrah	.....	D26/43
D565,218 S *	3/2008	Chien	.....	D26/43
D590,534 S *	4/2009	Levine	.....	D26/62
D603,537 S	11/2009	Rowehl et al.	.....	
D604,445 S	11/2009	Ko et al.	.....	

D621,537 S *	8/2010	Borovicka	.....	D26/43
7,810,967 B2 *	10/2010	Ko	.....	F21V 21/088 362/428
D664,694 S *	7/2012	Guercio	.....	D26/62
D673,710 S *	1/2013	Eichelberger	.....	D26/62
D674,523 S	1/2013	Kaffash	.....	
D723,210 S	2/2015	Highbridge et al.	.....	
D773,089 S *	11/2016	Glass	.....	F21V 21/32 D26/62
D776,850 S *	1/2017	Hodgson	.....	D26/62
D793,589 S	8/2017	Deyaf et al.	.....	
D812,794 S *	3/2018	Pickens	.....	D26/43
D824,062 S *	7/2018	Qiu	.....	D26/60
D829,355 S *	9/2018	Li	.....	D26/62
D841,209 S *	2/2019	Boyd	.....	A61B 46/10 D26/62
D905,884 S *	12/2020	Bao	.....	D26/43
2004/0090776 A1 *	5/2004	Yang	.....	F21V 21/32 362/189
2004/0228117 A1 *	11/2004	Witzel	.....	A47J 37/0786 362/92

(Continued)

*Primary Examiner* — Clint A Samuel  
(74) *Attorney, Agent, or Firm* — Rumit Ranjit Kanakia

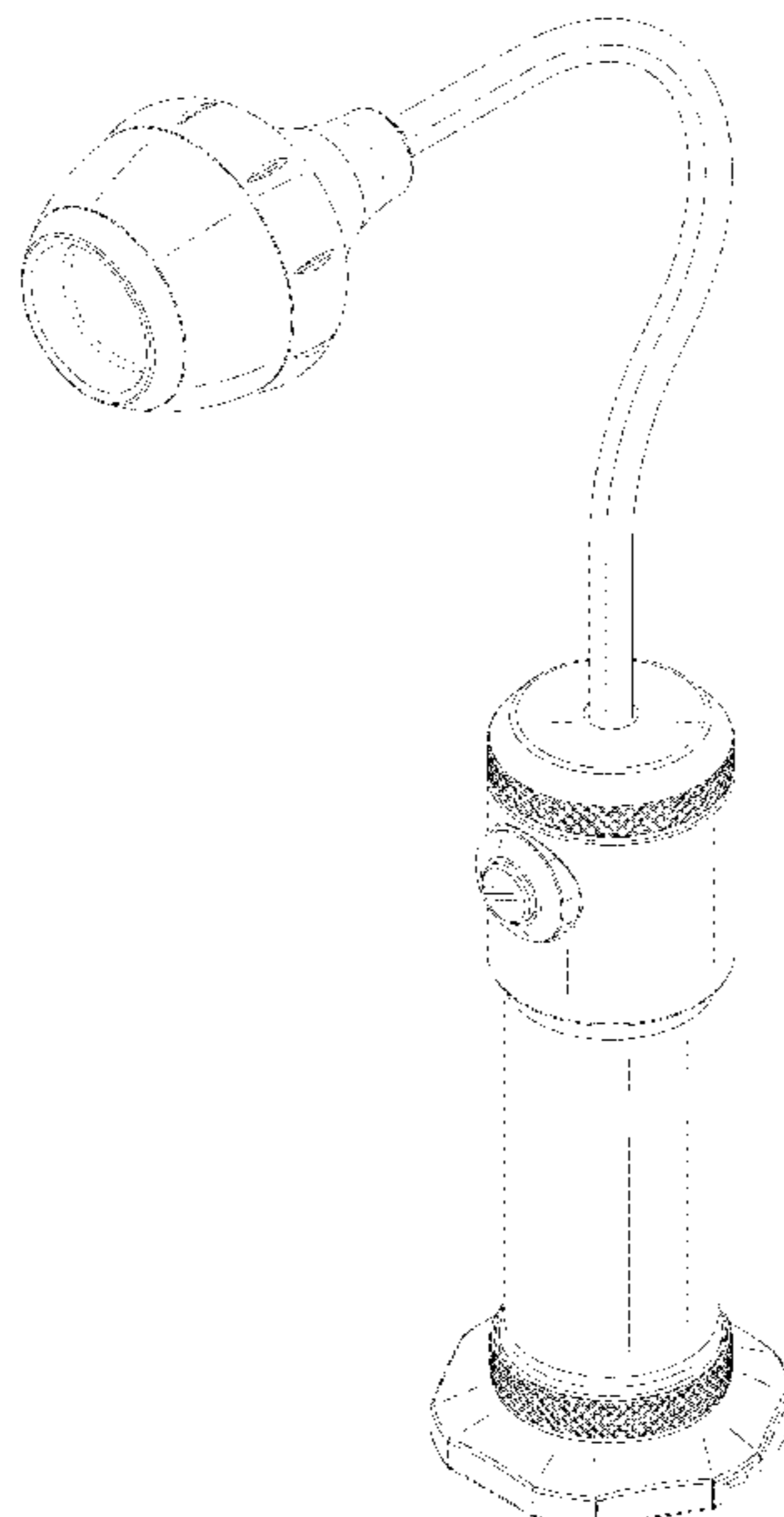
(57) **CLAIM**

We claim the ornamental design for a grill light, as shown and described.

**DESCRIPTION**

FIG. 1 is a Perspective view of a grill light showing my new design;  
FIG. 2 is a Front view thereof;  
FIG. 3 is a Back view thereof;  
FIG. 4 is a Right-side view thereof;  
FIG. 5 is a Left-side view thereof;  
FIG. 6 is a Top view thereof; and,  
FIG. 7 is a Bottom view thereof.  
The broken lines are for the purpose of illustrating portions of the article that form no part of the claim.

**1 Claim, 7 Drawing Sheets**



(56)

**References Cited**

U.S. PATENT DOCUMENTS

2006/0077656 A1\* 4/2006 Huang ..... F21V 21/096  
362/189  
2008/0192461 A1\* 8/2008 Chien ..... F21V 21/096  
362/183  
2009/0122563 A1\* 5/2009 Ko ..... F21S 9/02  
362/418

\* cited by examiner

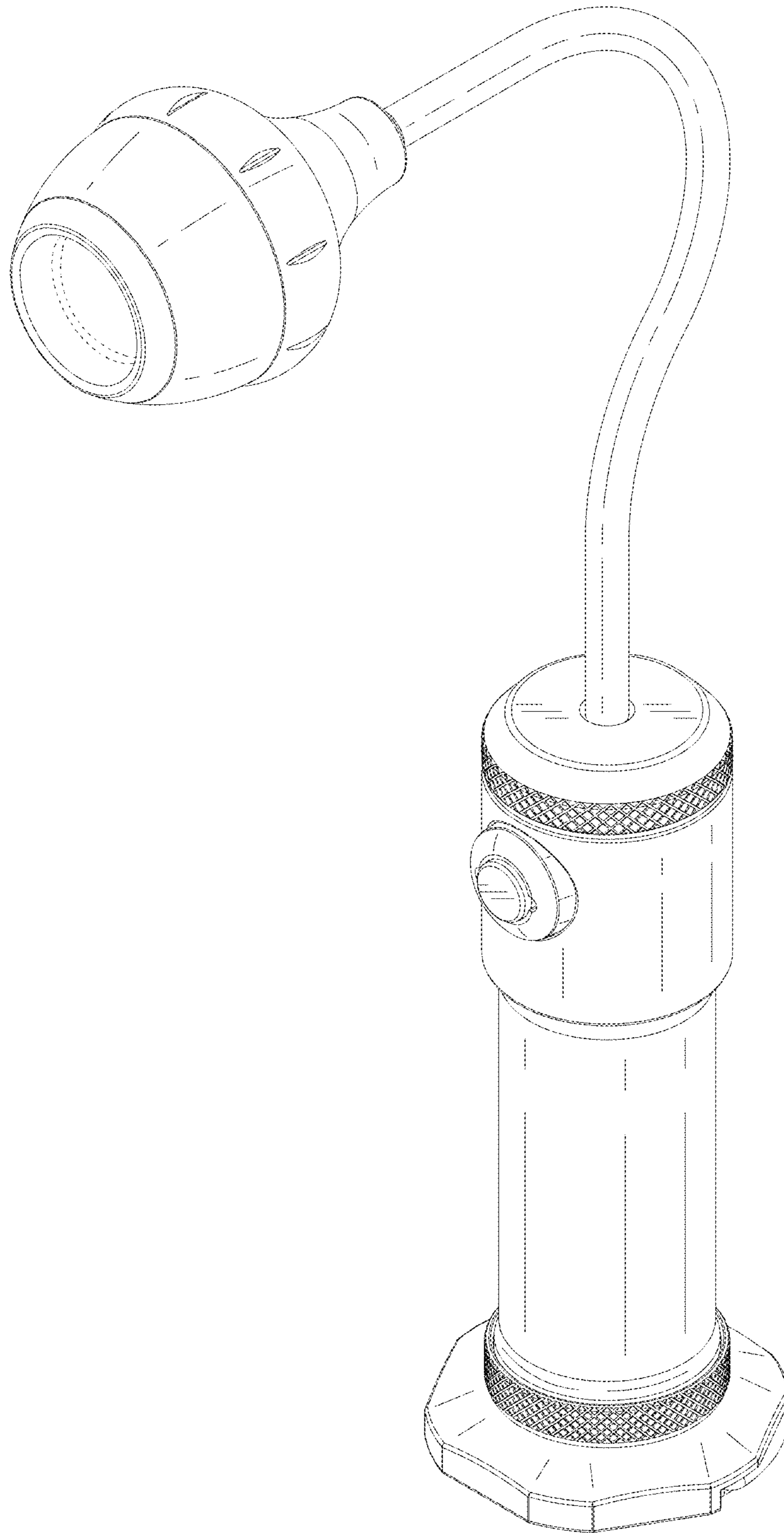


FIG. 1

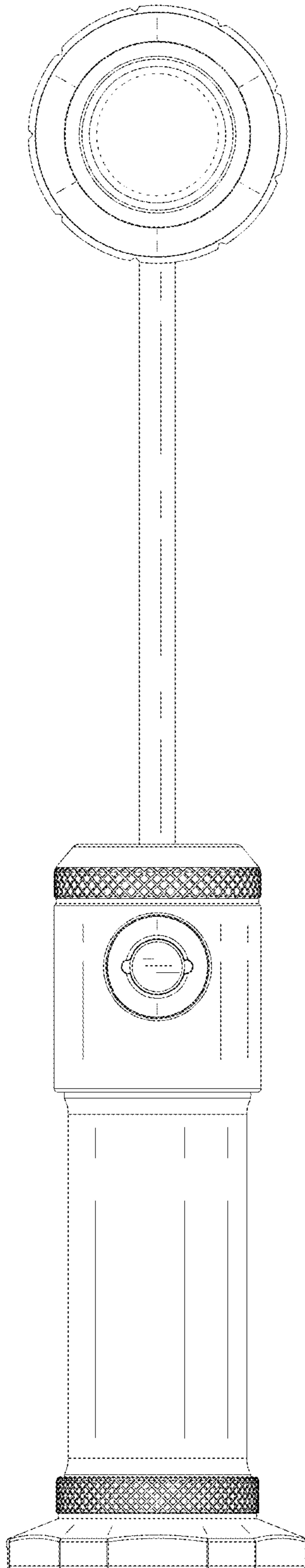


FIG. 2

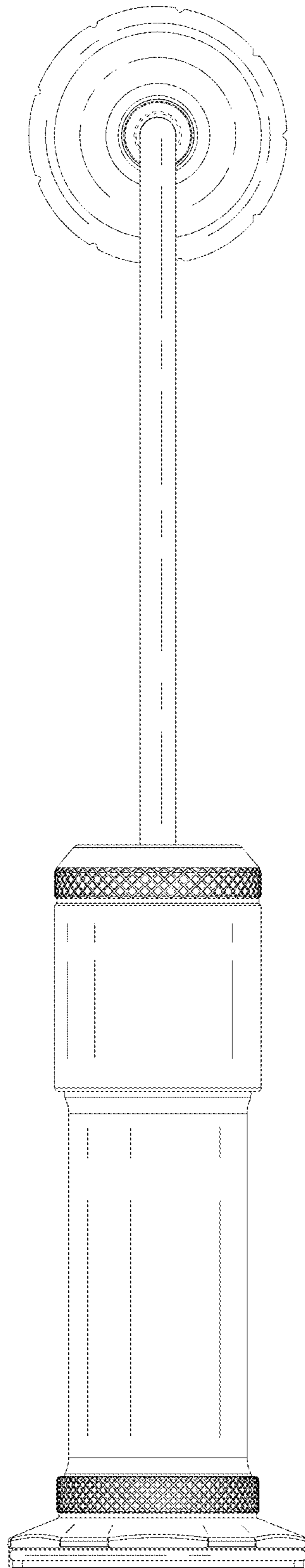


FIG. 3

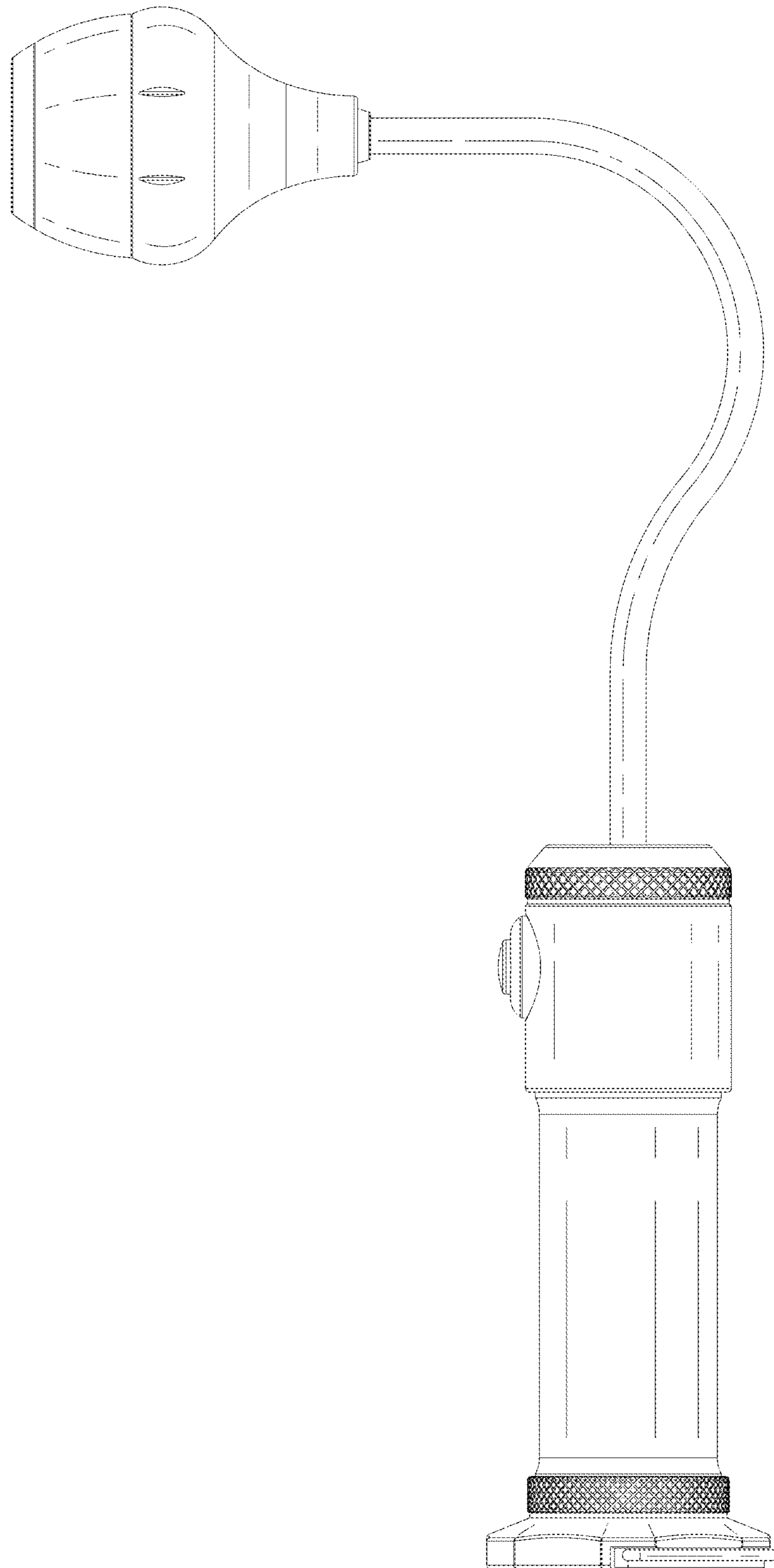


FIG. 4

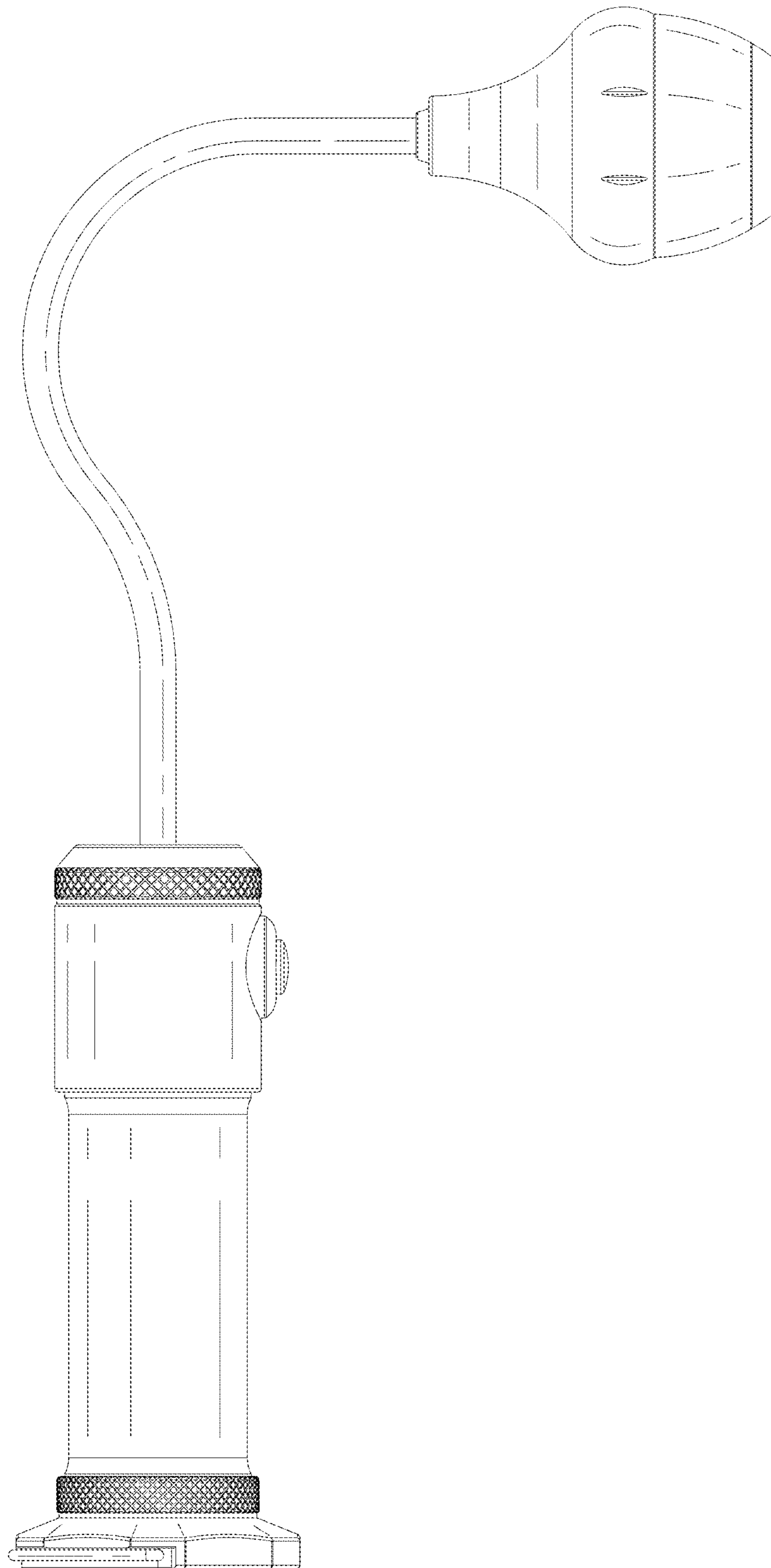


FIG. 5

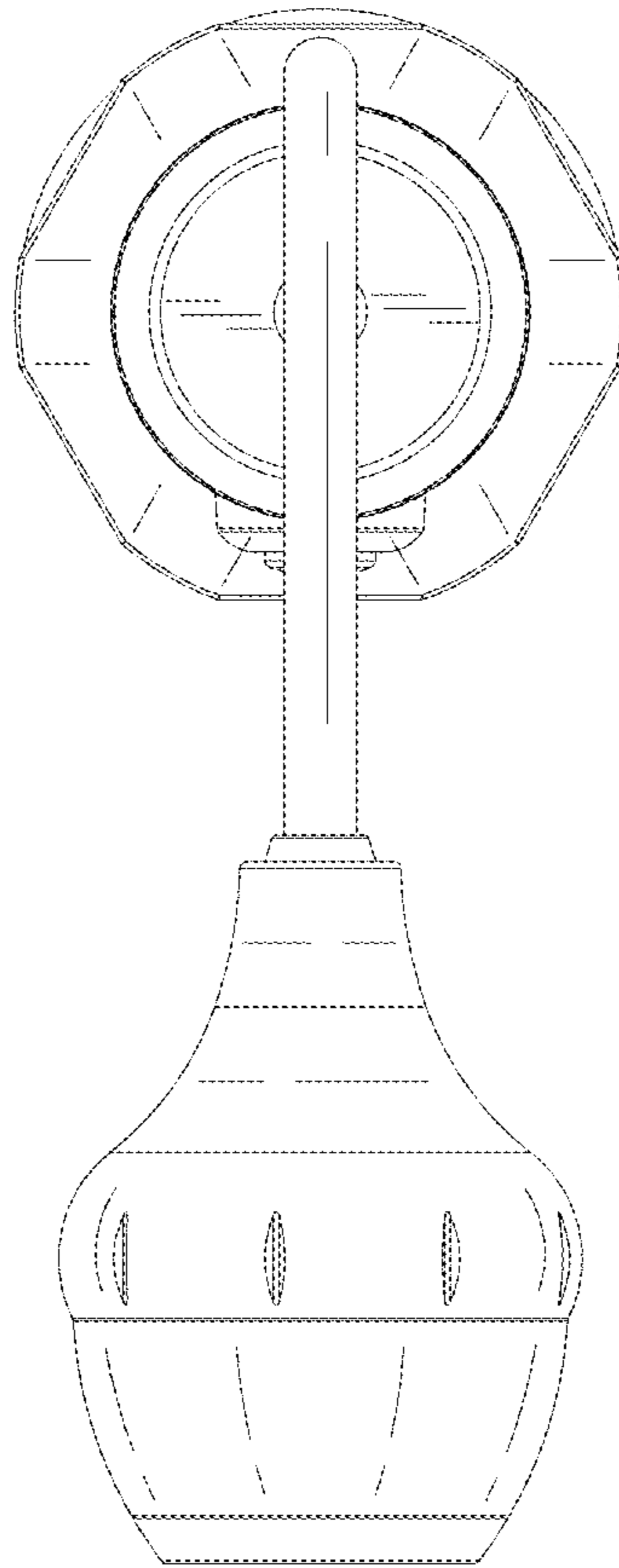


FIG. 6



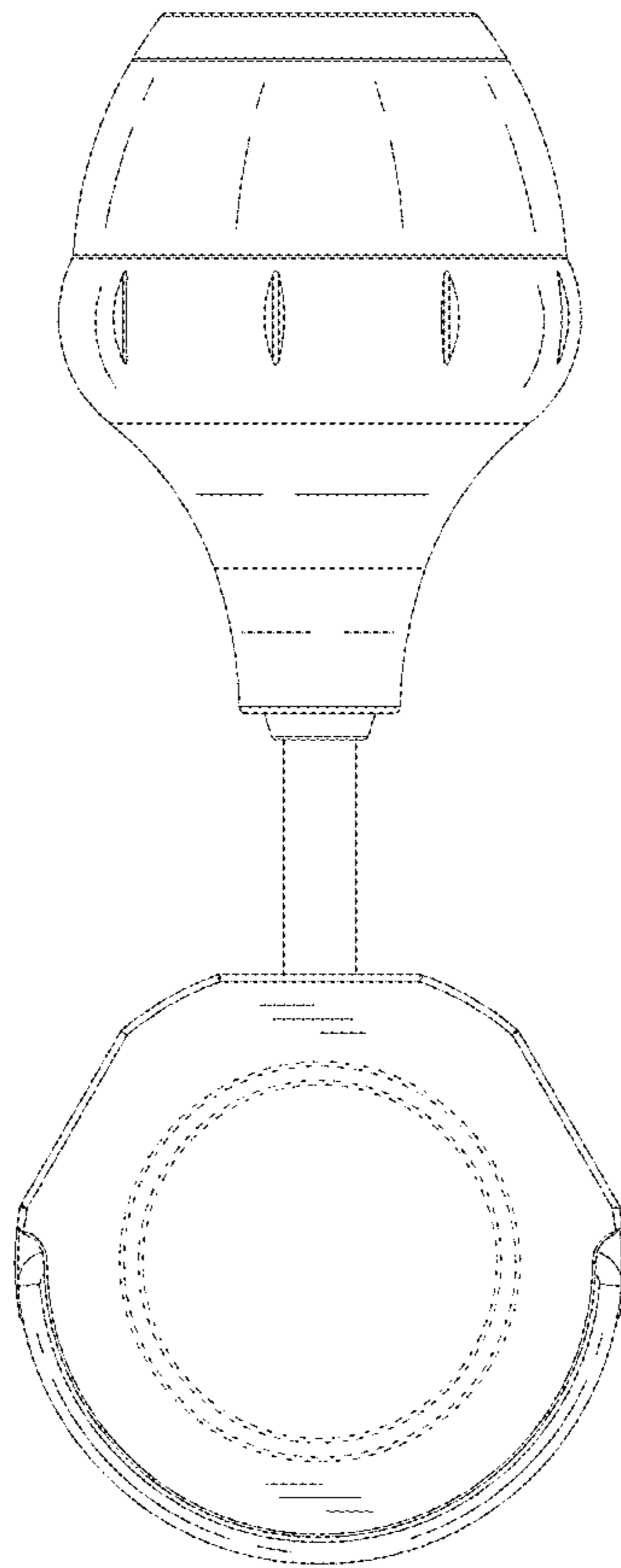


FIG. 7