



US00D957020S

(12) **United States Design Patent**  
**Yang et al.**

(10) **Patent No.:** **US D957,020 S**  
(45) **Date of Patent:** **\*\* Jul. 5, 2022**

(54) **HANGING LAMP FOR A DISPLAY SCREEN**  
(71) Applicant: **BEIJING XIAOMI MOBILE SOFTWARE CO., LTD.**, Beijing (CN)  
(72) Inventors: **Panpan Yang**, Beijing (CN); **Ningning Li**, Beijing (CN)

D245,938 S \* 9/1977 Shaw ..... D26/24  
D336,351 S \* 6/1993 Freese ..... D26/60  
D351,920 S \* 10/1994 Nagy ..... D26/65  
D493,241 S \* 7/2004 Stuart ..... D26/60  
D527,755 S \* 9/2006 Wu ..... D16/202  
D536,110 S \* 1/2007 Wright ..... D26/24  
D537,972 S \* 3/2007 Mier-Langner ..... D26/63  
D564,686 S \* 3/2008 Anderson ..... D26/62

(Continued)

(\*\*) Term: **15 Years**

**FOREIGN PATENT DOCUMENTS**

(21) Appl. No.: **35/511,465**

CN 108399859 A \* 8/2018 ..... F21V 21/26  
CN 109519771 A \* 3/2019 ..... F21S 8/00

(22) Filed: **Aug. 21, 2020**

(Continued)

(80) **Hague Agreement Data**

Int. Filing Date: **Aug. 21, 2020**  
Int. Reg. No.: **DM/211350**  
Int. Reg. Date: **Aug. 21, 2020**  
Int. Reg. Pub. Date: **Feb. 26, 2021**

**OTHER PUBLICATIONS**

CASSORY\_Monitor\_Light (available online Sep. 6, 2021) Retrieved from the internet Feb. 18, 2022 from URL: [https://www.amazon.com/dp/B09FJLMVVC/ref=sspa\\_dk\\_detail\\_9?pd\\_rd\\_i=B09FJLMVVC&pd\\_rd\\_w=Qk0Gk&pf\\_rd\\_p=0c758152-61cd-452f-97a6-17f070f654b8&pd\\_rd\\_wg=KUbqs&pf\\_rd\\_r=DK0WA2R9G82B53A9MQAY&pd\\_rd\\_r=8cb8ce01-2b07-478a-8420-9917.\\*](https://www.amazon.com/dp/B09FJLMVVC/ref=sspa_dk_detail_9?pd_rd_i=B09FJLMVVC&pd_rd_w=Qk0Gk&pf_rd_p=0c758152-61cd-452f-97a6-17f070f654b8&pd_rd_wg=KUbqs&pf_rd_r=DK0WA2R9G82B53A9MQAY&pd_rd_r=8cb8ce01-2b07-478a-8420-9917.*)

(Continued)

(30) **Foreign Application Priority Data**

Feb. 28, 2020 (CN) ..... 202030064478.7

(51) **LOC (13) Cl.** ..... **26-05**

(52) **U.S. Cl.**  
USPC ..... **D26/60**

(58) **Field of Classification Search**  
USPC ..... D26/24, 25, 60, 61, 72, 75, 76, 78, 82, D26/83, 85, 87, 88, 89, 90, 118, 128  
CPC ..... F21S 4/00; F21S 4/10; F21S 4/15; F21S 4/20; F21S 4/24; F21S 4/26; F21S 8/00; F21S 8/02; F21S 8/04; F21S 8/06; F21S 8/026; F21S 8/033; F21S 8/038; F21S 8/061; F21S 8/063; F21S 8/066; F21V 33/0052; F21V 7/0041; F21V 7/005  
See application file for complete search history.

Primary Examiner — Richard Kearney

(57) **CLAIM**

The ornamental design for a hanging lamp for a display screen, as shown and described.

**DESCRIPTION**

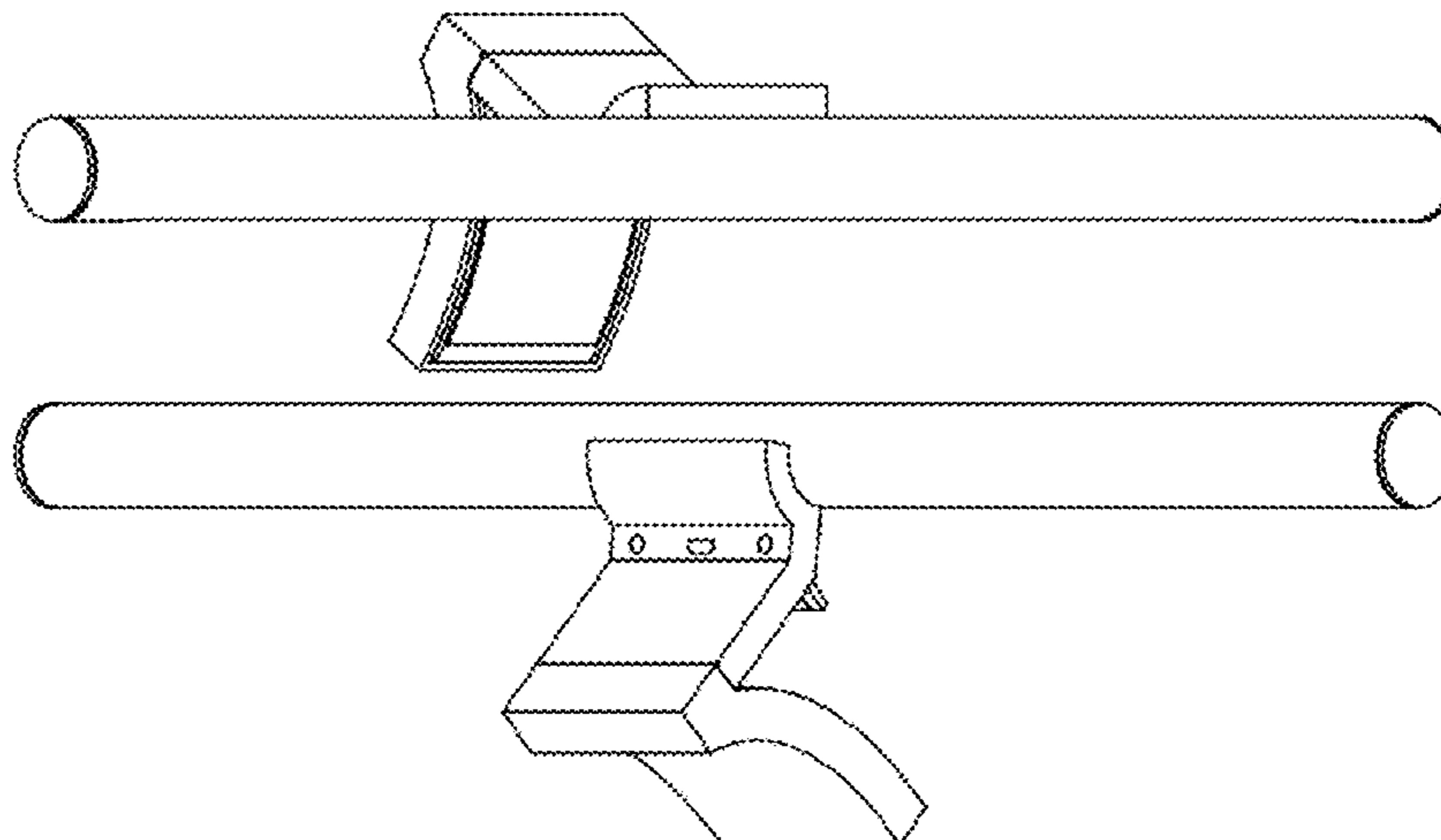
- 1. Hanging lamp for a display screen
- 1.1 : Front
- 1.2 : Back
- 1.3 : Left
- 1.4 : Right
- 1.5 : Top
- 1.6 : Bottom
- 1.7 : Perspective view 1
- 1.8 : Perspective view 2

(Continued)

(56) **References Cited**

**U.S. PATENT DOCUMENTS**

D145,696 S \* 10/1946 McCann ..... D26/82  
D155,488 S \* 10/1949 Crockett ..... D26/60  
D175,933 S \* 11/1955 Crockett ..... D26/38



The product incorporating the design is used for illumination; the drawing designated to best show the essential features of the design is the perspective view 1.

**1 Claim, 8 Drawing Sheets**

(56)

**References Cited**

U.S. PATENT DOCUMENTS

D571,031 S \* 6/2008 Perkins ..... D26/60  
 7,431,253 B2 \* 10/2008 Yeh ..... F16M 13/00  
 248/231.51  
 D599,494 S \* 9/2009 Levine ..... D26/61  
 D621,083 S \* 8/2010 Coughaine ..... D26/61  
 D629,131 S \* 12/2010 Seal ..... D26/60  
 D641,770 S \* 7/2011 Hoehn ..... D16/202  
 D859,713 S \* 9/2019 Hodgson ..... D26/62  
 D870,790 S \* 12/2019 Depay ..... D16/202  
 D893,791 S \* 8/2020 Lin ..... D26/63  
 D907,276 S \* 1/2021 Jiang ..... D26/87  
 D907,277 S \* 1/2021 Jiang ..... D26/87  
 D907,834 S \* 1/2021 Goza ..... D26/76  
 D909,614 S \* 2/2021 Holland ..... D25/41.1  
 D921,950 S \* 6/2021 Ye ..... D26/60  
 D936,125 S \* 11/2021 Wu ..... D16/202

D936,127 S \* 11/2021 Wu ..... D16/202  
 D936,263 S \* 11/2021 Yang ..... D26/60  
 2011/0243547 A1 \* 10/2011 Khamsepoor ..... H04N 5/2251  
 396/428  
 2013/0229794 A1 \* 9/2013 Miki ..... F21K 9/27  
 362/223  
 2018/0117208 A1 \* 5/2018 Graupner ..... A61L 2/10

FOREIGN PATENT DOCUMENTS

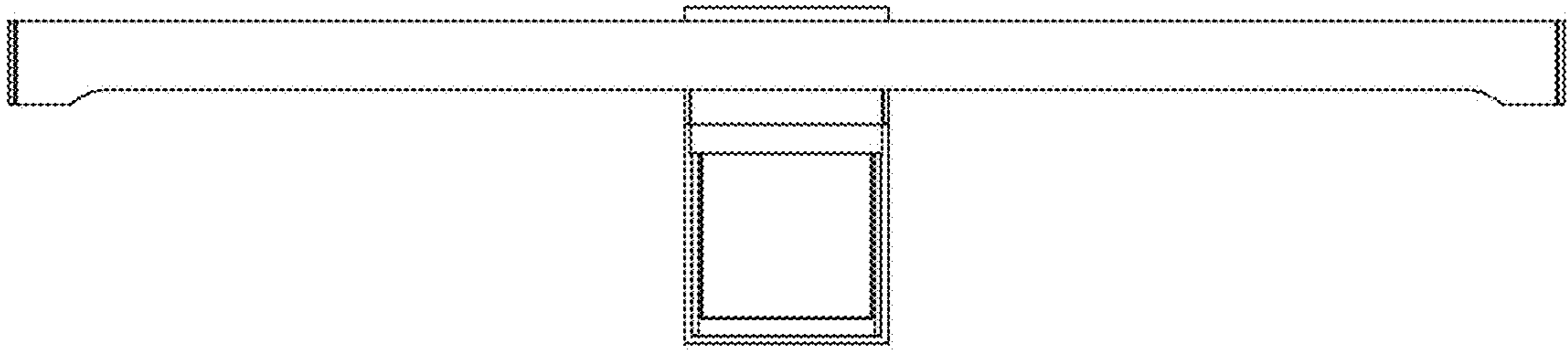
CN RGN\_305822959 \* 6/2020  
 CN RGN-306133181 \* 10/2020  
 CN 112797377 A \* 5/2021 ..... F21V 21/088  
 CN 215570282 U \* 1/2022 ..... F21S 8/00

OTHER PUBLICATIONS

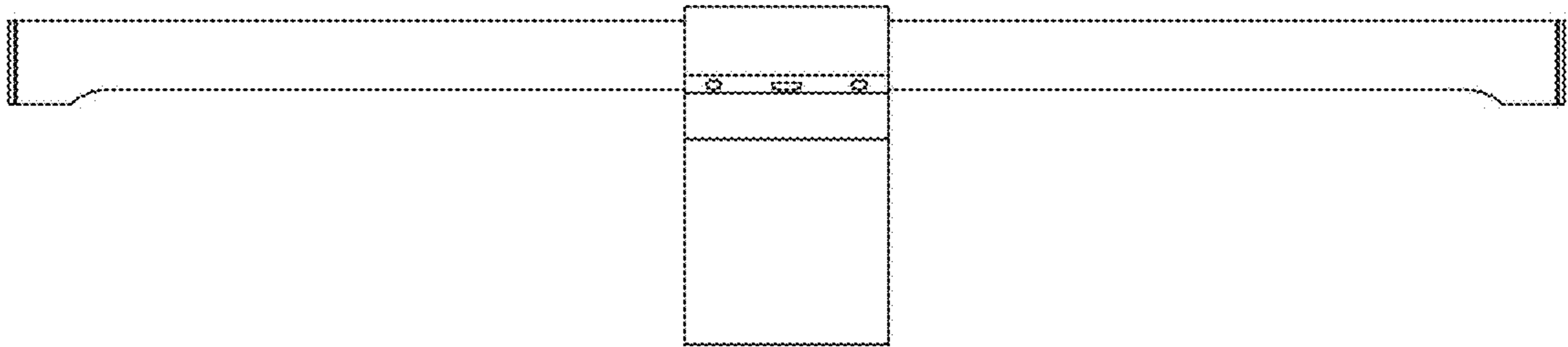
BenQ ScreenBar Pluse-Reading LED Computer Monitor Light (available online une 12, 2018) Retrieved from the internet Feb. 18, 2022 from URL: <https://www.amazon.com/dp/B07DP7RYXV?th=1>.  
 Xiaomi Mijia Computer Monitor Light (available online une 12, 2018) Retrieved from the internet Feb. 18, 2022 from URL: <https://www.walmart.com/ip/Xiaomi-Mijia-Computer-Monitor-Light-Lamp-Screen-Bar-USB-Powered-Light-Foldable-Eye-Care-Adjustable-Brightness-Color-Temperature-Reading/530491266>.\*

\* cited by examiner

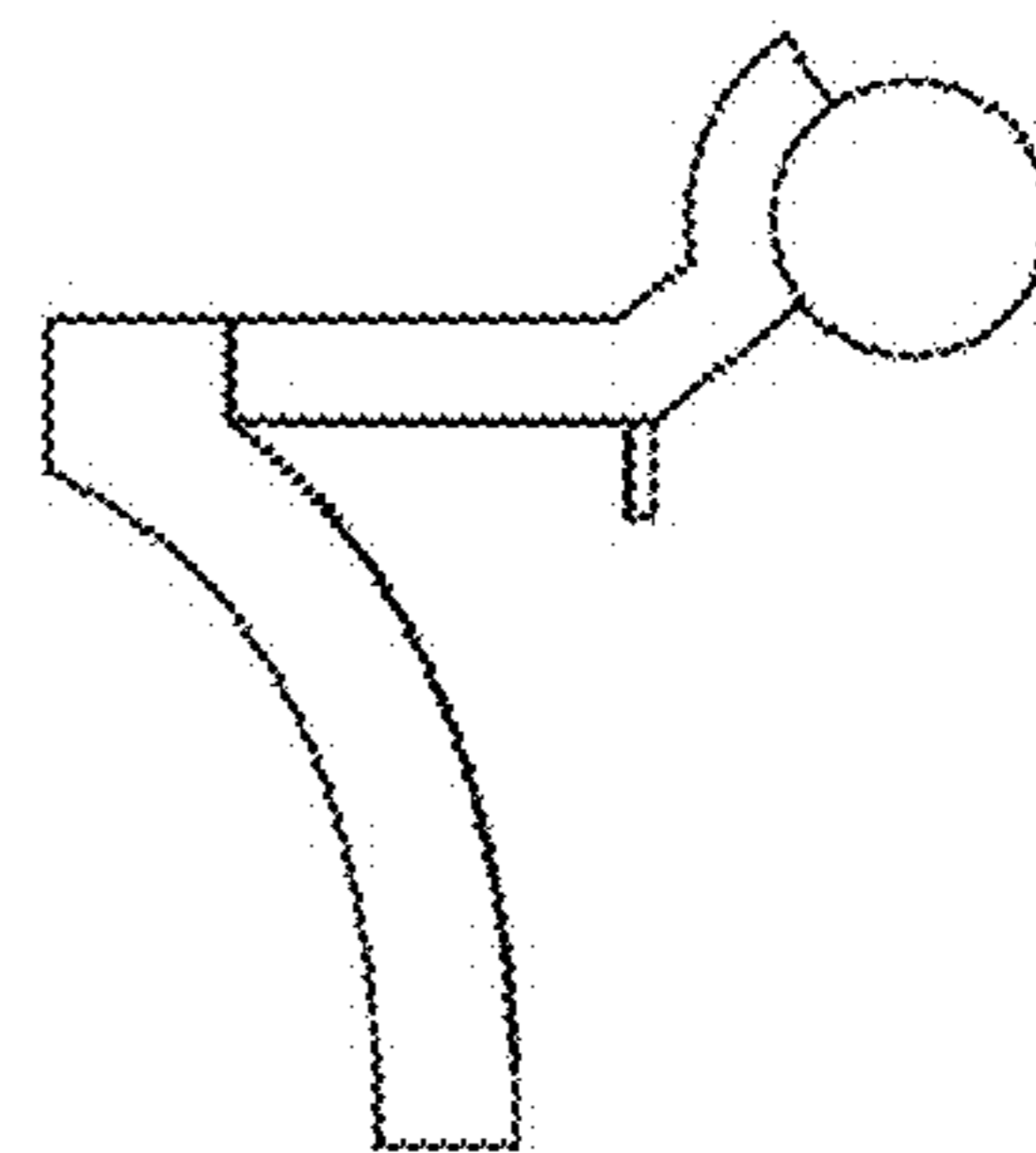
1.1



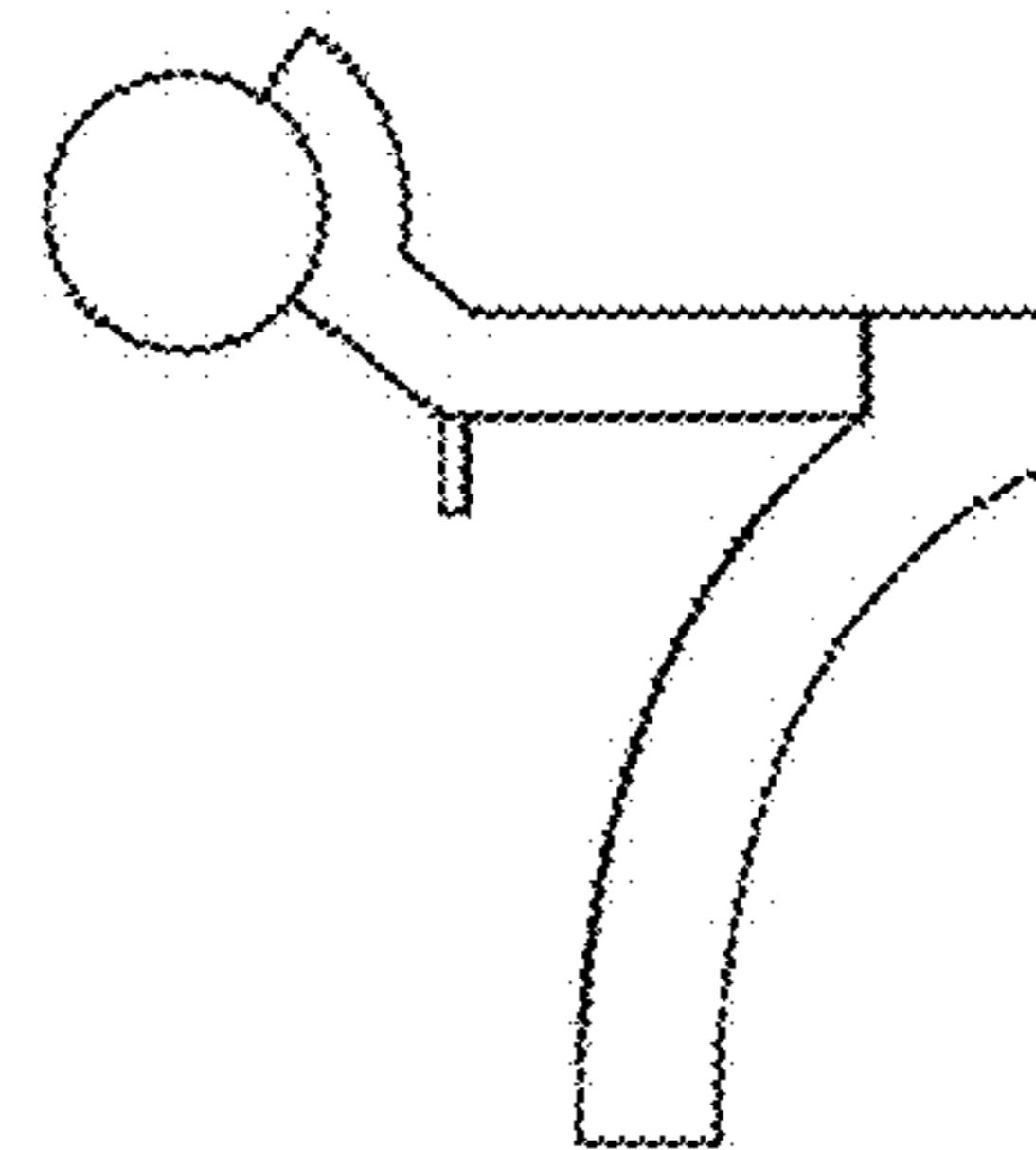
1.2



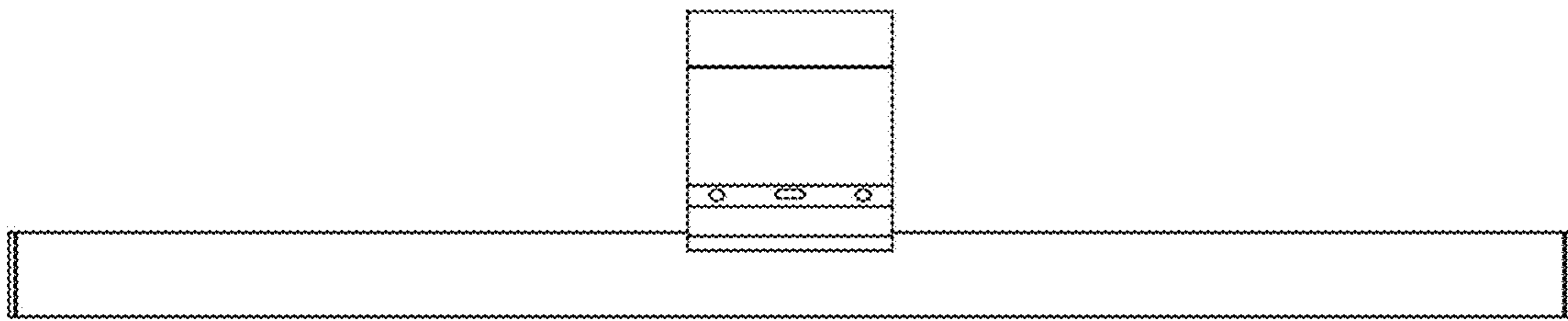
1.3



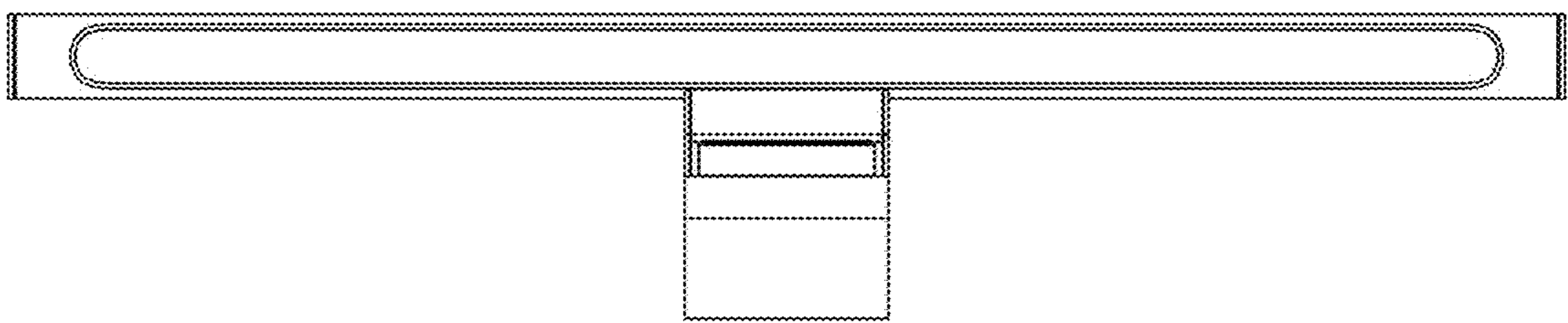
1.4



1.5

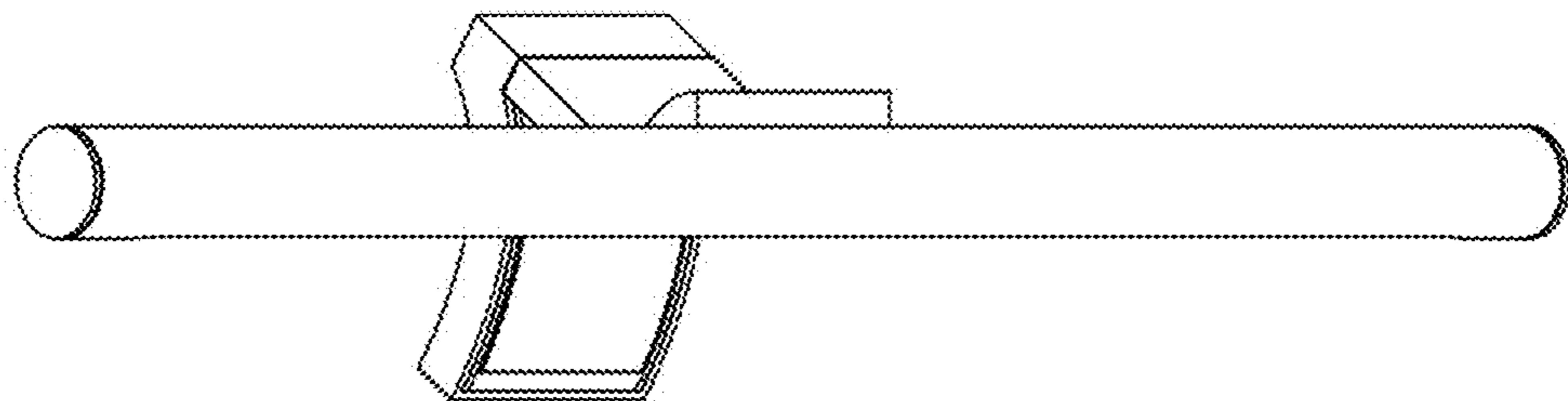


1.6





1.7



1.8

