



US00D957019S

(12) **United States Design Patent**
Yang et al.

(10) **Patent No.:** **US D957,019 S**
(45) **Date of Patent:** **** Jul. 5, 2022**

(54) **HANGING LAMP FOR A DISPLAY SCREEN**
(71) Applicant: **BEIJING XIAOMI MOBILE SOFTWARE CO., LTD.,** Beijing (CN)
(72) Inventors: **Panpan Yang,** Beijing (CN); **Ningning Li,** Beijing (CN)
(**) Term: **15 Years**

D245,938 S * 9/1977 Shaw D26/24
D336,351 S * 6/1993 Freese D26/60
D351,920 S * 10/1994 Nagy D26/65
D493,241 S * 7/2004 Stuart D26/60
D527,755 S * 9/2006 Wu D16/202
D536,110 S * 1/2007 Wright D26/24
D537,972 S * 3/2007 Mier-Langner D26/63
D564,686 S * 3/2008 Anderson D26/62
(Continued)

(21) Appl. No.: **35/511,450**
(22) Filed: **Aug. 21, 2020**

FOREIGN PATENT DOCUMENTS

CN 108399859 A * 8/2018 F21V 21/26
CN 109519771 A * 3/2019 F21S 8/00
(Continued)

(80) **Hague Agreement Data**
Int. Filing Date: **Aug. 21, 2020**
Int. Reg. No.: **DM/211663**
Int. Reg. Date: **Aug. 21, 2020**
Int. Reg. Pub. Date: **Feb. 26, 2021**

OTHER PUBLICATIONS

CASSORY_Monitor_Light (available online Sep. 6, 2021) Retrieved from the internet Feb. 18, 2022 from URL: https://www.amazon.com/dp/B09FJLMWC/ref=sspa_dk_detail_9?pd_rd_i=B09FJLMWC&pd_rd_w=Qk0Gk&pf_rd_p=0c758152-61cd-452f-97a6-17f070f654b8&pd_rd_wg=KUbqs&pf_rd_r=DK0WA2R9G82B53A9MQAY&pd_rd_r=8cb8ce01-2b07-478a-8420-9917.*
(Continued)

(30) **Foreign Application Priority Data**
Feb. 28, 2020 (CN) 202030064209.0
(51) **LOC (13) Cl.** **26-05**
(52) **U.S. Cl.**
USPC **D26/60**
(58) **Field of Classification Search**
USPC D26/24, 25, 60, 61, 72, 75, 76, 78, 82, D26/83, 85, 87, 88, 89, 90, 118, 128
CPC F21S 4/00; F21S 4/10; F21S 4/15; F21S 4/20; F21S 4/24; F21S 4/26; F21S 8/00; F21S 8/02; F21S 8/04; F21S 8/06; F21S 8/026; F21S 8/033; F21S 8/038; F21S 8/061; F21S 8/063; F21S 8/066; F21V 33/0052; F21V 7/0041; F21V 7/005
See application file for complete search history.

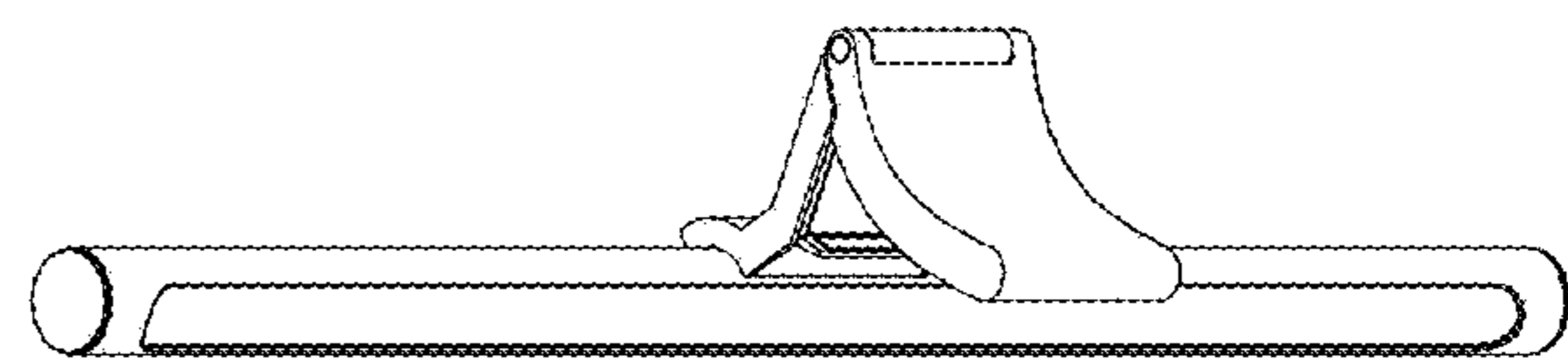
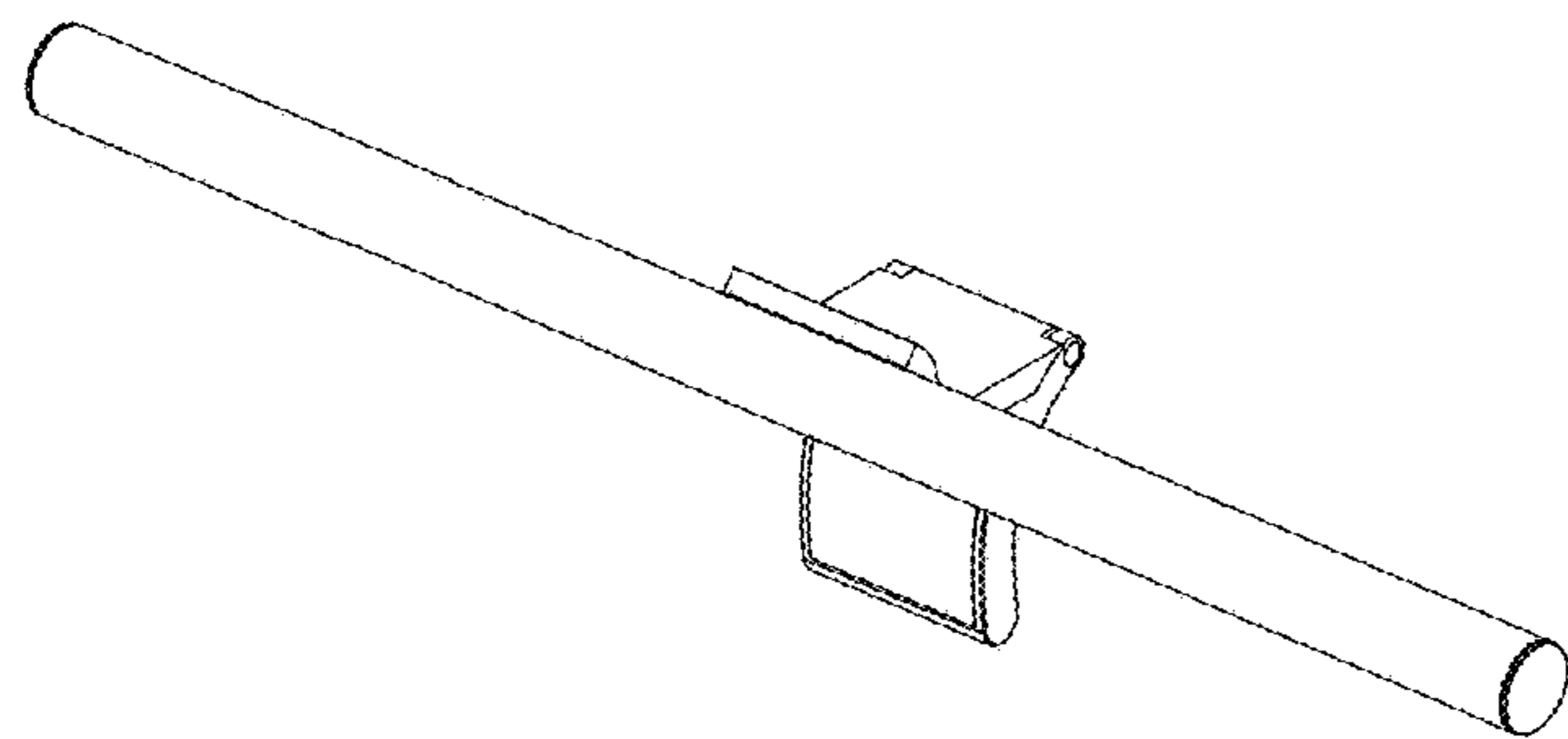
Primary Examiner — Richard Kearney

(57) **CLAIM**
The ornamental design for a hanging lamp for a display screen, as shown and described.

(56) **References Cited**
U.S. PATENT DOCUMENTS
D145,696 S * 10/1946 McCann D26/82
D155,488 S * 10/1949 Crockett D26/60
D175,933 S * 11/1955 Crockett D26/38

DESCRIPTION

1. Hanging lamp for a display screen
1.1 : Front
1.2 : Back
1.3 : Left
1.4 : Right
1.5 : Top
1.6 : Bottom
1.7 : Perspective view 1
1.8 : Perspective view 2
(Continued)



The product incorporating the design is used for illumination; the drawing designated to best show the essential features of the design is the perspective view 1.

1 Claim, 8 Drawing Sheets

(56)

References Cited

U.S. PATENT DOCUMENTS

D571,031 S * 6/2008 Perkins D26/60
 7,431,253 B2 * 10/2008 Yeh F16M 13/00
 248/231.51
 D599,494 S * 9/2009 Levine D26/61
 D621,083 S * 8/2010 Coughaine D26/61
 D629,131 S * 12/2010 Seal D26/60
 D641,770 S * 7/2011 Hoehn D16/202
 D859,713 S * 9/2019 Hodgson D26/62
 D870,790 S * 12/2019 Depay D16/202
 D893,791 S * 8/2020 Lin D26/63
 D907,276 S * 1/2021 Jiang D26/87
 D907,277 S * 1/2021 Jiang D26/87
 D907,834 S * 1/2021 Goza D26/76
 D909,614 S * 2/2021 Holland D25/41.1
 D921,950 S * 6/2021 Ye D26/60
 D936,125 S * 11/2021 Wu D16/202

D936,127 S * 11/2021 Wu D16/202
 D936,263 S * 11/2021 Yang D26/60
 2011/0243547 A1 * 10/2011 Khamsepoor H04N 5/2251
 396/428
 2013/0229794 A1 * 9/2013 Miki F21K 9/27
 362/223
 2018/0117208 A1 * 5/2018 Graupner A61L 2/10

FOREIGN PATENT DOCUMENTS

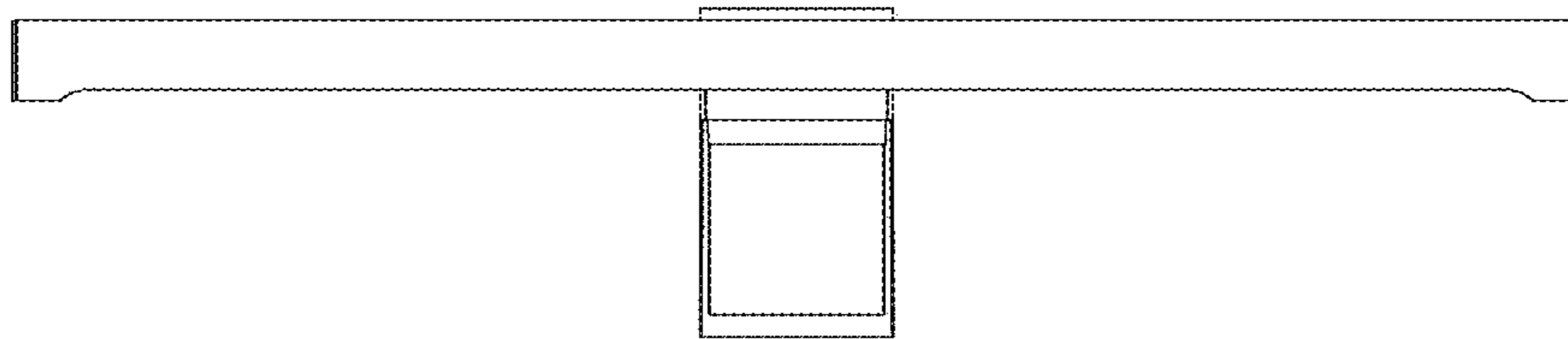
CN RGN_305822959 * 6/2020
 CN RGN-306060795 * 9/2020
 CN 112797377 A * 5/2021 F21V 21/088
 CN 215570282 U * 1/2022 F21S 8/00

OTHER PUBLICATIONS

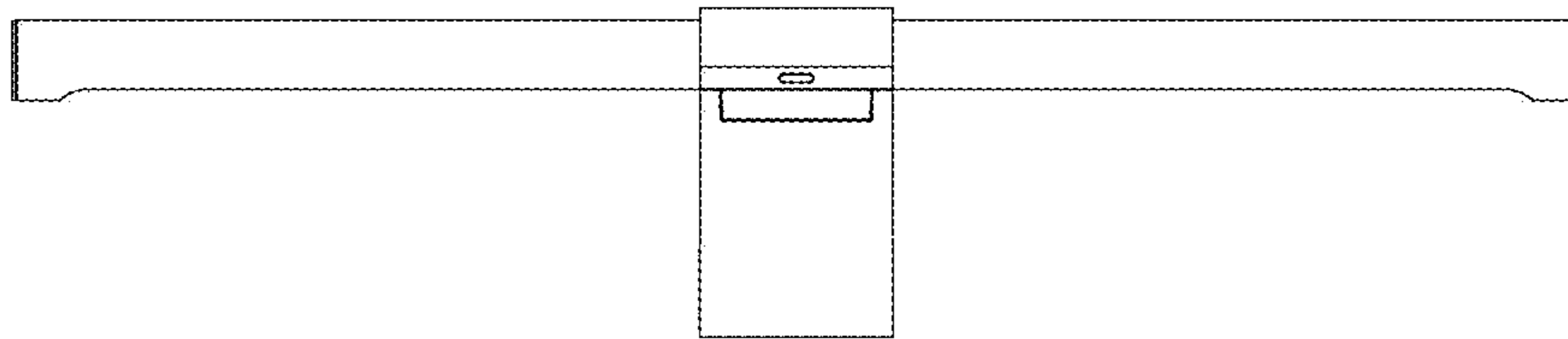
BenQ ScreenBar Plus-Reading LED Computer Monitor Light (available online une 12, 2018) Retrieved from the internet Feb. 18, 2022 from URL: <https://www.amazon.com/dp/B07DP7RYXV?th=1>.
 Xiaomi Mijia Computer Monitor Light (available online une 12, 2018) Retrieved from the internet Feb. 18, 2022 from URL: <https://www.walmart.com/ip/Xiaomi-Mijia-Computer-Monitor-Light-Lamp-Screen-Bar-USB-Powered-Light-Foldable-Eye-Care-Adjustable-Brightness-Color-Temperature-Reading/530491266>.

* cited by examiner

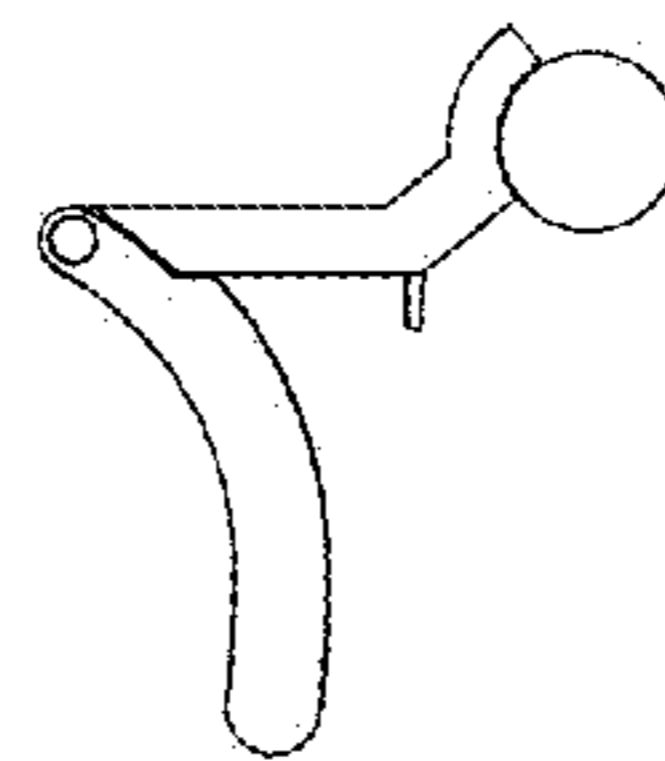
1.1



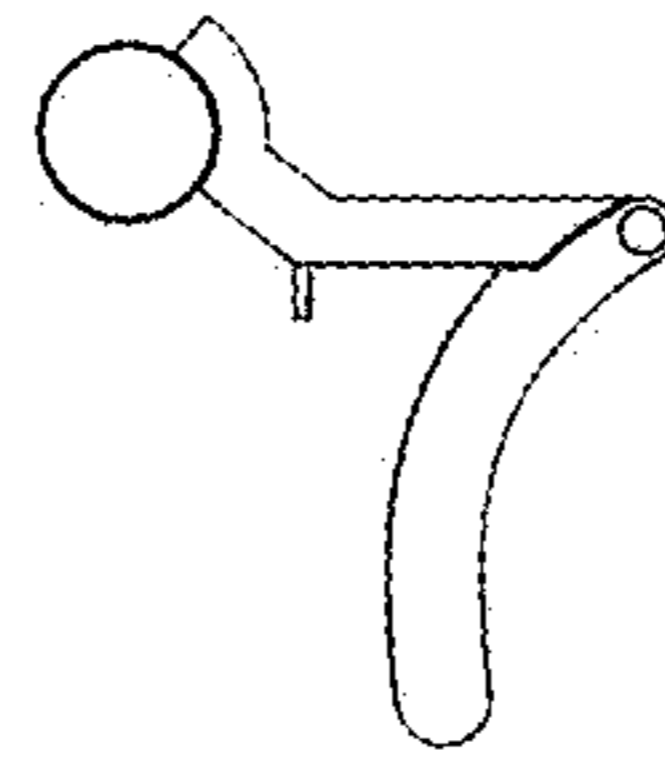
1.2



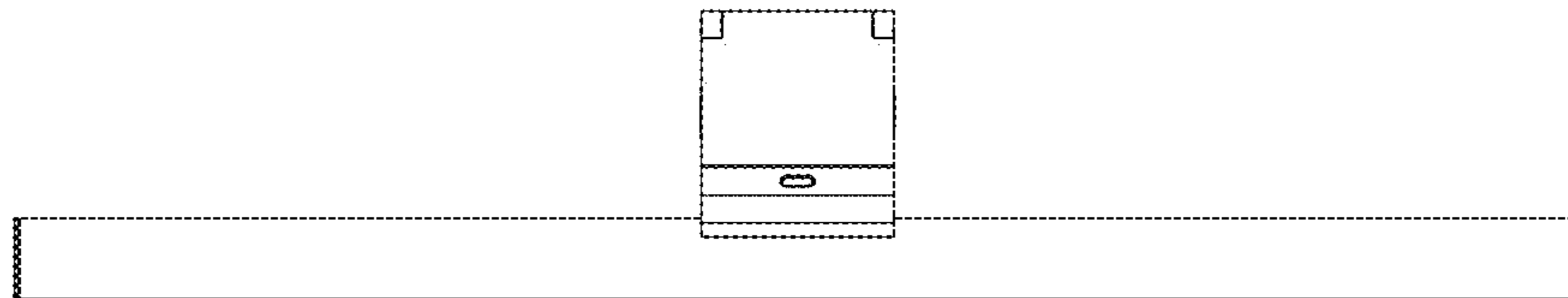
1.3



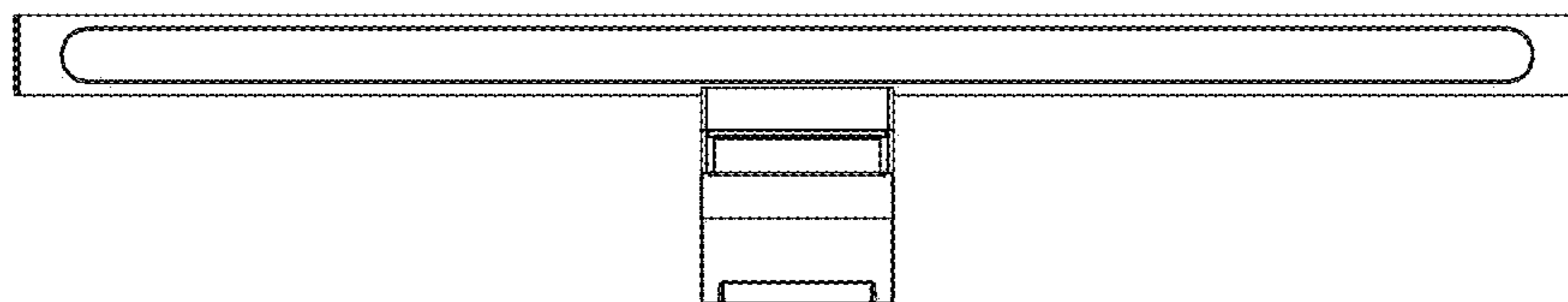
1.4



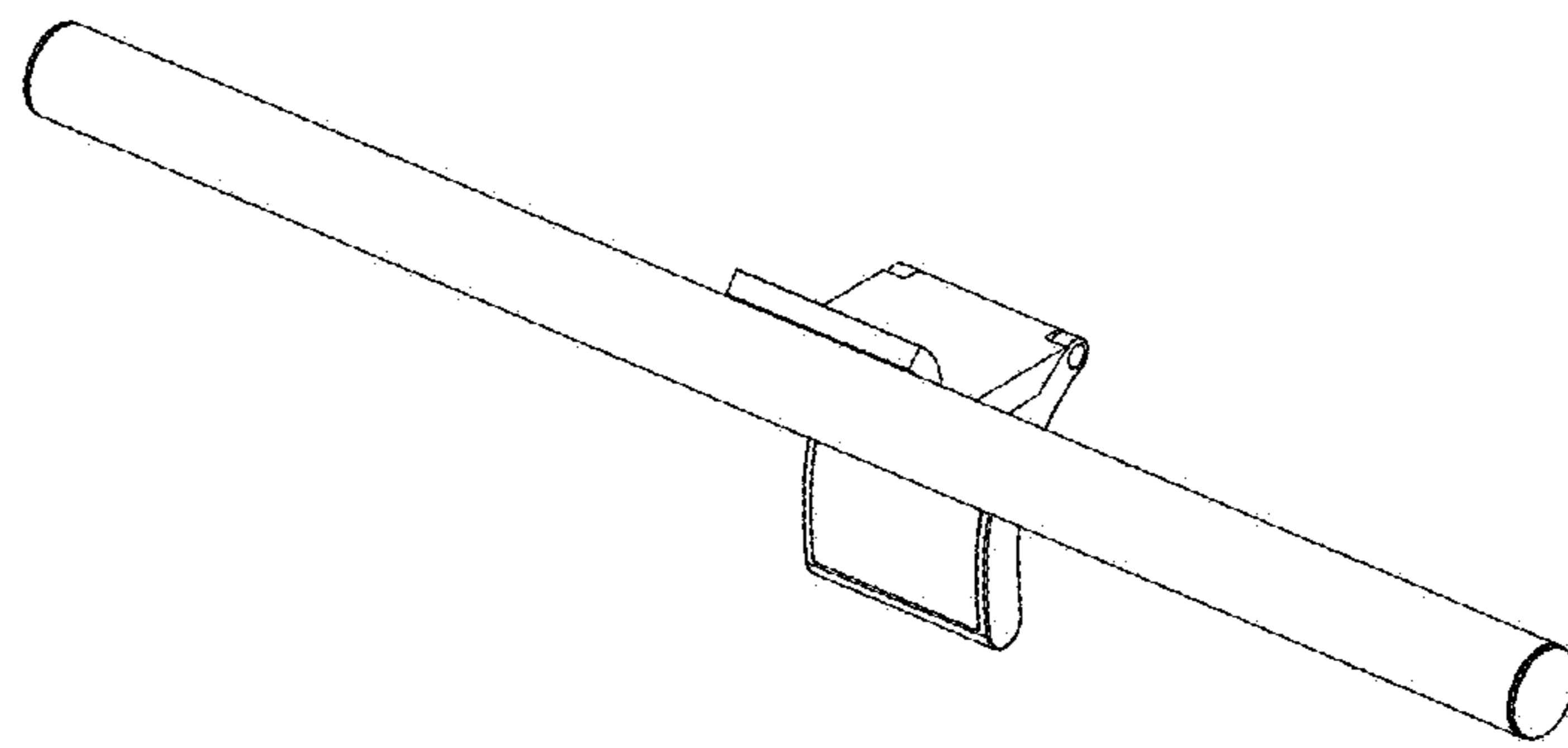
1.5



1.6



1.7



1.8

