



US00D957017S

(12) **United States Design Patent**
Kim et al.

(10) **Patent No.:** **US D957,017 S**

(45) **Date of Patent:** **** Jul. 5, 2022**

(54) **PORTABLE LAMP**

(71) Applicant: **Min Yang Kim**, Yongin-si (KR)

(72) Inventors: **Min Yang Kim**, Yongin-si (KR); **Jin Ju Kwon**, Seoul (KR)

(73) Assignee: **Min Yang Kim**, Yongin-si (KR)

(**) Term: **15 Years**

(21) Appl. No.: **29/694,787**

(22) Filed: **Jun. 13, 2019**

(30) **Foreign Application Priority Data**

Dec. 14, 2018 (KR) 30-2018-0059213

(51) **LOC (13) Cl.** **26-05**

(52) **U.S. Cl.**
USPC **D26/37; D26/24**

(58) **Field of Classification Search**
USPC D26/24, 72, 37, 38, 51, 60
CPC F21S 6/003; F21S 9/037; F21W 2111/10;
F21W 2131/3005
See application file for complete search history.

(56) **References Cited**

U.S. PATENT DOCUMENTS

D143,109 S * 12/1945 Akers D19/113
D178,575 S * 8/1956 Larson D26/24
D199,457 S * 10/1964 Albright D26/104
D310,576 S * 9/1990 Narbut D26/58
5,337,224 A * 8/1994 Field G09F 13/0409
40/367
5,688,037 A * 11/1997 Chen F21V 23/04
362/186
D449,437 S * 10/2001 Leung D3/209
D581,569 S * 11/2008 Levine D26/61

D606,227 S * 12/2009 Erickson D26/72
D606,673 S * 12/2009 Kao D26/3
D612,081 S * 3/2010 Ding D26/37
D626,270 S * 10/2010 Waldmann D26/85
D627,905 S * 11/2010 Swafford, Jr. D26/24
D628,726 S * 12/2010 Chen D26/37
D656,648 S * 3/2012 Tompkin D26/46
D819,254 S * 5/2018 Richardson D26/85
D917,759 S * 4/2021 Zhou D26/72
D933,860 S * 10/2021 Burks D26/24
D940,372 S * 1/2022 Loew D26/85
D945,659 S * 3/2022 James D26/39

OTHER PUBLICATIONS

Grape Lab “Page Light”—Solar-Powered Wireless LED Lamp.
Posted on youtube.com Nov. 8, 2019. (Year: 2019).*

* cited by examiner

Primary Examiner — Clare E Hefflin

(74) *Attorney, Agent, or Firm* — Rabin & Berdo, P.C.

(57) **CLAIM**

The ornamental design for a portable lamp, as shown and described.

DESCRIPTION

FIG. 1 is a perspective view of a portable lamp showing our new design;

FIG. 2 is a front view thereof;

FIG. 3 is a rear view thereof;

FIG. 4 is a left side view thereof;

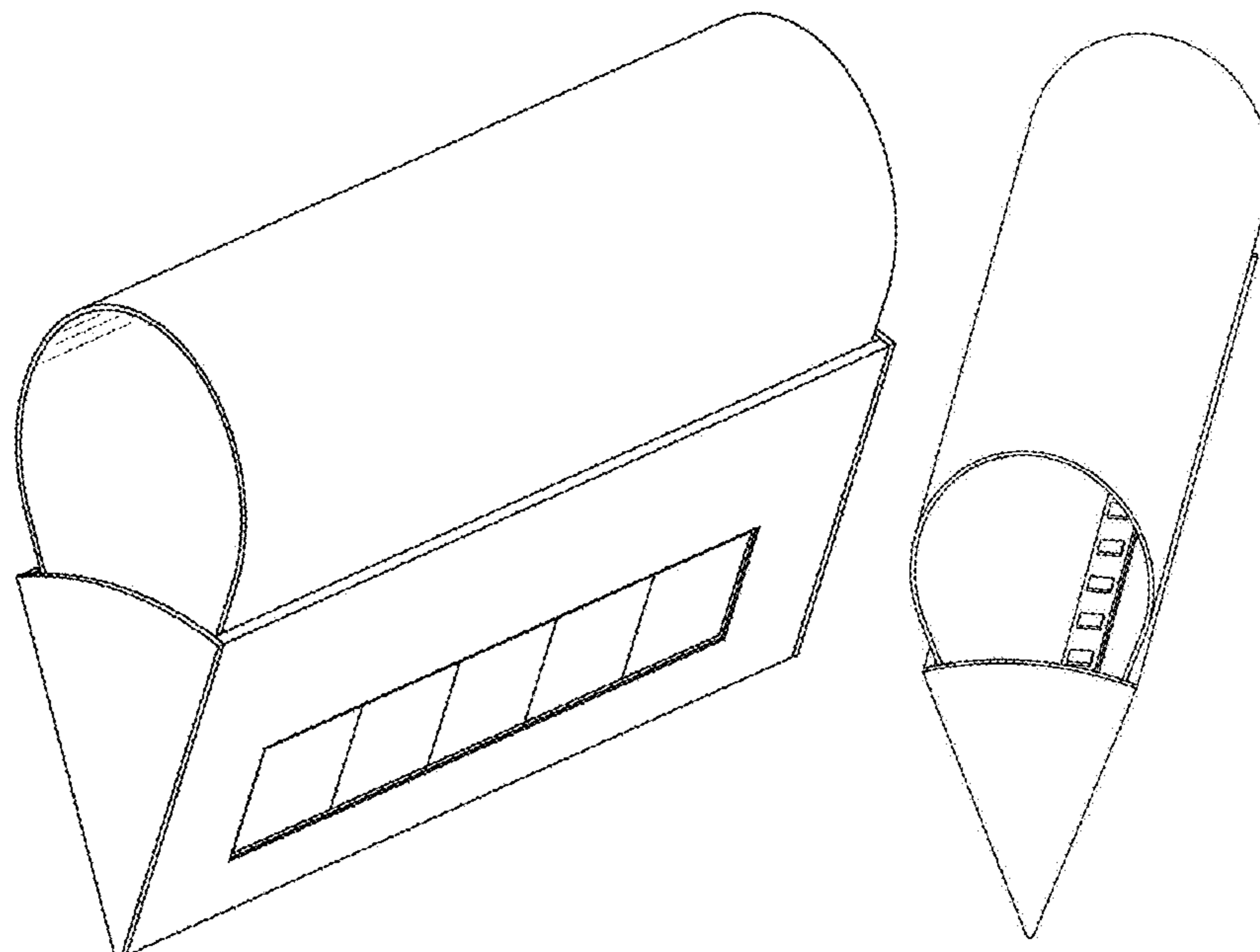
FIG. 5 is a right side view thereof;

FIG. 6 is a top view thereof;

FIG. 7 is a bottom view thereof; and,

FIG. 8 is a perspective view showing the internal light source inside thereof.

1 Claim, 7 Drawing Sheets



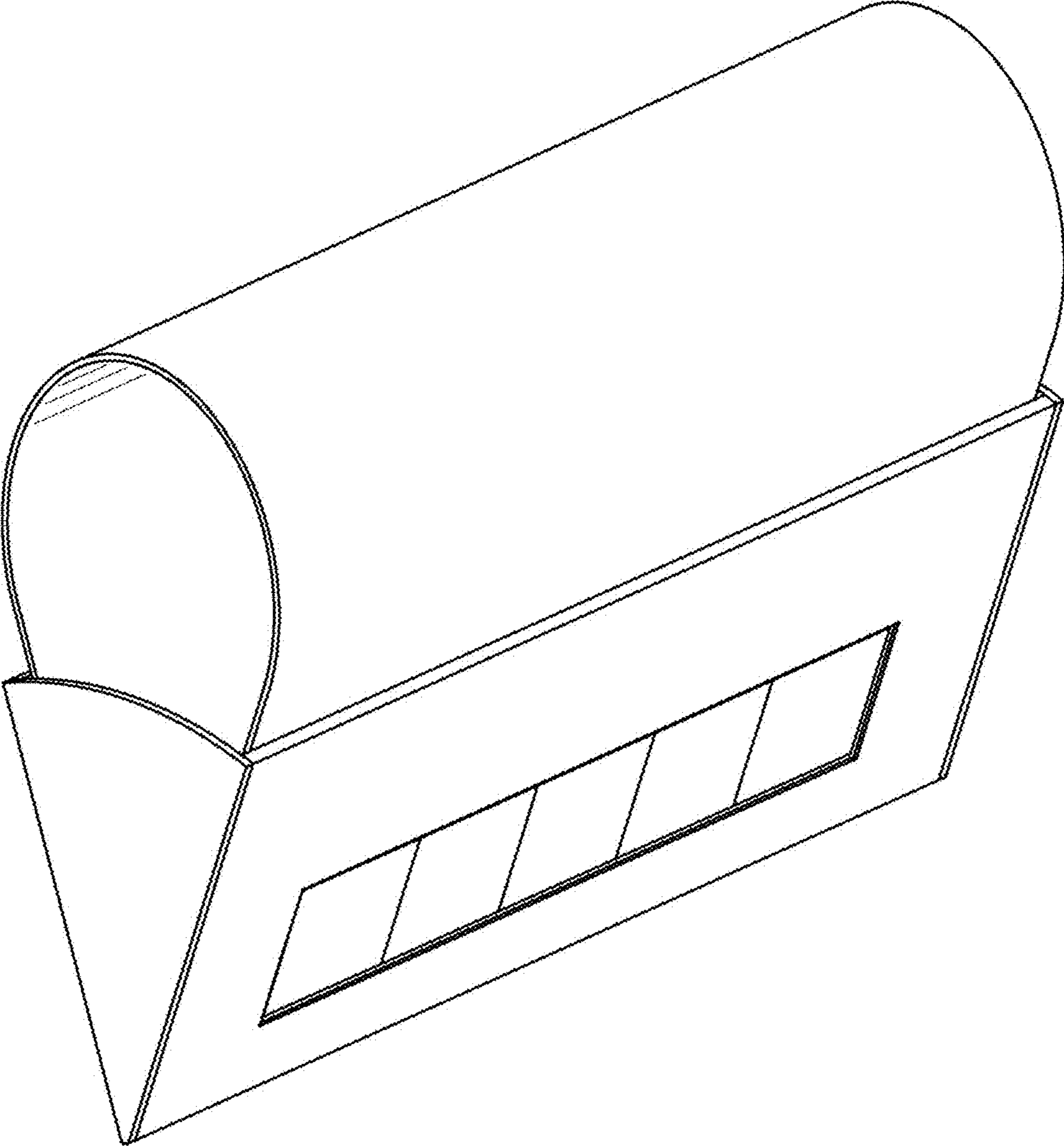


FIG. 1

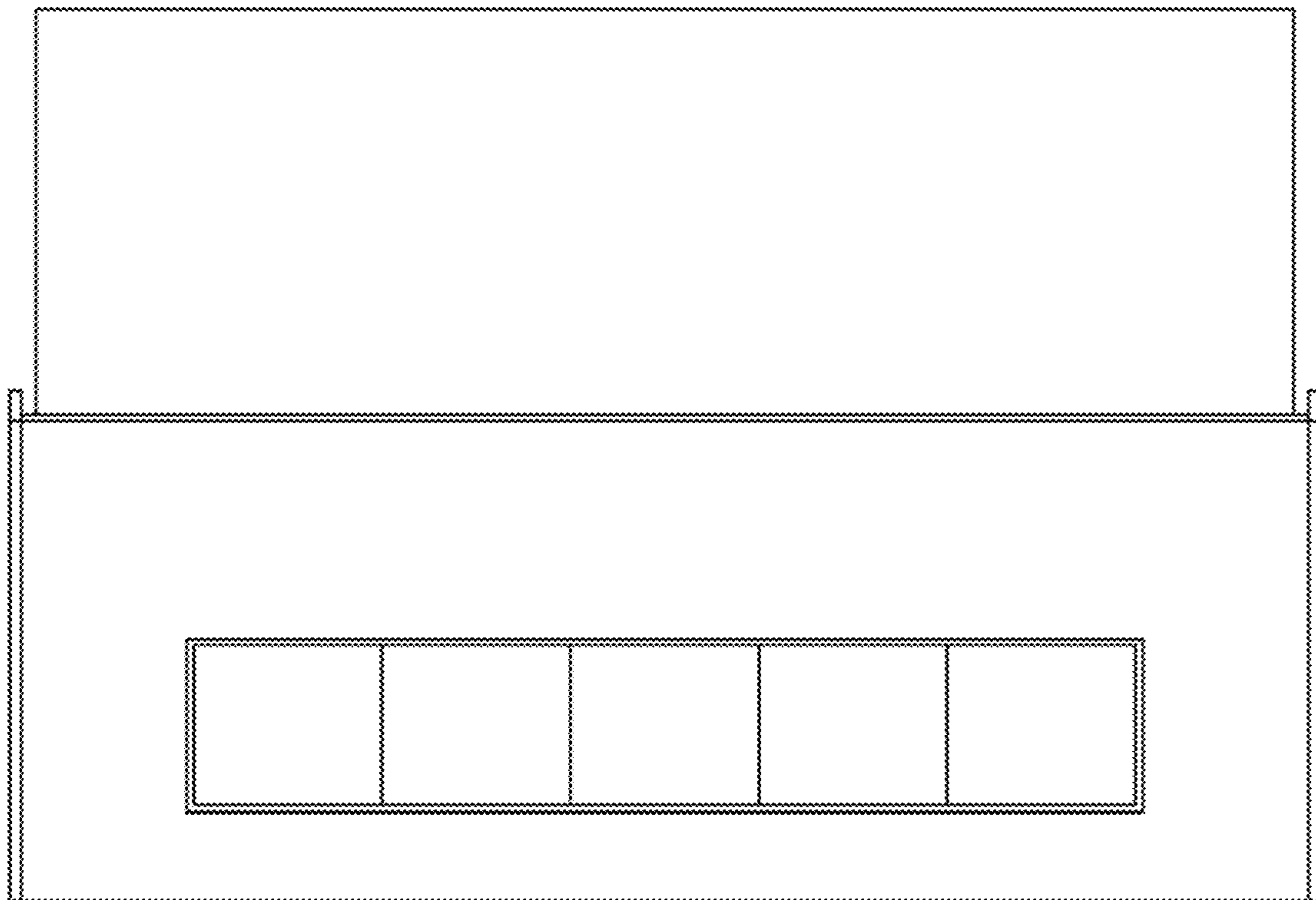


FIG. 2



FIG. 3

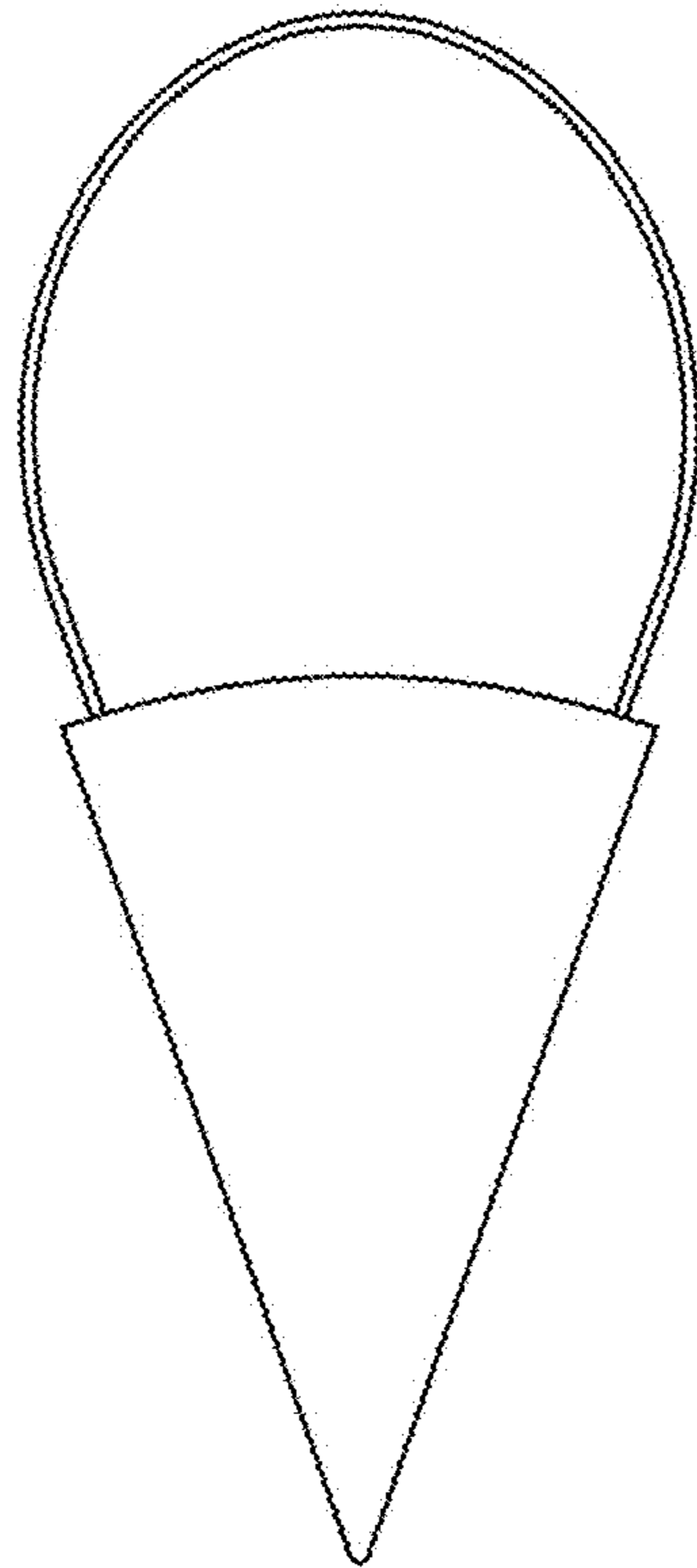


FIG. 4

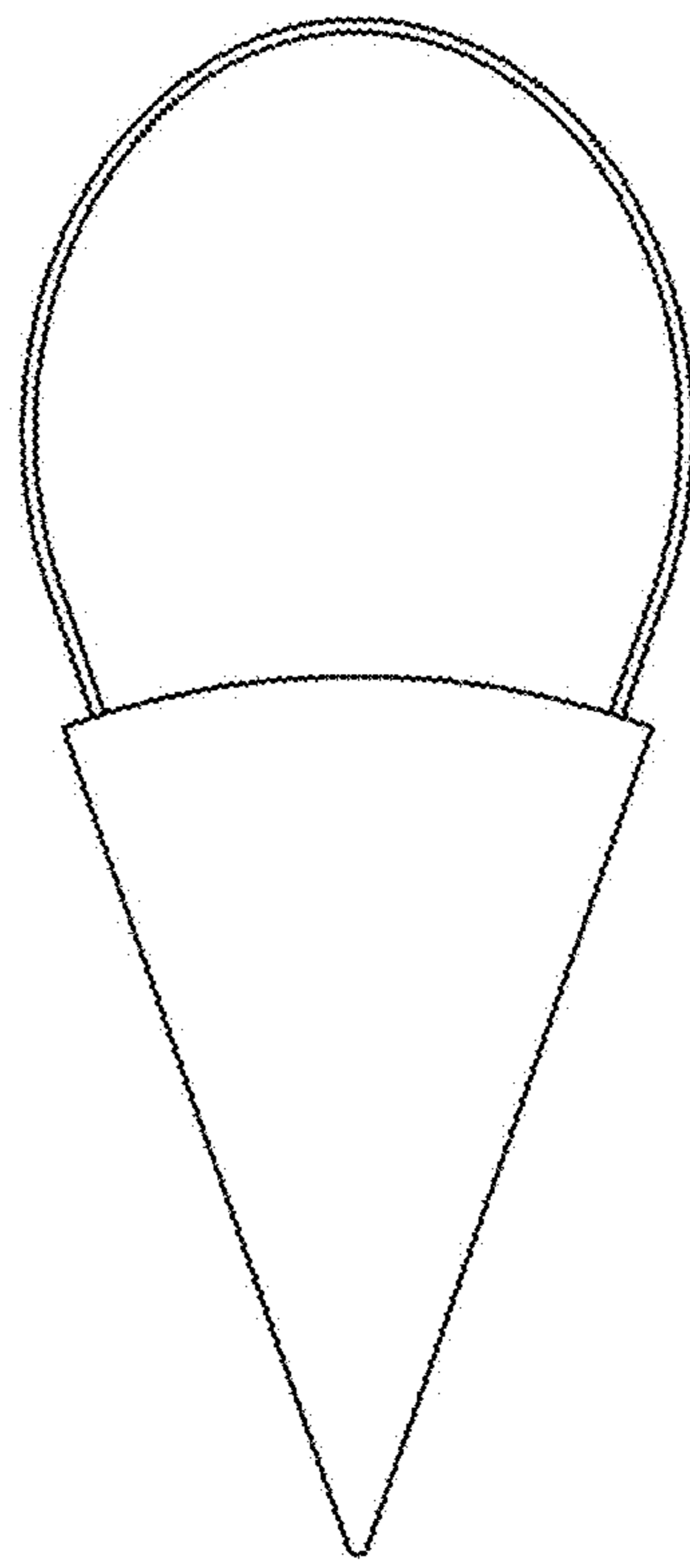


FIG. 5

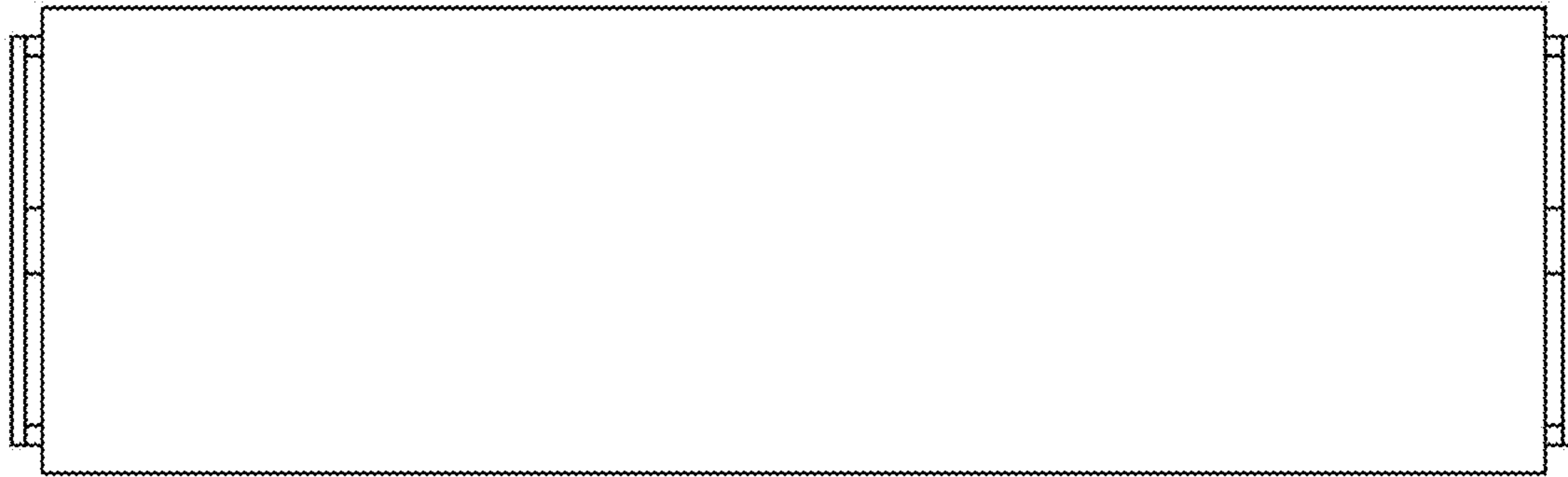


FIG. 6

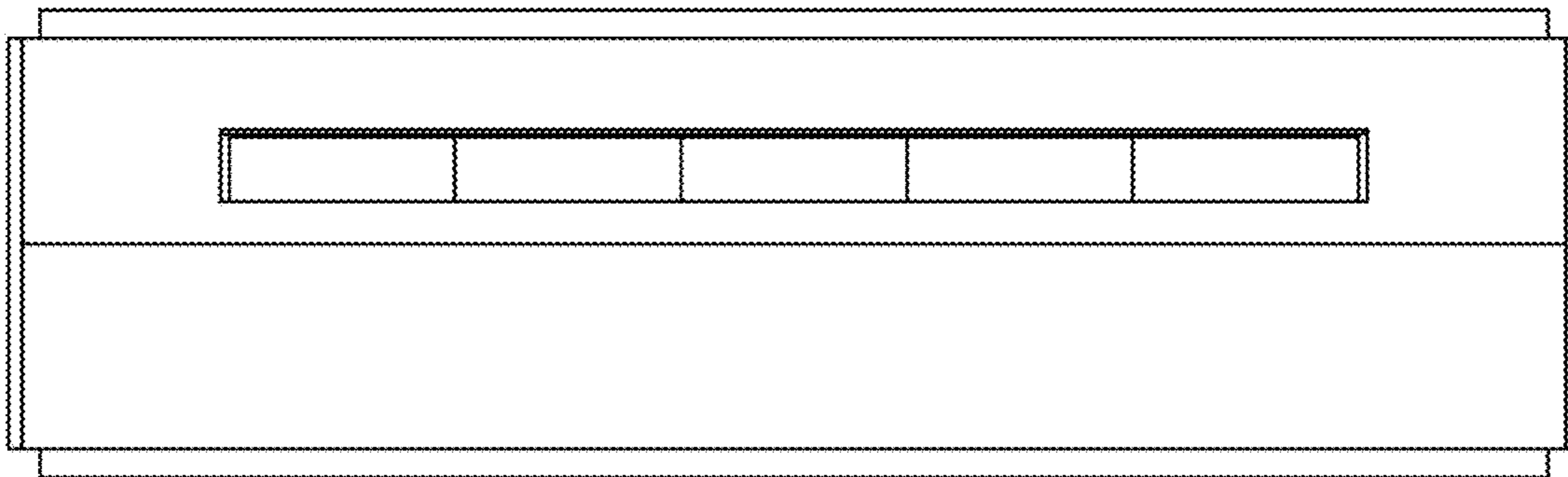


FIG. 7

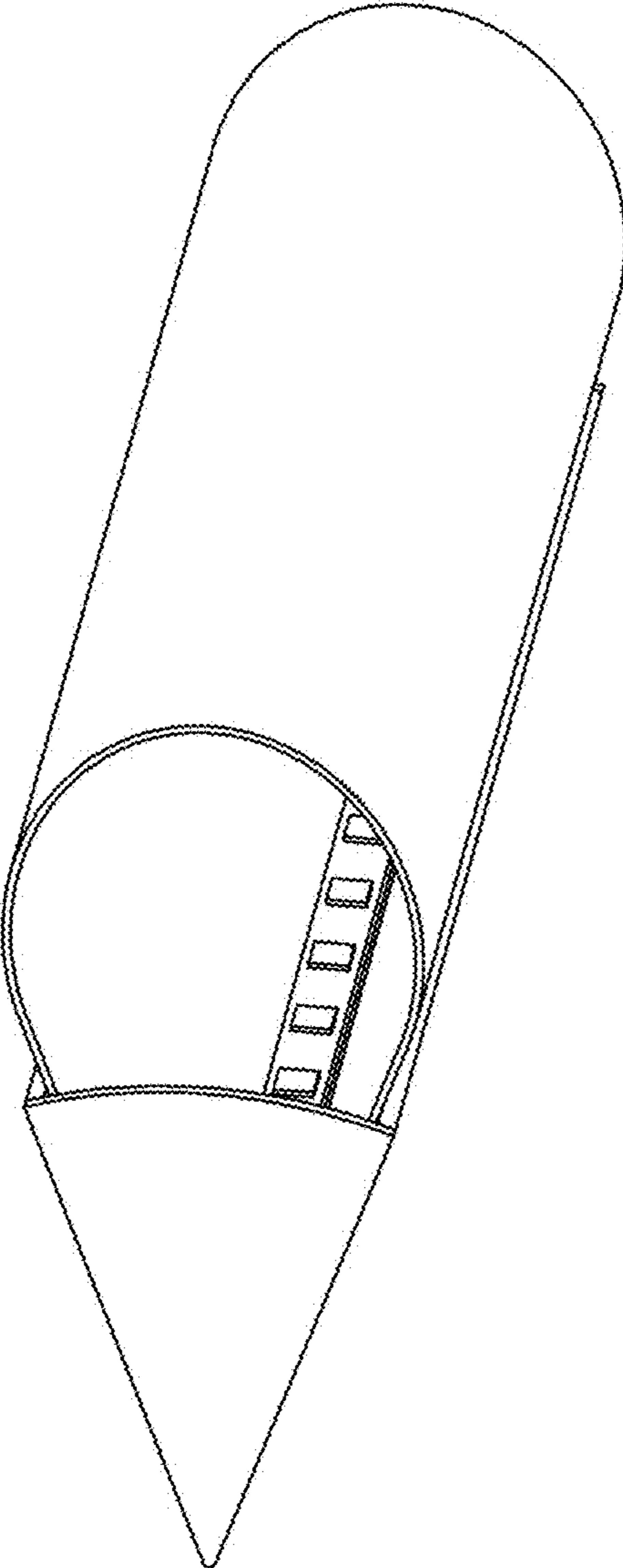


FIG. 8