



US00D957010S

(12) **United States Design Patent** (10) **Patent No.:** **US D957,010 S**
Li (45) **Date of Patent:** **** Jul. 5, 2022**

(54) **ELECTRONIC CANDLE**

(71) Applicant: **L&L Candle Company, LLC**, Brea, CA (US)

(72) Inventor: **Xiaofeng Li**, Shenzhen (CN)

(73) Assignee: **L&L Candle Company, LLC**, Brea, CA (US)

(**) Term: **15 Years**

(21) Appl. No.: **29/738,462**

(22) Filed: **Jun. 17, 2020**

(30) **Foreign Application Priority Data**

Dec. 17, 2019 (CN) 201930704025.3

(51) **LOC (13) Cl.** **26-05**

(52) **U.S. Cl.**
USPC **D26/26**

(58) **Field of Classification Search**

USPC D26/26, 24, 113, 118, 119, 120, 5, 96;
D23/366, 367, 369; 362/640, 641, 642,
362/643, 644, 650, 651, 652, 653, 659
CPC F21S 8/035; F21V 23/06; F21V 23/0442;
F21W 2121/00; H01R 2103/00

See application file for complete search history.

(56) **References Cited**

U.S. PATENT DOCUMENTS

D231,854 S * 6/1974 Martin et al. D26/26
D426,904 S * 6/2000 Simon D26/26

D429,352 S * 8/2000 Weinstein D26/26
D602,615 S * 10/2009 Liu D13/108
D729,424 S * 5/2015 Li D26/26
D760,424 S * 6/2016 Li D26/96
9,585,980 B1 3/2017 Li
D812,255 S * 3/2018 Li D26/26
10,251,967 B1 * 4/2019 Wang A61L 9/03
D900,350 S * 10/2020 Ding D26/5
2003/0076680 A1 * 4/2003 Stekelenburg H01R 24/68
362/276
2017/0067608 A1 * 3/2017 Patton A61L 9/122
2017/0159900 A1 * 6/2017 Gerson H05B 47/19
2018/0031219 A1 * 2/2018 Li F21V 9/40

* cited by examiner

Primary Examiner — Angela J Lee

(74) *Attorney, Agent, or Firm* — Perkins Coie LLP

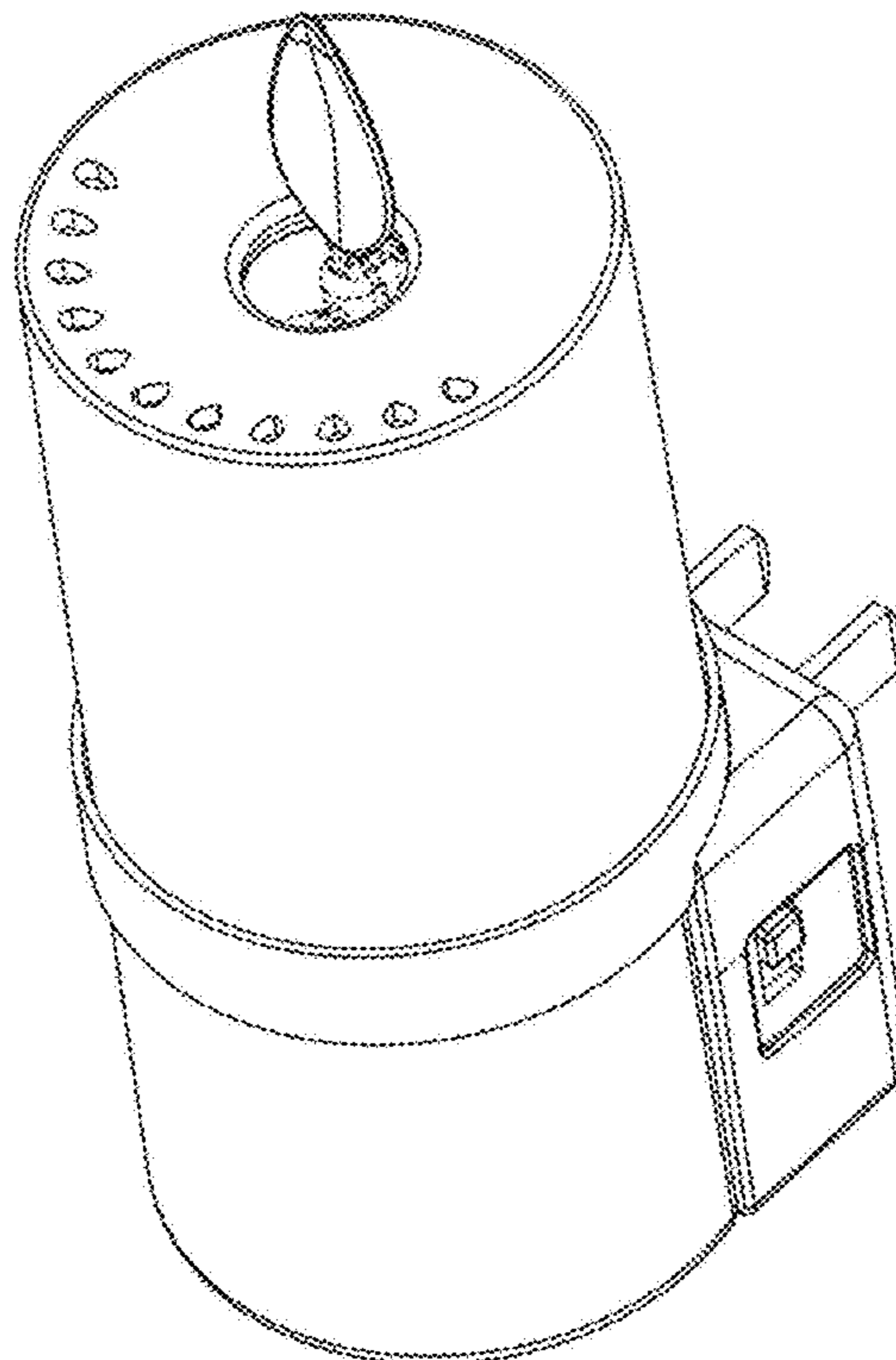
(57) **CLAIM**

The ornamental design for an electronic candle, as shown and described.

DESCRIPTION

FIG. 1 is an isometric view of a first embodiment of an electronic candle;
FIG. 2 is a front view of the electronic candle of FIG. 1;
FIG. 3 is a back view of the electronic candle of FIG. 1;
FIG. 4 is a left view of the electronic candle of FIG. 1;
FIG. 5 is a right view of the electronic candle of FIG. 1;
FIG. 6 is a top view of the electronic candle of FIG. 1; and,
FIG. 7 is a bottom view of the electronic candle of FIG. 1.
The broken-line disclosure represents portions of the scented electronic candle which form no part of the claimed design.

1 Claim, 7 Drawing Sheets



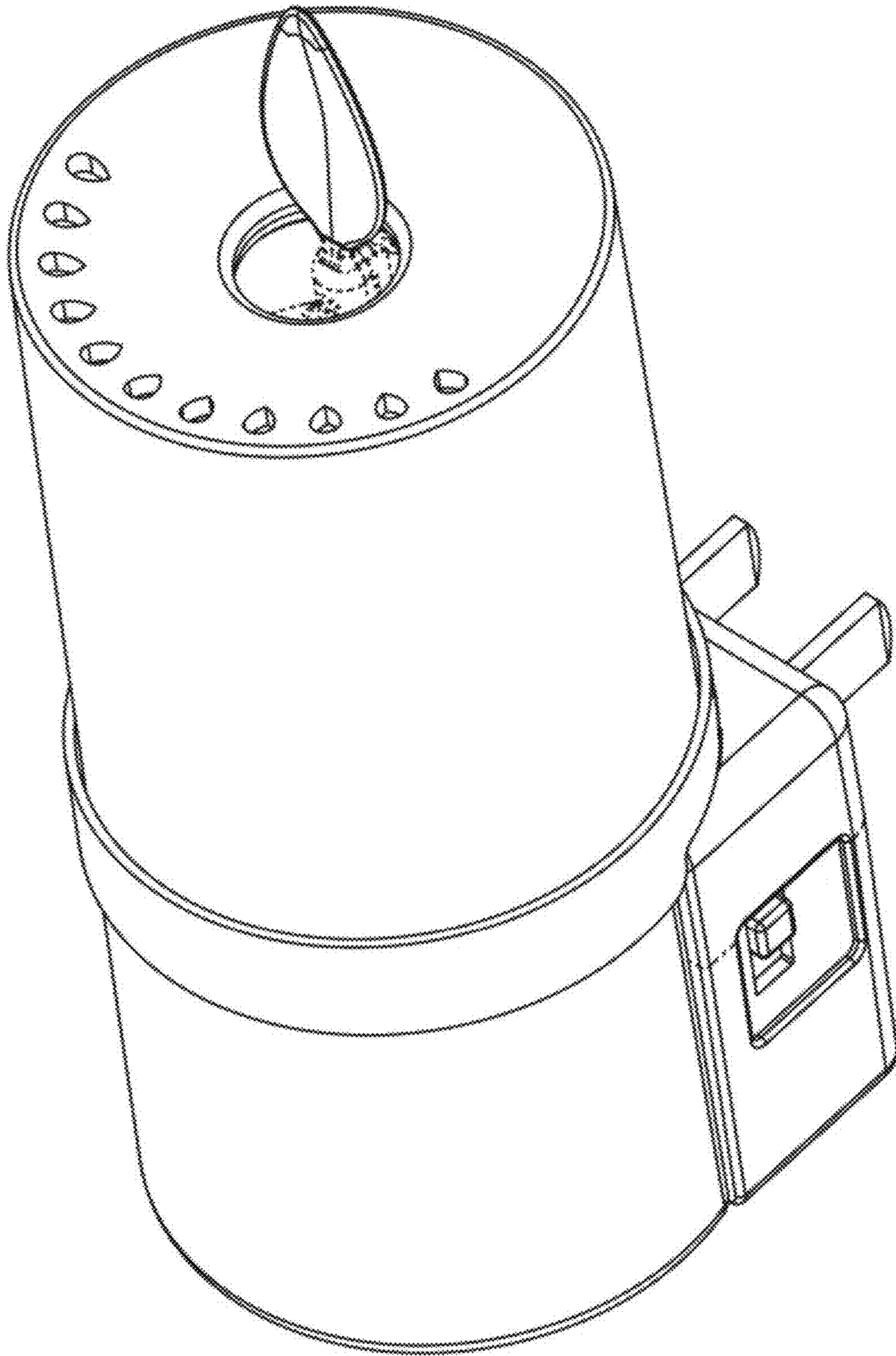


FIG. 1

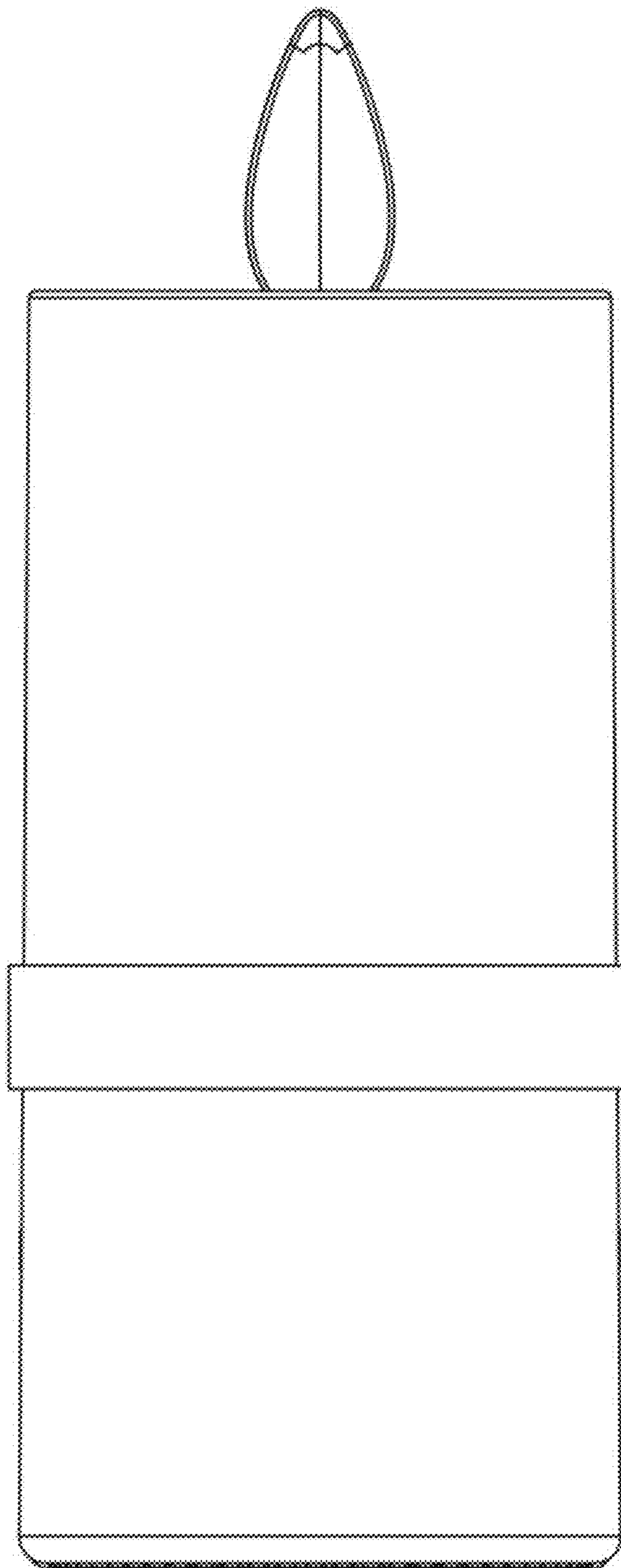


FIG. 2

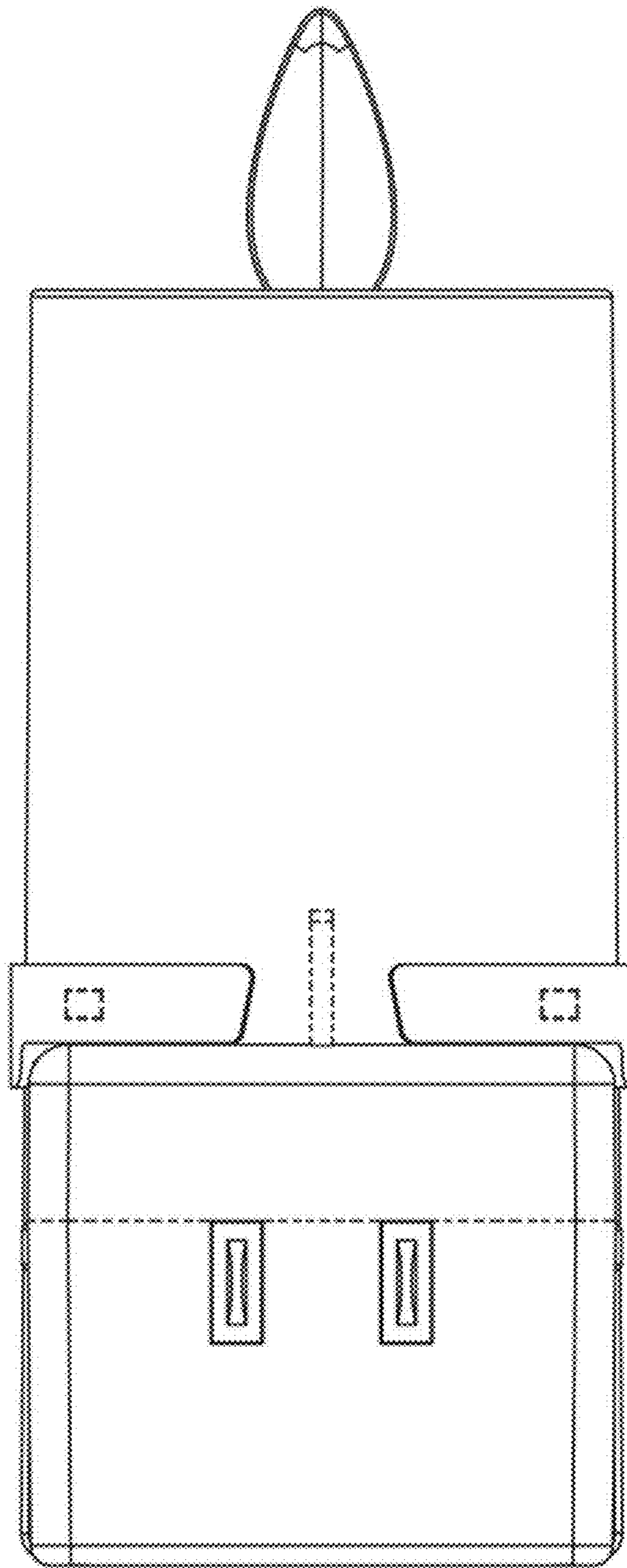


FIG. 3

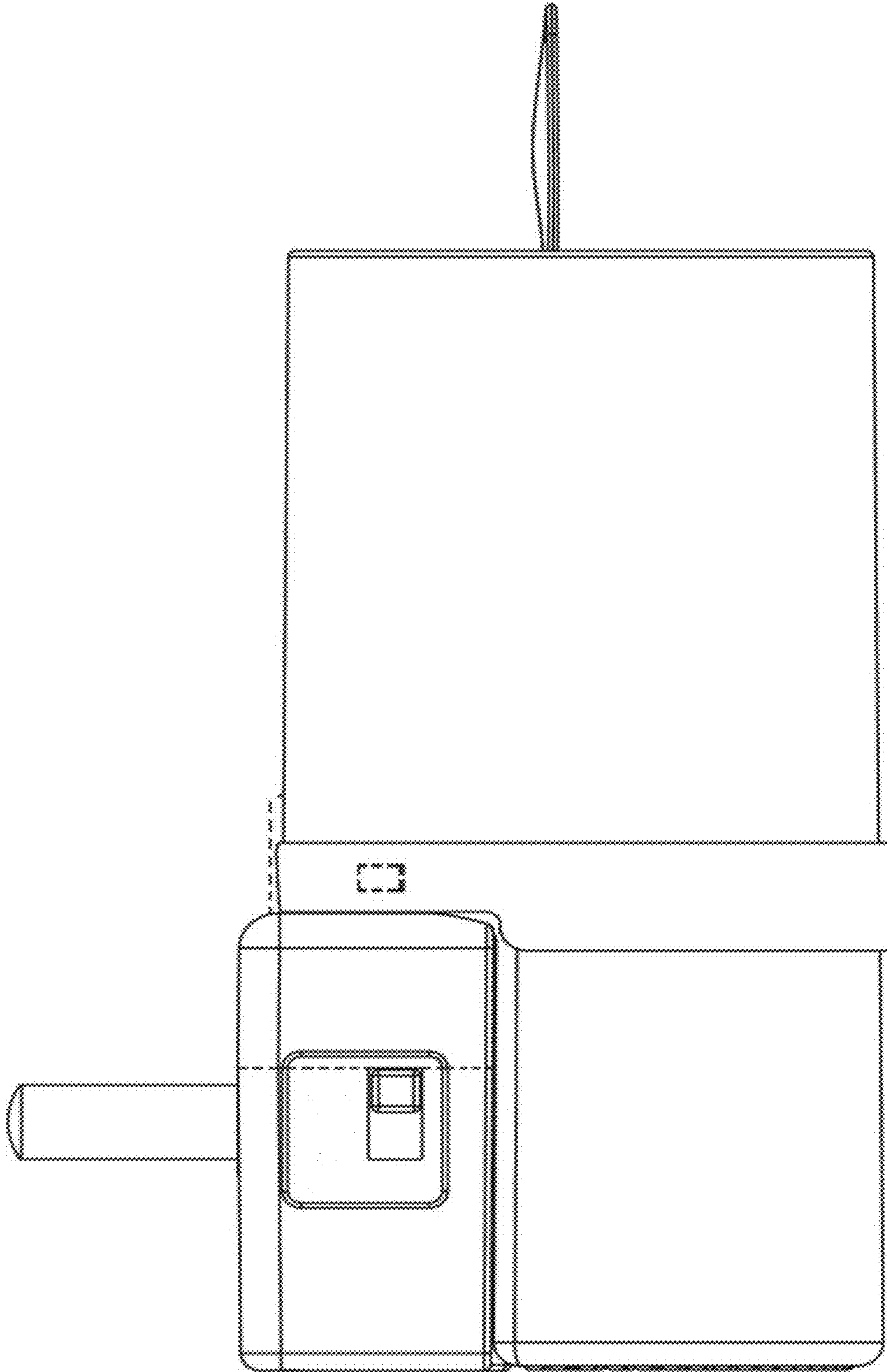


FIG. 4

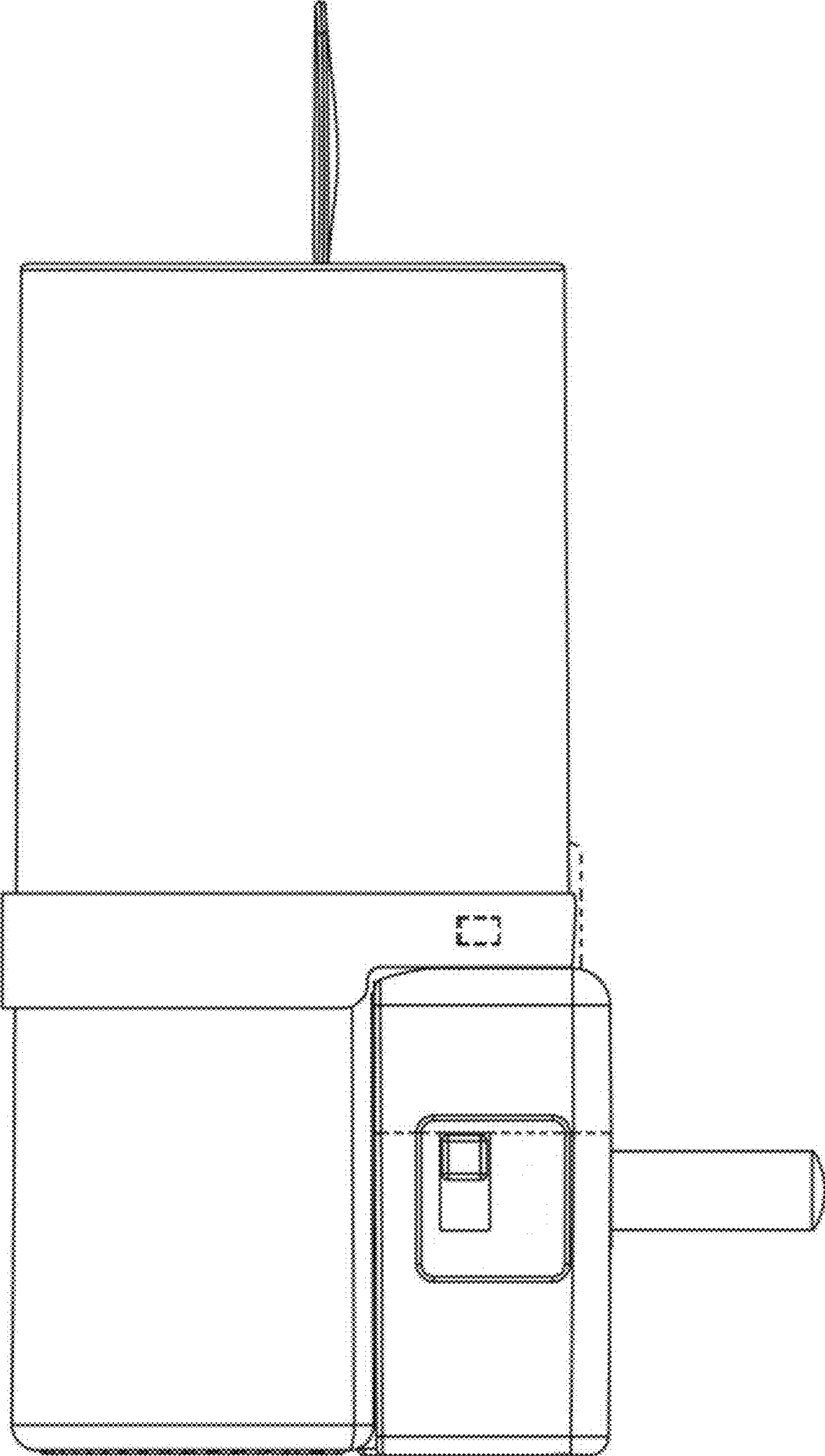


FIG. 5

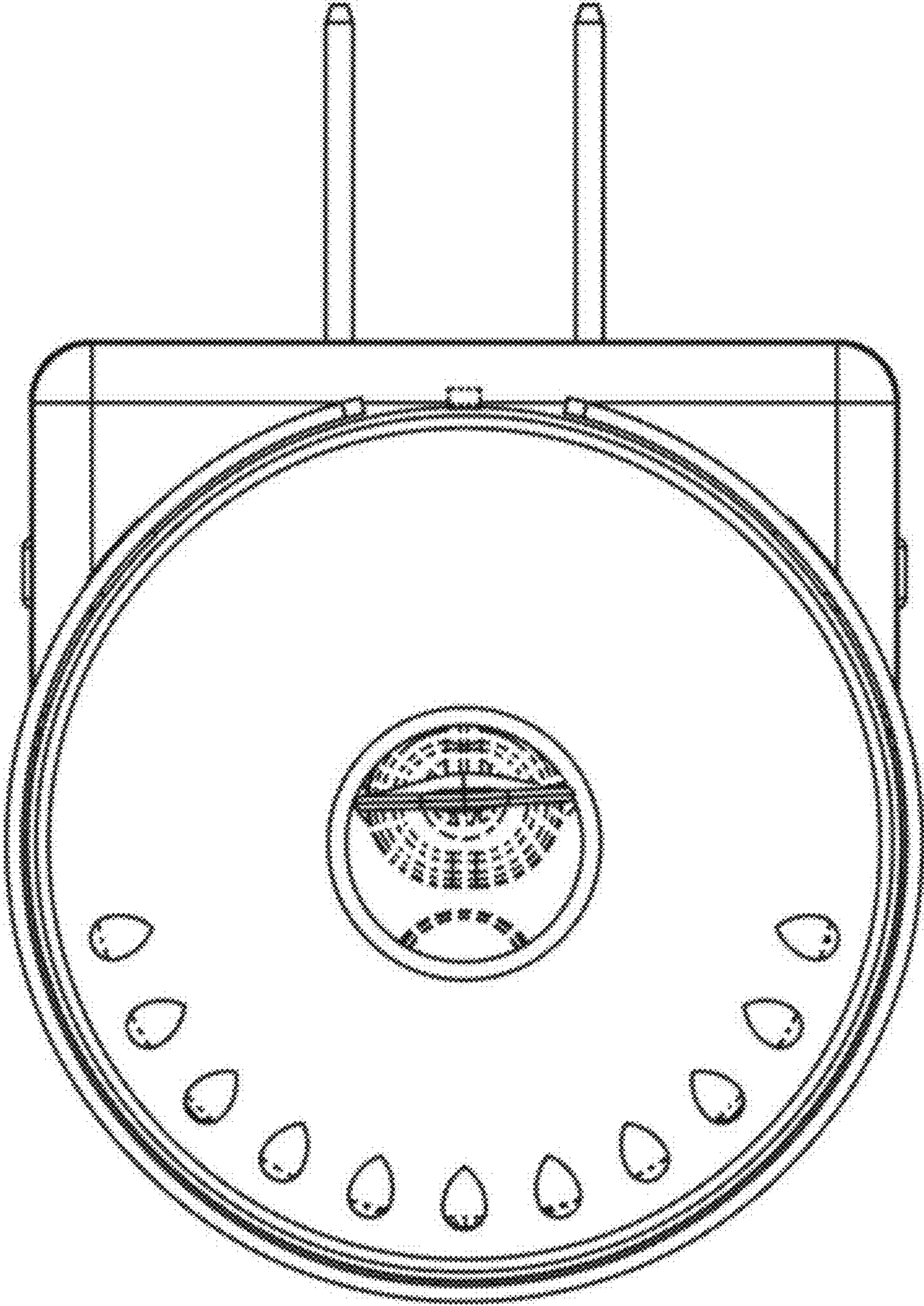


FIG. 6

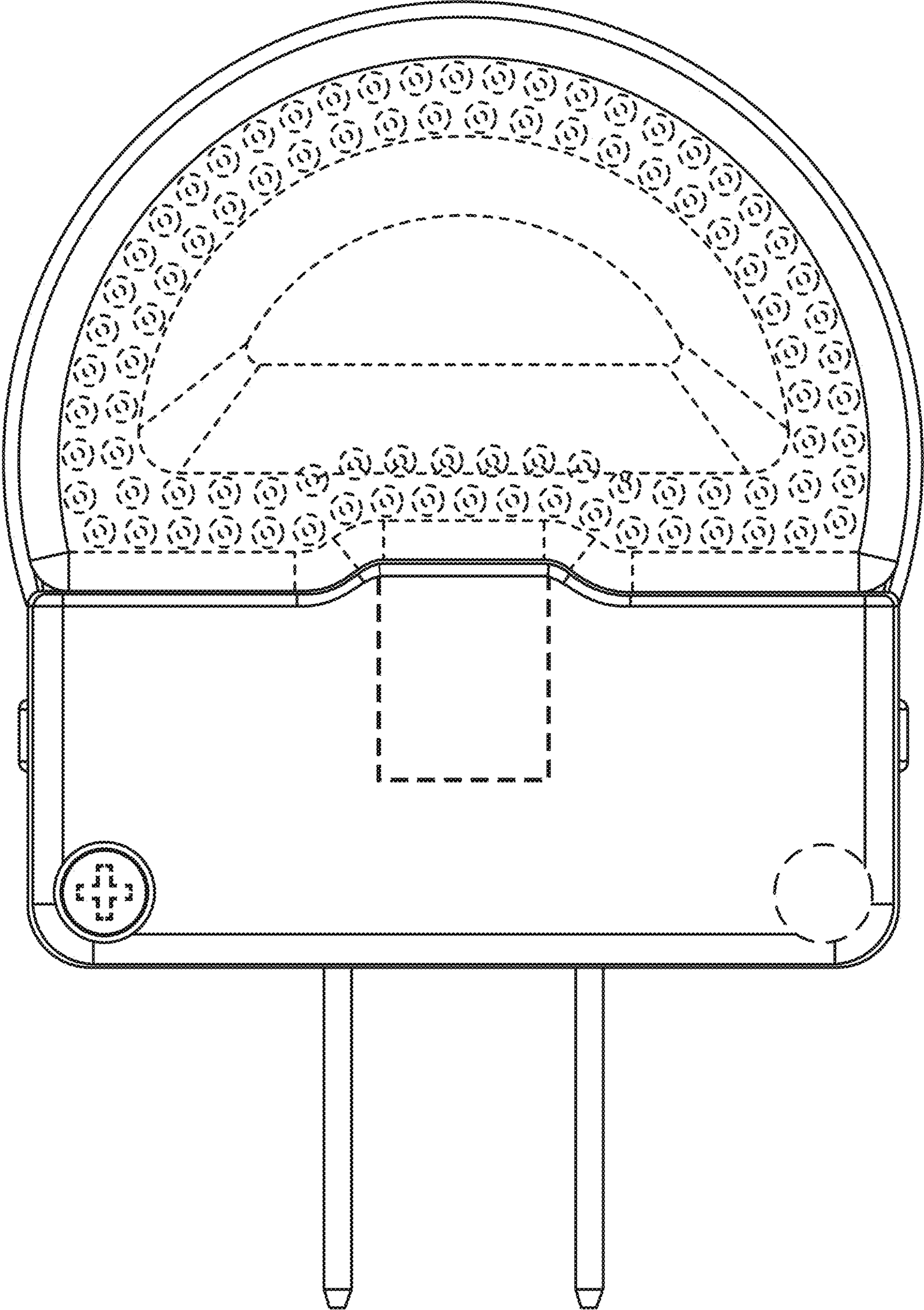


FIG. 7