



US00D957007S

(12) **United States Design Patent**  
**Schofield et al.**

(10) **Patent No.:** **US D957,007 S**  
(45) **Date of Patent:** **\*\* Jul. 5, 2022**

- (54) **ROOF PANEL CLOSURE PLATE**
- (71) Applicant: **Schofield Technologies, Inc.**, Dearborn, MI (US)
- (72) Inventors: **William Schofield**, Dearborn, MI (US);  
**Daniel Scott Cannon**, Grand Haven, MI (US)
- (73) Assignee: **Schofield Technologies, Inc.**, Dearborn, MI (US)
- (\*\*) Term: **15 Years**
- (21) Appl. No.: **29/766,538**
- (22) Filed: **Jan. 15, 2021**
- (51) **LOC (13) Cl.** ..... **25-01**
- (52) **U.S. Cl.**  
USPC ..... **D25/139**
- (58) **Field of Classification Search**  
USPC ..... D25/138, 139  
CPC ..... E04D 13/15; E04D 13/151; E04D 13/158;  
E04D 13/1585; E04D 2001/301  
See application file for complete search history.

- 8,656,681 B1 \* 2/2014 Iannelli ..... E04D 13/158  
52/745.21
- D763,469 S \* 8/2016 Mort ..... D25/139
- 2001/0017010 A1 \* 8/2001 Barry ..... E04D 13/1585  
52/93.2
- 2005/0257443 A1 \* 11/2005 Lin ..... E04D 13/15  
52/97
- 2007/0266657 A1 \* 11/2007 Gembala ..... E04D 13/15  
52/288.1

\* cited by examiner

*Primary Examiner* — Doris Clark

(74) *Attorney, Agent, or Firm* — Quinn IP Law

(57) **CLAIM**

The ornamental design for a roof panel closure plate, as shown and described.

**DESCRIPTION**

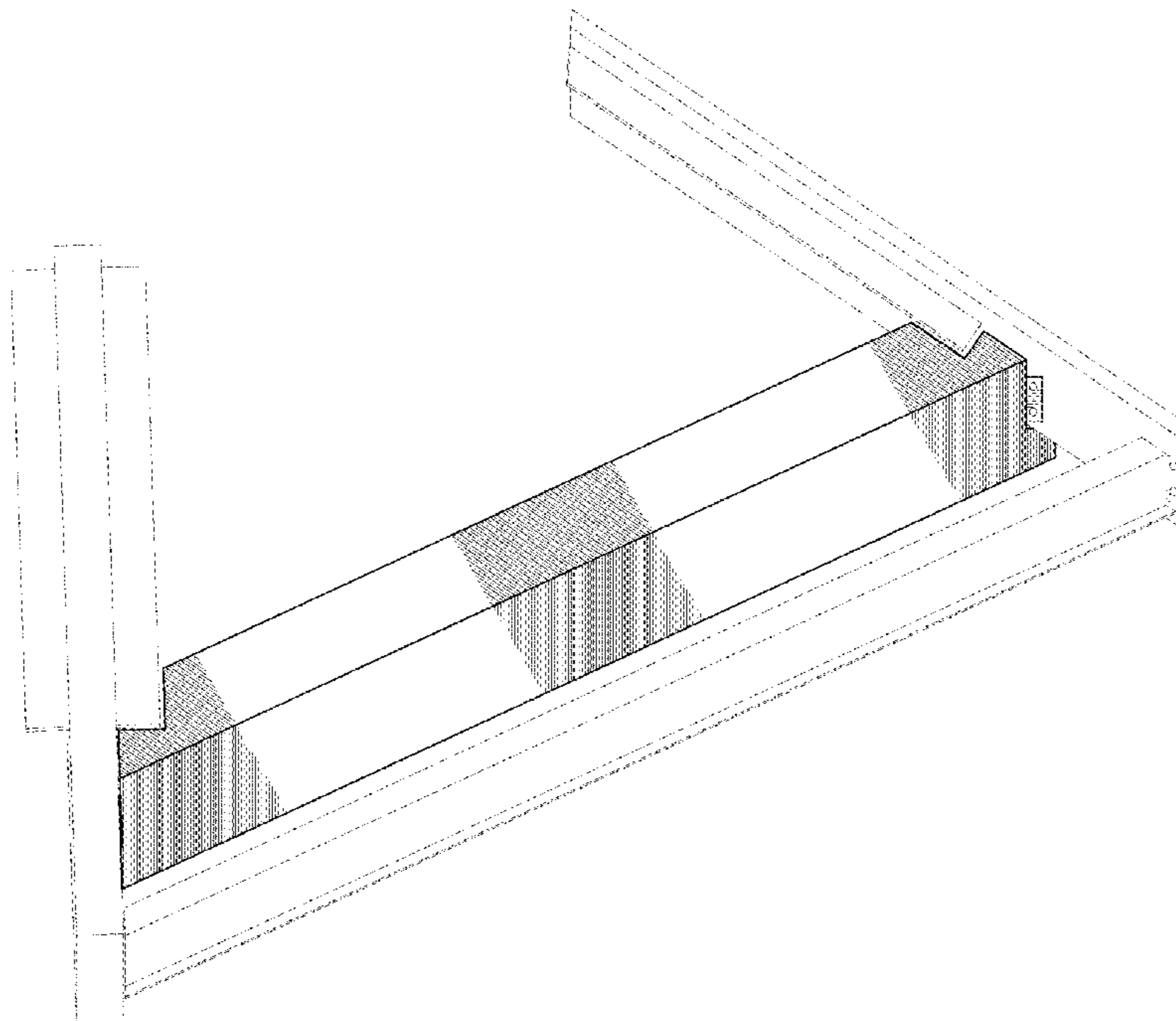
FIG. 1 is a perspective view of a roof panel closure plate in an installed environment;  
 FIG. 2 is a front perspective view of the roof panel closure plate of FIG. 1;  
 FIG. 3 is a rear perspective view of the roof panel closure plate of FIG. 1;  
 FIG. 4 is a left-side view of the roof panel closure plate of FIG. 1;  
 FIG. 5 is a right-side view of the roof panel closure plate of FIG. 1;  
 FIG. 6 is a top view of the roof panel closure plate of FIG. 1; and,  
 FIG. 7 is a bottom view of the roof panel closure plate of FIG. 1.  
 The broken lines represent structure or features that form no part of the claimed design.

**1 Claim, 7 Drawing Sheets**

(56) **References Cited**

U.S. PATENT DOCUMENTS

- 4,339,898 A \* 7/1982 Pichette ..... E04D 13/158  
52/278
- 4,509,302 A \* 4/1985 Donatelli ..... E04D 3/28  
52/82
- D331,812 S \* 12/1992 Bunger ..... D25/139
- 5,426,899 A \* 6/1995 Jones ..... E04B 7/14  
52/63
- D568,496 S \* 5/2008 Trabue ..... D25/139
- D599,038 S \* 8/2009 Henriquez ..... D25/138



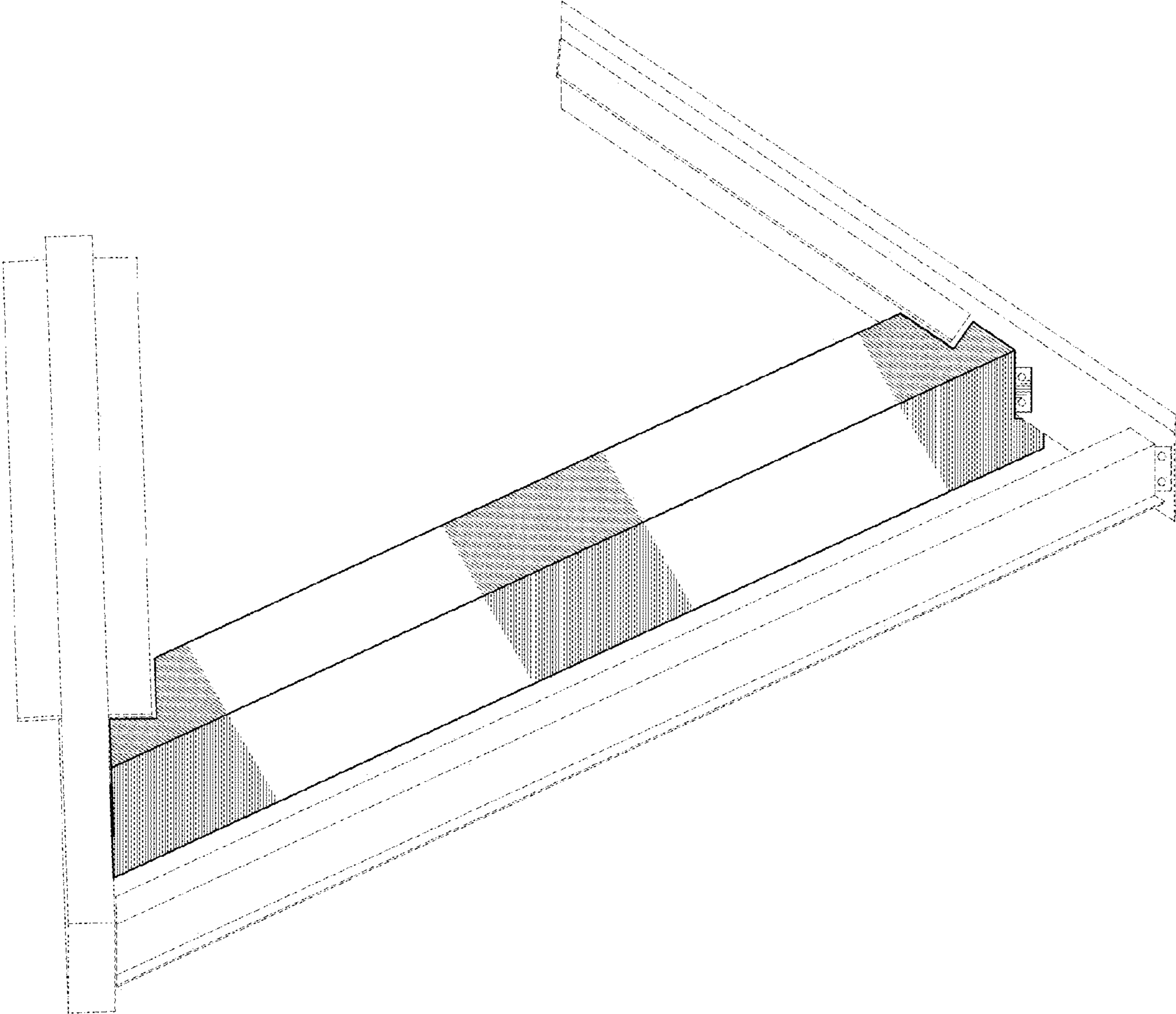


Fig. 1

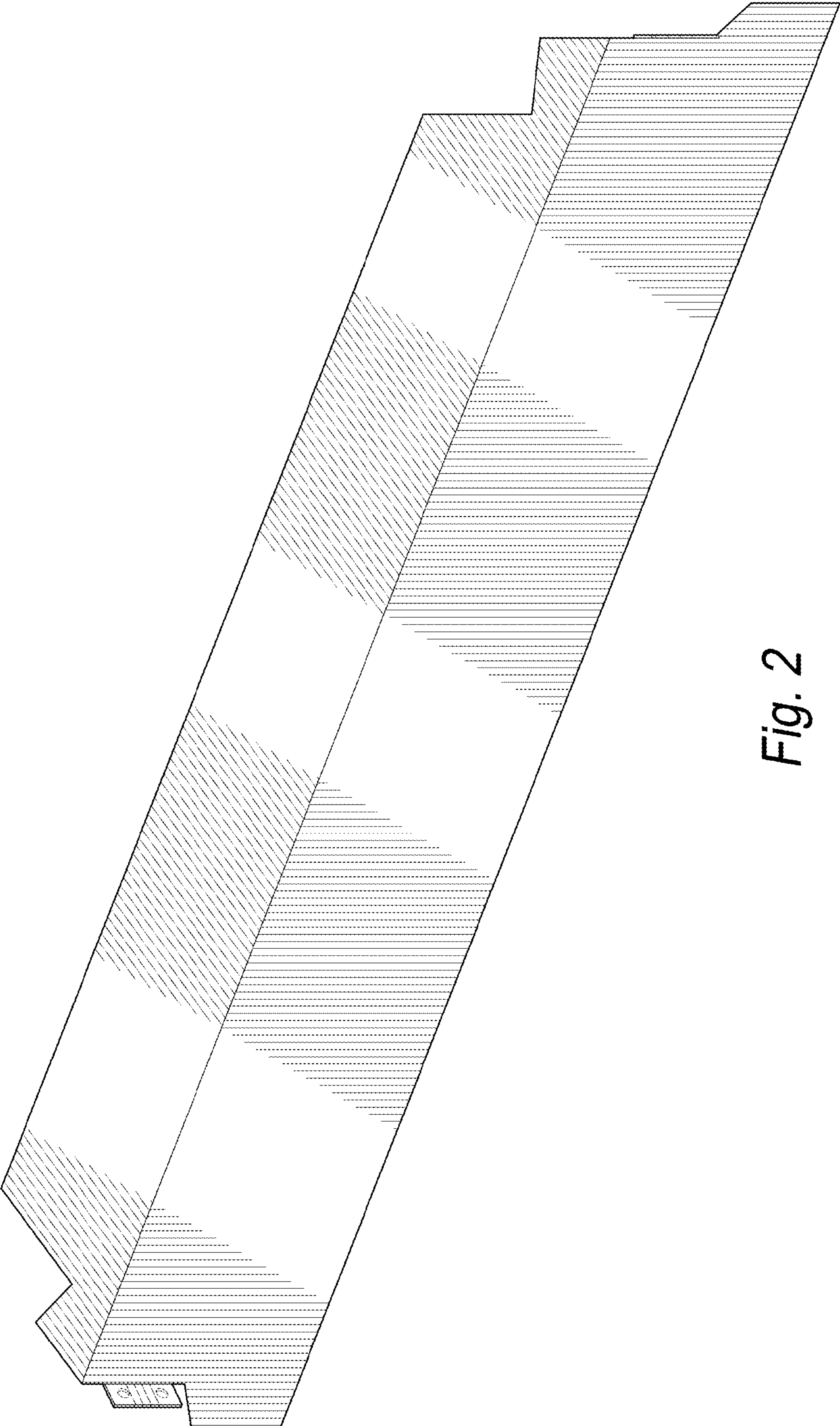


Fig. 2

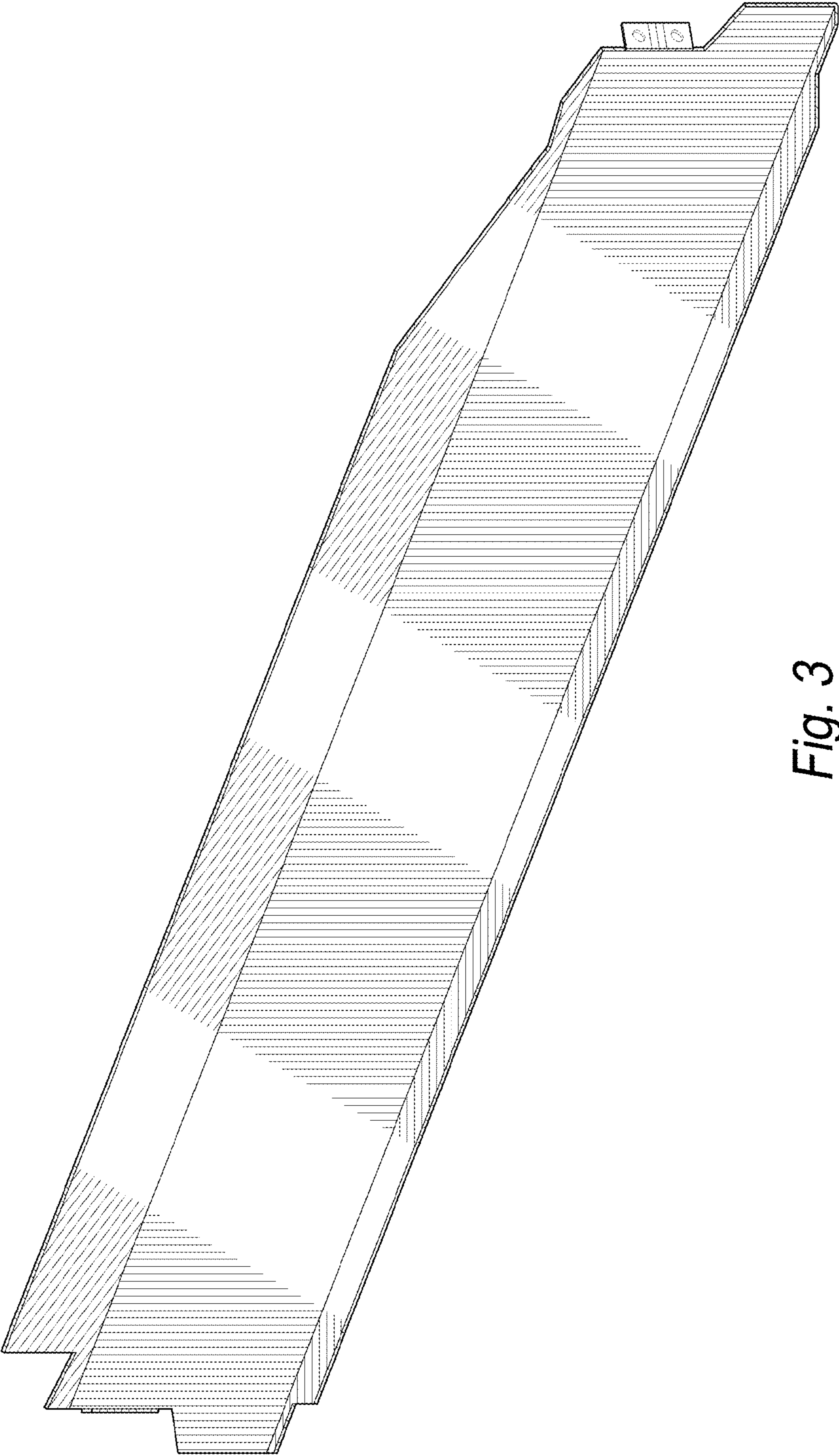
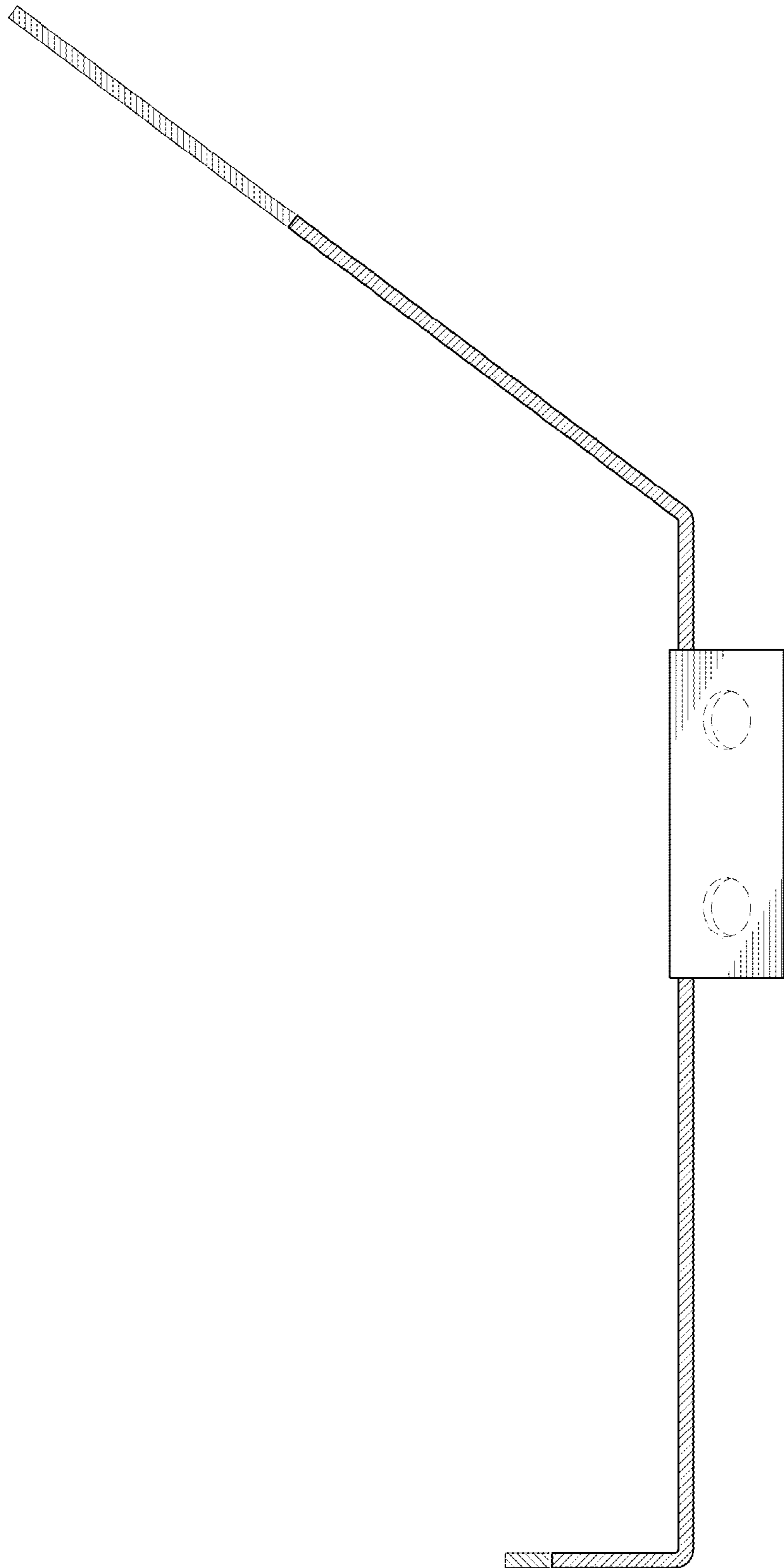
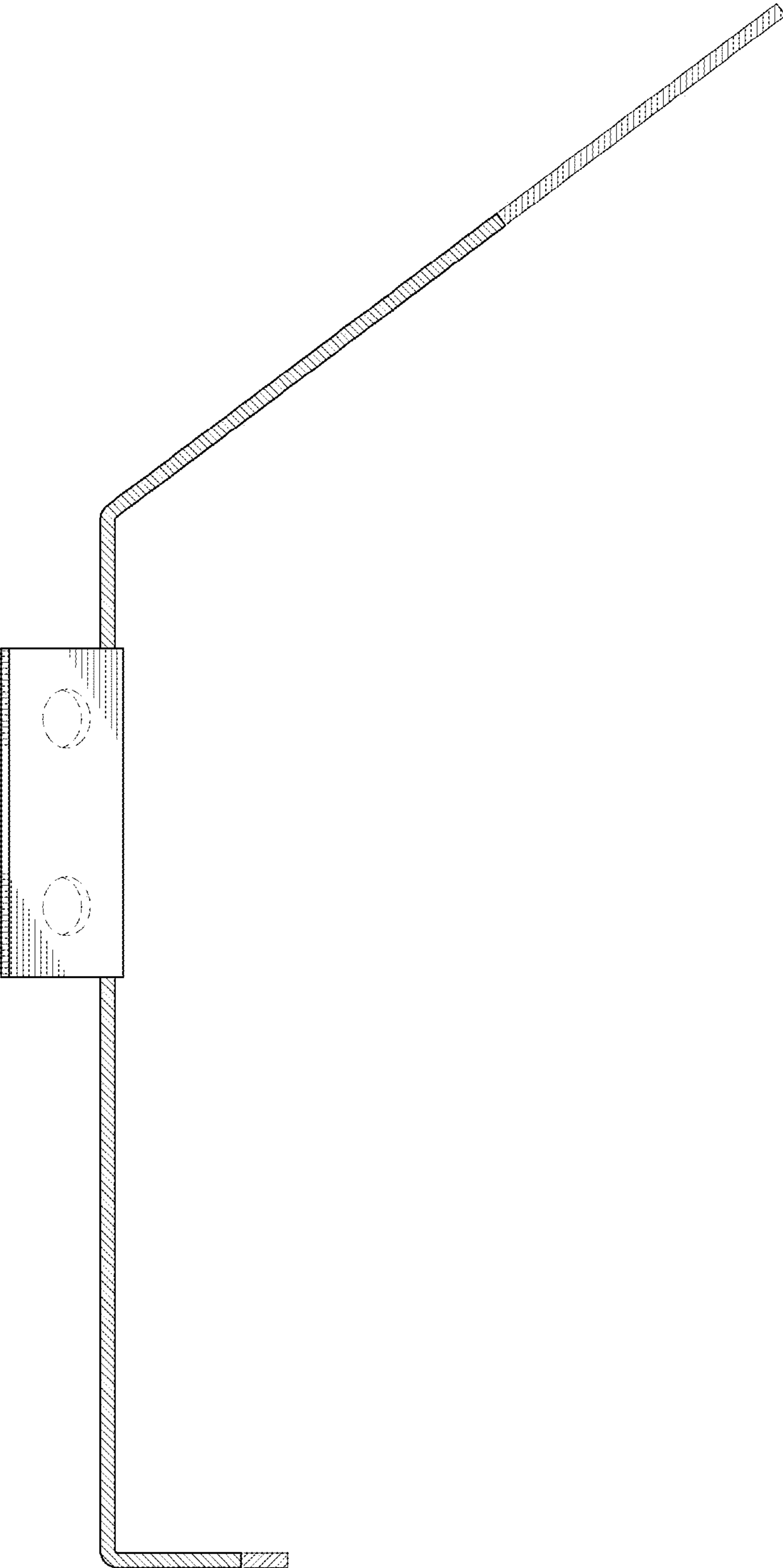


Fig. 3



*Fig. 4*



*Fig. 5*

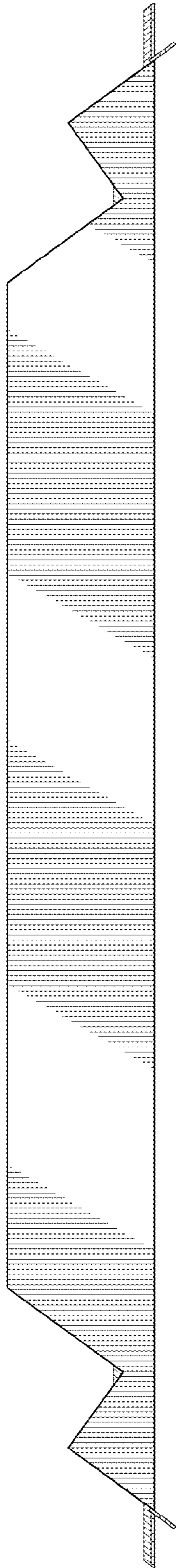


Fig. 6

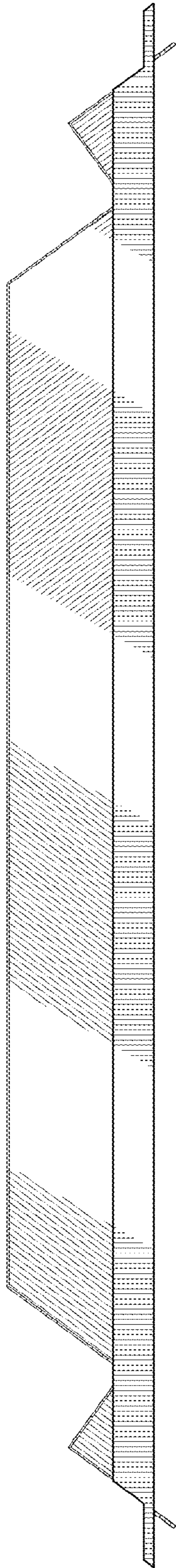


Fig. 7